

Status: This is the original version (as it was originally made). This item of legislation is currently only available in its original format.

SCHEDULE

Regulations 2, 8, 16, 18 and 20

(Note: the diagrams are not to scale)

Diagram A – Reference Wheelchair

Diagram A – Reference Wheelchair

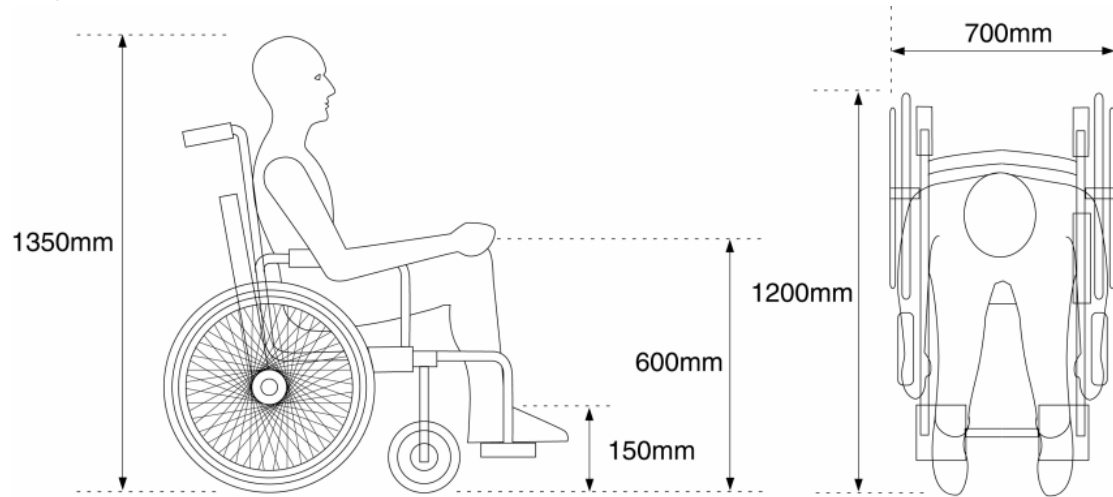


Diagram A - Reference Wheelchair

Status: This is the original version (as it was originally made). This item of legislation is currently only available in its original format.

Priority Seats

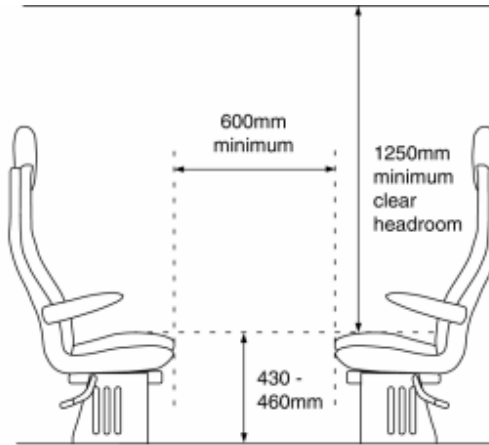


Diagram B3 - Facing seats

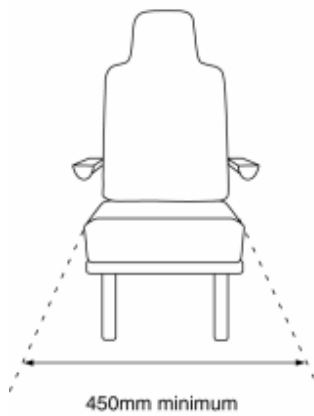


Diagram B1 - Seat cushion width

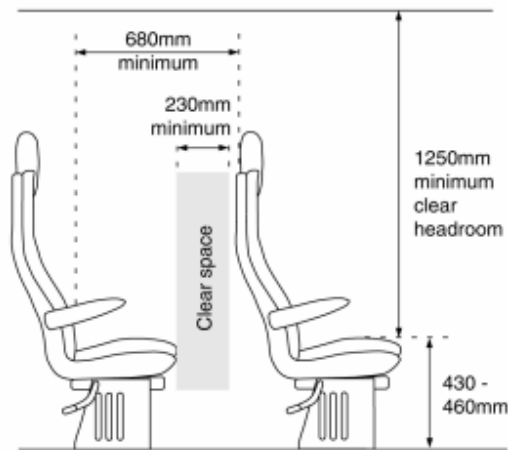


Diagram B2

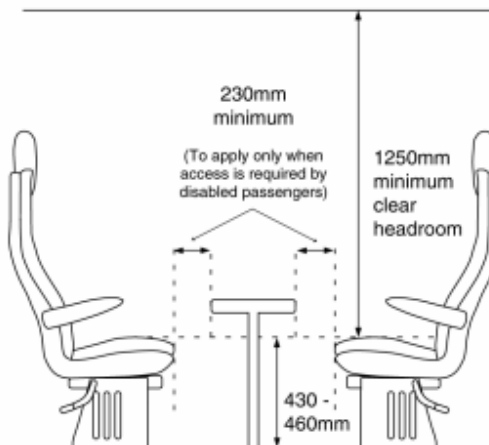


Diagram B4 - Facing seats with table

Status: This is the original version (as it was originally made). This item of legislation is currently only available in its original format.

Diagram C – Wheelchair Symbol
Diagram C – Wheelchair Symbol

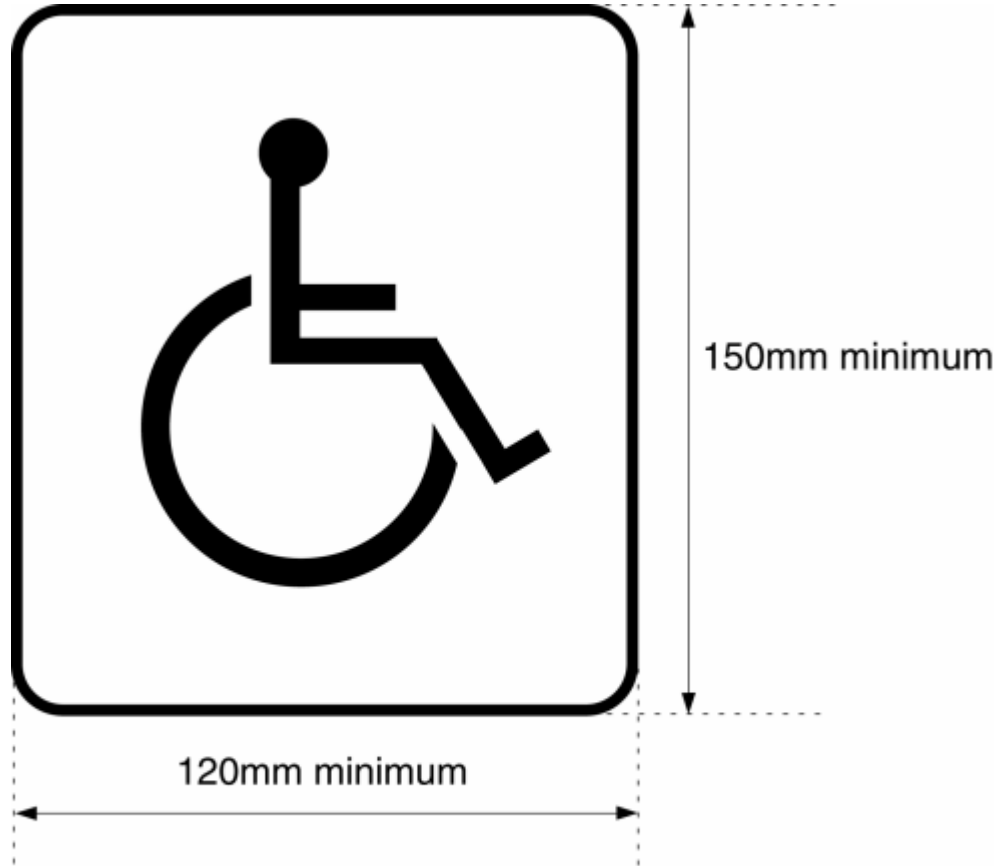


Diagram C -
Wheelchair Symbol

Status: This is the original version (as it was originally made). This item of legislation is currently only available in its original format.

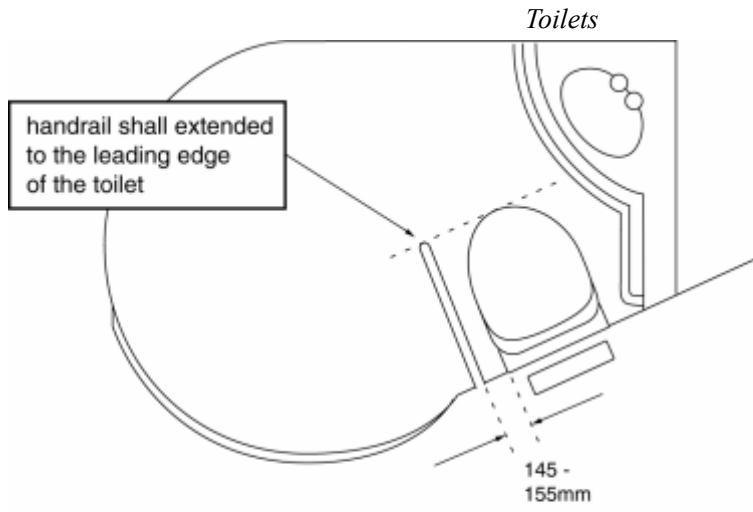


Diagram D1 - Hinged handrail

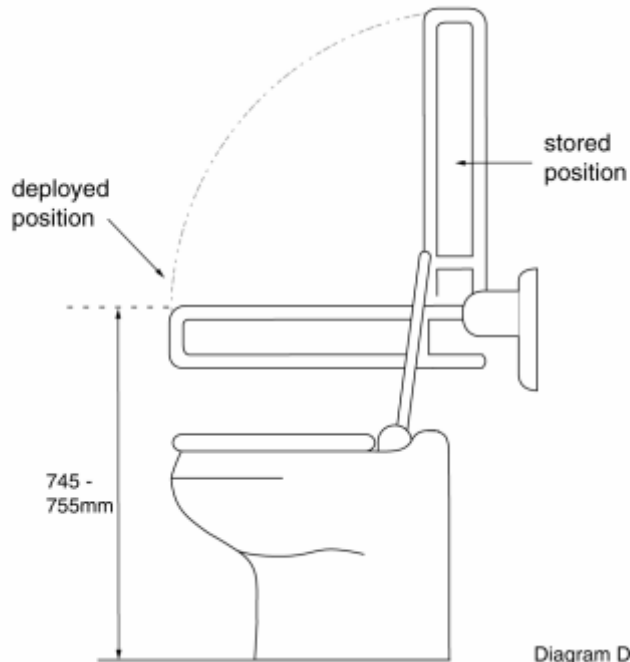


Diagram D2 - Hinged handrail