

Status: This is the original version (as it was originally made). This item of legislation is currently only available in its original format.

SCHEDULE 13

INFORMATION TO BE DISPLAYED DURING CARRIAGE

PART III

SYMBOLS, SIGNS AND PANELS

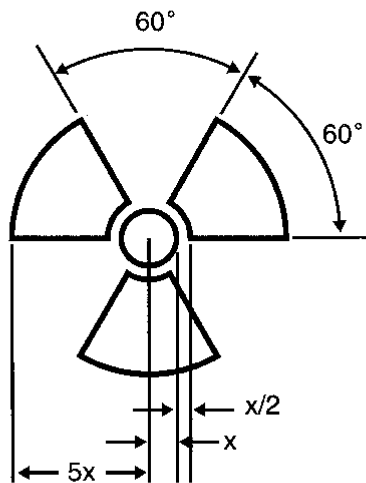
Fig. 1—Trefoil Symbol Trefoil symbol with proportions based on a central circle of radius X. The minimum size of X shall be 4 mm.

Fig. 1—Trefoil Symbol Trefoil symbol with proportions based on a central circle of radius X. The minimum size of X shall be 4 mm.

PART III

SYMBOLS, SIGNS AND PANELS

Fig. 1—Trefoil Symbol



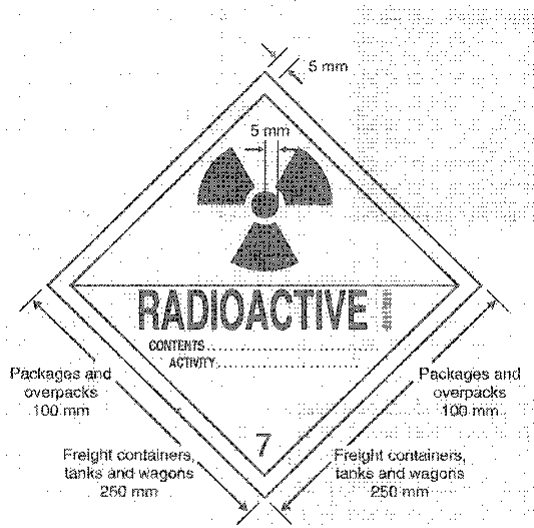
Trefoil symbol with proportions based on a central circle of radius X. The minimum size of X shall be 4 mm.

Fig. 2 Category I-WHITE label. The background colour of the label shall be white, the colour of the trefoil and the printing shall be black, and the colour of the category bar shall be red.

Fig. 2 Category I-WHITE label. The background colour of the label shall be white, the colour of the trefoil and the printing shall be black, and the colour of the category bar shall be red.

Status: This is the original version (as it was originally made). This item of legislation is currently only available in its original format.

Fig. 2. Category I-WHITE label.



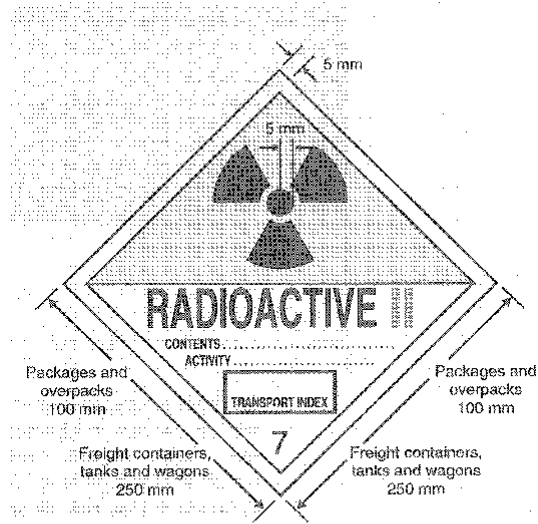
The background colour of the label shall be white, the colour of the trefoil and the printing shall be black, and the colour of the category bar shall be red.

Fig. 3. Category II-YELLOW label. The background colour of the upper half of the label shall be yellow and of the lower half white, the colour of the trefoil and the printing shall be black, and the colour of the category bars shall be red.

Fig. 3. Category II-YELLOW label. The background colour of the upper half of the label shall be yellow and of the lower half white, the colour of the trefoil and the printing shall be black, and the colour of the category bars shall be red.

Status: This is the original version (as it was originally made). This item of legislation is currently only available in its original format.

Fig. 3. Category II-YELLOW label.



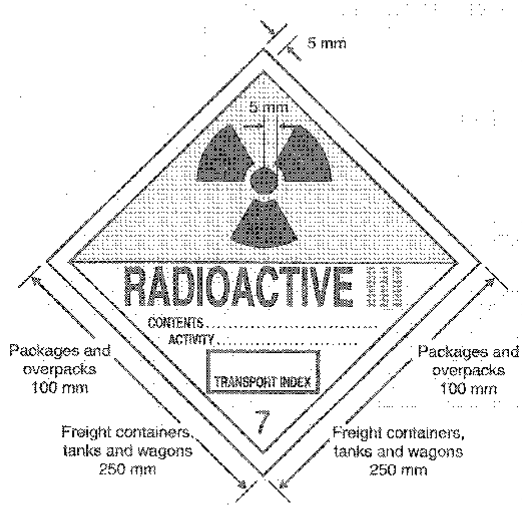
The background colour of the upper half of the label shall be yellow and of the lower half white, the colour of the trefoil and the printing shall be black, and the colour of the category bars shall be red.

Fig. 4. Category III-YELLOW label. The background colour of the upper half of the label shall be yellow and of the lower half white, the colour of the trefoil and the printing shall be black, and the colour of the category bars shall be red.

Fig. 4. Category III-YELLOW label. The background colour of the upper half of the label shall be yellow and of the lower half white, the colour of the trefoil and the printing shall be black, and the colour of the category bars shall be red.

Status: This is the original version (as it was originally made). This item of legislation is currently only available in its original format.

Fig. 4. Category III-YELLOW label.



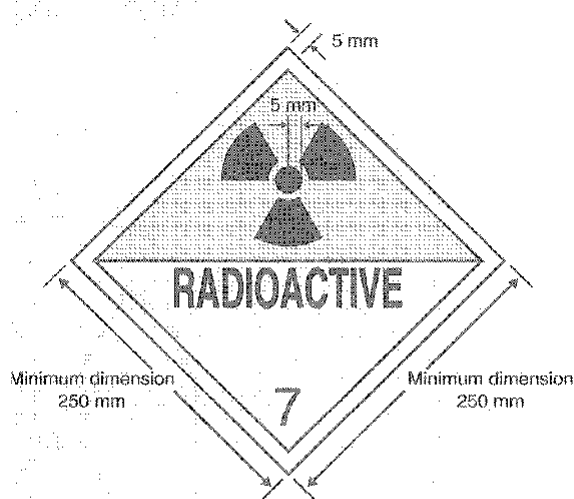
The background colour of the upper half of the label shall be yellow and of the lower half white, the colour of the trefoil and the printing shall be black, and the colour of the category bars shall be red.

Fig. 5. Placard. Minimum dimensions are given: when larger dimensions are used the relative proportions must be maintained. The figure "7" shall not be less than 25 mm high. the background colour of the upper half of the placard shall be yellow and the lower half white, the colour of the trefoil and the printing shall be black. The use of the word "RADIOACTIVE" in the bottom half is optional to allow the alternative use of this placard to display the appropriate United Nations number for the consignment.

Fig. 5. Placard. Minimum dimensions are given: when larger dimensions are used the relative proportions must be maintained. The figure "7" shall not be less than 25 mm high. the background colour of the upper half of the placard shall be yellow and the lower half white, the colour of the trefoil and the printing shall be black. The use of the word "RADIOACTIVE" in the bottom half is optional to allow the alternative use of this placard to display the appropriate United Nations number for the consignment.

Status: This is the original version (as it was originally made). This item of legislation is currently only available in its original format.

Fig. 5. Placard.



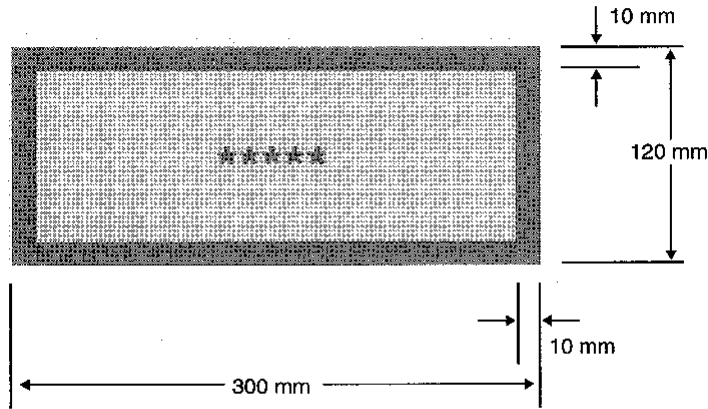
Minimum dimensions are given: when larger dimensions are used the relative proportions must be maintained. The figure "7" shall not be less than 25 mm high. The background colour of the upper half of the placard shall be yellow and the lower half white, the colour of the trefoil and the printing shall be black. The use of the word "RADIOACTIVE" in the bottom half is optional to allow the alternative use of this placard to display the appropriate United Nations number for the consignment.

Fig. 6. Placard for separate display of the United Nations Number. The background colour of the placard shall be orange and the border and United Nations Number shall be black. The symbol "****" denotes the space in which the appropriate United Nations Number for radioactive material, as specified in Paragraph 20 of the Approved Document shall be displayed.

Fig. 6. Placard for separate display of the United Nations Number. The background colour of the placard shall be orange and the border and United Nations Number shall be black. The symbol "****" denotes the space in which the appropriate United Nations Number for radioactive material, as specified in Paragraph 20 of the Approved Document shall be displayed.

Status: This is the original version (as it was originally made). This item of legislation is currently only available in its original format.

Fig. 6. Placard for separate display of the United Nations Number.



The background colour of the placard shall be orange and the border and United Nations Number shall be black. The symbol “****” denotes the space in which the appropriate United Nations Number for radioactive material, as specified in Paragraph 20 of the Approved Document shall be displayed.