

Document Generated: 2023-07-09

Status: *This is the original version (as it was originally made). This item of legislation is currently only available in its original format.*

SCHEDULE 12

Regulation 11(1), 14

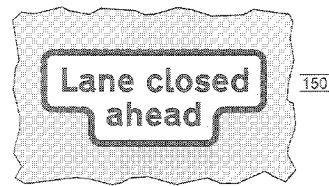
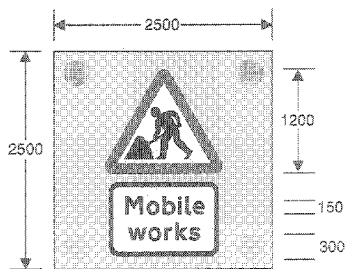
Status: This is the original version (as it was originally made). This item of legislation is currently only available in its original format.

PART V

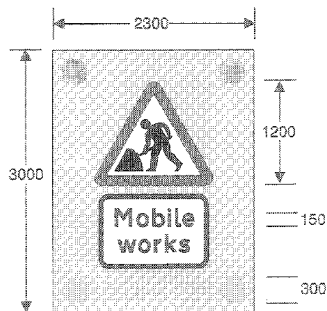
SIGNS MOUNTED ON ROAD WORKS VEHICLES

SCHEDULE 12 PART V SIGNS MOUNTED ON ROAD WORKS VEHICLES

Regulation 11(1), 14



7401.1
Nature or effect of mobile road works



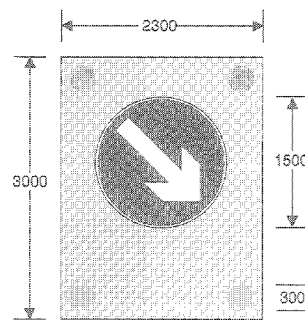
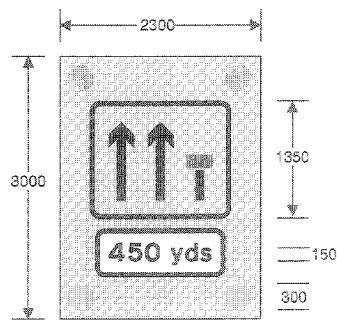
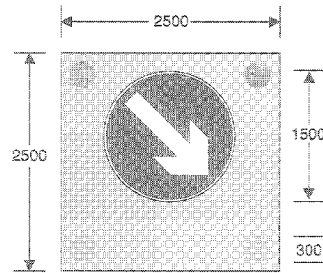
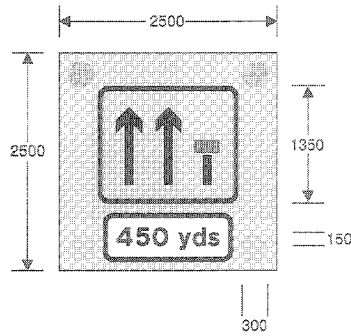
7401
Mobile road works ahead
(Alternative types)

Item:	
1	Regulations: 14
2	Directions: 19, 31
3	Diagrams: 7401
4	Permitted variants: "Lane closed ahead" may be varied to: 1. "Surveying" 2. "Line peining" 3. "On hard shoulder" 4. "Weed spraying" 5. "Mobile works" "Lane" may be varied to "Lanes" Legend may be on one line Plate may be rectangular
5	Illumination requirements: Schedule 17, item 6

Item	
1	Regulations: 14
2	Directions: 19, 31
3	Diagrams: None
4	Permitted variants: See diagram 7401.1
5	Illumination requirements: Schedule 17, item 6

Status: This is the original version (as it was originally made). This item of legislation is currently only available in its original format.

SCHEDULE 12 PART V SIGNS MOUNTED ON ROAD WORKS VEHICLES (contd.)



7402
Lanes closed to traffic ahead by vehicles carrying out mobile road works (Alternative types)

Item	
1	Regulations: 14
2	Directions: 31
3	Diagrams: None
4	Permitted variants: Schedule 16, item 16 "450 yds" may be varied to an alternative distance to the nearest 50 yards or omitted
5	Illumination requirements: Schedule 17, item 5

7403
Other traffic to keep to the right of vehicles carrying out mobile road works (Alternative types)

Item	
1	Regulations: 14, 28(4)
2	Directions: 31
3	Diagrams: None
4	Permitted variants: Arrow may point downwards to the left
5	Illumination requirements: Schedule 17, item 5

Status: This is the original version (as it was originally made). This item of legislation is currently only available in its original format.

SCHEDULE 12 PART V SIGNS MOUNTED ON ROAD WORKS VEHICLES (contd.)



7404
Nature of work being done by vehicle working on the highway

Item	
1	Regulations: 14
2	Directions: 31
3	Diagrams: None
4	Permitted variants: "HIGHWAY" may be varied to "MOTORWAY"
5	Illumination requirements: Schedule 17, Item 9