

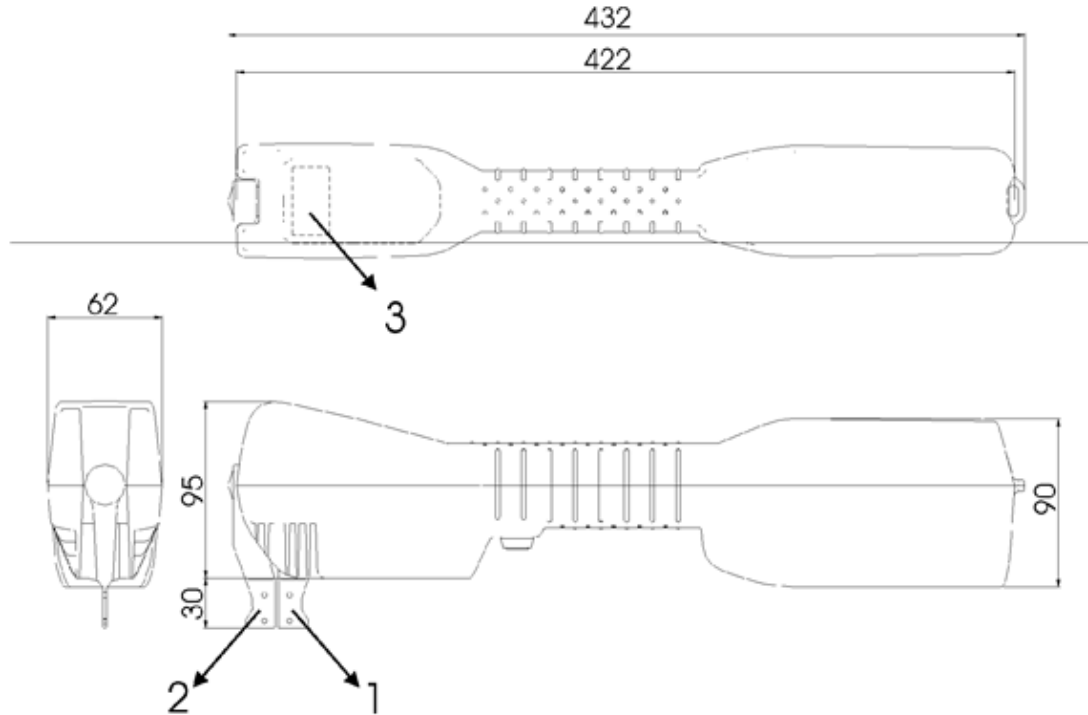
Commission Regulation (EC) No 517/2008 of 10 June 2008 laying down detailed rules for the implementation of Council Regulation (EC) No 850/98 as regards the determination of the mesh size and assessing the thickness of twine of fishing nets

**Changes to legislation:** There are currently no known outstanding effects for the Commission Regulation (EC) No 517/2008, Division Figure. (See end of Document for details)

## ANNEX III

## Technical specifications of the mesh gauge

Figure (These drawings are for illustrative purposes only)



**Changes to legislation:**

There are currently no known outstanding effects for the Commission Regulation (EC) No 517/2008, Division Figure.