
Status: Point in time view as at 22/02/2016.
Changes to legislation: There are currently no known outstanding effects for the Council Regulation (EEC) No 3821/85, ANNEX I B. (See end of Document for details)

Council Regulation (EEC) No 3821/85 of 20 December
1985 on recording equipment in road transport

Status: Point in time view as at 22/02/2016.

Changes to legislation: There are currently no known outstanding effects for the Council Regulation (EEC) No 3821/85, ANNEX I B. (See end of Document for details)

[^{F1}][^{F2}ANNEX I B

REQUIREMENTS FOR CONSTRUCTION, TESTING, INSTALLATION AND INSPECTION

Textual Amendments

- F1** Inserted by Council Regulation (EC) No 2135/98 of 24 September 1998 amending Regulation (EEC) No 3821/85 on recording equipment in road transport and Directive 88/599/EEC concerning the application of Regulations (EEC) No 3820/85 and (EEC) No 3821/85.
- F2** Substituted by Commission Regulation (EC) No 1360/2002 of 13 June 2002 adapting for the seventh time to technical progress Council Regulation (EEC) No 3821/85 on recording equipment in road transport (Text with EEA relevance).

I. DEFINITIONS

In this Annex:

(a) **‘activation’ means** : phase where the recording equipment becomes fully operational and implements all functions, including security functions;

Activating a recording equipment requires the use of a workshop card and the entry of its PIN code;

(b) **‘authentication’ means** : a function intended to establish and verify a claimed identity;

(c) **‘authenticity’ means** : the property that an information is coming from a party whose identity can be verified;

(d) **‘built-in-test (BIT)’ means** : tests run at request, triggered by the operator or by an external equipment;

(e) **‘calendar day’ means** : a day ranging from 00.00 hours to 24.00 hours. All calendar days relate to UTC time (universal time coordinated);

[^{F3}(f) **‘calibration’ means** : updating or confirming vehicle parameters to be held in the data memory. Vehicle parameters include vehicle identification (VIN, VRN and registering Member State) and vehicle characteristics (w, k, l, tyre size, speed limiting device setting (if applicable), current UTC time, current odometer value);

Any update or confirmation of UTC time only, shall be considered as a time adjustment and not as a calibration, provided it does not contradict Requirement 256.

(g) **‘card number’ means** : *Calibrating a recording equipment requires the use of a workshop card;]* a 16 alpha-numerical characters number that uniquely identifies a tachograph card within a Member State. The card number includes a consecutive index (if applicable), a replacement index and a renewal index;

a card is therefore uniquely identified by the code of the issuing Member State and the card number;

(h) **‘card consecutive index’ means** : the 14th alpha-numerical character of a card number that is used to differentiate the different cards issued to a company or a body entitled to be issued several tachograph cards. The company or the body is uniquely identified by the 13 first characters of the card number;

(i) **‘card renewal index’ means** : the 16th alpha-numerical character of a card number which is incremented each time a tachograph card is renewed;

Status: Point in time view as at 22/02/2016.

Changes to legislation: There are currently no known outstanding effects for the Council Regulation (EEC) No 3821/85, ANNEX I B. (See end of Document for details)

- (j) **'card replacement index'** means : the 15th alpha-numerical character of a card number which is incremented each time a tachograph card is replaced;
- (k) **'characteristic coefficient of the vehicle'** means : the numerical characteristic giving the value of the output signal emitted by the part of the vehicle linking it with the recording equipment (gearbox output shaft or axle) while the vehicle travels a distance of one kilometre under standard test conditions (see Chapter VI(5)). The characteristic coefficient is expressed in impulses per kilometre ($w = \dots \text{imp/km}$);
- [^{F3}(l) **'company card'** means : A tachograph card issued by the authorities of a Member State to the owner or holder of vehicles fitted with recording equipment;
- The company card identifies the company and allows for displaying, downloading and printing of the data stored in the recording equipment which has been locked by this company or which has not been locked by any company;]
- (m) **'constant of the recording equipment'** means : the numerical characteristic giving the value of the input signal required to show and record a distance travelled of one kilometre; this constant shall be expressed in impulses per kilometre ($k = \dots \text{imp/km}$);
- (n) **'continuous driving time'** is computed within the recording equipment as⁽¹⁾ : the continuous driving time is computed as the current accumulated driving times of a particular driver, since the end of his last AVAILABILITY or BREAK/REST or UNKNOWN⁽²⁾ period of 45 minutes or more (this period may have been split in several periods of 15 minutes or more). The computations involved take into account, as needed, past activities stored on the driver card. When the driver has not inserted his card, the computations involved are based on the data memory recordings related to the current period where no card was inserted and related to the relevant slot;
- (o) **'control card'** means : a tachograph card issued by the authorities of a Member State to a national competent control authority;
- the control card identifies the control body and possibly the control officer and allows for getting access to the data stored in the data memory or in the driver cards for reading, printing and/or downloading;*
- (p) **'cumulative break time'** is computed within the recording equipment as⁽²⁾ : the cumulative break from driving time is computed as the current accumulated AVAILABILITY or BREAK/REST or UNKNOWN⁽²⁾ times of 15 minutes or more of a particular driver, since the end of his last AVAILABILITY or BREAK/REST or UNKNOWN⁽²⁾ period of 45 minutes or more (this period may have been split in several periods of 15 minutes or more).
- The computations involved take into account, as needed, past activities stored on the driver card. Unknown periods of negative duration (start of unknown period > end of unknown period) due to time overlaps between two different recording equipments, are not taken into account for the computation.
- When the driver has not inserted his card, the computations involved are based on the data memory recordings related to the current period where no card was inserted and related to the relevant slot;
- (q) **'data memory'** means : an electronic data storage device built into the recording equipment;

Status: Point in time view as at 22/02/2016.

Changes to legislation: There are currently no known outstanding effects for the Council Regulation (EEC) No 3821/85, ANNEX I B. (See end of Document for details)

- (r) **‘digital signature’ means** : data appended to, or a cryptographic transformation of, a block of data that allows the recipient of the block of data to prove the authenticity and integrity of the block of data;
- [^{F3}(s) **‘downloading’ means** : Copying, together with the digital signature, of a part, or of a complete set of data files stored in the data memory of the vehicle or in the memory of the tachograph card, for which these data are necessary to establish compliance with the provisions set out in Regulation (EC) No. 561/2006.
- Manufacturers of digital tachograph vehicle units and manufacturers of equipment designed and intended to download data files shall take all reasonable steps to ensure that the downloading of such data can be performed with the minimum delay to transport undertakings or drivers.
- Downloading may not alter or delete stored data. The downloading of the detailed speed file may not be necessary to establish compliance with Regulation (EC) No. 561/2006, but may be used for other purposes, such as accident investigation;]
- (t) **‘driver card’ means** : a tachograph card issued by the authorities of a Member State to a particular driver;
- the driver card identifies the driver and allows for storage of driver activity data;*
- (u) **‘effective circumference of the wheel tyres’ means** : the average of the distances travelled by each of the wheels moving the vehicle (driving wheels) in the course of one complete rotation. The measurement of these distances shall be made under standard test conditions (Chapter VI(5)) and is expressed in the form ‘l = ... mm’. Vehicle manufacturers may replace the measurement of these distances by a theoretical calculation which takes into account the distribution of the weight on the axles, vehicle unladen in normal running order⁽³⁾. The methods for such theoretical calculation will be approved by a competent Member State authority;
- (v) **‘event’ means** : abnormal operation detected by the recording equipment which may come from a fraud attempt;
- (w) **‘fault’ means** : abnormal operation detected by the recording equipment which may come from an equipment malfunction or failure;
- (x) **‘installation’ means** : mounting of the recording equipment in a vehicle;
- (y) **‘motion sensor’ means** : part of the recording equipment, providing a signal representative of vehicle speed and/or distance travelled;
- (z) **‘non valid card’ means** : a card detected as faulty, or which initial authentication failed, or which start of validity date is not yet reached, or which expiry date has passed;
- (aa) **‘out of scope’ means** : when the use of the recording equipment is not required, according to the provisions of Council Regulation (EEC) No 3820/85;
- (bb) **‘over speeding’ means** : exceeding the authorised speed of the vehicle, defined as any period of more than 60 seconds during which the vehicle's measured speed exceeds the limit for setting the speed limitation device laid down in Council Directive 92/6/EEC of 10 February 1992 on the installation and use of speed limitation devices for certain categories of motor vehicles in the Community⁽⁴⁾;
- (cc) **‘periodic inspection’ means** : set of operations performed to control that the recording equipment works properly and that its settings correspond to the vehicle parameters;

Status: Point in time view as at 22/02/2016.

Changes to legislation: There are currently no known outstanding effects for the Council Regulation (EEC) No 3821/85, ANNEX I B. (See end of Document for details)

- (dd) **‘printer’ means** : component of the recording equipment which provides printouts of stored data;
- (ee) **‘recording equipment’ means** : the total equipment intended for installation in road vehicles to show, record and store automatically or semi-automatically details of the movement of such vehicles and of certain work periods of their drivers;
- (ff) **‘renewal’ means** : issue of a new tachograph card when an existing card reaches its expiry date, or is malfunctioning and has been returned to the issuing authority. Renewal always implies the certainty that two valid cards do not co-exist;
- (gg) **‘repair’ means** : any repair of a motion sensor or of a vehicle unit that requires disconnection of its power supply, or disconnection from other recording equipment components, or opening of it;
- (hh) **‘replacement’ means** : issue of a tachograph card in replacement of an existing card, which has been declared lost, stolen or malfunctioning and has not been returned to the issuing authority. Replacement always implies a risk that two valid cards may co-exist;
- (ii) **‘security certification’ means** : process to certify, by an ITSEC⁽⁵⁾ certification body, that the recording equipment (or component) or the tachograph card under investigation fulfils the security requirements defined in Appendix 10 Generic security targets;
- (jj) **‘self test’ means** : tests run cyclically and automatically by the recording equipment to detect faults;
- (kk) **‘tachograph card’ means** : smart card intended for use with the recording equipment. Tachograph cards allow for identification by the recording equipment of the identity (or identity group) of the cardholder and allow for data transfer and storage. A tachograph card may be of the following types:
— driver card,
— control card,
— workshop card,
— company card;
- (ll) **‘type approval’ means** : process to certify, by a Member State, that the recording equipment (or component) or the tachograph card under investigation fulfils the requirements of this regulation;
- (mm) **‘tyre size’ means** : the designation of the dimensions of the tyres (external driving wheels) in accordance with Directive 92/23/EEC of 31 March 1992⁽⁶⁾;
- (nn) **‘vehicle identification’ means** : numbers identifying the vehicle: vehicle registration number (VRN) with indication of the registering Member State and vehicle identification number (VIN)⁽⁷⁾;
- (oo) **‘vehicle unit (VU)’ means** : the recording equipment excluding the motion sensor and the cables connecting the motion sensor. The vehicle unit may either be a single unit or be several units distributed in the vehicle, as long as it complies with the security requirements of this regulation;
- (pp) **‘for computing sake in the recording equipment’ ‘week’ means** : the period between 00.00 hours UTC on Monday and 24.00 UTC on Sunday;
- (qq) **‘workshop card’ means** : a tachograph card issued by the authorities of a Member State to a recording equipment manufacturer, a fitter, a vehicle manufacturer or workshop, approved by that Member State.

Status: Point in time view as at 22/02/2016.

Changes to legislation: There are currently no known outstanding effects for the Council Regulation (EEC) No 3821/85, ANNEX I B. (See end of Document for details)

[^{F4}(rr)‘adaptor’ means : *The workshop card identifies the cardholder and allows for testing, calibration and/or downloading of the recording equipment;*

a part of the recording equipment, providing a signal permanently representative of vehicle speed and/or distance travelled, and which is:

- installed and used only in M1 and N1 type vehicles (as defined in Annex II to Council Directive 70/156/EEC) put into service for the first time between 1 May 2006 and [^{F5}31 December 2016],
- installed where it is not mechanically possible to install any other type of existing motion sensor which is otherwise compliant with the provisions of this Annex and its Appendixes 1 to 11,
- installed between the vehicle unit and where the speed/distance impulses are generated by integrated sensors or alternative interfaces;

Seen from a vehicle unit, the adaptor behaviour is the same as if a motion sensor, compliant the provisions of this Annex and its Appendixes 1 to 11, was connected to the vehicle unit.

Use of such an adaptor in those vehicles described above shall allow for the installation and correct use of a vehicle unit compliant with all the requirements of this Annex.

For those vehicles, the recording equipment includes cables, an adaptor, and a vehicle unit.]

Textual Amendments

- F3** Substituted by [Commission Regulation \(EU\) No 1266/2009 of 16 December 2009 adapting for the tenth time to technical progress Council Regulation \(EEC\) No 3821/85 on recording equipment in road transport \(Text with EEA relevance\).](#)
- F4** Inserted by [Commission Regulation \(EC\) No 68/2009 of 23 January 2009 adapting for the ninth time to technical progress Council Regulation \(EEC\) No 3821/85 on recording equipment in road transport \(Text with EEA relevance\).](#)
- F5** Substituted by [Commission Regulation \(EU\) 2016/130 of 1 February 2016 adapting to technical progress Council Regulation \(EEC\) No 3821/85 on recording equipment in road transport.](#)

II. GENERAL CHARACTERISTICS AND FUNCTIONS OF THE RECORDING EQUIPMENT

Any vehicle fitted with the recording equipment complying with the provisions of this Annex, must include a speed display and an odometer. These functions may be included within the recording equipment.

1. General characteristics

The purpose of the recording equipment is to record, store, display, print, and output data related to driver activities.

The recording equipment includes cables, a motion sensor, and a vehicle unit.

[^{F6}The interface between motion sensors and vehicle units shall be compliant with ISO 16844-3:2004, Cor 1:2006.]

Status: Point in time view as at 22/02/2016.

Changes to legislation: There are currently no known outstanding effects for the Council Regulation (EEC) No 3821/85, ANNEX I B. (See end of Document for details)

Textual Amendments

- F6** Inserted by [Commission Regulation \(EU\) No 1266/2009 of 16 December 2009 adapting for the tenth time to technical progress Council Regulation \(EEC\) No 3821/85 on recording equipment in road transport \(Text with EEA relevance\)](#).

The vehicle unit includes a processing unit, a data memory, a real time clock, two smart card interface devices (driver and co-driver), a printer, a display, a visual warning, a calibration/downloading connector, and facilities for entry of user's inputs.

The recording equipment may be connected to other devices through additional connectors.

Any inclusion in or connection to the recording equipment of any function, device, or devices, approved or otherwise, shall not interfere with, or be capable of interfering with, the proper and secure operation of the recording equipment and the provisions of the Regulation.

Recording equipment users identify themselves to the equipment via tachograph cards.

The recording equipment provides selective access rights to data and functions according to user's type and/or identity.

The recording equipment records and stores data in its data memory and in tachograph cards.

This is done in accordance with Directive 95/46/EC of 24 October 1995 on the protection of individuals with regard to the processing of personal data and on the free movement of such data⁽⁸⁾.

2. Functions

The recording equipment shall ensure the following functions:

- monitoring cards insertions and withdrawals,
- speed and distance measurement,
- time measurement,
- monitoring driver activities,
- monitoring driving status,
- drivers manual entries:
 - entry of places where daily work periods begin and/or end,
 - manual entry of driver activities,
 - entry of specific conditions,
- company locks management,
- monitoring control activities,
- detection of events and/or faults,
- built-in and self tests,
- reading from data memory,
- recording and storing in data memory,
- reading from tachograph cards,
- recording and storing in tachograph cards,
- displaying,
- printing,
- warning,
- data downloading to external media,

Status: Point in time view as at 22/02/2016.

Changes to legislation: There are currently no known outstanding effects for the Council Regulation (EEC) No 3821/85, ANNEX I B. (See end of Document for details)

- output data to additional external devices,
- calibration,
- time adjustment.

3. Modes of operation

The recording equipment shall possess four modes of operation:

- operational mode,
- control mode,
- calibration mode,
- company mode.

The recording equipment shall switch to the following mode of operation according to the valid tachograph cards inserted into the card interface devices:

| Mode of operation | | Driver slot | | | | |
|-------------------|---------------|-------------|-------------|----------------------|--------------------------|----------------------|
| | | No card | Driver card | Control card | Workshop card | Company card |
| Co-driver slot | No card | Operational | Operational | Control | Calibration | Company |
| | Driver card | Operational | Operational | Control | Calibration | Company |
| | Control card | Control | Control | Control ^a | Operational | Operational |
| | Workshop card | Calibration | Calibration | Operational | Calibration ^a | Operational |
| | Company card | Company | Company | Operational | Operational | Company ^a |

^a In these situations the recording equipment shall use only the tachograph card inserted in the driver slot.

The recording equipment shall ignore non-valid cards inserted, except displaying, printing or downloading data held on an expired card which shall be possible.

All functions listed in II.2. shall work in any mode of operation with the following exceptions:

- the calibration function is accessible in the calibration mode only,
- the time adjustment function is limited when not in the calibration mode,
- the company locks management function is accessible in the company mode only,
- the monitoring of control activities function is operational in the control mode only,
- [^{F3}the downloading function is not accessible in the operational mode (except as provided for in Requirement 150), and except downloading a driver card when no other card is inserted into the VU.]

Textual Amendments

- F7** Deleted by [Commission Regulation \(EU\) No 1266/2009 of 16 December 2009](#) adapting for the tenth time to technical progress Council Regulation (EEC) No 3821/85 on recording equipment in road transport (Text with EEA relevance).

The recording equipment can output any data to display, printer or external interfaces with the following exceptions:

Status: Point in time view as at 22/02/2016.

Changes to legislation: There are currently no known outstanding effects for the Council Regulation (EEC) No 3821/85, ANNEX I B. (See end of Document for details)

- in the operational mode, any personal identification (surname and first name(s)) not corresponding to a tachograph card inserted shall be blanked and any card number not corresponding to a tachograph card inserted shall be partially blanked (every odd character — from left to right — shall be blanked),
- [^{F3}in the company mode, driver related data (requirements 081, 084 and 087) can be output only for periods where no lock exists or no other company holds a lock (as identified by the first 13 digits of the company card number),]
- when no card is inserted in the recording equipment, driver related data can be output only for the current and eight previous calendar days.

4. Security

The system security aims at protecting the data memory in such a way as to prevent unauthorised access to and manipulation of the data and detecting any such attempts, protecting the integrity and authenticity of data exchanged between the motion sensor and the vehicle unit, protecting the integrity and authenticity of data exchanged between the recording equipment and the tachograph cards, and verifying the integrity and authenticity of data downloaded.

In order to achieve the system security, the recording equipment shall meet the security requirements specified in the motion sensor and vehicle unit generic security targets (Appendix 10).

III. CONSTRUCTION AND FUNCTIONAL REQUIREMENTS FOR RECORDING EQUIPMENT

1. Monitoring cards insertion and withdrawal

The recording equipment shall monitor the card interface devices to detect card insertions and withdrawals.

Upon card insertion the recording equipment shall detect whether the card inserted is a valid tachograph card and in such a case identify the card type.

The recording equipment shall be so designed that the tachograph cards are locked in position on their proper insertion into the card interface devices.

The release of tachograph cards may function only when the vehicle is stopped and after the relevant data have been stored on the cards. The release of the card shall require positive action by the user.

2. Speed and distance measurement

This function shall continuously measure and be able to provide the odometer value corresponding to the total distance travelled by the vehicle.

This function shall continuously measure and be able to provide the speed of the vehicle.

The speed measurement function shall also provide the information whether the vehicle is moving or stopped. The vehicle shall be considered as moving as soon as the function detects more than 1 imp/sec for at least five seconds from the motion sensor, otherwise the vehicle shall be considered as stopped.

Devices displaying speed (speedometer) and total distance travelled (odometer) installed in any vehicle fitted with a recording equipment complying with the provisions of this Regulation, shall comply with the requirements relating to maximum tolerances laid down in this Annex (Chapters III(2)(1) and III(2)(2)).

Status: Point in time view as at 22/02/2016.

Changes to legislation: There are currently no known outstanding effects for the Council Regulation (EEC) No 3821/85, ANNEX I B. (See end of Document for details)

[^{F6}To detect manipulation of motion data, information from the motion sensor shall be corroborated by vehicle motion information derived from one or more source(s) independent from the motion sensor.]

2.1. Measurement of distance travelled

The distance travelled may be measured either:

- so as to cumulate both forward and reverse movements, or
- so as to include only forward movement.

The recording equipment shall measure distance from 0 to 9 999 999,9 km.

Distance measured shall be within the following tolerances (distances of at least 1 000 m):

- ± 1 % before installation,
- ± 2 % on installation and periodic inspection,
- ± 4 % in use.

Distance measured shall have a resolution better than or equal to 0,1 km.

2.2. Measurement of speed

The recording equipment shall measure speed from 0 to 220 km/h.

To ensure a maximum tolerance on speed displayed of ± 6 km/h in use, and taking into account:

- a ± 2 km/h tolerance for input variations (tyre variations, ...),
- a ± 1 km/h tolerance in measurements made during installation or periodic inspections,

the recording equipment shall, for speeds between 20 and 180 km/h, and for characteristic coefficients of the vehicle between 4 000 and 25 000 imp/km, measure the speed with a tolerance of ± 1 km/h (at constant speed).

Note: The resolution of data storage brings an additional tolerance of $\pm 0,5$ km/h to speed stored by the recording equipment.

The speed shall be measured correctly within the normal tolerances within 2 seconds of the end of a speed change when the speed has changed at a rate up to 2 m/s^2 .

Speed measurement shall have a resolution better than or equal to 1 km/h.

3. Time measurement

The time measurement function shall measure permanently and digitally provide UTC date and time.

[^{F3}UTC date and time shall be used for dating data inside the recording equipment (recordings, data exchange) and for all printouts specified in Appendix 4 'Printouts'.]

[^{F3}In order to visualise the local time, it shall be possible to change the offset of the time displayed, in half hour steps. No other offsets than negative or positive multiples of half hours shall be allowed.]

Time drift shall be within ± 2 seconds per day in type approval conditions.

Time measured shall have a resolution better than or equal to 1 second.

Time measurement shall not be affected by an external power supply cut-off of less than 12 months in type approval conditions.

Status: Point in time view as at 22/02/2016.

Changes to legislation: There are currently no known outstanding effects for the Council Regulation (EEC) No 3821/85, ANNEX I B. (See end of Document for details)

4. Monitoring driver activities

This function shall permanently and separately monitor the activities of one driver and one co-driver.

Driver activity shall be DRIVING, WORK, AVAILABILITY, or BREAK/REST.

It shall be possible for the driver and/or the co-driver to manually select WORK, AVAILABILITY, or BREAK/REST.

When the vehicle is moving, DRIVING shall be selected automatically for the driver and AVAILABILITY shall be selected automatically for the co-driver.

When the vehicle stops, WORK shall be selected automatically for the driver.

[^{F3}The first change of activity to REST or AVAILABILITY arising within 120 seconds of the automatic change to WORK due to the vehicle stop shall be assumed to have happened at the time of vehicle stop (therefore possibly cancelling the change to WORK).]

This function shall output activity changes to the recording functions at a resolution of one minute.

[^{F7}.....]

[^{F3}Given a calendar minute, if DRIVING is registered as the activity of both the immediately preceding and immediately succeeding minute, the whole minute shall be regarded as DRIVING.

Given a calendar minute that is not regarded as DRIVING according to the previous requirement 041, the whole minute shall be regarded to be of the same type of activity as the longest continuous activity within the minute (or the latest of equally long activities).]

This function shall also permanently monitor the continuous driving time and the cumulative break time of the driver.

5. Monitoring driving status

This function shall permanently and automatically monitor the driving status.

The driving status CREW shall be selected when two valid driver cards are inserted in the equipment, the driving status SINGLE shall be selected in any other case.

6. Drivers manual entries

6.1. Entry of places where daily work periods begin and/or end

This function shall allow for the entry of places where the daily work periods begin and/or end for a driver and/or a co-driver.

Places are defined as the country and, in addition where applicable, the region.

At the time of a driver (or workshop) card withdrawal, the recording equipment shall prompt the (co-)driver to enter a 'place where the daily work period ends'.

The recording equipment shall allow this request to be disregarded.

[^{F3}It shall be possible to input places where daily work periods begin and/or end through commands in the menus. If more than one such input is done within one calendar minute,

Status: Point in time view as at 22/02/2016.

Changes to legislation: There are currently no known outstanding effects for the Council Regulation (EEC) No 3821/85, ANNEX I B. (See end of Document for details)

only the last begin place input and the last end place input done within that time shall be kept recorded.]

6.2. Manual entry of driver activities

[^{F3}Upon driver (or workshop) card insertion, and only at this time, the recording equipment shall allow manual entries of activities. It shall be possible to make manual entries, if required, at the first insertion of a previously unused driver (or workshop) card.

Manual entries of activities shall be performed using local time and date values of the time zone (UTC offset) currently set for the vehicle unit.

At driver or workshop card insertion the cardholder shall be reminded of:

- The date and time of his last card withdrawal.
- Optionally: the local time offset currently set for the vehicle unit

It shall be possible to input activities with the following restrictions:

- Activity type shall be WORK, AVAILABILITY or BREAK/REST.
- Start and end times for each activity shall be within the period of the last card withdrawal — current insertion only.

Activities shall not be allowed to overlap mutually in time.

The procedure for manual entries of activities shall include as many consecutive steps as necessary to set a type, a start time and an end time for each activity. For any part of the time period between last card withdrawal and current card insertion, the cardholder shall have the option not to declare any activity.

During the manual entries associated with card insertion and if applicable, the card holder shall have the opportunity to input:

- a place where a previous daily work period ended, associated to the relevant time (if not already entered at the last card withdrawal),
- a place where the current daily work period begins, associated to the relevant time,

If a location is entered, it shall be recorded in the relevant tachograph card.

Manual entries shall be interrupted if:

- the card is withdrawn or,
- the vehicle is moving and the card is in the driver slot.

Additional interruptions are allowed, e.g. a timeout after a certain period of user inactivity. If manual entries are interrupted, the recording equipment shall validate any complete place and activity entries (having either unambiguous place and time, or activity type, begin time and end time) already made.

If a second driver or workshop card is inserted while manual entries of activities are in progress for a previously inserted card, the manual entries for this previous card shall be allowed to be completed before manual entries start for the second card.

The cardholder shall have the option to insert manual entries according to the following minimum procedure:

Enter activities manually, in chronological order, for the period last card withdrawal – current insertion.

Status: Point in time view as at 22/02/2016.

Changes to legislation: There are currently no known outstanding effects for the Council Regulation (EEC) No 3821/85, ANNEX I B. (See end of Document for details)

Begin time of the first activity shall be set to card withdrawal time. For each subsequent entry, the start time shall be preset to immediately follow the end time of the previous entry. Activity type and end time shall be selected for each activity.

The procedure shall end when the end time of a manually entered activity equals the card insertion time. The recording equipment may then optionally allow the card holder to modify any activity manually entered, until validation by selection of a specific command. Thereafter, any such modification shall be forbidden.]

6.3. Entry of specific conditions

[^{F3}The recording equipment shall allow the driver to enter, in real time, the following two specific conditions:

‘OUT OF SCOPE’ (begin, end)

‘FERRY / TRAIN CROSSING’

A ‘FERRY / TRAIN CROSSING’ may not occur if an ‘OUT OF SCOPE’ condition is opened.

An opened ‘OUT OF SCOPE’ condition shall be automatically closed, by the recording equipment, if a driver card is inserted or withdrawn.

An opened ‘OUT OF SCOPE’ condition shall inhibit the following events and warnings:

- Driving without an appropriate card,
- Warnings associated with continuous driving time.]

7. Company locks management

This function shall allow the management of the locks placed by a company to restrict data access in company mode to itself.

Company locks consist in a start date/time (lock-in) and an end date/time (lock-out) associated with the identification of the company as denoted by the company card number (at lock-in).

Locks may be turned ‘in’ or ‘out’ in real time only.

Locking-out shall only be possible for the company whose lock is ‘in’ (as identified by the first 13 digits of the company card number), or,

locking-out shall be automatic if another company locks in.

In the case where a company locks in and where the previous lock was for the same company, then it will be assumed that the previous lock has not been turned ‘out’ and is still ‘in’.

8. Monitoring control activities

This function shall monitor DISPLAYING, PRINTING, VU and card DOWNLOADING activities carried while in control mode.

This function shall also monitor OVER SPEEDING CONTROL activities while in control mode. An over speeding control is deemed to have happened when, in control mode, the ‘over speeding’ printout has been sent to the printer or to the display, or when ‘events and faults’ data have been downloaded from the VU data memory.

9. Detection of events and/or faults

This function shall detect the following events and/or faults:

9.1. Insertion of a non-valid card‘ event

Status: Point in time view as at 22/02/2016.

Changes to legislation: There are currently no known outstanding effects for the Council Regulation (EEC) No 3821/85, ANNEX I B. (See end of Document for details)

This event shall be triggered at the insertion of any non-valid card and/or when an inserted valid card expires.

9.2. 'Card conflict' event

This event shall be triggered when any of the valid cards combination noted X in the following table arise:

| Card conflict | | Driver slot | | | | |
|----------------|---------------|-------------|-------------|--------------|---------------|--------------|
| | | No card | Driver card | Control card | Workshop card | Company card |
| Co-driver slot | No card | | | | | |
| | Driver card | | | | X | |
| | Control card | | | X | X | X |
| | Workshop card | | X | X | X | X |
| | Company card | | | X | X | X |

9.3. 'Time overlap' event

This event shall be triggered when the date/time of last withdrawal of a driver card, as read from the card, is later than the current date/time of the recording equipment in which the card is inserted.

9.4. 'Driving without an appropriate card' event

This event shall be triggered for any tachograph cards combination noted X in the following table, when driver activity changes to DRIVING, or when there is a change of the mode of operation while driver activity is DRIVING:

| Driving without an appropriate card | | Driver slot | | | | |
|-------------------------------------|------------------------|------------------------|-------------|--------------|---------------|--------------|
| | | No (or non-valid) card | Driver card | Control card | Workshop card | Company card |
| Co-driver slot | No (or non-valid) card | X | | X | | X |
| | Driver card | X | | X | X | X |
| | Control card | X | X | X | X | X |
| | Workshop card | X | X | X | | X |
| | Company card | X | X | X | X | X |

Status: Point in time view as at 22/02/2016.

Changes to legislation: There are currently no known outstanding effects for the Council Regulation (EEC) No 3821/85, ANNEX I B. (See end of Document for details)

9.5. 'Card insertion while driving' event

This event shall be triggered when a tachograph card is inserted in any slot, while driver activity is DRIVING.

9.6. 'Last card session not correctly closed' event

This event shall be triggered when at card insertion the recording equipment detects that, despite the provisions laid down in paragraph III(1), the previous card session has not been correctly closed (the card has been withdrawn before all relevant data have been stored on the card). This event shall be triggered by driver and workshop cards only.

9.7. 'Over speeding' event

[^{F3}This event shall be triggered for each over-speeding. This requirement shall apply only to vehicles falling within category M2, M3, N2 or N3, as defined in Annex II of Directive 2007/46/EC, establishing a framework for the approval of motor vehicles and their trailers.]

9.8. 'Power supply interruption' event

This event shall be triggered, while not in calibration mode, in case of any interruption exceeding 200 milliseconds of the power supply of the motion sensor and/or of the vehicle unit. The interruption threshold shall be defined by the manufacturer. The drop in power supply due to the starting of the engine of the vehicle shall not trigger this event.

9.9. 'Motion data error' event

This event shall be triggered in case of interruption of the normal data flow between the motion sensor and the vehicle unit and/or in case of data integrity or data authentication error during data exchange between the motion sensor and the vehicle unit.

[^{F69.9} 'Vehicle Motion Conflict' event
bis.

This event shall also be triggered when a zero speed measurement is contradicted by motion information from at least one independent source for more than one uninterrupted minute.

In cases where the vehicle unit can receive or elaborate speed values from external independent source of motion information, this event may also be triggered if such speed values significantly contradict those elaborated from the motion sensor speed signal for more than one minute.]

9.10. 'Security breach attempt' event

This event shall be triggered for any other event affecting the security of the motion sensor and/or of the vehicle unit as specified within the generic security targets of these components, while not in calibration mode.

9.11. 'Card' fault

This fault shall be triggered when a tachograph card failure occurs during operation.

9.12. 'Recording equipment' fault

This fault shall be triggered for any of these failures, while not in calibration mode:

- VU internal fault,
- printer fault,
- display fault,

Status: Point in time view as at 22/02/2016.

Changes to legislation: There are currently no known outstanding effects for the Council Regulation (EEC) No 3821/85, ANNEX I B. (See end of Document for details)

- downloading fault,
- sensor fault.

10. Built-in and self tests

The recording equipment shall self-detect faults through self tests and built-in-tests, according to the following table:

| Sub-assembly to test | Self test | Built-in-test |
|---|----------------------|------------------------|
| Software | | Integrity |
| Data memory | Access | Access, data integrity |
| Card interface devices | Access | Access |
| Keyboard | | Manual check |
| Printer | (up to manufacturer) | Printout |
| Display | | Visual check |
| Downloading (performed only during downloading) | Proper operation | |
| Sensor | Proper operation | Proper operation |

11. Reading from data memory

The recording equipment shall be able to read any data stored in its data memory.

12. Recording and storing in the data memory

For the purpose of this paragraph,

- ‘365 days’ is defined as 365 calendar days of average drivers activity in a vehicle. The average activity per day in a vehicle is defined as at least six drivers or co-drivers, six card insertion withdrawal cycles, and 256 activity changes. ‘365 days’ therefore include at least 2 190 (co-)drivers, 2 190 card insertion withdrawal cycles, and 93 440 activity changes,
- times are recorded with a resolution of one minute, unless otherwise specified,
- odometer values are recorded with a resolution of one kilometre,
- speeds are recorded with a resolution of 1 km/h.

Data stored into the data memory shall not be affected by an external power supply cut-off of less than twelve months in type approval conditions.

The recording equipment shall be able to record and store implicitly or explicitly in its data memory the following:

12.1. Equipment identification data

12.1.1. Vehicle unit identification data

The recording equipment shall be able to store in its data memory the following vehicle unit identification data:

- name of the manufacturer,
- address of the manufacturer,
- part number,

Status: Point in time view as at 22/02/2016.

Changes to legislation: There are currently no known outstanding effects for the Council Regulation (EEC) No 3821/85, ANNEX I B. (See end of Document for details)

- serial number,
- software version number,
- software version installation date,
- year of equipment manufacture,
- approval number.

Vehicle unit identification data are recorded and stored once and for all by the vehicle unit manufacturer, except the software-related data and the approval number which may be changed in case of software upgrade.

12.1.2. Motion sensor identification data

The motion sensor shall be able to store in its memory the following identification data:

- name of the manufacturer,
- part number,
- serial number,
- approval number,
- embedded security component identifier (e.g. internal chip/processor part number),
- operating system identifier (e.g. software version number).

Motion sensor identification data are recorded and stored once and for all in the motion sensor, by the motion sensor manufacturer.

The vehicle unit shall be able to record and store in its data memory the following currently paired motion sensor identification data:

- serial number,
- approval number,
- first pairing date.

12.2. Security elements

The recording equipment shall be able to store the following security elements:

- European public key,
- Member State certificate,
- equipment certificate,
- equipment private key.

Recording equipment security elements are inserted in the equipment by the vehicle unit manufacturer.

12.3. Driver card insertion and withdrawal data

For each insertion and withdrawal cycle of a driver or workshop card in the equipment, the recording equipment shall record and store in its data memory:

- the card holder's surname and first name(s) as stored in the card,
- the card's number, issuing Member State and expiry date as stored in the card,
- the insertion date and time,
- the vehicle odometer value at card insertion,
- the slot in which the card is inserted,
- the withdrawal date and time,
- the vehicle odometer value at card withdrawal,

Status: Point in time view as at 22/02/2016.

Changes to legislation: There are currently no known outstanding effects for the Council Regulation (EEC) No 3821/85, ANNEX I B. (See end of Document for details)

- the following information about the previous vehicle used by the driver, as stored in the card:
 - VRN and registering Member State,
 - card withdrawal date and time,
- a flag indicating whether, at card insertion, the card holder has manually entered activities or not.

The data memory shall be able to hold these data for at least 365 days.

When storage capacity is exhausted, new data shall replace oldest data.

12.4. Driver activity data

The recording equipment shall record and store in its data memory whenever there is a change of activity for the driver and/or the co-driver, and/or whenever there is a change of driving status, and/or whenever there is an insertion or withdrawal of a driver or workshop card:

- the driving status (CREW, SINGLE),
- the slot (DRIVER, CO-DRIVER),
- the card status in the relevant slot (INSERTED, NOT INSERTED) (see Note),
- the activity (DRIVING, AVAILABILITY, WORK, BREAK/REST),
- the date and time of the change.

Note: INSERTED means that a valid driver or workshop card is inserted in the slot. NOT INSERTED means the opposite, i.e. no valid driver or workshop card is inserted in the slot (e.g. a company card is inserted or no card is inserted).

Note: Activity data manually entered by a driver are not recorded in the data memory.

The data memory shall be able to hold driver activity data for at least 365 days.

When storage capacity is exhausted, new data shall replace oldest data.

12.5. Places where daily work periods start and/or end

The recording equipment shall record and store in its data memory whenever a (co-)driver enters the place where a daily work period begins and/or ends:

- if applicable, the (co-)driver card number and card issuing Member State,
- the date and time of the entry (or the date/time related to the entry when the entry is made during the manual entry procedure),
- the type of entry (begin or end, condition of entry),
- the country and region entered,
- the vehicle odometer value.

The data memory shall be able to hold daily work periods start and/or end data for at least 365 days (with the assumption that one driver enters two records per day).

When storage capacity is exhausted, new data shall replace oldest data.

12.6. Odometer data

The recording equipment shall record in its data memory the vehicle odometer value and the corresponding date at midnight every calendar day.

The data memory shall be able to store midnight odometer values for at least 365 calendar days.

When storage capacity is exhausted, new data shall replace oldest data.

Status: Point in time view as at 22/02/2016.

Changes to legislation: There are currently no known outstanding effects for the Council Regulation (EEC) No 3821/85, ANNEX I B. (See end of Document for details)

12.7. Detailed speed data

The recording equipment shall record and store in its data memory the instantaneous speed of the vehicle and the corresponding date and time at every second of at least the last 24 hours that the vehicle has been moving.

12.8. Events data

For the purpose of this subparagraph, time shall be recorded with a resolution of one second.

The recording equipment shall record and store in its data memory the following data for each event detected according to the following storage rules:

| Event | Storage rules | Data to be recorded per event |
|--|--|---|
| Card conflict | — the 10 most recent events. | — date and time of beginning of event, — date and time of end of event, — cards' type, number and issuing Member State of the two cards creating the conflict. |
| Driving without an appropriate card | — the longest event for each of the 10 last days of occurrence, — the five longest events over the last 365 days. | — date and time of beginning of event, — date and time of end of event, — cards' type, number and issuing Member State of any card inserted at beginning and/or end of the event, — number of similar events that day. |
| Card insertion while driving | — the last event for each of the 10 last days of occurrence. | — date and time of the event, — card's type, number and issuing Member State, — number of similar events that day. |
| Last card session not correctly closed | — the 10 most recent events. | — date and time of card insertion, |

a The recording equipment shall also record and store in its data memory:

- the date and time of the last OVER SPEEDING CONTROL,
- the date and time of the first over speeding following this OVER SPEEDING CONTROL,
- the number of over speeding events since the last OVER SPEEDING CONTROL.

b These data may be recorded at power supply reconnection only, times may be known with an accuracy to the minute.

Status: Point in time view as at 22/02/2016.

Changes to legislation: There are currently no known outstanding effects for the Council Regulation (EEC) No 3821/85, ANNEX I B. (See end of Document for details)

| | | |
|--|---|--|
| | | <ul style="list-style-type: none"> — card's type, number and issuing Member State, — last session data as read from the card: <ul style="list-style-type: none"> — date and time of card insertion, — VRN and Member State of registration. |
| Over speeding ^a | <ul style="list-style-type: none"> — the most serious event for each of the 10 last days of occurrence (i.e. the one with the highest average speed), — the five most serious events over the last 365 days. — the first event having occurred after the last calibration. | <ul style="list-style-type: none"> — date and time of beginning of event, — date and time of end of event, — maximum speed measured during the event, — arithmetic average speed measured during the event, — card's type, number and issuing Member State of the driver (if applicable), — number of similar events that day. |
| Power supply interruption ^b | <ul style="list-style-type: none"> — the longest event for each of the 10 last days of occurrence, — the five longest events over the last 365 days. | <ul style="list-style-type: none"> — date and time of beginning of event, — date and time of end of event, — cards' type, number and issuing Member State of any card inserted at beginning and/or end of the event, — number of similar events that day. |
| Motion data error | <ul style="list-style-type: none"> — the longest event for each of the 10 last days of occurrence, | <ul style="list-style-type: none"> — date and time of beginning of event, — date and time of end of event, |

- a** The recording equipment shall also record and store in its data memory:
- the date and time of the last OVER SPEEDING CONTROL,
 - the date and time of the first over speeding following this OVER SPEEDING CONTROL,
 - the number of over speeding events since the last OVER SPEEDING CONTROL.

- b** These data may be recorded at power supply reconnection only, times may be known with an accuracy to the minute.

Status: Point in time view as at 22/02/2016.

Changes to legislation: There are currently no known outstanding effects for the Council Regulation (EEC) No 3821/85, ANNEX I B. (See end of Document for details)

| | | |
|---|---|--|
| | — the five longest events over the last 365 days. | — cards' type, number and issuing Member State of any card inserted at beginning and/or end of the event, — number of similar events that day. |
| [^{F6} Vehicle Motion Conflict | — the longest event for each of the 10 last days of occurrence, — the 5 longest events over the last 365 days. | — date and time of beginning of event, — date and time of end of event, — cards' type, number and issuing Member State of any card inserted at beginning and/or end of the event, — number of similar events that day.] |
| Security breach attempt | — the 10 most recent events per type of event. | — date and time of beginning of event, — date and time of end of event (if relevant), — cards' type, number and issuing Member State of any card inserted at beginning and/or end of the event, — type of event. |

- a** The recording equipment shall also record and store in its data memory:
- the date and time of the last OVER SPEEDING CONTROL,
 - the date and time of the first over speeding following this OVER SPEEDING CONTROL,
 - the number of over speeding events since the last OVER SPEEDING CONTROL.

- b** These data may be recorded at power supply reconnection only, times may be known with an accuracy to the minute.

12.9. Faults data

For the purpose of this subparagraph, time shall be recorded with a resolution of one second.

The recording equipment shall attempt to record and store in its data memory the following data for each fault detected according to the following storage rules:

| Fault | Storage rules | Data to be recorded per fault |
|--------------|--|--|
| Card fault | — the 10 most recent driver card faults. | — date and time of beginning of fault, — date and time of end of fault, |

Status: Point in time view as at 22/02/2016.

Changes to legislation: There are currently no known outstanding effects for the Council Regulation (EEC) No 3821/85, ANNEX I B. (See end of Document for details)

| | | | |
|----------------------------|--|------------------|---|
| | | — | card's type number and issuing Member State. |
| Recording equipment faults | — the 10 most recent faults for each type of fault, — the first fault after the last calibration. | — — — — | date and time of beginning of fault, date and time of end of fault, type of fault, cards' type, number and issuing Member State of any card inserted at beginning and/or end of the fault. |

12.10. Calibration data

The recording equipment shall record and store in its data memory data relevant to:

- known calibration parameters at the moment of activation,
- its very first calibration following its activation,
- its first calibration in the current vehicle (as identified by its VIN),
- the five most recent calibrations (If several calibrations happen within one calendar day, only the last one of the day shall be stored).

The following data shall be recorded for each of these calibrations:

- purpose of calibration (activation, first installation, installation, periodic inspection),
- workshop name and address,
- workshop card number, card issuing Member State and card expiry date,
- vehicle identification,
- parameters updated or confirmed: w, k, l, tyre size, speed limiting device setting, odometer (old and new values), date and time (old and new values).

The motion sensor shall record and store in its memory the following motion sensor installation data:

- first pairing with a VU (date, time, VU approval number, VU serial number),
- last pairing with a VU (date, time, VU approval number, VU serial number).

12.11. Time adjustment data

The recording equipment shall record and store in its data memory data relevant to:

- the most recent time adjustment,
- the five largest time adjustments, since last calibration,

performed in calibration mode outside the frame of a regular calibration (definition (f)).

The following data shall be recorded for each of these time adjustments:

- date and time, old value,
- date and time, new value,
- workshop name and address,
- workshop card number, card issuing Member State and card expiry date.

Status: Point in time view as at 22/02/2016.

Changes to legislation: There are currently no known outstanding effects for the Council Regulation (EEC) No 3821/85, ANNEX I B. (See end of Document for details)

12.12. Control activity data

The recording equipment shall record and store in its data memory the following data relevant to the 20 most recent control activities:

- date and time of the control,
- control card number and card issuing Member State,
- type of the control (displaying and/or printing and/or VU downloading and/or card downloading).

In case of downloading, the dates of the oldest and of the most recent days downloaded shall also be recorded.

12.13. Company locks data

[^{F3}The recording equipment shall record and store in its data memory the following data relevant to the 255 most recent company locks:

- lock-in date and time,
- lock-out date and time,
- Company Card number and card issuing Member States,
- Company name and address.

Data previously locked by a lock removed from memory due to the limit above, shall be treated as not locked.]

12.14. Download activity data

The recording equipment shall record and store in its data memory the following data relevant to the last data memory downloading to external media while in company or in calibration mode:

- date and time of downloading,
- company or workshop card number and card issuing Member State,
- company or workshop name.

12.15. Specific conditions data

The recording equipment shall record in its data memory the following data relevant to specific conditions:

- date and time of the entry,
- type of specific condition.

The data memory shall be able to hold specific conditions data for at least 365 days (with the assumption that on average, one condition is opened and closed per day). When storage capacity is exhausted, new data shall replace oldest data.

13. Reading from tachograph cards

The recording equipment shall be able to read from tachograph cards, where applicable, the necessary data:

- to identify the card type, the card holder, the previously used vehicle, the date and time of the last card withdrawal and the activity selected at that time,
- to check that last card session was correctly closed,
- to compute the driver's continuous driving time, cumulative break time and cumulated driving times for the previous and the current week,
- to print requested printouts related to data recorded on a driver card,

Status: Point in time view as at 22/02/2016.

Changes to legislation: There are currently no known outstanding effects for the Council Regulation (EEC) No 3821/85, ANNEX I B. (See end of Document for details)

— to download a driver card to external media.

In case of a reading error, the recording equipment shall try again, three times maximum, the same read command, and then if still unsuccessful, declare the card faulty and non-valid.

14. Recording and storing on tachograph cards

The recording equipment shall set the ‘card session data’ in the driver or workshop card right after the card insertion.

The recording equipment shall update data stored on valid driver, workshop and/or control cards with all necessary data relevant to the period while the card is inserted and relevant to the card holder. Data stored on these cards are specified in Chapter IV.

The recording equipment shall update driver activity and location data (as specified in Chapter IV, paragraphs 5.2.5 and 5.2.6), stored on valid driver and/or workshop cards, with activity and location data manually entered by the cardholder.

[^{F6}The ‘Vehicle Motion Conflict’ event shall not be stored on the driver and workshop cards.]

Tachograph cards data update shall be such that, when needed and taking into account card actual storage capacity, most recent data replace oldest data.

In the case of a writing error, the recording equipment shall try again, three times maximum, the same write command, and then if still unsuccessful, declare the card faulty and non valid.

Before releasing a driver card, and after all relevant data have been stored on the card, the recording equipment shall reset the card session data.

15. Displaying

The display shall include at least 20 characters.

The minimum character size shall be 5 mm high and 3,5 mm wide.

[^{F3}The display shall support the characters specified in Appendix 1 Chapter 4 ‘Character sets’. The display may use simplified glyphs (e.g. accented characters may be displayed without accent, or lower case letters may be shown as upper case letters).]

The display shall be provided with adequate non-dazzling lighting.

Indications shall be visible from outside the recording equipment.

The recording equipment shall be able to display:

- default data,
- data related to warnings,
- data related to menu access,
- other data requested by a user.

Additional information may be displayed by the recording equipment, provided that it is clearly distinguishable from information required above.

The display of the recording equipment shall use the pictograms or pictogram combinations listed in Appendix 3. Additional pictograms or pictogram combinations may also be provided by the display, if clearly distinguishable from the aforementioned pictogram or pictogram combinations.

The display shall always be ON when the vehicle is moving.

The recording equipment may include a manual or automatic feature to turn the display OFF when the vehicle is not moving.

Displaying format is specified in Appendix 5.

15.1. Default display

[^{F3}When no other information needs to be displayed, the recording equipment shall display, by default, the following:

- the local time (as a result of UTC time + offset as set by the driver),
- the mode of operation,
- the current activity of the driver and the current activity of the co-driver.

Information related to the driver:

- if his current activity is DRIVING, his current continuous driving time and his current cumulative break time,
- if his current activity is not DRIVING, the current duration of this activity (since it was selected) and his current cumulative break time.]

Display of data related to each driver shall be clear, plain and unambiguous. In the case where the information related to the driver and the co-driver cannot be displayed at the same time, the recording equipment shall display by default the information related to the driver and shall allow the user to display the information related to the co-driver.

In the case where the display width does not allow to display by default the mode of operation, the recording equipment shall briefly display the new mode of operation when it changes.

The recording equipment shall briefly display the card holder name at card insertion.

When an 'OUT OF SCOPE' condition is opened, then the default display must show using the relevant pictogram that the condition is opened (It is acceptable that the driver's current activity may not be shown at the same time).

15.2. Warning display

The recording equipment shall display warning information using primarily the pictograms of Appendix 3, completed where needed by an additional numerically coded information. A literal description of the warning may also be added in the driver's preferred language.

15.3. Menu access

The recording equipment shall provide necessary commands through an appropriate menu structure.

15.4. Other displays

[^{F3}It shall be possible to display selectively on request:

- the UTC date and time, and local time offset,
- the content of any of the six printouts under the same formats as the printouts themselves,
- the continuous driving time and cumulative break time of the driver,
- the continuous driving time and cumulative break time of the co-driver,
- the cumulated driving time of the driver for the previous and the current week,
- the cumulated driving time of the co-driver for the previous and the current week.

Optional:

Status: Point in time view as at 22/02/2016.

Changes to legislation: There are currently no known outstanding effects for the Council Regulation (EEC) No 3821/85, ANNEX I B. (See end of Document for details)

- the current duration of co-driver activity (since it was selected),
- the cumulated driving time of the driver for the current week,
- the cumulated driving time of the driver for the current daily work period,
- the cumulated driving time of the co-driver for the current daily work period.]

Printout content display shall be sequential, line by line. If the display width is less than 24 characters the user shall be provided with the complete information through an appropriate mean (several lines, scrolling, ...). Printout lines devoted to hand-written information may be omitted for display.

16. Printing

The recording equipment shall be able to print information from its data memory and/or from tachograph cards in accordance with the six following printouts:

- driver activities from card daily printout,
- driver activities from Vehicle Unit daily printout,
- events and faults from card printout,
- events and faults from Vehicle Unit printout,
- technical data printout,
- over speeding printout.

The detailed format and content of these printouts are specified in Appendix 4.

Additional data may be provided at the end of the printouts

Additional printouts may also be provided by the recording equipment, if clearly distinguishable from the six aforementioned printouts.

The ‘driver activities from card daily printout’ and ‘events and faults from card printout’ shall be available only when a driver card or a workshop card is inserted in the recording equipment. The recording equipment shall update data stored on the relevant card before starting printing.

In order to produce the ‘driver activities from card daily printout’ or the ‘events and faults from card printout’, the recording equipment shall:

- either automatically select the driver card or the workshop card if one only of these cards is inserted,
- or provide a command to select the source card or select the card in the driver slot if two of these cards are inserted in the recording equipment.

The printer shall be able to print 24 characters per line.

The minimum character size shall be 2,1 mm high and 1,5 mm wide.

[^{F3}The printer shall support the characters specified in Appendix 1 Chapter 4 ‘Character sets’.]

Printers shall be so designed as to produce these printouts with a degree of definition likely to avoid any ambiguity when they are read.

Printouts shall retain their dimensions and recordings under normal conditions of humidity (10 to 90 %) and temperature.

[^{F3}The printout paper used by the recording equipment shall bear the relevant type approval mark and an indication of the type(s) of recording equipment with which it may be used.]

[^{F6}Printouts shall remain clearly legible and identifiable under normal conditions of storage, in terms of light intensity, humidity and temperature, for at least two years.

Status: Point in time view as at 22/02/2016.

Changes to legislation: There are currently no known outstanding effects for the Council Regulation (EEC) No 3821/85, ANNEX I B. (See end of Document for details)

The printout paper shall conform at least to the test specifications defined on the website of the laboratory appointed to carry out interoperability testing, as set out in Requirement 278.

Any amendment or updating of the specifications described in the above paragraph shall only be made after the appointed laboratory has consulted the type approved digital tachograph vehicle unit manufacturer in conjunction with the type approval authorities.]

It shall also be possible to add handwritten notes, such as the driver's signature, to these documents.

The recording equipment shall manage 'paper out' events while printing by, once paper has been re-loaded, restarting printing from printout beginning or by continuing printing and providing an unambiguous reference to previously printed part.

17. Warnings

The recording equipment shall warn the driver when detecting any event and/or fault.

Warning of a power supply interruption event may be delayed until the power supply is reconnected.

[^{F3}The recording equipment shall warn the driver 15 minutes before and at the time of exceeding the maximum allowed continuous driving time.]

Warnings shall be visual. Audible warnings may also be provided in addition to visual warnings.

Visual warnings shall be clearly recognisable by the user, shall be situated in the driver's field of vision and shall be clearly legible both by day and by night.

Visual warnings may be built into the recording equipment and/or remote from the recording equipment.

[^{F3}In the latter case it shall bear a 'T' symbol.]

Warnings shall have a duration of at least 30 seconds, unless acknowledged by the user by hitting any key of the recording equipment. This first acknowledgement shall not erase warning cause display referred to in next paragraph.

Warning cause shall be displayed on the recording equipment and remain visible until acknowledged by the user using a specific key or command of the recording equipment.

Additional warnings may be provided, as long as they do not confuse drivers in relation to previously defined ones.

18. Data downloading to external media

The recording equipment shall be able to download on request data from its data memory or from a driver card to external storage media via the calibration/downloading connector. The recording equipment shall update data stored on the relevant card before starting downloading.

In addition and as an optional feature, the recording equipment may, in any mode of operation, download data through another connector to a company authenticated through this channel. In such a case, company mode data access rights shall apply to this download.

Downloading shall not alter or delete any stored data.

The calibration/downloading connector electrical interface is specified in Appendix 6.

Downloading protocols are specified in Appendix 7.

Status: Point in time view as at 22/02/2016.

Changes to legislation: There are currently no known outstanding effects for the Council Regulation (EEC) No 3821/85, ANNEX I B. (See end of Document for details)

19. Output data to additional external devices

When the recording equipment does not include speed and/or odometer display functions, the recording equipment shall provide output signal(s) to allow for displaying the speed of the vehicle (speedometer) and/or the total distance travelled by the vehicle (odometer).

The vehicle unit shall also be able to output the following data using an appropriate dedicated serial link independent from an optional CAN bus connection (ISO 11898 Road vehicles — Interchange of digital information — Controller Area Network (CAN) for high speed communication), to allow their processing by other electronic units installed in the vehicle:

- current UTC date and time,
- speed of the vehicle,
- total distance travelled by the vehicle (odometer),
- currently selected driver and co-driver activity,
- information if any tachograph card is currently inserted in the driver slot and in the co-driver slot and (if applicable) information about the corresponding cards identification (card number and issuing Member State).

Other data may also be output in addition to this minimum list.

When the ignition of the vehicle is ON, these data shall be permanently broadcast. When the ignition of the vehicle is OFF, at least any change of driver or co-driver activity and/or any insertion or withdrawal of a tachograph card shall generate a corresponding data output. In the event that data output has been withheld whilst the ignition of the vehicle is OFF, that data shall be made available once the ignition of the vehicle is ON again.

20. Calibration

The calibration function shall allow:

- to automatically pair the motion sensor with the VU,
- to digitally adapt the constant of the recording equipment (k) to the characteristic coefficient of the vehicle (w) (vehicles with two or more axle ratios shall be fitted with a switch device whereby these various ratios will automatically be brought into line with the ratio for which the equipment has been adapted to the vehicle),
- to adjust (without limitation) the current time,
- to adjust the current odometer value,
- to update motion sensor identification data stored in the data memory,
- to update or confirm other parameters known to the recording equipment: vehicle identification, w , l , tyre size and speed limiting device setting if applicable.

Pairing the motion sensor to the VU shall consist, at least, in:

- updating motion sensor installation data held by the motion sensor (as needed),
- copying from the motion sensor to the VU data memory necessary motion sensor identification data.

The calibration function shall be able to input necessary data through the calibration/downloading connector in accordance with the calibration protocol defined in Appendix 8. The calibration function may also input necessary data through other connectors.

21. Time adjustment

Status: Point in time view as at 22/02/2016.

Changes to legislation: There are currently no known outstanding effects for the Council Regulation (EEC) No 3821/85, ANNEX I B. (See end of Document for details)

The time adjustment function shall allow for adjusting the current time in amounts of one minute maximum at intervals of not less than seven days.

The time adjustment function shall allow for adjusting the current time without limitation, in calibration mode.

22. Performance characteristics

The Vehicle Unit shall be fully operational in the temperature range - 20 °C to 70 °C, and the motion sensor in the temperature range - 40 °C to 135 °C. Data memory content shall be preserved at temperatures down to - 40 °C.

The recording equipment shall be fully operational in the humidity range 10 % to 90 %.

The recording equipment shall be protected against over-voltage, inversion of its power supply polarity, and short circuits.

[^{F6}Motion sensors shall either:

- react to a magnetic field which disturbs vehicle motion detection. In such circumstances, the vehicle unit will record and store a sensor fault (Requirement 070) or,

have a sensing element that is protected from, or immune to, magnetic fields.]

The recording equipment shall conform to Commission Directive 95/54/EC of 31 October 1995⁽⁹⁾ adapting to technical progress Council Directive 72/245/EEC⁽¹⁰⁾, related to electromagnetic compatibility, and shall be protected against electrostatic discharges and transients.

23. Materials

All the constituent parts of the recording equipment shall be made of materials of sufficient stability and mechanical strength and with stable electrical and magnetic characteristics.

For normal conditions of use, all the internal parts of the equipment shall be protected against damp and dust.

The Vehicle Unit shall meet the protection grade IP 40 and the motion sensor shall meet the protection grade IP 64, as per standard IEC 529.

The recording equipment shall conform to applicable technical specifications related to ergonomic design.

The recording equipment shall be protected against accidental damage.

24. Markings

If the recording equipment displays the vehicle odometer value and speed, the following details shall appear on its display:

- near the figure indicating the distance, the unit of measurement of distance, indicated by the abbreviation 'km',
- near the figure showing the speed, the entry 'km/h'.

The recording equipment may also be switched to display the speed in miles per hour, in which case the unit of measurement of speed shall be shown by the abbreviation 'mph'.

Status: Point in time view as at 22/02/2016.

Changes to legislation: There are currently no known outstanding effects for the Council Regulation (EEC) No 3821/85, ANNEX I B. (See end of Document for details)

A descriptive plaque shall be affixed to each separate component of the recording equipment and shall show the following details:

- name and address of the manufacturer of the equipment,
- manufacturer's part number and year of manufacture of the equipment,
- equipment serial number,
- approval mark for the equipment type.

When physical space is not sufficient to show all abovementioned details, the descriptive plaque shall show at least: the manufacturer's name or logo, and the equipment's part number.

IV. CONSTRUCTION AND FUNCTIONAL REQUIREMENTS FOR TACHOGRAPH CARDS

1. Visible data

The front page will contain:

the words 'Driver card' or 'Control card' or 'Workshop card' or 'Company card' printed in large type in the official language or languages of the Member State issuing the card, according to the type of the card;

[^{F8}]^{F9} the same words in the other official languages of the Community, printed to form the background of the card:

| | | | | |
|----|-----------------------|---------------------|------------------------------|-----------------------|
| BG | КАРТА НА ВОДАЧА | КОНТРОЛНА КАРТА | КАРТА ЗА МОНТАЖ И НАСТРОЙКИ | КАРТА НА ПРЕВОЗВАЧА |
| ES | TARJETA DEL CONDUCTOR | TARJETA DE CONTROL | TARJETA DEL CENTRO DE ENSAYO | TARJETA DE LA EMPRESA |
| CS | KARTA ŘIDIČE | KONTROLNÍ KARTA | KARTA DÍLNÝ | KARTA PODNIKU |
| DA | FØRERKORT | KONTROLKORT | VERKSTEDSKORT | FORIKSOMHEDSKORT |
| DE | FAHRERKART | KONTROLLKART | WERKSTATTKART | UNTERNEHMENSKARTE |
| ET | AUTOJUHI KAART | KONTROLLIJA KAART | TÖÖKOJA KAART | TÖÖANDJA KAART |
| EL | ΚΑΡΤΑ ΟΔΗΓΟΥ | ΚΑΡΤΑ ΕΛΕΓΧΟΥ | ΚΑΡΤΑ ΚΕΝΤΡΟΥ ΔΟΚΙΜΩΝ | ΚΑΡΤΑ ΕΠΙΧΕΙΡΗΣΗΣ |
| EN | DRIVER CARD | CONTROL CARD | WORKSHOP CARD | COMPANY CARD |
| FR | CARTE DE CONDUCTEUR | CARTE DE CONTROLEUR | CARTE D'ATELIER | CARTE D'ENTREPRISE |
| HR | KARTICA VOZAČA | NADZORNA KARTICA | KARTICA RADIONICE | KARTICA PRIJEVOZNIKA |
| GA | CÁRTA TIOMÁNAÍ | CÁRTA STIÚRTHA | CÁRTA CEARDLAINNE | CÁRTA COMHLACHTA |

Status: Point in time view as at 22/02/2016.

Changes to legislation: There are currently no known outstanding effects for the Council Regulation (EEC) No 3821/85, ANNEX I B. (See end of Document for details)

| | | | | |
|----|-----------------------------|--------------------|--------------------------------------|-----------------------------------|
| IT | CARTA DEL CONDUCENTE | CARTA DI CONTROLLO | CARTA DELL'OFFICINA | CARTA DELL'AZIENDA |
| LV | VADĪTĀJA KARTE | KONTROLKARTE | DARBNĪCAS KARTE | UZŅĒMUMA KARTE |
| LT | VAIRUOTOJO KORTELĖ | KONTROLĖS KORTELĖ | DIRBTUVĖS KORTELĖ | ĮMONĖS KORTELĖ |
| HU | GÉPJÁRMŰVEZÉSI KÁRTYA | ZELŐNŐRI KÁRTYA | MŰHELYKÁRTYA | ÜZEMBENTARTÓI KÁRTYA |
| MT | KARTA TAS-SEWWEQ | KARTA TAL-KONTROLL | KARTA TAL-ISTAZZJON TAT-TESTIJET | KARTA TAL-KUMPAJNIJA |
| NL | BESTUURDERSKAART | CONTROLEKAART | WERKPLAATSBAARD | BEREIKSKAART |
| PL | KARTA KIEROWCY | KARTA KONTROLNA | KARTA WARSZTATOWA | KARTA PRZEDSIĘBIORSTWA |
| PT | CARTÃO DE CONDUTOR | CARTÃO DE CONTROLO | CARTÃO DO CENTRO DE ENSAIO | CARTÃO DE EMPRESA |
| RO | CARTELA CONDUCĂTORULUI AUTO | CARTELA DE CONTROL | CARTELA AGENTULUI ECONOMIC AUTORIZAT | CARTELA OPERATORULUI DE TRANSPORT |
| SK | KARTA VODIČA | KONTROLNÁ KARTA | DIELENSKÁ KARTA | PODNIKOVÁ KARTA |
| SL | VOZNIKOVA KARTICA | KONTROLNA KARTICA | KARTICA PREIZKUŠEVALNIŠČE | KARTICA PISARJE |
| FI | KULJETTAJAKORTI | OHJONTAKORTI | KORJAAMOKORTI | RIIYSKORTTI |
| SV | FÖRARKORT | KONTROLLKORT | VERKSTADSKORT | ÖRETAGSKORT]] |

the name of the Member State issuing the card (optional);

[^{F8}]^{F9}the distinguishing sign of the Member State issuing the card, printed in negative in a blue rectangle and encircled by 12 yellow stars; the distinguishing signs shall be as follows:

| | | |
|-----|---|--------------------|
| B | : | Belgium |
| BG | : | Bulgaria |
| CZ | : | The Czech Republic |
| DK | : | Denmark |
| D | : | Germany |
| EST | : | Estonia |
| GR | : | Greece |
| E | : | Spain |
| F | : | France |
| HR | : | Croatia |
| IRL | : | Ireland |

Status: Point in time view as at 22/02/2016.

Changes to legislation: There are currently no known outstanding effects for the Council Regulation (EEC) No 3821/85, ANNEX I B. (See end of Document for details)

| | | |
|-----|---|-----------------------|
| I | : | Italy |
| CY | : | Cyprus |
| LV | : | Latvia |
| LT | : | Lithuania |
| L | : | Luxembourg |
| H | : | Hungary |
| M | : | Malta |
| NL | : | The Netherlands |
| A | : | Austria |
| PL | : | Poland |
| P | : | Portugal |
| RO | : | Romania |
| SLO | : | Slovenia |
| SK | : | Slovakia |
| FIN | : | Finland |
| S | : | Sweden |
| UK | : | The United Kingdom.]] |

information specific to the card issued, numbered as follows:

| | Driver card | Control card | Company or workshop card |
|--------------|---|---|--|
| 1. | Surname of the driver | Control body name | [^{XI} Company or workshop name] |
| 2. | First name(s) of the driver | Surname of the controller (if applicable) | Surname of card holder (if applicable) |
| 3. | Birth date of the driver | First name(s) of the controller (if applicable) | First name(s) of card holder (if applicable) |
| 4.(a) | Card start of validity date | | |
| (b) | Card expiry date (if any) | | |
| (c) | The name of the issuing authority (may be printed on page 2) | | |
| (d) | A different number from the one under heading 5, for administrative purposes (optional) | | |
| 5.(a) | Driving licence number (at the date of issue of the driver card) | | |
| 5.(b) | Card number | | |
| 6. | Photograph of the driver | Photograph of the controller (optional) | — |
| 7. | Signature of the driver | Signature of the holder (optional) | |

Status: Point in time view as at 22/02/2016.

Changes to legislation: There are currently no known outstanding effects for the Council Regulation (EEC) No 3821/85, ANNEX I B. (See end of Document for details)

| | | | |
|-----------|---|--------------------------------|---------------------------------------|
| 8. | Normal place of residence, or postal address of the holder (optional) | Postal address of control body | Postal address of company or workshop |
|-----------|---|--------------------------------|---------------------------------------|

dates shall be written using a 'dd/mm/yyyy' or 'dd.mm.yyyy' format (day, month, year);

Editorial Information

- X1** Substituted by Corrigendum to Commission Regulation (EC) No 1360/2002 of 13 June 2002 adapting for the seventh time to technical progress Council Regulation (EEC) No 3821/85 on recording equipment in road transport (Official Journal of the European Communities L 207 of 5 August 2002).

Textual Amendments

- F8** Substituted by Council Regulation (EC) No 1791/2006 of 20 November 2006 adapting certain Regulations and Decisions in the fields of free movement of goods, freedom of movement of persons, company law, competition policy, agriculture (including veterinary and phytosanitary legislation), transport policy, taxation, statistics, energy, environment, cooperation in the fields of justice and home affairs, customs union, external relations, common foreign and security policy and institutions, by reason of the accession of Bulgaria and Romania.
- F9** Substituted by Council Regulation (EU) No 517/2013 of 13 May 2013 adapting certain regulations and decisions in the fields of free movement of goods, freedom of movement for persons, company law, competition policy, agriculture, food safety, veterinary and phytosanitary policy, transport policy, energy, taxation, statistics, trans-European networks, judiciary and fundamental rights, justice, freedom and security, environment, customs union, external relations, foreign, security and defence policy and institutions, by reason of the accession of the Republic of Croatia.

the reverse page will contain:

an explanation of the numbered items which appear on the front page of the card;
with the specific written agreement of the holder, information which is not related to the administration of the card may also be added, such addition will not alter in any way the use of the model as a tachograph card.

Status: Point in time view as at 22/02/2016.

Changes to legislation: There are currently no known outstanding effects for the Council Regulation (EEC) No 3821/85, ANNEX I B. (See end of Document for details)

COMMUNITY MODEL TACHOGRAPH CARDS

| FRONT | REVERSE |
|---|---|
| <p style="text-align: center;">DRIVER CARD</p> <div style="display: flex; justify-content: space-between;"> <div style="width: 45%;"> <p>1. MS</p> <p>2.</p> <p>3.</p> <p>4a.</p> <p>4c. (4d.)</p> <p>5a.</p> <p>5b.</p> <p>7.</p> <p>(8.)</p> </div> <div style="width: 45%;"> <p style="text-align: center;">MEMBER STATE</p> <p>TARJETA DEL CONDUCIDOR</p> <p>FÖRARKORT</p> <p>FAHRERKARTE</p> <p>4b. KAPTA O ΔΗΓΙΟΥ</p> <p>DRIVER CARD</p> <p>CARTE DE CONDUCTEUR</p> <p>CÁRTA TIOMÁNAÍ</p> <p>CARTA DEL CONDUCENTE</p> <p>BESTUURDESKAART</p> <p>CARTÃO DE CONDUTOR</p> <p>►⁽¹⁾ KULJETTAJAKORTTI ◀</p> <p>FÖRARKORT</p> </div> </div> | <p style="text-align: center;">REVERSE</p> <div style="display: flex; justify-content: space-between;"> <div style="width: 45%;"> <p>1. Surname</p> <p>2. First name(s)</p> <p>3. Birth date</p> <p>4a. Date of start of validity of card</p> <p>4b. Administrative expiry date of card</p> <p>4c. Issuing authority</p> <p>(4d.) No for national administrative purposes</p> <p>5a. Driving license number</p> <p>5b. Card number</p> <p>6. Photograph</p> <p>7. Signature</p> <p>(8.) Address</p> <p style="text-align: center;"><i>Please return to:</i></p> <p style="text-align: center;">NAME OF AUTHORITY AND ADDRESS</p> </div> <div style="width: 45%; text-align: right;"> <p>A</p> </div> </div> |
| <p style="text-align: center;">CONTROL CARD</p> <div style="display: flex; justify-content: space-between;"> <div style="width: 45%;"> <p>1. MS</p> <p>(2.)</p> <p>(3.)</p> <p>4a.</p> <p>4c. (4d.)</p> <p>5b.</p> <p>(7.)</p> <p>8.</p> </div> <div style="width: 45%;"> <p style="text-align: center;">MEMBER STATE</p> <p>TARJETA DE CONTROL</p> <p>KONTROLLKORT</p> <p>KONTROLLKARTE</p> <p>4b. KAPTA ΕΛΕΓΧΟΥ</p> <p>CONTROL CARD</p> <p>►⁽²⁾ CARTE DE CONTRÔLEUR ◀</p> <p>CÁRTA STIURTHĂ</p> <p>CARTA DI CONTROLLO</p> <p>CONTROLEKAART</p> <p>CARTÃO DE CONTROLO</p> <p>►⁽³⁾ VALVONTAKORTTI ◀</p> <p>KONTROLLKORT</p> </div> </div> | <div style="display: flex; justify-content: space-between;"> <div style="width: 45%;"> <p>1. Control Body</p> <p>(2.) Surname</p> <p>(3.) First name(s)</p> <p>4a. Date of start of validity of card</p> <p>4b. Administrative expiry date of card</p> <p>4c. Issuing authority</p> <p>(4d.) No for national administrative purposes</p> <p>5b. Card number</p> <p>(6.) Photograph</p> <p>(7.) Signature</p> <p>8. Address</p> <p style="text-align: center;"><i>Please return to:</i></p> <p style="text-align: center;">NAME OF AUTHORITY AND ADDRESS</p> </div> <div style="width: 45%; text-align: right;"> <p>A</p> </div> </div> |
| <p style="text-align: center;">WORKSHOP CARD</p> <div style="display: flex; justify-content: space-between;"> <div style="width: 45%;"> <p>1. MS</p> <p>(2.)</p> <p>(3.)</p> <p>4a.</p> <p>4c. (4d.)</p> <p>5b.</p> <p>(7.)</p> <p>8.</p> </div> <div style="width: 45%;"> <p style="text-align: center;">MEMBER STATE</p> <p>TARJETA DEL CENTRO DE ENSAIO</p> <p>VÆRKSTEDSKORT</p> <p>WERKSTATTKARTE</p> <p>4b. KAPTA ΕΕΝΤΡΥ ΑΚΙΜΩΝ</p> <p>WORKSHOP CARD</p> <p>CARTE D'ATELIER</p> <p>CÁRTA CEARDLAINNE</p> <p>►⁽⁴⁾ CARTA DELL'OFFICINA ◀</p> <p>►⁽⁵⁾ WERKPLAATSKAART ◀</p> <p>CARTÃO DO CENTRO DE ENSAIO</p> <p>►⁽⁶⁾ KORJAAMOKORTTI ◀</p> <p>VERKSTADSKORT</p> </div> </div> | <div style="display: flex; justify-content: space-between;"> <div style="width: 45%;"> <p>1. Workshop Name</p> <p>(2.) Surname</p> <p>(3.) First name(s)</p> <p>4a. Date of start of validity of card</p> <p>4b. Administrative expiry date of card</p> <p>4c. Issuing authority</p> <p>(4d.) No for national administrative purposes</p> <p>5b. Card number</p> <p>(7.) Signature</p> <p>8. Address</p> <p style="text-align: center;"><i>Please return to:</i></p> <p style="text-align: center;">NAME OF AUTHORITY AND ADDRESS</p> </div> <div style="width: 45%; text-align: right;"> <p>A</p> </div> </div> |
| <p style="text-align: center;">COMPANY CARD</p> <div style="display: flex; justify-content: space-between;"> <div style="width: 45%;"> <p>1. MS</p> <p>(2.)</p> <p>(3.)</p> <p>4a.</p> <p>4c. (4d.)</p> <p>5b.</p> <p>(7.)</p> <p>8.</p> </div> <div style="width: 45%;"> <p style="text-align: center;">MEMBER STATE</p> <p>TARJETA DE LA EMPRESA</p> <p>VIRKSOMHEDSKORT</p> <p>UNTERNEHMENSKARTE</p> <p>4b. KAPTA ΕΠΙΧΕΙΡΗΣΗΣ</p> <p>COMPANY CARD</p> <p>CARTE D'ENTREPRISE</p> <p>CÁRTA COMLACHTA</p> <p>CARTA DELL'AZIENDA</p> <p>BEDRIJFSKAART</p> <p>CARTÃO DE EMPRESA</p> <p>►⁽⁷⁾ YRITYSKORTTI ◀</p> <p>FÖRETAGSKORT</p> </div> </div> | <div style="display: flex; justify-content: space-between;"> <div style="width: 45%;"> <p>1. Company Name</p> <p>(2.) Surname</p> <p>(3.) First name(s)</p> <p>4a. Date of start of validity of card</p> <p>4b. Administrative expiry date of card</p> <p>4c. Issuing authority</p> <p>(4d.) No for national administrative purposes</p> <p>5b. Card number</p> <p>(7.) Signature</p> <p>8. Address</p> <p style="text-align: center;"><i>Please return to:</i></p> <p style="text-align: center;">NAME OF AUTHORITY AND ADDRESS</p> </div> <div style="width: 45%; text-align: right;"> <p>A</p> </div> </div> |

Tachograph cards shall be printed with the following background predominant colours:

- driver card: white,
- control card: blue,
- workshop card: red,
- company card: yellow.

Tachograph cards shall bear at least the following features for protection of the card body against counterfeiting and tampering:

- a security design background with fine guilloche patterns and rainbow printing,
- in the area of the photograph, the security design background and the photograph shall overlap,
- at least one two-coloured microprint line.

Status: Point in time view as at 22/02/2016.

Changes to legislation: There are currently no known outstanding effects for the Council Regulation (EEC) No 3821/85, ANNEX I B. (See end of Document for details)

After consulting the Commission, Member States may add colours or markings, such as national symbols and security features, without prejudice to the other provisions of this Annex.

2. Security

The system security aims at protecting integrity and authenticity of data exchanged between the cards and the recording equipment, protecting the integrity and authenticity of data downloaded from the cards, allowing certain write operations onto the cards to recording equipment only, ruling out any possibility of falsification of data stored in the cards, preventing tampering and detecting any attempt of that kind.

In order to achieve the system security, the tachograph cards shall meet the security requirements defined in the tachograph cards generic security target (Appendix 10).

Tachograph cards shall be readable by other equipment such as personal computers.

3. Standards

The tachograph cards shall comply with the following standards:

- ISO/IEC 7810 Identification cards — Physical characteristics,
- ISO/IEC 7816 Identification cards — Integrated circuits with contacts:
 - Part 1: Physical characteristics,
 - Part 2: Dimensions and location of the contacts,
 - Part 3: Electronic signals and transmission protocols,
 - Part 4: Inter-industry commands for interchange,
 - Part 8: Security related inter-industry commands,
- ISO/IEC 10373 Identification cards — Test methods.

4. Environmental and electrical specifications

The tachograph cards shall be capable of operating correctly in all the climatic conditions normally encountered in Community territory and at least in the temperature range - 25 °C to + 70 °C with occasional peaks of up to + 85 °C, ‘occasional’ meaning not more than 4 hours each time and not over 100 times during the lifetime of the card.

The tachograph cards shall be capable of operating correctly in the humidity range 10 % to 90 %.

The tachograph cards shall be capable of operating correctly for a five-year period if used within the environmental and electrical specifications.

During operation, the tachograph cards shall conform to Commission Directive 95/54/EC of 31 October 1995⁽¹¹⁾, related to electromagnetic compatibility, and shall be protected against electrostatic discharges.

5. Data storage

For the purpose of this paragraph,

- times are recorded with a resolution of one minute, unless otherwise specified,
- odometer values are recorded with a resolution of one kilometre,
- speeds are recorded with a resolution of 1 km/h.

The tachograph cards functions, commands and logical structures, fulfilling data storage requirements are specified in Appendix 2.

Status: Point in time view as at 22/02/2016.

Changes to legislation: There are currently no known outstanding effects for the Council Regulation (EEC) No 3821/85, ANNEX I B. (See end of Document for details)

This paragraph specifies minimum storage capacity for the various application data files. The tachograph cards shall be able to indicate to the recording equipment the actual storage capacity of these data files.

Any additional data that may be stored on tachograph cards, related to other applications eventually borne by the card, shall be stored in accordance with Directive 95/46/EC of 24 October 1995 on the protection of individuals with regard to the processing of personal data and on the free movement of such data⁽¹²⁾.

5.1. Card identification and security data

5.1.1. Application identification

The tachograph cards shall be able to store the following application identification data:

- tachograph application identification,
- type of tachograph card identification.

5.1.2. Chip identification

The tachograph cards shall be able to store the following integrated circuit (IC) identification data:

- IC serial number,
- IC manufacturing references.

5.1.3. IC card identification

The tachograph cards shall be able to store the following smart card identification data:

- card serial number (including manufacturing references),
- card type approval number,
- card personaliser identification (ID),
- embedder ID,
- IC identifier.

5.1.4. Security elements

The tachograph cards shall be able to store the following security elements data:

- European public key,
- Member State certificate,
- card certificate,
- card private key.

5.2. Driver card

5.2.1. Card identification

The driver card shall be able to store the following card identification data:

- card number,
- issuing Member State, issuing authority name, issue date,
- card beginning of validity date, card expiry date.

5.2.2. Card holder identification

The driver card shall be able to store the following card holder identification data:

- surname of the holder,
- first name(s) of the holder,

Status: Point in time view as at 22/02/2016.

Changes to legislation: There are currently no known outstanding effects for the Council Regulation (EEC) No 3821/85, ANNEX I B. (See end of Document for details)

- date of birth,
- preferred language.

5.2.3. Driving licence information

The driver card shall be able to store the following driving licence data:

- issuing Member State, issuing authority name,
- driving licence number (at the date of the issue of the card).

5.2.4. Vehicles used data

The driver card shall be able to store, for each calendar day where the card has been used, and for each period of use of a given vehicle that day (a period of use includes all consecutive insertion/withdrawal cycle of the card in the vehicle, as seen from the card point of view), the following data:

- date and time of first use of the vehicle (i.e. first card insertion for this period of use of the vehicle, or 00.00 if the period of use is on-going at that time),
- vehicle odometer value at that time,
- date and time of last use of the vehicle, (i.e. last card withdrawal for this period of use of the vehicle, or 23.59 if the period of use is on-going at that time),
- vehicle odometer value at that time,
- VRN and registering Member State of the vehicle.

The driver card shall be able to store at least 84 such records.

5.2.5. Driver activity data

The driver card shall be able to store, for each calendar day where the card has been used or for which the driver has entered activities manually, the following data:

- the date,
- a daily presence counter (increased by one for each of these calendar days),
- the total distance travelled by the driver during this day,
- a driver status at 00.00,
- whenever the driver has changed of activity, and/or has changed of driving status, and/or has inserted or withdrawn his card:
 - the driving status (CREW, SINGLE),
 - the slot (DRIVER, CO-DRIVER),
 - the card status (INSERTED, NOT INSERTED),
 - the activity (DRIVING, AVAILABILITY, WORK, BREAK/REST),
 - the time of the change.

The driver card memory shall be able to hold driver activity data for at least 28 days (the average activity of a driver is defined as 93 activity changes per day).

The data listed under requirements 197 and 199 shall be stored in a way allowing the retrieval of activities in the order of their occurrence, even in case of a time overlap situation.

5.2.6. Places where daily work periods start and/or end

The driver card shall be able to store the following data related to places where daily work periods begin and/or end, entered by the driver:

- the date and time of the entry (or the date/time related to the entry if the entry is made during the manual entry procedure),

Status: Point in time view as at 22/02/2016.

Changes to legislation: There are currently no known outstanding effects for the Council Regulation (EEC) No 3821/85, ANNEX I B. (See end of Document for details)

- the type of entry (begin or end, condition of entry),
- the country and region entered,
- the vehicle odometer value.

The driver card memory shall be able to hold at least 42 pairs of such records.

5.2.7. Events data

For the purpose of this subparagraph, time shall be stored with a resolution of one second.

The driver card shall be able to store data related to the following events detected by the recording equipment while the card was inserted:

- time overlap (where this card is the cause of the event),
- card insertion while driving (where this card is the subject of the event),
- last card session not correctly closed (where this card is the subject of the event),
- power supply interruption,
- motion data error,
- security breach attempts.

The driver card shall be able to store the following data for these events:

- event code,
- date and time of beginning of the event (or of card insertion if the event was on-going at that time),
- date and time of end of the event (or of card withdrawal if the event was on-going at that time),
- VRN and registering Member State of vehicle in which the event happened.

Note: For the ‘time overlap’ event:

- date and time of beginning of the event shall correspond to the date and time of the card withdrawal from the previous vehicle,
- date and time of end of the event shall correspond to the date and time of card insertion in current vehicle,
- vehicle data shall correspond to the current vehicle raising the event.

Note: For the ‘last card session not correctly closed’ event:

- date and time of beginning of event shall correspond to the card insertion date and time of the session not correctly closed,
- date and time of end of event shall correspond to the card insertion date and time of the session during which the event was detected (current session),
- vehicle data shall correspond to the vehicle in which the session was not correctly closed.

The driver card shall be able to store data for the six most recent events of each type (i.e. 36 events).

5.2.8. Faults data

For the purpose of this subparagraph, time shall be recorded with a resolution of one second.

The driver card shall be able to store data related to the following faults detected by the recording equipment while the card was inserted:

- card fault (where this card is the subject of the event),
- recording equipment fault.

Status: Point in time view as at 22/02/2016.

Changes to legislation: There are currently no known outstanding effects for the Council Regulation (EEC) No 3821/85, ANNEX I B. (See end of Document for details)

The driver card shall be able to store the following data for these faults:

- fault code,
- date and time of beginning of the fault (or of card insertion if the fault was on-going at that time),
- date and time of end of the fault (or of card withdrawal if the fault was on-going at that time),
- VRN and registering Member State of vehicle in which the fault happened.

The driver card shall be able to store data for the twelve most recent faults of each type (i.e. 24 faults).

5.2.9. Control activity data

The driver card shall be able to store the following data related to control activities:

- date and time of the control,
- control card number and card issuing Member State,
- type of the control (displaying and/or printing and/or VU downloading and/or card downloading (see note)),
- period downloaded, in case of downloading,
- VRN and registering Member State of the vehicle in which the control happened.

Note: security requirements imply that card downloading will only be recorded if performed through a recording equipment.

The driver card shall be able to hold one such record.

5.2.10. Card session data

The driver card shall be able to store data related to the vehicle which opened its current session:

- date and time the session was opened (i.e. card insertion) with a resolution of one second,
- VRN and registering Member State.

5.2.11. Specific conditions data

The driver card shall be able to store the following data related to specific conditions entered while the card was inserted (whatever the slot):

- date and time of the entry,
- type of specific condition.

The driver card shall be able to hold 56 such records.

5.3. Workshop card

5.3.1. Security elements

The workshop card shall be able to store a personal identification number (PIN code).

The workshop card shall be able to store the cryptographic keys needed for pairing motion sensors to vehicle units.

5.3.2. Card identification

The workshop card shall be able to store the following card identification data:

- card number,
- issuing Member State, issuing authority name, issue date,

Status: Point in time view as at 22/02/2016.

Changes to legislation: There are currently no known outstanding effects for the Council Regulation (EEC) No 3821/85, ANNEX I B. (See end of Document for details)

— card beginning of validity date, card expiry date.

5.3.3. Card holder identification

The workshop card shall be able to store the following card holder identification data:

- workshop name,
- workshop address,
- surname of the holder,
- first name(s) of the holder,
- preferred language.

5.3.4. Vehicles used data

The workshop card shall be able to store vehicles used data records in the same manner as a driver card.

The workshop card shall be able to store at least 4 such records.

5.3.5. Driver activity data

The workshop card shall be able to store driver activity data in the same manner as a driver card.

The workshop card shall be able to hold driver activity data for at least one day of average driver activity.

5.3.6. Daily work periods start and/or end data

The workshop card shall be able to store daily works period start and/or end data records in the same manner as a driver card.

The workshop card shall be able to hold at least three pairs of such records.

5.3.7. Events and faults data

The workshop card shall be able to store events and faults data records in the same manner as a driver card.

The workshop card shall be able to store data for the three most recent events of each type (i.e. 18 events) and the six most recent faults of each type (i.e. 12 faults).

5.3.8. Control activity data

The workshop card shall be able to store a control activity data record in the same manner as a driver card.

5.3.9. Calibration and time adjustment data

The workshop card shall be able to hold records of calibrations and/or time adjustments performed while the card is inserted in a recording equipment.

Each calibration record shall be able to hold the following data:

- [^{F10}purpose of calibration (activation, first installation, installation, periodic inspection)],
- vehicle identification,
- parameters updated or confirmed (w, k, l, tyre size, speed limiting device setting, odometer (new and old values), date and time (new and old values),
- recording equipment identification (VU part number, VU serial number, motion sensor serial number).

Status: Point in time view as at 22/02/2016.

Changes to legislation: There are currently no known outstanding effects for the Council Regulation (EEC) No 3821/85, ANNEX I B. (See end of Document for details)

Textual Amendments

- F10** Substituted by [Commission Regulation \(EC\) No 432/2004 of 5 March 2004 adapting for the eighth time to technical progress Council Regulation \(EEC\) No 3821/85 of 20 December 1985 on recording equipment in road transport \(Text with EEA relevance\)](#).

The workshop card shall be able to store at least 88 such records.

The workshop card shall hold a counter indicating the total number of calibrations performed with the card.

The workshop card shall hold a counter indicating the number of calibrations performed since its last download.

5.3.10. Specific conditions data

The workshop card shall be able to store data relevant to specific conditions in the same manner as the driver card. The workshop card shall be able to store two such records.

5.4. Control card

5.4.1. Card identification

The control card shall be able to store the following card identification data:

- card number,
- issuing Member State, issuing authority name, issue date,
- card beginning of validity date, card expiry date (if any).

5.4.2. Card holder identification

The control card shall be able to store the following card holder identification data:

- control body name,
- control body address,
- surname of the holder,
- first name(s) of the holder,
- preferred language.

5.4.3. Control activity data

The control card shall be able to store the following control activity data:

- date and time of the control,
- type of the control (displaying and/or printing and/or VU downloading and/or card downloading),
- period downloaded (if any),
- VRN and Member State registering authority of the controlled vehicle,
- card number and card issuing Member State of the driver card controlled.

The control card shall be able to hold at least 230 such records.

5.5. Company card

5.5.1. Card identification

The company card shall be able to store the following card identification data:

- card number,

Status: Point in time view as at 22/02/2016.

Changes to legislation: There are currently no known outstanding effects for the Council Regulation (EEC) No 3821/85, ANNEX I B. (See end of Document for details)

- issuing Member State, issuing authority name, issue date,
- card beginning of validity date, card expiry date (if any).

5.5.2. Card holder identification

The company card shall be able to store the following card holder identification data:

- company name,
- company address.

5.5.3. Company activity data

The company card shall be able to store the following company activity data:

- date and time of the activity,
- type of the activity (VU locking in and/or out, and/or VU downloading and/or card downloading),
- period downloaded (if any),
- VRN and Member State registering authority of vehicle,
- card number and card issuing Member State (in case of card downloading).

The company card shall be able to hold at least 230 such records.

V. INSTALLATION OF RECORDING EQUIPMENT

1. Installation

New recording equipment shall be delivered non-activated to fitters or vehicle manufacturers, with all calibration parameters, as listed in Chapter III(20), set to appropriate and valid default values. Where no particular value is appropriate, literal parameters shall be set to strings of '?' and numeric parameters shall be set to '0'. ^[F6]Delivery of security relevant parts of the recording equipment can be restricted if required during security certification.]

Before its activation, the recording equipment shall give access to the calibration function even if not in calibration mode.

Before its activation, the recording equipment shall neither record nor store data referred by points III.12.3. to III.12.9. and III.12.12 to III.12.14. inclusive.

During installation, vehicle manufacturers shall pre-set all known parameters.

^[F3]Vehicle manufacturers or fitters shall activate the installed recording equipment at the latest before the vehicle is used in scope of Regulation (EC) No. 561/2006.]

The activation of the recording equipment shall be triggered automatically by the first insertion of a workshop card in either of its card interface devices.

Specific pairing operations required between the motion sensor and the vehicle unit, if any, shall take place automatically before or during activation.

After its activation, the recording equipment shall fully enforce functions and data access rights.

The recording and storing functions of the recording equipment shall be fully operational after its activation.

^[F3]Installation shall be followed by a calibration. The first calibration may not necessarily include entry of the vehicle registration number (VRN), when it is not known by the approved workshop having to undertake this calibration. In these circumstances, it shall be possible, for the vehicle owner, and at this time only, to enter the VRN using his Company Card prior to

Status: Point in time view as at 22/02/2016.

Changes to legislation: There are currently no known outstanding effects for the Council Regulation (EEC) No 3821/85, ANNEX I B. (See end of Document for details)

using the vehicle in scope of Regulation (EC) No. 561/2006 (e.g by using commands through an appropriate menu structure of the vehicle unit's man-machine interface.)⁽¹³⁾. Any update or confirmation of this entry shall only be possible using a Workshop Card.]

The recording equipment must be positioned in the vehicle in such a way as to allow the driver to access the necessary functions from his seat.

2. Installation plaque

[^{F3}After the recording equipment has been checked on installation, an installation plaque which is clearly visible and easily accessible shall be affixed onto the recording equipment. In cases where this is not possible, the plaque shall be affixed to the vehicle's 'B' pillar so that it is clearly visible. For vehicles that do not have a 'B' pillar, the installation plaque should be affixed to the doorframe on the driver's side of the vehicle and be clearly visible in all cases. After every inspection by an approved fitter or workshop, a new plaque shall be affixed in place of the previous one.]

[^{F11}The plaque shall bear at least the following details:

Textual Amendments

F11 Substituted by [Commission Regulation \(EC\) No 68/2009 of 23 January 2009 adapting for the ninth time to technical progress Council Regulation \(EEC\) No 3821/85 on recording equipment in road transport \(Text with EEA relevance\)](#).

- name, address or trade name of the approved fitter or workshop,
- characteristic coefficient of the vehicle, in the form 'w = ... imp/km',
- constant of the recording equipment, in the form 'k = ... imp/km',
- effective circumference of the wheel tyres in the form 'l = ... mm',
- tyre size,
- [^{F3}the date on which the characteristic coefficient of the vehicle and the effective circumference of the wheel tyres were measured,]
- the vehicle identification number,
- the part of the vehicle where the adaptor, if any, is installed,
- the part of the vehicle where the motion sensor is installed, if not connected to the gear-box or an adaptor is not being used,
- a description of the colour of the cable between the adaptor and that part of the vehicle providing its incoming impulses,
- the serial number of the embedded motion sensor of the adaptor.]

[^{F3}For M1 and N1 vehicles only, and which are fitted with an adaptor in conformity with Regulation (EC) No. 68/2009⁽¹⁴⁾, and where it is not possible to include all the information necessary, as described in Requirement 250, a second, additional, plaque may be used. In such cases, this additional plaque shall contain at least the last four indents described in Requirement 250. This second, additional plaque, if used, shall be affixed next to or beside the first primary plaque described in Requirement 250, and shall have the same protection level. Furthermore the secondary plaque shall also bear the name, address or trade name of the approved fitter or workshop that carried out the installation, and the date of installation.]

3. Sealing

The following part shall be sealed:

Status: Point in time view as at 22/02/2016.

Changes to legislation: There are currently no known outstanding effects for the Council Regulation (EEC) No 3821/85, ANNEX I B. (See end of Document for details)

- any connection which, if disconnected, would cause undetectable alterations to be made or undetectable data loss,
- the installation plaque, unless it is attached in such a way that it cannot be removed without the markings thereon being destroyed.

The seals mentioned above may be removed:

- in case of emergency,
- to install, to adjust or to repair a speed limitation device or any other device contributing to road safety, provided that the recording equipment continues to function reliably and correctly and is resealed by an approved fitter or workshop (in accordance with Chapter VI) immediately after fitting the speed limitation device or any other device contributing to road safety or within seven days in other cases.

On each occasion that these seals are broken a written statement giving the reasons for such action shall be prepared and made available to the competent authority.

VI. CHECKS, INSPECTIONS AND REPAIRS

Requirements on the circumstances in which seals may be removed, as referred to in Article 12.5 of Regulation (EEC) No 3821/85 as last amended by Regulation (EC) No 2135/98, are defined in Chapter V(3) of this annex.

1. Approval of fitters or workshops

The Member States will approve, regularly control and certify the bodies to carry out:

- installations,
- checks,
- inspections,
- repairs.

In the framework of Article 12(1) of this Regulation, workshop cards will be issued only to fitters and/or workshops approved for the activation and/or the calibration of recording equipment in conformity with this annex and, unless duly justified:

- who are not eligible for a company card,
- and whose other professional activities do not present a potential compromise of the overall security of the system as defined in Appendix 10.

2. Check of new or repaired instruments

Every individual device, whether new or repaired, shall be checked in respect of its proper operation and the accuracy of its reading and recordings, within the limits laid down in Chapter III.2.1. and III.2.2 by means of sealing in accordance with Chapter V.3. and calibration.

3. Installation inspection

When being fitted to a vehicle, the whole installation (including the recording equipment) shall comply with the provisions relating to maximum tolerances laid down in Chapter III.2.1 and III.2.2.

4. Periodic inspections

Periodic inspections of the equipment fitted to the vehicles shall take place after any repair of the equipment, or after any alteration of the characteristic coefficient of the vehicle or of the effective circumference of the tyres, or after equipment UTC time is wrong by more than 20 minutes, or when the VRN has changed, and at least once within two years (24 months) of the last inspection.

Status: Point in time view as at 22/02/2016.

Changes to legislation: There are currently no known outstanding effects for the Council Regulation (EEC) No 3821/85, ANNEX I B. (See end of Document for details)

These inspections shall include the following checks:

- that the recording equipment is working properly, including the data storage in tachograph cards function,
- that compliance with the provisions of Chapter III.2.1 and III.2.2 on the maximum tolerances on installation is ensured,
- that the recording equipment carries the type approval mark,
- [^{F3}that the installation plaque, as defined by Requirement 250, and the descriptive plaque, as defined by Requirement 169, are affixed,]
- that the seals on the equipment and on the other parts of the installation are intact,
- the tyre size and the actual circumference of the wheel tyres,
- [^{F6}that there are no manipulation devices attached to the equipment.]

[^{F6}If one of the events listed in Chapter III Section 9 (Detection of Events and/or Faults) is found to have occurred since the last inspection and is considered by tachograph manufacturers and/or national authorities as potentially putting the security of the equipment at risk, the workshop shall:

- (a) make a comparison between the motion sensor identification data of the motion sensor plugged into the gearbox with that of the paired motion sensor registered in the vehicle unit;
- (b) check if the information recorded on the installation plaque matches with the information contained within the vehicle unit record;
- (c) by checking if the motion sensor serial number and approval number, if printed on the body of the motion sensor, matches the information contained within the vehicle unit record.

Workshops shall keep traces in their inspection reports of any findings concerning broken seals or manipulations devices. These reports shall be kept by workshops for at least two years and made available to the Competent Authority whenever requested to do so.]

These inspections shall include a calibration.

5. Measurement of errors

The measurement of errors on installation and during use shall be carried out under the following conditions, which are to be regarded as constituting standard test conditions:

- vehicle unladen, in normal running order,
- tyre pressures in accordance with the manufacturer's instructions,
- tyre wear, within the limits allowed by national law,
- vehicle movement:
 - the vehicle shall advance under its own engine power in a straight line on level ground and at a speed of 50 ± 5 km/h. The measuring distance shall be at least 1 000 m,
- provided that it is of comparable accuracy, alternative methods, such as a suitable test bench, may also be used for the test.

6. Repairs

Workshops shall be able to download data from the recording equipment to give the data back to the appropriate transport company.

Status: Point in time view as at 22/02/2016.

Changes to legislation: There are currently no known outstanding effects for the Council Regulation (EEC) No 3821/85, ANNEX I B. (See end of Document for details)

Approved workshops shall issue to transport companies a certificate of data un-downloadability where the malfunction of the recording equipment prevents previously recorded data to be downloaded, even after repair by this workshop. The workshops will keep a copy of each issued certificate for at least one year.

VII. CARD ISSUING

The card issuing processes set-up by the Member States shall conform to the following:

The card number of the first issue of a tachograph card to an applicant shall have a consecutive index (if applicable) and a replacement index and a renewal index set to '0'.

The card numbers of all non-personal tachograph cards issued to a single control body or a single workshop or a single transport company shall have the same first 13 digits, and shall all have a different consecutive index.

A tachograph card issued in replacement of an existing tachograph card shall have the same card number as the replaced one except the replacement index which shall be raised by '1' (in the order 0, ..., 9, A, ..., Z).

A tachograph card issued in replacement of an existing tachograph card shall have the same card expiry date as the replaced one.

A tachograph card issued in renewal of an existing tachograph card shall have the same card number as the renewed one except the replacement index which shall be reset to '0' and the renewal index which shall be raised by '1' (in the order 0, ..., 9, A, ..., Z).

The exchange of an existing tachograph card, in order to modify administrative data, shall follow the rules of the renewal if within the same Member State, or the rules of a first issue if performed by another Member State.

The 'card holder surname' for non-personal workshop or control cards shall be filled with workshop or control body name.

[^{F6}Member States shall exchange data electronically in order to ensure the uniqueness of the tachograph Driver Card that they issue. The competent authorities of Member States may also exchange data electronically when carrying out checks of driver cards at the roadside or at company premises in order to verify the uniqueness and status of the cards.]

VIII. TYPE APPROVAL OF RECORDING EQUIPMENT AND TACHOGRAPH CARDS

1. General points

For the purpose of this chapter, the words 'recording equipment' mean 'recording equipment or its components'. No type approval is required for the cable(s) linking the motion sensor to the VU. The paper, for use by the recording equipment, shall be considered as a component of the recording equipment. [^{F6}Any vehicle unit manufacturer may ask for type approval of its component with any type of motion sensor, and vice versa, provided each component complies with Requirement 001a.]

Recording equipment shall be submitted for approval complete with any integrated additional devices.

Type approval of recording equipment and of tachograph cards shall include security related tests, functional tests and interoperability tests. Positive results to each of these tests are stated by an appropriate certificate.

Member States type approval authorities will not grant a type approval certificate in accordance with Article 5 of this Regulation, as long as they do not hold:

Status: Point in time view as at 22/02/2016.

Changes to legislation: There are currently no known outstanding effects for the Council Regulation (EEC) No 3821/85, ANNEX I B. (See end of Document for details)

- a security certificate,
- a functional certificate,
- and an interoperability certificate,

for the recording equipment or the tachograph card, subject of the request for type approval.

Any modification in software or hardware of the equipment or in the nature of materials used for its manufacture shall, before being used, be notified to the authority which granted type-approval for the equipment. This authority shall confirm to the manufacturer the extension of the type approval, or may require an update or a confirmation of the relevant functional, security and/or interoperability certificates.

Procedures to upgrade *in situ* recording equipment software shall be approved by the authority which granted type approval for the recording equipment. Software upgrade must not alter nor delete any driver activity data stored in the recording equipment. Software may be upgraded only under the responsibility of the equipment manufacturer.

2. Security certificate

The security certificate is delivered in accordance with the provisions of Appendix 10 to this Annex.

[^{F6}In the exceptional circumstance that the security certification authorities refuse to certify new equipment on the grounds of obsolescence of the security mechanisms, type approval shall continue to be granted only in this specific and exceptional circumstance, and when no alternative solution, compliant with the Regulation, exists.]

In this circumstance the Member State concerned shall, without delay, inform the European Commission, which shall, within twelve calendar months of the grant of type approval, launch a procedure to ensure that the level of security is restored to its original levels.]

3. Functional certificate

Each candidate for type approval shall provide the Member State's type approval authority with all the material and documentation that the authority deems necessary.

[^{F6}Manufacturers shall provide the relevant samples of type approved products and associated documentation required by laboratories appointed to perform functional tests, and within one month of the request being made. Any costs resulting from this request shall be borne by the requesting entity. Laboratories shall treat all commercially sensitive information in confidence.]

A functional certificate shall be delivered to the manufacturer only after all functional tests specified in Appendix 9, at least, have been successfully passed.

The type approval authority delivers the functional certificate. This certificate shall indicate, in addition to the name of its beneficiary and the identification of the model, a detailed list of the tests performed and the results obtained.

[^{F6}The functional certificate of any recording equipment component shall also indicate the type approval numbers of all other type approved compatible recording equipment components.]

4. Interoperability certificate

Interoperability tests are carried out by a single laboratory under the authority and responsibility of the European Commission.

Status: Point in time view as at 22/02/2016.

Changes to legislation: There are currently no known outstanding effects for the Council Regulation (EEC) No 3821/85, ANNEX I B. (See end of Document for details)

The laboratory shall register interoperability test requests introduced by manufacturers in the chronological order of their arrival.

Requests will be officially registered only when the laboratory is in possession of:

- the entire set of material and documents necessary for such interoperability tests,
- the corresponding security certificate,
- the corresponding functional certificate,

The date of the registration of the request shall be notified to the manufacturer.

[^{F3}No interoperability tests shall be carried out by the laboratory for recording equipment or tachograph cards that have not been granted a security certificate and a functionality certificate, except in the exceptional circumstances described in Requirement 274a.]

Any manufacturer requesting interoperability tests shall commit to leave to the laboratory in charge of these tests the entire set of material and documents which he provided to carry out the tests.

The interoperability tests shall be carried out, in accordance with the provisions of paragraph 5 of Appendix 9 of this Annex, with respectively all the types of recording equipment or tachograph cards:

- for which type approval is still valid, or
- for which type approval is pending and that have a valid interoperability certificate.

The interoperability certificate shall be delivered by the laboratory to the manufacturer only after all required interoperability tests have been successfully passed.

If the interoperability tests are not successful with one or more of the recording equipment or tachograph card(s), as requested by requirement 283, the interoperability certificate shall not be delivered, until the requesting manufacturer has realised the necessary modifications and has succeeded with the interoperability tests. The laboratory shall identify the cause of the problem with the help of the manufacturers concerned by this interoperability fault and shall attempt to help the requesting manufacturer in finding a technical solution. In the case where the manufacturer has modified its product, it is the manufacturer's responsibility to ascertain from the relevant authorities that the security certificate and the functional certificates are still valid.

The interoperability certificate is valid for six months. It is revoked at the end of this period if the manufacturer has not received a corresponding type approval certificate. It is forwarded by the manufacturer to the type approval authority of the Member State who has delivered the functional certificate.

Any element that could be at the origin of an interoperability fault shall not be used for profit or to lead to a dominant position.

5. Type approval certificate

The type approval authority of the Member State may deliver the type approval certificate as soon as it holds the three required certificates.

The type approval certificate shall be copied by the type approval authority to the laboratory in charge of the interoperability tests at the time of deliverance to the manufacturer.

The laboratory competent for interoperability tests shall run a public web site on which will be updated the list of recording equipment or tachograph cards models:

- for which a request for interoperability tests have been registered,
- having received an interoperability certificate (even provisional),

— having received a type approval certificate.

6. Exceptional procedure: first interoperability certificates

Until four months after a first couple of recording equipment and tachograph cards (driver, workshop, control and company cards) have been certified to be interoperable, any interoperability certificate delivered (including this very first one), regarding requests registered during this period, shall be considered provisional.

If at the end of this period, all products concerned are mutually interoperable, all corresponding interoperability certificates shall become definitive.

If during this period, interoperability faults are found, the laboratory in charge of interoperability tests shall identify the causes of the problems with the help of all manufacturers involved and shall invite them to realise the necessary modifications.

If at the end of this period, interoperability problems still remain, the laboratory in charge of interoperability tests, with the collaboration of the manufacturers concerned and with the type approval authorities who delivered the corresponding functional certificates shall find out the causes of the interoperability faults and establish which modifications should be made by each of the manufacturers concerned. The search for technical solutions shall last for a maximum of two months, after which, if no common solution is found, the Commission, after having consulted the laboratory in charge of interoperability tests, shall decide which equipment(s) and cards get a definitive interoperability certificate and state the reasons why.

Any request for interoperability tests, registered by the laboratory between the end of the four-month period after the first provisional interoperability certificate has been delivered and the date of the decision by the Commission referred to in requirement 294, shall be postponed until the initial interoperability problems have been solved. Those requests are then processed in the chronological order of their registration.

Status: Point in time view as at 22/02/2016.

Changes to legislation: There are currently no known outstanding effects for the Council Regulation (EEC) No 3821/85, ANNEX I B. (See end of Document for details)

Appendix 1

DATA DICTIONARY

1. INTRODUCTION

This appendix specifies data formats, data elements, and data structures for use within the recording equipment and tachograph cards.

1.1. Approach for definitions of data types

This appendix uses Abstract Syntax Notation One (ASN.1) to define data types. This enables simple and structured data to be defined without implying any specific transfer syntax (encoding rules) which will be application and environment dependent.

ASN.1 type naming conventions are done in accordance with ISO/IEC 8824-1. This implies that:

- where possible, the meaning of the data type is implied through the names being selected,
- where a data type is a composition of other data types, the data type name is still a single sequence of alphabetical characters commencing with a capital letter, however capitals are used within the name to impart the corresponding meaning,
- in general, the data types names are related to the name of the data types from which they are constructed, the equipment in which data is stored and the function related to the data.

If an ASN.1 type is already defined as part of another standard and if it is relevant for usage in the recording equipment, then this ASN.1 type will be defined in this appendix.

To enable several types of encoding rules, some ASN.1 types in this appendix are constrained by value range identifiers. The value range identifiers are defined in paragraph 3.

1.2. References

The following references are used in this Appendix:

| | |
|----------------|--|
| ISO 639 | Code for the representation of names of languages. First Edition: 1988 |
| EN 726-3 | Identification cards systems — Telecommunications integrated circuit(s) cards and terminals — Part 3: Application independent card requirements. December 1994 |
| ISO 3779 | Road vehicles — Vehicle identification number (VIN) — Content and structure. Edition 3: 1983 |
| ISO/IEC 7816-5 | Information technology — Identification cards — Integrated circuit(s) cards with contacts — Part 5: Numbering system and registration procedure for application identifiers. First edition: 1994 + Amendment 1: 1996 |
| ISO/IEC 8824-1 | Information technology — Abstract Syntax Notation 1 (ASN.1): Specification of basic notation. Edition 2: 1998 |
| ISO/IEC 8825-2 | Information technology — ASN.1 encoding rules: Specification of Packed Encoding Rules (PER). Edition 2: 1998 |
| ISO/IEC 8859-1 | Information technology — 8 bit single-byte coded graphic character sets — Part 1: Latin alphabet No 1. First edition: 1998 |
| ISO/IEC 8859-7 | Information technology — 8 bit single-byte coded graphic character sets — Part 7: Latin/Greek alphabet. First edition: 1987 |

Status: Point in time view as at 22/02/2016.

Changes to legislation: There are currently no known outstanding effects for the Council Regulation (EEC) No 3821/85, ANNEX I B. (See end of Document for details)

ISO 16844-3 Road vehicles — Tachograph systems — Motion Sensor Interface. WD 3-20/05/99.

2. DATA TYPE DEFINITIONS

For any of the following data types, the default value for an ‘unknown’ or a ‘not applicable’ content will consist in filling the data element with ‘FF’-Bytes.

2.1. ActivityChangeInfo

This data type enables to code, within a two bytes word, a slot status at 00.00 and/or a driver status at 00.00 and/or changes of activity and/or changes of driving status and/or changes of card status for a driver or a co-driver. This data type is related to requirements 084, 109a, 199 and 219.

ActivityChangeInfo ::= OCTET STRING (SIZE(2))

Value assignment — Octet Aligned: *'scpaatttttttt'*B (16 bits)

For Data Memory recordings (or slot status):

| | | |
|-------------------|---|--|
| 's'B | Slot: | '0'B: DRIVER, '1'B: CO-DRIVER, |
| 'c'B | Driving status: | '0'B: SINGLE, '1'B: CREW, |
| 'p'B | Driver (or workshop) card status in the relevant slot: | '0'B: INSERTED, a card is inserted, '1'B: NOT INSERTED, no card is inserted (or a card is withdrawn), |
| 'aa'B | Activity: | '00'B: BREAK/REST, '01'B: AVAILABILITY, '10'B: WORK, '11'B: DRIVING, |
| 'ttttttttt' 'B | Time of the change: Number of minutes since 00h00 on the given day. | |

For Driver (or Workshop) card recordings (and driver status):

| | | |
|------|---|--|
| 's'B | Slot (not relevant when 'p' = 1 except note below): | '0'B: DRIVER, '1'B: 2. CO-DRIVER, |
| 'c'B | Driving status (case 'p' = 0) or | Following activity status (case 'p' = 1): |
| | '0'B: SINGLE, | '0'B: UNKNOWN |
| | '1'B: CREW, | '1'B: KNOWN (= manually entered) |
| 'p'B | Card status: | '0'B: INSERTED, the card is inserted in a recording equipment, '1'B: NOT INSERTED, the card is not inserted (or the card is withdrawn), |

Status: Point in time view as at 22/02/2016.

Changes to legislation: There are currently no known outstanding effects for the Council Regulation (EEC) No 3821/85, ANNEX I B. (See end of Document for details)

| | |
|------------------|---|
| 'aa'B | Activity (not relevant when 'p' = 1 and 'c' = 0 except note below): |
| | '00'B: BREAK/REST, |
| | '01'B: AVAILABILITY, |
| | '10'B: WORK, |
| | '11'B: DRIVING, |
| 'ttttttttt 'B | Time of the change: Number of minutes since 00h00 on the given day. |

Note for the case 'card withdrawal':

When the card is withdrawn:

- 's' is relevant and indicates the slot from which the card is withdrawn,
- 'c' must be set to 0,
- 'p' must be set to 1,
- 'aa' must code the current activity selected at that time,

As a result of a manual entry, the bits 'c' and 'aa' of the word (stored in a card) may be overwritten later to reflect the entry.

[^{F3}2.2. Address

An address.

```
Address: = SEQUENCE {
codePage INTEGER (0..255),
address OCTET STRING (SIZE(35))
}
```

codePage specifies a character set defined in Chapter 4,

address is an address encoded using the specified character set.]

2.3. BCDString

BCDString is applied for Binary Code Decimal (BCD) representation. This data type is used to represent one decimal digit in one semi octet (4 bits). BCDString is based on the ISO/IEC 8824-1 'CharacterStringType'.

```
BCDString ::= CHARACTER STRING (WITH COMPONENTS {
identification ( WITH COMPONENTS {
fixed PRESENT }) })
```

BCDString uses an 'hstring' notation. The leftmost hexadecimal digit shall be the most significant semi octet of the first octet. To produce a multiple of octets, zero trailing semi octets shall be inserted, as needed, from the leftmost semi octet position in the first octet.

Permitted digits are: 0, 1, ... 9.

2.4. CalibrationPurpose

Code explaining why a set of calibration parameters was recorded. This data type is related to requirements 097 and 098.

Status: Point in time view as at 22/02/2016.

Changes to legislation: There are currently no known outstanding effects for the Council Regulation (EEC) No 3821/85, ANNEX I B. (See end of Document for details)

CalibrationPurpose ::= OCTET STRING (SIZE(1)).

Value assignment:

'00'H reserved value,
'01'H activation: recording of calibration parameters known, at the moment of the VU activation,
'02'H first installation: first calibration of the VU after its activation,
'03'H installation: first calibration of the VU in the current vehicle,
'04'H periodic inspection.

2.5. CardActivityDailyRecord

Information, stored in a card, related to the driver activities for a particular calendar day. This data type is related to requirements 199 and 219.

CardActivityDailyRecord ::= SEQUENCE {

activityPreviousRecordLength INTEGER(0..CardActivityLengthRange),

[^{X2} activityRecordLength INTEGER (0.. CardActivityLengthRange)]

Editorial Information

X2 Inserted by [Corrigendum to Commission Regulation \(EC\) No 1360/2002 of 13 June 2002 adapting for the seventh time to technical progress Council Regulation \(EEC\) No 3821/85 on recording equipment in road transport \(Official Journal of the European Communities L 207 of 5 August 2002\)](#).

activityRecordDate TimeReal,

activityDailyPresenceCounter DailyPresenceCounter,

activityDayDistance Distance,

activityChangeInfo SET SIZE(1..1 440) OF ActivityChangeInfo

}

activityPreviousRecordLength is the total length in bytes of the previous daily record. The maximum value is given by the length of the OCTET STRING containing these records (see CardActivityLengthRange paragraph 3). When this record is the oldest daily record, the value of activityPreviousRecordLength must be set to 0.

activityRecordLength is the total length in bytes of this record. The maximum value is given by the length of the OCTET STRING containing these records.

activityRecordDate is the date of the record.

activityDailyPresenceCounter is the daily presence counter for the card this day.

activityDayDistance is the total distance travelled this day.

activityChangeInfo is the set of ActivityChangeInfo data for the driver this day. It may contain at maximum 1 440 values (one activity change per minute). This set always includes the activityChangeInfo coding the driver status at 00.00.

2.6. CardActivityLengthRange

Number of bytes in a driver or a workshop card, available to store driver activity records.

Status: Point in time view as at 22/02/2016.

Changes to legislation: There are currently no known outstanding effects for the Council Regulation (EEC) No 3821/85, ANNEX I B. (See end of Document for details)

CardActivityLengthRange ::= INTEGER(0..2¹⁶-1)

Value assignment: see paragraph 3.

2.7. CardApprovalNumber

Type approval number of the card.

CardApprovalNumber ::= IA5String(SIZE(8))

Value assignment: Unspecified.

2.8. CardCertificate

Certificate of the public key of a card.

CardCertificate ::= Certificate.

2.9. CardChipIdentification

Information, stored in a card, related to the identification of the card's Integrated Circuit (IC) (requirement 191).

*CardChipIdentification ::= SEQUENCE {
icSerialNumber OCTET STRING (SIZE(4)),
icManufacturingReferences OCTET STRING (SIZE(4))
}*

icSerialNumber is the IC serial number as defined in EN 726-3.

icManufacturingReferences is the IC manufacturer identifier and fabrication elements as defined in EN 726-3.

2.10. CardConsecutiveIndex

A card consecutive index (definition h)).

CardConsecutiveIndex ::= IA5String(SIZE(1))

Value assignment: (see this Annex Chapter VII)

Order for increase : '0, ..., 9, A, ..., Z, a, ..., z'.

2.11. CardControlActivityDataRecord

Information, stored in a driver or workshop card, related to the last control the driver has been subject to (requirements 210 and 225).

*CardControlActivityDataRecord ::= SEQUENCE {
controlType controlType,
controlTime TimeReal,
controlCardNumber FullCardNumber,
controlVehicleRegistration VehicleRegistrationIdentification,
controlDownloadPeriodBegin TimeReal,*

Status: Point in time view as at 22/02/2016.

Changes to legislation: There are currently no known outstanding effects for the Council Regulation (EEC) No 3821/85, ANNEX I B. (See end of Document for details)

controlDownloadPeriodEnd TimeReal,

}

controlType is the type of the control.

controlTime is the date and time of the control.

controlCardNumber is the FullCardNumber of the control officer having performed the control.

controlVehicleRegistration is the VRN and registering Member State of the vehicle in which the control happened.

controlDownloadPeriodBegin and **controlDownloadPeriodEnd** is the period downloaded, in case of downloading.

2.12. CardCurrentUse

Information about the actual usage of the card (requirement 212).

CardCurrentUse ::= SEQUENCE {

sessionOpenTime TimeReal,

sessionOpenVehicle VehicleRegistrationIdentification

}

sessionOpenTime is the time when the card is inserted for the current usage. This element is set to zero at card removal.

sessionOpenVehicle is the identification of the currently used vehicle, set at card insertion. This element is set to zero at card removal.

2.13. CardDriverActivity

Information, stored in a driver or a workshop card, related to the activities of the driver (requirements 199 and 219).

CardDriverActivity ::= SEQUENCE {

activityPointerOldestDayRecord INTEGER(0..CardActivityLengthRange-1),

activityPointerNewestRecord INTEGER(0..CardActivityLengthRange-1),

activityDailyRecords OCTET STRING (SIZE(CardActivityLengthRange))

}

activityPointerOldestDayRecord is the specification of the begin of the storage place (number of bytes from the beginning of the string) of the oldest complete day record in the activityDailyRecords string. The maximum value is given by the length of the string.

activityPointerNewestRecord is the specification of the begin of the storage place (number of bytes from the beginning of the string) of the most recent day record in the activityDailyRecords string. The maximum value is given by the length of the string.

activityDailyRecords is the space available to store the driver activity data (data structure: CardActivityDailyRecord) for each calendar day where the card has been used.

Status: Point in time view as at 22/02/2016.

Changes to legislation: There are currently no known outstanding effects for the Council Regulation (EEC) No 3821/85, ANNEX I B. (See end of Document for details)

Value assignment: this octet string is cyclically filled with records of CardActivityDailyRecord. At the first use storing is started at the first byte of the string. All new records are appended at the end of the previous one. When the string is full, storing continues at the first byte of the string independently of a break being inside a data element. Before placing new activity data in the string (enlarging current activityDailyRecord, or placing a new activityDailyRecord) that replaces older activity data, activityPointerOldestDayRecord must be updated to reflect the new location of the oldest complete day record, and activityPreviousRecordLength of this (new) oldest complete day record must be reset to 0.

2.14. CardDrivingLicenceInformation

Information, stored in a driver card, related to the card holder driver licence data (requirement 196).

```
CardDrivingLicenceInformation ::= SEQUENCE {
    drivingLicenceIssuingAuthority Name,
    drivingLicenceIssuingNation NationNumeric,
    drivingLicenceNumber IA5String(SIZE(16))
}
```

drivingLicenceIssuingAuthority is the authority responsible for issuing the driving licence.

drivingLicenceIssuingNation is the nationality of the authority that issued the driving licence.

drivingLicenceNumber is the number of the driving licence.

2.15. CardEventData

Information, stored in a driver or workshop card, related to the events associated with the card holder (requirements 204 and 223).

```
CardEventData ::= SEQUENCE SIZE(6) OF {
    cardEventRecords SET SIZE(NumberOfEventsPerType) OF CardEventRecord
}
```

CardEventData is a sequence, ordered by ascending value of EventFaultType, of cardEventRecords (except security breach attempts related records which are gathered in the last set of the sequence).

cardEventRecords is a set of event records of a given event type (or category for security breach attempts events).

2.16. CardEventRecord

Information, stored in a driver or a workshop card, related to an event associated to the card holder (requirements 205 and 223).

```
CardEventRecord ::= SEQUENCE {
    eventType EventFaultType,
    eventBeginTime TimeReal,
    eventEndTime TimeReal,
```

Status: Point in time view as at 22/02/2016.

Changes to legislation: There are currently no known outstanding effects for the Council Regulation (EEC) No 3821/85, ANNEX I B. (See end of Document for details)

eventVehicleRegistration VehicleRegistrationIdentification

}

eventType is the type of the event.

eventBeginTime is the date and time of beginning of event.

eventEndTime is the date and time of end of event.

eventVehicleRegistration is the VRN and registering Member State of vehicle in which the event happened.

2.17. CardFaultData

Information, stored in a driver or a workshop card, related to the faults associated to the card holder (requirements 207 and 223).

*CardFaultData ::= SEQUENCE SIZE(2) OF {
cardFaultRecords SET SIZE(NoOfFaultsPerType) OF CardFaultRecord
}*

CardFaultData is a sequence of Recording Equipment faults set of records followed by card faults set of records.

cardFaultRecords is a set of fault records of a given fault category (Recording Equipment or card).

2.18. CardFaultRecord

Information, stored in a driver or a workshop card, related to a fault associated to the card holder (requirement 208 and 223).

*CardFaultRecord ::= SEQUENCE {
faultType EventFaultType,
faultBeginTime TimeReal,
faultEndTime TimeReal,
faultVehicleRegistration VehicleRegistrationIdentification
}*

faultType is the type of the fault.

faultBeginTime is the date and time of beginning of fault.

faultEndTime is the date and time of end of fault.

faultVehicleRegistration is the VRN and registering Member State of vehicle in which the fault happened.

2.19. CardIccIdentification

Information, stored in a card, related to the identification of the integrated circuit (IC) card (requirement 192).

CardIccIdentification ::= SEQUENCE {

Status: Point in time view as at 22/02/2016.

Changes to legislation: There are currently no known outstanding effects for the Council Regulation (EEC) No 3821/85, ANNEX I B. (See end of Document for details)

```

clockStop OCTET STRING (SIZE(1)),
cardExtendedSerialNumber ExtendedSerialNumber,
cardApprovalNumber CardApprovalNumber
cardPersonaliserID OCTET STRING (SIZE(1)),
embedderIcAssemblerId OCTET STRING (SIZE(5)),
icIdentifier OCTET STRING (SIZE(2))
}

```

clockStop is the Clockstop mode as defined in EN 726-3.

cardExtendedSerialNumber is the IC card serial number and IC card manufacturing reference as defined in EN 726-3 and as further specified by the ExtendedSerialNumber data type.

cardApprovalNumber is the type approval number of the card.

cardPersonaliserID is the card personaliser ID as defined in EN 726-3.

embedderIcAssemblerId is the embedder/IC assembler identifier as defined in EN 726-3.

icIdentifier is the Identifier of the IC on the card and its IC manufacturer as defined in EN 726-3.

2.20. CardIdentification

Information, stored in a card, related to the identification of the card (requirements 194, 215, 231, 235).

CardIdentification ::= SEQUENCE

```

cardIssuingMemberState NationNumeric,
cardNumber CardNumber,
cardIssuingAuthorityName Name,
cardIssueDate TimeReal,
cardValidityBegin TimeReal,
cardExpiryDate TimeReal
}

```

cardIssuingMemberState is the code of the Member State issuing the card.

cardNumber is the card number of the card.

cardIssuingAuthorityName is the name of the authority having issued the Card.

cardIssueDate is the issue date of the Card to the current holder.

cardValidityBegin is the first date of validity of the card.

cardExpiryDate is the date when the validity of the card ends.

2.21. CardNumber

A card number as defined by definition g).

Status: Point in time view as at 22/02/2016.

Changes to legislation: There are currently no known outstanding effects for the Council Regulation (EEC) No 3821/85, ANNEX I B. (See end of Document for details)

```
CardNumber ::= CHOICE {  
  SEQUENCE {  
    driverIdentification IA5String(SIZE(14)),  
    cardReplacementIndex CardReplacementIndex,  
    cardRenewalIndex CardRenewalIndex  
  }  
  SEQUENCE {  
    ownerIdentification IA5String(SIZE(13)),  
    cardConsecutiveIndex CardConsecutiveIndex,  
    cardReplacementIndex CardReplacementIndex,  
    cardRenewalIndex CardRenewalIndex  
  }  
}
```

driverIdentification is the unique identification of a driver in a Member State.

ownerIdentification is the unique identification of a company or a workshop or a control body within a Member State.

cardConsecutiveIndex is the card consecutive index.

cardReplacementIndex is the card replacement index.

cardRenewalIndex is the card renewal index.

The first sequence of the choice is suitable to code a driver card number, the second sequence of the choice is suitable to code workshop, control, and company card numbers.

2.22. CardPlaceDailyWorkPeriod

Information, stored in a driver or a workshop card, related to the places where daily work periods begin and/or end (requirements 202 and 221).

```
CardPlaceDailyWorkPeriod ::= SEQUENCE {  
  placePointerNewestRecord INTEGER(0..NoOfCardPlaceRecords-1),  
  [X1 placeRecords          SET SIZE(NoOfCardPlaceRecords) OF PlaceRecord] ]  
}
```

placePointerNewestRecord is the index of the last updated place record.

Value assignment: Number corresponding to the numerator of the place record, beginning with '0' for the first occurrence of the place records in the structure.

placeRecords is the set of records containing the information related to the places entered.

2.23. CardPrivateKey

The private key of a card.

Status: Point in time view as at 22/02/2016.

Changes to legislation: There are currently no known outstanding effects for the Council Regulation (EEC) No 3821/85, ANNEX I B. (See end of Document for details)

CardPrivateKey ::= RSAKeyPrivateExponent.

2.24. CardPublicKey

The public key of a card.

CardPublicKey ::= PublicKey.

2.25. CardRenewalIndex

A card renewal index (definition i)).

CardRenewalIndex ::= IA5String(SIZE(1)).

Value assignment: (see this Annex Chapter VII).

'0' First issue.
Order for increase: '0, ..., 9, A, ..., Z'.

2.26. CardReplacementIndex

A card replacement index (definition j)).

CardReplacementIndex ::= IA5String(SIZE(1))

Value assignment: (see this Annex Chapter VII).

'0' Original card.
Order for increase: '0, ..., 9, A, ..., Z'.

2.27. CardSlotNumber

Code to distinguish between the two slots of a vehicle unit.

*CardSlotNumber ::= INTEGER {
driverSlot (0),
co-driverSlot (1)
}*

Value assignment: not further specified.

2.28. CardSlotsStatus

Code indicating the type of cards inserted in the two slots of the vehicle unit.

CardSlotsStatus ::= OCTET STRING (SIZE(1))

Value assignment — Octet Aligned: 'ccccddd'B:

'cccc'B Identification of the type of card inserted in the co-driver slot,
'ddd'B Identification of the type of card inserted in the driver slot,

with the following identification codes:

'0000'B no card is inserted,
'0001'B a driver card is inserted,
'0010'B a workshop card is inserted,
'0011'B a control card is inserted,
'0100'B a company card is inserted.

Status: Point in time view as at 22/02/2016.

Changes to legislation: There are currently no known outstanding effects for the Council Regulation (EEC) No 3821/85, ANNEX I B. (See end of Document for details)

2.29. CardStructureVersion

Code indicating the version of the implemented structure in a tachograph card.

CardStructureVersion ::= OCTET STRING (SIZE(2))

Value assignment: 'aabb'H:

| | |
|-----------------------|--|
| ' ^{F10} aa'H | Index for changes of the structure, '00h' for this version |
| 'bb'H | Index for changes concerning the use of the data elements defined for the structure given by the high byte, '00h' for this version.] |

2.30. CardVehicleRecord

Information, stored in a driver or workshop card, related to a period of use of a vehicle during a calendar day (requirements 197 and 217).

CardVehicleRecord ::= SEQUENCE {
vehicleOdometerBegin OdometerShort,
vehicleOdometerEnd OdometerShort,
vehicleFirstUse TimeReal,
vehicleLastUse TimeReal,
vehicleRegistration VehicleRegistrationIdentification,
vuDataBlockCounter VuDataBlockCounter
}

vehicleOdometerBegin is the vehicle odometer value at the beginning of the period of use of the vehicle.

vehicleOdometerEnd is the vehicle odometer value at the end of the period of use of the vehicle.

vehicleFirstUse is the date and time of the beginning of the period of use of the vehicle.

vehicleLastUse is the date and time of the end of the period of use of the vehicle.

vehicleRegistration is the VRN and the registering Member State of the vehicle.

vuDataBlockCounter is the value of the VuDataBlockCounter at last extraction of the period of use of the vehicle.

2.31. CardVehiclesUsed

Information, stored in a driver or workshop card, related to the vehicles used by the card holder (requirements 197 and 217).

CardVehiclesUsed ::= SEQUENCE {
vehiclePointerNewestRecord INTEGER(0..NoOfCardVehicleRecords-1),
cardVehicleRecords SET SIZE(NoOfCardVehicleRecords) OF CardVehicleRecord
}

Status: Point in time view as at 22/02/2016.

Changes to legislation: There are currently no known outstanding effects for the Council Regulation (EEC) No 3821/85, ANNEX I B. (See end of Document for details)

vehiclePointerNewestRecord is the index of the last updated vehicle record.

Value assignment: Number corresponding to the numerator of the vehicle record, beginning with '0' for the first occurrence of the vehicle records in the structure.

cardVehicleRecords is the set of records containing information on vehicles used.

2.32. Certificate

The certificate of a public key issued by a Certification Authority.

Certificate ::= OCTET STRING (SIZE(194))

Value assignment: digital signature with partial recovery of a CertificateContent according to Appendix 11 'common security mechanisms': Signature (128 bytes) Public Key remainder (58 Byte) Certification Authority Reference (8 bytes).

2.33. CertificateContent

The (clear) content of the certificate of a public key according to Appendix 11 common security mechanisms.

CertificateContent ::= SEQUENCE {
certificateProfileIdentifier INTEGER(0..255),
certificationAuthorityReference KeyIdentifier,
certificateHolderAuthorisation CertificateHolderAuthorisation,
certificateEndOfValidity TimeReal,
certificateHolderReference KeyIdentifier,
publicKey PublicKey
}

certificateProfileIdentifier is the version of the corresponding certificate.

Value assignment: '01h' for this version.

CertificationAuthorityReference identifies the Certification Authority issuing the certificate. It also references the Public Key of this Certification Authority.

certificateHolderAuthorisation identifies the rights of the certificate holder.

certificateEndOfValidity is the date when the certificate expires administratively.

certificateHolderReference identifies the certificate holder. It also references his Public Key.

publicKey is the public key that is certified by this certificate.

2.34. CertificateHolderAuthorisation

Identification of the rights of a certificate holder.

CertificateHolderAuthorisation ::= SEQUENCE {
tachographApplicationID OCTET STRING(SIZE(6))
equipmentType EquipmentType

Status: Point in time view as at 22/02/2016.

Changes to legislation: There are currently no known outstanding effects for the Council Regulation (EEC) No 3821/85, ANNEX I B. (See end of Document for details)

}

tachographApplicationID is the application identifier for the tachograph application.

Value assignment: 'FFh' '54h' '41h' '43h' '48h' '4Fh'. This AID is a proprietary non-registered application identifier in accordance with ISO/IEC 7816-5.

equipmentType is the identification of the type of equipment to which the certificate is intended.

Value assignment: in accordance with EquipmentType data type. 0 if certificate is the one of a Member State.

2.35. CertificateRequestID

Unique identification of a certificate request. It can also be used as a Vehicle Unit Public Key Identifier if the serial number of the vehicle Unit to which the key is intended is not known at certificate generation time.

```
CertificateRequestID ::= SEQUENCE {  
  requestSerialNumber INTEGER(0..232-1)  
  requestMonthYear BCDString(SIZE(2))  
  crIdentifier OCTET STRING(SIZE(1))  
  manufacturerCode ManufacturerCode  
}
```

requestSerialNumber is a serial number for the certificate request, unique for the manufacturer and the month below.

requestMonthYear is the identification of the month and the year of the certificate request.

Value assignment: BCD coding of month (two digits) and year (two last digits).

crIdentifier: is an identifier to distinguish a certificate request from an extended serial number.

Value assignment: 'FFh'.

manufacturerCode: is the numerical code of the manufacturer requesting the certificate.

2.36. CertificationAuthorityKID

Identifier of the Public Key of a Certification Authority (a Member State or the European Certification Authority).

```
CertificationAuthorityKID ::= SEQUENCE {  
  nationNumeric NationNumeric  
  nationAlpha NationAlpha  
  keySerialNumber INTEGER(0..255)  
  additionalInfo OCTET STRING(SIZE(2))  
  caIdentifier OCTET STRING(SIZE(1))  
}
```

Status: Point in time view as at 22/02/2016.

Changes to legislation: There are currently no known outstanding effects for the Council Regulation (EEC) No 3821/85, ANNEX I B. (See end of Document for details)

nationNumeric is the numerical nation code of the Certification Authority.

nationAlpha is the alphanumerical nation code of the Certification Authority.

keySerialNumber is a serial number to distinguish the different keys of the Certification Authority in the case keys are changed.

additionalInfo is a two byte field for additional coding (Certification Authority specific).

caIdentifier is an identifier to distinguish a Certification Authority Key Identifier from other Key Identifiers.

Value assignment: '01h'.

2.37. CompanyActivityData

Information, stored in a company card, related to activities performed with the card (requirement 237).

```
CompanyActivityData ::= SEQUENCE {
    companyPointerNewestRecord INTEGER(0..NoOfCompanyActivityRecords-1),
    companyActivityRecords SET SIZE(NoOfCompanyActivityRecords) OF
    companyActivityRecord SEQUENCE {
        companyActivityType CompanyActivityType,
        companyActivityTime TimeReal,
        cardNumberInformation FullCardNumber,
        vehicleRegistrationInformation VehicleRegistrationIdentification,
        downloadPeriodBegin TimeReal,
        downloadPeriodEnd TimeReal
    }
}
```

companyPointerNewestRecord is the index of the last updated companyActivityRecord.

Value assignment: Number corresponding to the numerator of the company activity record, beginning with '0' for the first occurrence of the company activity record in the structure.

companyActivityRecords is the set of all company activity records.

companyActivityRecord is the sequence of information related to one company activity.

companyActivityType is the type of the company activity.

companyActivityTime is the date and time of the company activity.

cardNumberInformation is the card number and the card issuing Member State of the card downloaded, if any.

vehicleRegistrationInformation is the VRN and registering Member State of the vehicle downloaded or locked in or out.

Status: Point in time view as at 22/02/2016.

Changes to legislation: There are currently no known outstanding effects for the Council Regulation (EEC) No 3821/85, ANNEX I B. (See end of Document for details)

downloadPeriodBegin and **downloadPeriodEnd** is the period downloaded from the VU, if any.

2.38. CompanyActivityType

Code indicating an activity carried out by a company using its company card.

CompanyActivityType ::= INTEGER {

card downloading (1),

VU downloading (2),

VU lock-in (3),

VU lock-out (4)

}

2.39. CompanyCardApplicationIdentification

Information, stored in a company card related to the identification of the application of the card (requirement 190).

CompanyCardApplicationIdentification ::= SEQUENCE {

typeOfTachographCardId EquipmentType,

cardStructureVersion CardStructureVersion,

noOfCompanyActivityRecords NoOfCompanyActivityRecords

}

typeOfTachographCardId is specifying the implemented type of card.

cardStructureVersion is specifying the version of the structure that is implemented in the card.

noOfCompanyActivityRecords is the number of company activity records the card can store.

2.40. CompanyCardHolderIdentification

Information, stored in a company card, related to the cardholder identification (requirement 236).

CompanyCardHolderIdentification ::= SEQUENCE {

companyName Name,

companyAddress Address,

cardHolderPreferredLanguage Language

}

companyName is the name of the holder company.

companyAddress is the address of the holder company.

cardHolderPreferredLanguage is the preferred language of the card holder.

2.41. ControlCardApplicationIdentification

Status: Point in time view as at 22/02/2016.

Changes to legislation: There are currently no known outstanding effects for the Council Regulation (EEC) No 3821/85, ANNEX I B. (See end of Document for details)

Information, stored in a control card related to the identification of the application of the card (requirement 190).

```
ControlCardApplicationIdentification ::= SEQUENCE {
  typeOfTachographCardId EquipmentType,
  cardStructureVersion CardStructureVersion,
  noOfControlActivityRecords NoOfControlActivityRecords
}
```

typeOfTachographCardId is specifying the implemented type of card.

cardStructureVersion is specifying the version of the structure that is implemented in the card.

noOfControlActivityRecords is the number of control activity records the card can store.

2.42. ControlCardControlActivityData

Information, stored in a control card, related to control activity performed with the card (requirement 233).

```
ControlCardControlActivityData ::= SEQUENCE {
  controlPointerNewestRecord INTEGER(0..NoOfControlActivityRecords-1),
  controlActivityRecords SET SIZE(NoOfControlActivityRecords) OF
  controlActivityRecord SEQUENCE {
    controlType ControlType,
    controlTime TimeReal,
    controlledCardNumber FullCardNumber,
    controlledVehicleRegistration VehicleRegistrationIdentification,
    controlDownloadPeriodBegin TimeReal,
    controlDownloadPeriodEnd TimeReal
  }
}
```

controlPointerNewestRecord is the index of the last updated control activity record.

Value assignment: Number corresponding to the numerator of the control activity record, beginning with '0' for the first occurrence of the control activity record in the structure.

controlActivityRecords is the set of all control activity records.

controlActivityRecord is the sequence of information related to one control.

controlType is the type of the control.

controlTime is the date and time of the control.

Status: Point in time view as at 22/02/2016.

Changes to legislation: There are currently no known outstanding effects for the Council Regulation (EEC) No 3821/85, ANNEX I B. (See end of Document for details)

controlledCardNumber is the card number and the card issuing Member State of the card controlled.

controlledVehicleRegistration is the VRN and registering Member State of the vehicle in which the control happened.

controlDownloadPeriodBegin and **controlDownloadPeriodEnd** is the period eventually downloaded.

2.43. ControlCardHolderIdentification

Information, stored in a control card, related to the identification of the cardholder (requirement 232).

```
ControlCardHolderIdentification ::= SEQUENCE {
controlBodyName Name,
controlBodyAddress Address,
cardHolderName HolderName,
cardHolderPreferredLanguage Language
}
```

controlBodyName is the name of the control body of the card holder.

controlBodyAddress is the address of the control body of the card holder.

cardHolderName is the name and first name(s) of the holder of the Control Card.

cardHolderPreferredLanguage is the preferred language of the card holder.

2.44. ControlType

Code indicating the activities carried out during a control. This data type is related to requirements 102, 210 and 225.

```
ControlType ::= OCTET STRING (SIZE(1))
```

Value assignment — **Octet aligned:**'c'p'd'xxxx'B (8 bits)

| | |
|---------|--|
| 'c'B | card downloading: '0'B: card not downloaded during this control activity, '1'B: card downloaded during this control activity |
| 'v'B | VU downloading: '0'B: VU not downloaded during this control activity, '1'B: VU downloaded during this control activity |
| 'p'B | printing: '0'B: no printing done during this control activity, '1'B: printing done during this control activity |
| 'd'B | display: '0'B: no display used during this control activity, '1'B: display used during this control activity |
| 'xxxx'B | Not used. |

2.45. CurrentDateTime

Status: Point in time view as at 22/02/2016.

Changes to legislation: There are currently no known outstanding effects for the Council Regulation (EEC) No 3821/85, ANNEX I B. (See end of Document for details)

The current date and time of the recording equipment.

CurrentDateTime ::= TimeReal

Value assignment: not further specified.

2.46. DailyPresenceCounter

Counter, stored in a driver or workshop card, increased by one for each calendar day the card has been inserted in a VU. This data type is related to requirements 199 and 219.

DailyPresenceCounter ::= BCDString(SIZE(2))

Value assignment: Consecutive number with maximum value = 9 999, starting again with 0. At the time of first issuing of the card the number is set to 0.

2.47. Datef

Date expressed in a readily printable numeric format.

Datef ::= SEQUENCE {

year BCDString(SIZE(2)),

month BCDString(SIZE(1)),

day BCDString(SIZE(1))

}

Value assignment:

| | |
|------|-------|
| yyyy | Year |
| mm | Month |
| dd | Day |

'00000000'H denotes explicitly no date.

2.48. Distance

A distance travelled (result of the calculation of the difference between two vehicle's odometer value in kilometres).

Distance ::= INTEGER(0..2¹⁶-1)

Value assignment: Unsigned binary. Value in km in the operational range 0 to 9 999 km.

2.49. DriverCardApplicationIdentification

Information, stored in a driver card related to the identification of the application of the card (requirement 190).

DriverCardApplicationIdentification ::= SEQUENCE {

typeOfTachographCardId EquipmentType,

cardStructureVersion CardStructureVersion,

noOfEventsPerType NoOfEventsPerType,

noOfFaultsPerType NoOfFaultsPerType,

Status: Point in time view as at 22/02/2016.

Changes to legislation: There are currently no known outstanding effects for the Council Regulation (EEC) No 3821/85, ANNEX I B. (See end of Document for details)

```
activityStructureLength CardActivityLengthRange,  
noOfCardVehicleRecords NoOfCardVehicleRecords,  
noOfCardPlaceRecords NoOfCardPlaceRecords  
}
```

typeOfTachographCardId is specifying the implemented type of card.

cardStructureVersion is specifying the version of the structure that is implemented in the card.

noOfEventsPerType is the number of events per type of event the card can record.

noOfFaultsPerType is the number of faults per type of fault the card can record.

activityStructureLength indicates the number of bytes available for storing activity records.

noOfCardVehicleRecords is the number of vehicle records the card can contain.

noOfCardPlaceRecords is the number of places the card can record.

2.50. DriverCardHolderIdentification

Information, stored in a driver card, related to the identification of the cardholder (requirement 195).

```
DriverCardHolderIdentification ::= SEQUENCE {  
cardHolderName HolderName,  
cardHolderBirthDate Datef,  
cardHolderPreferredLanguage Language  
}
```

cardHolderName is the name and first name(s) of the holder of the Driver Card.

cardHolderBirthDate is the date of birth of the holder of the Driver Card.

cardHolderPreferredLanguage is the preferred language of the card holder.

2.51. EntryTypeDailyWorkPeriod

Code to distinguish between begin and end for an entry of a daily work period place and condition of the entry.

```
EntryTypeDailyWorkPeriod ::= INTEGER  
Begin, related time = card insertion time or time of entry (0),  
End, related time = card withdrawal time or time of entry (1),  
Begin, related time manually entered (start time) (2),  
End, related time manually entered (end of work period) (3),  
Begin, related time assumed by VU (4),  
End, related time assumed by VU (5)  
}
```

Status: Point in time view as at 22/02/2016.

Changes to legislation: There are currently no known outstanding effects for the Council Regulation (EEC) No 3821/85, ANNEX I B. (See end of Document for details)

Value assignment: according to ISO/IEC8824-1.

2.52. EquipmentType

Code to distinguish different types of equipment for the tachograph application.

EquipmentType ::= INTEGER(0..255)

- Reserved (0),
- Driver Card (1),
- Workshop Card (2),
- Control Card (3),
- Company Card (4),
- Manufacturing Card (5),
- Vehicle Unit (6),
- Motion Sensor (7),
- RFU (8..255)

Value assignment: According to ISO/IEC 8824-1.

Value 0 is reserved for the purpose of designating a Member State or Europe in the CHA field of certificates.

2.53. EuropeanPublicKey

The European public key.

EuropeanPublicKey ::= PublicKey.

2.54. EventFaultType

Code qualifying an event or a fault.

EventFaultType ::= OCTET STRING (SIZE(1)).

Value assignment:

| | |
|-----------------------|--|
| '0x'H | General events, |
| '00'H | No further details, |
| '01'H | Insertion of a non-valid card, |
| '02'H | Card conflict, |
| '03'H | Time overlap, |
| '04'H | Driving without an appropriate card, |
| '05'H | Card insertion while driving, |
| '06'H | Last card session not correctly closed, |
| '07'H | Over speeding, |
| '08'H | Power supply interruption, |
| '09'H | Motion data error, |
| [^{F3} '0A'H | Vehicle Motion Conflict, |
| '0B'H to '0F'H | RFU,] |
| '1x'H | Vehicle unit related security breach attempt events, |
| '10'H | No further details, |

Status: Point in time view as at 22/02/2016.

Changes to legislation: There are currently no known outstanding effects for the Council Regulation (EEC) No 3821/85, ANNEX I B. (See end of Document for details)

| | |
|----------------|--|
| '11'H | Motion sensor authentication failure, |
| '12'H | Tachograph card authentication failure, |
| '13'H | Unauthorised change of motion sensor, |
| '14'H | Card data input integrity error |
| '15'H | Stored user data integrity error, |
| '16'H | Internal data transfer error, |
| '17'H | Unauthorised case opening, |
| '18'H | Hardware sabotage, |
| '19'H to '1F'H | RFU, |
| '2x'H | Sensor related security breach attempt events, |
| '20'H | No further details, |
| '21'H | Authentication failure, |
| '22'H | Stored data integrity error, |
| '23'H | Internal data transfer error, |
| '24'H | Unauthorised case opening, |
| '25'H | Hardware sabotage, |
| '26'H to '2F'H | RFU, |
| '3x'H | Recording equipment faults, |
| '30'H | No further details, |
| '31'H | VU internal fault, |
| '32'H | Printer fault, |
| '33'H | Display fault, |
| '34'H | Downloading fault, |
| '35'H | Sensor fault, |
| '36'H to '3F'H | RFU |
| '4x'H | Card faults, |
| '40'H | No further details, |
| '41'H to '4F'H | RFU |
| '50'H to '7F'H | RFU, |
| '80'H to 'FF'H | Manufacturer specific. |

2.55. EventFaultRecordPurpose

Code explaining why an event or a fault has been recorded.

EventFaultRecordPurpose ::= OCTET STRING (SIZE(1)).

Value assignment:

| | |
|----------------|---|
| '00'H | one of the 10 most recent (or last) events or faults |
| '01'H | the longest event for one of the last 10 days of occurrence |
| '02'H | one of the 5 longest events over the last 365 days |
| '03'H | the last event for one of the last 10 days of occurrence |
| '04'H | the most serious event for one of the last 10 days of occurrence |
| '05'H | one of the 5 most serious events over the last 365 days |
| '06'H | the first event or fault having occurred after the last calibration |
| '07'H | an active/on-going event or fault |
| '08'H to '7F'H | RFU |
| '80'H to 'FF'H | manufacturer specific. |

2.56. ExtendedSerialNumber

Unique identification of an equipment. It can also be used as an equipment Public Key Identifier.

Status: Point in time view as at 22/02/2016.

Changes to legislation: There are currently no known outstanding effects for the Council Regulation (EEC) No 3821/85, ANNEX I B. (See end of Document for details)

```

ExtendedSerialNumber ::= SEQUENCE {
serialNumber INTEGER(0..232-1)
monthYear BCDString(SIZE(2))
type OCTET STRING(SIZE(1))
manufacturerCode ManufacturerCode
}

```

serialNumber is a serial number for the equipment, unique for the manufacturer, the equipment's type and the month below.

monthYear is the identification of the month and the year of manufacturing (or of serial number assignment).

Value assignment: BCD coding of Month (two digits) and Year (two last digits).

type is an identifier of the type of equipment.

Value assignment: manufacturer specific, with FFh' reserved value.

manufacturerCode: is the numerical code of the manufacturer of the equipment.

2.57. FullCardNumber

Code fully identifying a tachograph card.

```

FullCardNumber ::= SEQUENCE {
cardType EquipmentType,
cardIssuingMemberState NationNumeric,
cardNumber CardNumber
}

```

cardType is the type of the tachograph card.

cardIssuingMemberState is the code of the Member State having issued the card.

cardNumber is the card number.

2.58. HighResOdometer

Odometer value of the vehicle: Accumulated distance travelled by the vehicle during its operation.

```

HighResOdometer ::= INTEGER(0..232-1)

```

Value assignment: Unsigned binary. Value in 1/200 km in the operating range 0 to 21 055 406 km.

2.59. HighResTripDistance

A distance travelled during all or part of a journey.

```

HighResTripDistance ::= INTEGER(0..232-1)

```


Status: Point in time view as at 22/02/2016.

Changes to legislation: There are currently no known outstanding effects for the Council Regulation (EEC) No 3821/85, ANNEX I B. (See end of Document for details)

Value assignment: Unsigned binary. Value in 1/200 km in the operating range 0 to 21 055 406 km.

2.60. HolderName

The surname and first name(s) of a card holder.

HolderName ::= SEQUENCE {

holderSurname Name,

holderFirstNames Name

}

holderSurname is the surname (family name) of the holder. This surname does not include titles.

Value assignment: When a card is not personal, holderSurname contains the same information as companyName or workshopName or controlBodyName.

holderFirstNames is the first name(s) and initials of the holder.

2.61. K-ConstantOfRecordingEquipment

Constant of the recording equipment (definition m)).

K-ConstantOfRecordingEquipment ::= INTEGER(0..2¹⁶-1)

Value assignment: Pulses per kilometre in the operating range 0 to 64 255 pulses/km.

2.62. KeyIdentifier

A unique identifier of a Public Key used to reference and select the key. It also identifies the holder of the key.

KeyIdentifier ::= CHOICE {

extendedSerialNumber ExtendedSerialNumber,

certificateRequestID CertificateRequestID,

certificationAuthorityKID CertificationAuthorityKID

}

The first choice is suitable to reference the public key of a Vehicle Unit or of a tachograph card.

The second choice is suitable to reference the public key of a Vehicle Unit (in the case the serial number of the Vehicle Unit cannot be known at certificate generation time).

The third choice is suitable to reference the public key of a Member State.

2.63. L-TyreCircumference

Effective circumference of the wheel tyres (definition u)).

L-TyreCircumference ::= INTEGER(0..2¹⁶-1)

Value assignment: Unsigned binary, value in 1/8 mm in the operating range 0 to 8 031 mm.

2.64. Language

Status: Point in time view as at 22/02/2016.

Changes to legislation: There are currently no known outstanding effects for the Council Regulation (EEC) No 3821/85, ANNEX I B. (See end of Document for details)

Code identifying a language.

Language ::= IA5String(SIZE(2))

Value assignment: Two-letter lower-case coding according to ISO 639.

2.65. LastCardDownload

Date and time, stored on a driver card, of last card download (for other purposes than control). This date is updateable by a VU or any card reader.

LastCardDownload ::= TimeReal

Value assignment: not further specified.

2.66. ManualInputFlag

Code identifying whether a cardholder has manually entered driver activities at card insertion or not (requirement 081).

ManualInputFlag ::= INTEGER {

noEntry (0)

manualEntries (1)

}

Value assignment: not further specified.

[^{F3}2.67. ManufacturerCode

Code identifying a manufacturer of type-approved equipment.

ManufacturerCode: = INTEGER (0..255)

The laboratory competent for interoperability tests maintains and publishes the list of manufacturer codes on its web site (requirement 290).

ManufacturerCodes are provisionally assigned to developers of tachograph equipment on application to the laboratory competent for interoperability tests.]

2.68. MemberStateCertificate

The certificate of the public key of a Member State issued by the European certification authority.

MemberStateCertificate ::= Certificate

2.69. MemberStatePublicKey

The public key of a Member State.

MemberStatePublicKey ::= PublicKey.

[^{F3}2.70. Name

A name.

Name: = SEQUENCE {

codePage INTEGER (0..255),

Status: Point in time view as at 22/02/2016.

Changes to legislation: There are currently no known outstanding effects for the Council Regulation (EEC) No 3821/85, ANNEX I B. (See end of Document for details)

name OCTET STRING (SIZE(35))

}

codePage specifies a character set defined in Chapter 4,

name is a name encoded using the specified character set.]

[^{F3}2.71. NationAlpha

Alphabetic reference to a country shall be in accordance with the distinguishing signs used on vehicles in international traffic (United Nations Vienna Convention on Road Traffic, 1968).

NationAlpha: = IA5String (SIZE (3))

The Nation Alpha and Numeric codes shall be held on a list maintained on the website of the laboratory appointed to carry out interoperability testing, as set out in Requirement 278.]

[^{F3}2.72. NationNumeric

Numerical reference to a country.

NationNumeric: = INTEGER (0.. 255)

Value assignment: see data type 2.71 (NationAlpha)

Any amendment or updating of the Nation Alpha or Numeric specification described in the above paragraph shall only be made out after the appointed laboratory has obtained the views of type approved digital tachograph vehicle unit manufacturers.]

2.73. NoOfCalibrationRecords

Number of calibration records, a workshop card can store.

NoOfCalibrationRecords ::= INTEGER(0..255)

Value assignment: see paragraph 3.

2.74. NoOfCalibrationsSinceDownload

Counter indicating the number of calibrations performed with a workshop card since its last download (requirement 230).

NoOfCalibrationsSinceDownload ::= INTEGER(0..2¹⁶-1),

Value assignment: Not specified further.

2.75. NoOfCardPlaceRecords

Number of place records a driver or workshop card can store.

NoOfCardPlaceRecords ::= INTEGER(0..255)

Value assignment: see paragraph 3.

2.76. NoOfCardVehicleRecords

Number of vehicles used records a driver or workshop card can store.

NoOfCardVehicleRecords ::= INTEGER(0..2¹⁶-1)

Status: Point in time view as at 22/02/2016.

Changes to legislation: There are currently no known outstanding effects for the Council Regulation (EEC) No 3821/85, ANNEX I B. (See end of Document for details)

Value assignment: see paragraph 3.

2.77. NoOfCompanyActivityRecords

Number of company activity records, a company card can store.

$NoOfCompanyActivityRecords ::= INTEGER(0..2^{16}-1)$

Value assignment: see paragraph 3.

2.78. NoOfControlActivityRecords

Number of control activity records, a control card can store.

$NoOfControlActivityRecords ::= INTEGER(0..2^{16}-1)$

Value assignment: see paragraph 3.

2.79. NoOfEventsPerType

Number of events per type of event a card can store.

$NoOfEventsPerType ::= INTEGER(0..255)$

Value assignment: see paragraph 3.

2.80. NoOfFaultsPerType

Number of faults per type of fault a card can store.

$NoOfFaultsPerType ::= INTEGER(0..255)$

Value assignment: see paragraph 3.

2.81. OdometerValueMidnight

The vehicle's odometer value at midnight on a given day (requirement 090).

$OdometerValueMidnight ::= OdometerShort$

Value assignment: not further specified.

2.82. OdometerShort

Odometer value of the vehicle in a short form.

$OdometerShort ::= INTEGER(0..2^{24}-1)$

Value assignment: Unsigned binary. Value in km in the operating range 0 to 9 999 999 km.

2.83. OverspeedNumber

Number of over speeding events since the last over speeding control.

$OverspeedNumber ::= INTEGER(0..255)$

Value assignment: 0 means that no over speeding event has occurred since the last over speeding control, 1 means that one over speeding event has occurred since the last over speeding control ... 255 means that 255 or more over speeding events have occurred since the last over speeding control.

2.84. PlaceRecord

Status: Point in time view as at 22/02/2016.

Changes to legislation: There are currently no known outstanding effects for the Council Regulation (EEC) No 3821/85, ANNEX I B. (See end of Document for details)

Information related to a place where a daily work period begins or ends (requirements 087, 202, 221).

```
PlaceRecord ::= SEQUENCE {
    entryTime TimeReal,
    entryTypeDailyWorkPeriod EntryTypeDailyWorkPeriod,
    dailyWorkPeriodCountry NationNumeric,
    dailyWorkPeriodRegion RegionNumeric,
    vehicleOdometerValue OdometerShort
}
```

entryTime is a date and time related to the entry.

entryTypeDailyWorkPeriod is the type of entry.

dailyWorkPeriodCountry is the country entered.

dailyWorkPeriodRegion is the region entered.

vehicleOdometerValue is the odometer value at the time of place entry.

2.85. PreviousVehicleInfo

Information related to the vehicle previously used by a driver when inserting his card in a vehicle unit (requirement 081).

```
PreviousVehicleInfo ::= SEQUENCE {
    vehicleRegistrationIdentification VehicleRegistrationIdentification,
    cardWithdrawalTime TimeReal
}
```

vehicleRegistrationIdentification is the VRN and the registering Member State of the vehicle.

cardWithdrawalTime is the card withdrawal date and time.

2.86. PublicKey

A public RSA key.

```
PublicKey ::= SEQUENCE {
    rsaKeyModulus RSAKeyModulus,
    rsaKeyPublicExponent RSAKeyPublicExponent
}
```

rsaKeyModulus is the Modulus of the key pair.

rsaKeyPublicExponent is the public exponent of the key pair.

2.87. RegionAlpha

Alphabetic reference to a region within a specified country.

Status: Point in time view as at 22/02/2016.

Changes to legislation: There are currently no known outstanding effects for the Council Regulation (EEC) No 3821/85, ANNEX I B. (See end of Document for details)

RegionAlpha ::= IA5STRING(SIZE(3))

Value assignment:

| | |
|-----------------------|--------------------------|
| ' ' | No information available |
| Spain: | |
| 'AN ' | Andalucía |
| 'AR ' | Aragón |
| 'AST' | Asturias |
| 'C ' | Cantabria |
| 'CAT' | Cataluña |
| 'CL ' | Castilla-León |
| 'CM ' | Castilla-La-Mancha |
| 'CV ' | Valencia |
| 'EXT' | Extremadura |
| 'G ' | Galicia |
| 'IB ' | Baleares |
| 'IC ' | Canarias |
| 'LR ' | La Rioja |
| 'M ' | Madrid |
| 'MU ' | Murcia |
| 'NA ' | Navarra |
| [^{XI} 'PV ' | País Vasco |

2.88. RegionNumeric

Numerical reference to a region within a specified country.

RegionNumeric ::= OCTET STRING (SIZE(1))

Value assignment:

| | |
|--------|--------------------------|
| '00'H | No information available |
| Spain: | |
| '01'H | Andalucía |
| '02'H | Aragón |
| '03'H | Asturias |
| '04'H | Cantabria |
| '05'H | Cataluña |
| '06'H | Castilla-León |
| '07'H | Castilla-La-Mancha |
| '08'H | Valencia |
| '09'H | Extremadura |
| '0A'H | Galicia |
| '0B'H | Baleares |
| '0C'H | Canarias |
| '0D'H | La Rioja |
| '0E'H | Madrid |
| '0F'H | Murcia |
| '10'H | Navarra |
| '11'H | País Vasco. |

2.89. RSAKeyModulus

Status: Point in time view as at 22/02/2016.

Changes to legislation: There are currently no known outstanding effects for the Council Regulation (EEC) No 3821/85, ANNEX I B. (See end of Document for details)

The modulus of a RSA key pair.

RSAPublicModulus ::= OCTET STRING (SIZE(128))

Value assignment: Unspecified.

2.90. RSAKeyPrivateExponent

The private exponent of a RSA key pair.

RSAPrivateExponent ::= OCTET STRING (SIZE(128))

Value assignment: Unspecified.

2.91. RSAKeyPublicExponent

The public exponent of a RSA key pair.

RSAPublicExponent ::= OCTET STRING (SIZE(8))

Value assignment: Unspecified.

2.92. SensorApprovalNumber

Type approval number of the sensor.

SensorApprovalNumber ::= IA5String(SIZE(8))

Value assignment: Unspecified.

2.93. SensorIdentification

Information, stored in a motion sensor, related to the identification of the motion sensor (requirement 077).

*SensorIdentification ::= SEQUENCE {
sensorSerialNumber SensorSerialNumber,
sensorApprovalNumber SensorApprovalNumber,
sensorSCIdentifier SensorSCIdentifier,
sensorOSIdentifier SensorOSIdentifier
}*

sensorSerialNumber is the extended serial number of the motion sensor (includes part number and manufacturer code).

sensorApprovalNumber is the approval number of the motion sensor.

sensorSCIdentifier is the identifier of the security component of the motion sensor.

sensorOSIdentifier is the identifier of the operating system of the motion sensor.

2.94. SensorInstallation

Information, stored in a motion sensor, related to the installation of the motion sensor (requirement 099).

SensorInstallation ::= SEQUENCE {

Status: Point in time view as at 22/02/2016.

Changes to legislation: There are currently no known outstanding effects for the Council Regulation (EEC) No 3821/85, ANNEX I B. (See end of Document for details)

```

sensorPairingDateFirst SensorPairingDate,
firstVuApprovalNumber VuApprovalNumber,
firstVuSerialNumber VuSerialNumber,
sensorPairingDateCurrent SensorPairingDate,
currentVuApprovalNumber VuApprovalNumber,
currentVUSerialNumber VuSerialNumber
}

```

sensorPairingDateFirst is the date of the first pairing of the motion sensor with a vehicle unit.

firstVuApprovalNumber is the approval number of the first vehicle unit paired with the motion sensor.

firstVuSerialNumber is the serial number of the first vehicle unit paired with the motion sensor.

sensorPairingDateCurrent is the date of the current pairing of the motion sensor with the vehicle unit.

currentVuApprovalNumber is the approval number of the vehicle unit currently paired with the motion sensor.

currentVUSerialNumber is the serial number of the vehicle unit currently paired with the motion sensor.

2.95. *SensorInstallationSecData*

Information, stored in a workshop card, related to the security data needed for pairing motion sensors to vehicle units (requirement 214).

SensorInstallationSecData ::= TDesSessionKey

Value assignment: in accordance with ISO 16844-3.

2.96. *SensorOSIdentifier*

Identifier of the operating system of the motion sensor.

SensorOSIdentifier ::= IA5String(SIZE(2))

Value assignment: manufacturer specific.

2.97. *SensorPaired*

Information, stored in a vehicle unit, related to the identification of the motion sensor paired with the vehicle unit (requirement 079).

SensorPaired ::= SEQUENCE {

sensorSerialNumber *SensorSerialNumber*,

sensorApprovalNumber *SensorApprovalNumber*,

sensorPairingDateFirst *SensorPairingDate*

}

Status: Point in time view as at 22/02/2016.

Changes to legislation: There are currently no known outstanding effects for the Council Regulation (EEC) No 3821/85, ANNEX I B. (See end of Document for details)

sensorSerialNumber is the serial number of the motion sensor currently paired with the vehicle unit.

sensorApprovalNumber is the approval number of the motion sensor currently paired with the vehicle unit.

sensorPairingDateFirst is the date of the first pairing with a vehicle unit of the motion sensor currently paired with the vehicle unit.

2.98. SensorPairingDate

Date of a pairing of the motion sensor with a vehicle unit.

SensorPairingDate ::= TimeReal

Value assignment: Unspecified.

2.99. SensorSerialNumber

Serial number of the motion sensor.

SensorSerialNumber ::= ExtendedSerialNumber:

2.100. SensorSCIdentifier

Identifier of the security component of the motion sensor.

SensorSCIdentifier ::= IA5String(SIZE(8))

Value assignment: component manufacturer specific.

2.101. Signature

A digital signature.

Signature ::= OCTET STRING (SIZE(128))

Value assignment: in accordance with Appendix 11, 'Common security mechanisms'.

2.102. SimilarEventsNumber

The number of similar events for one given day (requirement 094).

SimilarEventsNumber ::= INTEGER(0..255)

Value assignment: 0 is not used, 1 means that only one event of that type have occurred and have been stored on that day, 2 means that 2 events of that type have occurred on that day (one only has been stored), ... 255 means that 255 or more events of that type have occurred on that day.

2.103. SpecificConditionType

Code identifying a specific condition (requirements 050b, 105a, 212a and 230a).

SpecificConditionType ::= INTEGER(0..255)

Value assignment:

| | |
|-------|----------------------|
| '00'H | RFU |
| '01'H | Out of scope — Begin |
| '02'H | Out of scope — End |
| '03'H | Ferry/Train crossing |

Status: Point in time view as at 22/02/2016.

Changes to legislation: There are currently no known outstanding effects for the Council Regulation (EEC) No 3821/85, ANNEX I B. (See end of Document for details)

'04'H .. 'FF'H RFU.

2.104. SpecificConditionRecord

Information, stored in a driver card, a workshop card or a vehicle unit, related to a specific condition (requirements 105a, 212a and 230a).

```
SpecificConditionRecord ::= SEQUENCE {
  entryTime TimeReal,
  specificConditionType SpecificConditionType
}
```

entryTime is the date and time of the entry.

specificConditionType is the code identifying the specific condition.

2.105. Speed

Speed of the vehicle (km/h).

```
Speed ::= INTEGER(0..255)
```

Value assignment: kilometre per hour in the operational range 0 to 220 km/h.

2.106. SpeedAuthorised

Maximum authorised Speed of the vehicle (definition bb)).

```
SpeedAuthorised ::= Speed.
```

2.107. SpeedAverage

Average speed in a previously defined duration (km/h).

```
SpeedAverage ::= Speed.
```

2.108. SpeedMax

Maximum speed measured in a previously defined duration.

```
SpeedMax ::= Speed.
```

2.109. TDesSessionKey

A triple DES session key.

```
TDesSessionKey ::= SEQUENCE {
  tDesKeyA OCTET STRING (SIZE(8))
  tDesKeyB OCTET STRING (SIZE(8))
}
```

Value assignment: not further specified.

2.110. TimeReal

Code for a combined date and time field, where the date and time are expressed as seconds past 00h.00m.00s. on 1 January 1970 GMT.

Status: Point in time view as at 22/02/2016.

Changes to legislation: There are currently no known outstanding effects for the Council Regulation (EEC) No 3821/85, ANNEX I B. (See end of Document for details)

TimeReal{INTEGER:TimeRealRange} ::= INTEGER(0..TimeRealRange)

Value assignment — Octet Aligned: Number of seconds since midnight 1 January 1970 GMT.

The max possible date/time is in the year 2106.

2.111. TyreSize

Designation of tyre dimensions.

TyreSize ::= IA5String(SIZE(15))

Value assignment: in accordance with Directive 92/23 (EEC) 31.3.1992, OJ L 129, p. 95.

2.112. VehicleIdentificationNumber

Vehicle Identification Number (VIN) referring to the vehicle as a whole, normally chassis serial number or frame number.

VehicleIdentificationNumber ::= IA5String(SIZE(17))

Value assignment: As defined in ISO 3779.

2.113. VehicleRegistrationIdentification

Identification of a vehicle, unique for Europe (VRN and Member State).

*VehicleRegistrationIdentification ::= SEQUENCE {
vehicleRegistrationNation NationNumeric,
vehicleRegistrationNumber VehicleRegistrationNumber
}*

vehicleRegistrationNation is the nation where the vehicle is registered.

vehicleRegistrationNumber is the registration number of the vehicle (VRN).

[^{F3}2.114. VehicleRegistrationNumber

Registration number of the vehicle (VRN). The registration number is assigned by the vehicle licensing authority.

*VehicleRegistrationNumber: = SEQUENCE {
codePage INTEGER (0..255),
vehicleRegNumber OCTET STRING (SIZE(13))
}*

codePage specifies a character set defined in Chapter 4,

vehicleRegNumber is a VRN encoded using the specified character set.

Value assignment: Country specific.]

2.115. VuActivityDailyData

Status: Point in time view as at 22/02/2016.

Changes to legislation: There are currently no known outstanding effects for the Council Regulation (EEC) No 3821/85, ANNEX I B. (See end of Document for details)

Information, stored in a VU, related to changes of activity and/or changes of driving status and/or changes of card status for a given calendar day (requirement 084) and to slots status at 00.00 that day.

```
VuActivityDailyData ::= SEQUENCE {
noOfActivityChanges INTEGER SIZE(0..1 440),
activityChangeInfos SET SIZE(noOfActivityChanges) OF ActivityChangeInfo
}
```

noOfActivityChanges is the number of ActivityChangeInfo words in the activityChangeInfos set.

activityChangeInfos is the set of ActivityChangeInfo words stored in the VU for the day. It always includes two ActivityChangeInfo words giving the status of the two slots at 00.00 that day.

2.116. VuApprovalNumber

Type approval number of the vehicle unit.

```
VuApprovalNumber ::= IA5String(SIZE(8))
```

Value assignment: Unspecified.

2.117. VuCalibrationData

Information, stored in a vehicle unit, related to the calibrations of the recording equipment (requirement 098).

```
VuCalibrationData ::= SEQUENCE {
noOfVuCalibrationRecords INTEGER(0..255),
vuCalibrationRecords SET SIZE(noOfVuCalibrationRecords) OF VuCalibrationRecord
}
```

noOfVuCalibrationRecords is the number of records contained in the vuCalibrationRecords set.

vuCalibrationRecords is the set of calibration records.

2.118. VuCalibrationRecord

Information, stored in a vehicle unit, related a calibration of the recording equipment (requirement 098).

```
VuCalibrationRecord ::= SEQUENCE {
calibrationPurpose CalibrationPurpose,
workshopName Name,
workshopAddress Address,
workshopCardNumber FullCardNumber,
workshopCardExpiryDate TimeReal,
```

Status: Point in time view as at 22/02/2016.

Changes to legislation: There are currently no known outstanding effects for the Council Regulation (EEC) No 3821/85, ANNEX I B. (See end of Document for details)

vehicleIdentificationNumber VehicleIdentificationNumber,
vehicleRegistrationIdentification VehicleRegistrationIdentification,
wVehicleCharacteristicConstant W-VehicleCharacteristicConstant,
kConstantOfRecordingEquipment K-ConstantOfRecordingEquipment,
lTyreCircumference L-TyreCircumference,
tyreSize TyreSize,
authorisedSpeed SpeedAuthorised,
oldOdometerValue OdometerShort,
newOdometerValue OdometerShort,
oldTimeValue TimeReal,
newTimeValue TimeReal,
nextCalibrationDate TimeReal
}

calibrationPurpose is the purpose of the calibration.

workshopName, workshopAddress are the workshop name and address.

workshopCardNumber identifies the workshop card used during the calibration.

workshopCardExpiryDate is the card expiry date.

vehicleIdentificationNumber is the VIN.

vehicleRegistrationIdentification contains the VRN and registering Member State.

wVehicleCharacteristicConstant is the characteristic coefficient of the vehicle.

kConstantOfRecordingEquipment is the constant of the recording equipment.

lTyreCircumference is the effective circumference of the wheel tyres.

tyreSize is the designation of the dimension of the tyres mounted on the vehicle.

authorisedSpeed is the authorised speed of the vehicle.

oldOdometerValue, newOdometerValue are the old and new values of the odometer.

oldTimeValue, newTimeValue are the old and new values of date and time.

nextCalibrationDate is the date of the next calibration of the type specified in CalibrationPurpose to be carried out by the authorised inspection authority.

2.119. VuCardIWDData

Information, stored in a vehicle unit, related to insertion and withdrawal cycles of driver cards or of workshop cards in the vehicle unit (requirement 081).

Status: Point in time view as at 22/02/2016.

Changes to legislation: There are currently no known outstanding effects for the Council Regulation (EEC) No 3821/85, ANNEX I B. (See end of Document for details)

```

VuCardIWData ::= SEQUENCE {
    noOfIWRecords          INTEGER(0..216-1),
    vuCardIWRecords       SET SIZE(noOfIWRecords) OF
[X1] VuCardIWRecord
}

```

noOfIWRecords is the number of records in the set vuCardIWRecords.

vuCardIWRecords is a set of records related to card insertion withdrawal cycles.

2.120. VuCardIWRecord

Information, stored in a vehicle unit, related to an insertion and withdrawal cycle of a driver card or of a workshop card in the vehicle unit (requirement 081).

```

VuCardIWRecord ::= SEQUENCE {
    cardHolderName HolderName,
    fullCardNumber FullCardNumber,
    cardExpiryDate TimeReal,
    cardInsertionTime TimeReal,
    vehicleOdometerValueAtInsertion OdometerShort,
    cardSlotNumber CardSlotNumber,
    cardWithdrawalTime TimeReal,
    vehicleOdometerValueAtWithdrawal OdometerShort,
    previousVehicleInfo PreviousVehicleInfo
    manualInputFlag ManualInputFlag
}

```

cardHolderName is the driver or workshop card holder's surname and first names as stored in the card.

fullCardNumber is the type of card, its issuing Member State and its card number as stored in the card.

cardExpiryDate is the card's expiry date as stored in the card.

cardInsertionTime is the insertion date and time.

vehicleOdometerValueAtInsertion is the vehicle odometer value at card insertion.

cardSlotNumber is the slot in which the card is inserted.

cardWithdrawalTime is the withdrawal date and time.

vehicleOdometerValueAtWithdrawal is the vehicle odometer value at card withdrawal.

previousVehicleInfo contains information about the previous vehicle used by the driver, as stored in the card.

Status: Point in time view as at 22/02/2016.

Changes to legislation: There are currently no known outstanding effects for the Council Regulation (EEC) No 3821/85, ANNEX I B. (See end of Document for details)

manualInputFlag is a flag identifying if the cardholder has manually entered driver activities at card insertion.

2.121. VuCertificate

Certificate of the public key of a vehicle unit.

VuCertificate ::= Certificate

2.122. VuCompanyLocksData

Information, stored in a vehicle unit, related to company locks (requirement 104).

*VuCompanyLocksData ::= SEQUENCE {
noOfLocks INTEGER(0..20),
vuCompanyLocksRecords SET SIZE(noOfLocks) OF VuCompanyLocksRecord
}*

noOfLocks is the number of locks listed in vuCompanyLocksRecords.

vuCompanyLocksRecords is the set of company locks records.

2.123. VuCompanyLocksRecord

Information, stored in a vehicle unit, related to one company lock (requirement 104).

*VuCompanyLocksRecord ::= SEQUENCE {
lockInTime TimeReal,
lockOutTime TimeReal,
companyName Name,
companyAddress Address,
companyCardNumber FullCardNumber
}*

lockInTime, **lockOutTime** are the date and time of lock-in and lock-out.

companyName, **companyAddress** are the company name and address related with the lock-in.

companyCardNumber identifies the card used at lock-in.

2.124. VuControlActivityData

Information, stored in a vehicle unit, related to controls performed using this VU (requirement 102).

*VuControlActivityData ::= SEQUENCE {
noOfControls INTEGER(0..20),
vuControlActivityRecords SET SIZE(noOfControls) OF VuControlActivityRecord
}*

noOfControls is the number of controls listed in vuControlActivityRecords.

Status: Point in time view as at 22/02/2016.

Changes to legislation: There are currently no known outstanding effects for the Council Regulation (EEC) No 3821/85, ANNEX I B. (See end of Document for details)

VuControlActivityRecords is the set of control activity records.

2.125. VuControlActivityRecord

Information, stored in a vehicle unit, related to a control performed using this VU (requirement 102).

```
VuControlActivityRecord ::= SEQUENCE {
controlType ControlType,
controlTime TimeReal,
controlCardNumber FullCardNumber,
downloadPeriodBeginTime TimeReal,
downloadPeriodEndTime TimeReal
}
```

controlType is the type of the control.

controlTime is the date and time of the control.

ControlCardNumber identifies the control card used for the control.

downloadPeriodBeginTime is the begin time of the downloaded period, in case of downloading.

downloadPeriodEndTime is the end time of the downloaded period, in case of downloading.

2.126. VuDataBlockCounter

Counter, stored in a card, identifying sequentially the insertion withdrawal cycles of the card in vehicle units.

```
VuDataBlockCounter ::= BCDString(SIZE(2))
```

Value assignment: Consecutive Number with max. value 9 999, starting again with 0.

2.127. VuDetailedSpeedBlock

Information, stored in a vehicle unit, related to the vehicle's detailed speed for a minute during which the vehicle has been moving (requirement 093).

```
VuDetailedSpeedBlock ::= SEQUENCE {
speedBlockBeginDate TimeReal,
speedsPerSecond SEQUENCE SIZE(60) OF Speed
}
```

speedBlockBeginDate is the date and time of the first speed value within the block.

speedsPerSecond is the chronological sequence of measured speeds every seconds for the minute starting at speedBlockBeginDate (included).

2.128. VuDetailedSpeedData

Information, stored in a vehicle unit, related to the detailed speed of the vehicle.

Status: Point in time view as at 22/02/2016.

Changes to legislation: There are currently no known outstanding effects for the Council Regulation (EEC) No 3821/85, ANNEX I B. (See end of Document for details)

```
VuDetailedSpeedData ::= SEQUENCE  
noOfSpeedBlocks INTEGER(0..216-1),  
vuDetailedSpeedBlocks SET SIZE(noOfSpeedBlocks) OF VuDetailedSpeedBlock  
}
```

noOfSpeedBlocks is the number of speed blocks in the vuDetailedSpeedBlocks set.

vuDetailedSpeedBlocks is the set of detailed speed blocks.

2.129. VuDownloadablePeriod

Oldest and latest dates for which a vehicle unit holds data related to drivers activities (requirements 081, 084 or 087).

```
VuDownloadablePeriod ::= SEQUENCE {  
minDownloadableTime TimeReal  
maxDownloadableTime TimeReal  
}
```

minDownloadableTime is the oldest card insertion or activity change or place entry date and time stored in the VU.

maxDownloadableTime is the latest card withdrawal or activity change or place entry date and time stored in the VU.

2.130. VuDownloadActivityData

Information, stored in a vehicle unit, related to its last download (requirement 105).

```
VuDownloadActivityData ::= SEQUENCE {  
downloadingTime TimeReal,  
fullCardNumber FullCardNumber,  
companyOrWorkshopName Name  
}
```

downloadingTime is the date and time of downloading.

fullCardNumber identifies the card used to authorise the download.

companyOrWorkshopName is the company or workshop name.

2.131. VuEventData

Information, stored in a vehicle unit, related to events (requirement 094 except over speeding event).

```
VuEventData ::= SEQUENCE {  
noOfVuEvents INTEGER(0..255),  
vuEventRecords SET SIZE(noOfVuEvents) OF VuEventRecord
```

Status: Point in time view as at 22/02/2016.

Changes to legislation: There are currently no known outstanding effects for the Council Regulation (EEC) No 3821/85, ANNEX I B. (See end of Document for details)

}

noOfVuEvents is the number of events listed in the vuEventRecords set.

vuEventRecords is a set of events records.

2.132. VuEventRecord

Information, stored in a vehicle unit, related to an event (requirement 094 except over speeding event).

```
VuEventRecord ::= SEQUENCE {
  eventType EventFaultType,
  eventRecordPurpose EventFaultRecordPurpose,
  eventBeginTime TimeReal,
  eventEndTime TimeReal,
  cardNumberDriverSlotBegin FullCardNumber,
  cardNumberCodriverSlotBegin FullCardNumber,
  cardNumberDriverSlotEnd FullCardNumber,
  cardNumberCodriverSlotEnd FullCardNumber,
  similarEventsNumber SimilarEventsNumber
}
```

eventType is the type of the event.

eventRecordPurpose is the purpose for which this event has been recorded.

eventBeginTime is the date and time of beginning of event.

eventEndTime is the date and time of end of event.

cardNumberDriverSlotBegin identifies the card inserted in the driver slot at the beginning of the event.

cardNumberCodriverSlotBegin identifies the card inserted in the co-driver slot at the beginning of the event.

cardNumberDriverSlotEnd identifies the card inserted in the driver slot at the end of the event.

cardNumberCodriverSlotEnd identifies the card inserted in the co-driver slot at the end of the event.

similarEventsNumber is the number of similar events that day.

This sequence can be used for all events other than over speeding events.

2.133. VuFaultData

Information, stored in a vehicle unit, related to faults (requirement 096).

```
VuFaultData ::= SEQUENCE {
```

Status: Point in time view as at 22/02/2016.

Changes to legislation: There are currently no known outstanding effects for the Council Regulation (EEC) No 3821/85, ANNEX I B. (See end of Document for details)

noOfVuFaults INTEGER(0..255),
vuFaultRecords SET SIZE(noOfVuFaults) OF VuFaultRecord
}

noOfVuFaults is the number of faults listed in the vuFaultRecords set.

vuFaultRecords is a set of faults records.

2.134. VuFaultRecord

Information, stored in a vehicle unit, related to a fault (requirement 096).

VuFaultRecord ::= SEQUENCE {
faultType EventFaultType,
faultRecordPurpose EventFaultRecordPurpose,
faultBeginTime TimeReal,
faultEndTime TimeReal,
cardNumberDriverSlotBegin FullCardNumber,
cardNumberCodriverSlotBegin FullCardNumber,
cardNumberDriverSlotEnd FullCardNumber,
cardNumberCodriverSlotEnd FullCardNumber
}

faultType is the type of recording equipment fault.

faultRecordPurpose is the purpose for which this fault has been recorded.

faultBeginTime is the date and time of beginning of fault.

faultEndTime is the date and time of end of fault.

cardNumberDriverSlotBegin identifies the card inserted in the driver slot at the beginning of the fault.

cardNumberCodriverSlotBegin identifies the card inserted in the co-driver slot at the beginning of the fault.

cardNumberDriverSlotEnd identifies the card inserted in the driver slot at the end of the fault.

cardNumberCodriverSlotEnd identifies the card inserted in the co-driver slot at the end of the fault.

2.135. VuIdentification

Information, stored in a vehicle unit, related to the identification of the vehicle unit (requirement 075).

VuIdentification ::= SEQUENCE {
vuManufacturerName VuManufacturerName,

Status: Point in time view as at 22/02/2016.

Changes to legislation: There are currently no known outstanding effects for the Council Regulation (EEC) No 3821/85, ANNEX I B. (See end of Document for details)

```

vuManufacturerAddress VuManufacturerAddress,
vuPartNumber VuPartNumber,
vuSerialNumber VuSerialNumber,
vuSoftwareIdentification VuSoftwareIdentification,
vuManufacturingDate VuManufacturingDate,
vuApprovalNumber VuApprovalNumber
}

```

vuManufacturerName is the name of the manufacturer of the vehicle unit.

vuManufacturerAddress is the address of the manufacturer of the vehicle unit.

vuPartNumber is the part number of the vehicle unit.

vuSerialNumber is the serial number of the vehicle unit.

vuSoftwareIdentification identifies the software implemented in the vehicle unit.

vuManufacturingDate is the manufacturing date of the vehicle unit.

vuApprovalNumber is the type approval number of the vehicle unit.

2.136. VuManufacturerAddress

Address of the manufacturer of the vehicle unit.

VuManufacturerAddress ::= Address

Value assignment: Unspecified.

2.137. VuManufacturerName

Name of the manufacturer of the vehicle unit.

VuManufacturerName ::= Name

Value assignment: Unspecified.

2.138. VuManufacturingDate

Date of manufacture of the vehicle unit.

VuManufacturingDate ::= TimeReal

Value assignment: Unspecified.

2.139. VuOverSpeedingControlData

Information, stored in a vehicle unit, related to over speeding events since the last over speeding control (requirement 095).

VuOverSpeedingControlData ::= SEQUENCE {

lastOverspeedControlTime TimeReal,

firstOverspeedSince TimeReal,

Status: Point in time view as at 22/02/2016.

Changes to legislation: There are currently no known outstanding effects for the Council Regulation (EEC) No 3821/85, ANNEX I B. (See end of Document for details)

numberOfOverspeedSince OverspeedNumber

}

lastOverspeedControlTime is the date and time of the last over speeding control.

firstOverspeedSince is the date and time of the first over speeding following this over speeding control.

numberOfOverspeedSince is the number of over speeding events since the last over speeding control.

2.140. VuOverSpeedingEventData

Information, stored in a vehicle unit, related to over speeding events (requirement 094).

VuOverSpeedingEventData ::= SEQUENCE {

noOfVuOverSpeedingEvents INTEGER(0..255),

vuOverSpeedingEventRecords SET SIZE(noOfVuOverSpeedingEvents) OF VuOverSpeedingEventRecord

}

noOfVuOverSpeedingEvents is the number of events listed in the *vuOverSpeedingEventRecords* set.

vuOverSpeedingEventRecords is a set of over speeding events records.

2.141. VuOverSpeedingEventRecord

Information, stored in a vehicle unit, related to over speeding events (requirement 094).

VuOverSpeedingEventRecord ::= SEQUENCE {

eventType EventFaultType,

eventRecordPurpose EventFaultRecordPurpose,

eventBeginTime TimeReal,

eventEndTime TimeReal,

maxSpeedValue SpeedMax,

averageSpeedValue SpeedAverage,

cardNumberDriverSlotBegin FullCardNumber,

similarEventsNumber SimilarEventsNumber

}

eventType is the type of the event.

eventRecordPurpose is the purpose for which this event has been recorded.

eventBeginTime is the date and time of beginning of event.

eventEndTime is the date and time of end of event.

Status: Point in time view as at 22/02/2016.

Changes to legislation: There are currently no known outstanding effects for the Council Regulation (EEC) No 3821/85, ANNEX I B. (See end of Document for details)

maxSpeedValue is the maximum speed measured during the event.

averageSpeedValue is the arithmetic average speed measured during the event.

cardNumberDriverSlotBegin identifies the card inserted in the driver slot at the beginning of the event.

similarEventsNumber is the number of similar events that day.

2.142. VuPartNumber

Part number of the vehicle unit.

VuPartNumber ::= IA5String(SIZE(16))

Value assignment: VU manufacturer specific.

2.143. VuPlaceDailyWorkPeriodData

Information, stored in a vehicle unit, related to places where drivers begin or end a daily work periods (requirement 087).

VuPlaceDailyWorkPeriodData ::= SEQUENCE {

noOfPlaceRecords INTEGER(0..255),

vuPlaceDailyWorkPeriodRecords SET SIZE(noOfPlaceRecords) OF

VuPlaceDailyWorkPeriodRecord

}

noOfPlaceRecords is the number of records listed in the vuPlaceDailyWorkPeriodRecords set.

vuPlaceDailyWorkPeriodRecords is a set of place related records.

2.144. VuPlaceDailyWorkPeriodRecord

Information, stored in a vehicle unit, related to a place where a driver begins or ends a daily work period (requirement 087).

VuPlaceDailyWorkPeriodRecord ::= SEQUENCE {

fullCardNumber FullCardNumber,

placeRecord PlaceRecord

}

fullCardNumber is the driver's card type, card issuing Member State and card number.

placeRecord contains the information related to the place entered.

2.145. VuPrivateKey

The private key of a vehicle unit.

VuPrivateKey ::= RSAKeyPrivateExponent

2.146. VuPublicKey

The public key of a vehicle unit.

Status: Point in time view as at 22/02/2016.

Changes to legislation: There are currently no known outstanding effects for the Council Regulation (EEC) No 3821/85, ANNEX I B. (See end of Document for details)

VuPublicKey ::= PublicKey

2.147. VuSerialNumber

Serial number of the vehicle unit (requirement 075).

VuSerialNumber ::= ExtendedSerialNumber

2.148. VuSoftInstallationDate

Date of installation of the vehicle unit software version.

VuSoftInstallationDate ::= TimeReal

Value assignment: Unspecified.

2.149. VuSoftwareIdentification

Information, stored in a vehicle unit, related to the software installed.

VuSoftwareIdentification ::= SEQUENCE {

vuSoftwareVersion VuSoftwareVersion,

vuSoftInstallationDate VuSoftInstallationDate

}

vuSoftwareVersion is the software version number of the Vehicle Unit.

vuSoftInstallationDate is the software version installation date.

2.150. VuSoftwareVersion

Software version number of the vehicle unit.

VuSoftwareVersion ::= IA5String(SIZE(4))

Value assignment: Unspecified.

2.151. VuSpecificConditionData

Information, stored in a vehicle unit, related to specific conditions.

VuSpecificConditionData ::= SEQUENCE {

noOfSpecificConditionRecords INTEGER(0..2¹⁶-1)

specificConditionRecords SET SIZE (noOfSpecificConditionRecords) OF SpecificConditionRecord

}

noOfSpecificConditionRecords is the number of records listed in the specificConditionRecords set.

specificConditionRecords is a set of specific conditions related records.

2.152. VuTimeAdjustmentData

Information, stored in a vehicle unit, related to time adjustments performed outside the frame of a regular calibration (requirement 101).

Status: Point in time view as at 22/02/2016.

Changes to legislation: There are currently no known outstanding effects for the Council Regulation (EEC) No 3821/85, ANNEX I B. (See end of Document for details)

*VuTimeAdjustmentData ::= SEQUENCE {
noOfVuTimeAdjRecords INTEGER(0..6),
vuTimeAdjustmentRecords SET SIZE(noOfVuTimeAdjRecords) OF VuTimeAdjustmentRecord
}*

noOfVuTimeAdjRecords is the number of records in vuTimeAdjustmentRecords.

vuTimeAdjustmentRecords is a set of time adjustment records.

2.153. VuTimeAdjustmentRecord

Information, stored in a vehicle unit, related to a time adjustment performed outside the frame of a regular calibration (requirement 101).

*VuTimeAdjustmentRecord ::= SEQUENCE {
[^{x3}]*

Editorial Information

X3 Deleted by [Corrigendum to Commission Regulation \(EC\) No 1360/2002 of 13 June 2002 adapting for the seventh time to technical progress Council Regulation \(EEC\) No 3821/85 on recording equipment in road transport \(Official Journal of the European Communities L 207 of 5 August 2002\)](#).

*oldTimeValue TimeReal,
newTimeValue TimeReal,
workshopName Name,
workshopAddress Address,
workshopCardNumber FullCardNumber
}*

oldTimeValue, **newTimeValue** are the old and new values of date and time.

workshopName, **workshopAddress** are the workshop name and address.

workshopCardNumber identifies the workshop card used to perform the time adjustment.

2.154. W-VehicleCharacteristicConstant

Characteristic coefficient of the vehicle (definition k)).

W-VehicleCharacteristicConstant ::= INTEGER(0..2¹⁶-1)

Value assignment: Impulses per kilometre in the operating range 0 to 64 255 pulses/km.

2.155. WorkshopCardApplicationIdentification

Information, stored in a workshop card related to the identification of the application of the card (requirement 190).

WorkshopCardApplicationIdentification ::= SEQUENCE {

Status: Point in time view as at 22/02/2016.

Changes to legislation: There are currently no known outstanding effects for the Council Regulation (EEC) No 3821/85, ANNEX I B. (See end of Document for details)

```
typeOfTachographCardId EquipmentType,  
cardStructureVersion CardStructureVersion,  
noOfEventsPerType NoOfEventsPerType,  
noOfFaultsPerType NoOfFaultsPerType,  
activityStructureLength CardActivityLengthRange,  
noOfCardVehicleRecords NoOfCardVehicleRecords,  
noOfCardPlaceRecords NoOfCardPlaceRecords,  
noOfCalibrationRecords NoOfCalibrationRecords  
}
```

typeOfTachographCardId is specifying the implemented type of card.

cardStructureVersion is specifying the the version of the structure that is implemented in the card.

noOfEventsPerType is the number of events per type of event the card can record.

noOfFaultsPerType is the number of faults per type of fault the card can record.

activityStructureLength indicates the number of bytes available for storing activity records.

noOfCardVehicleRecords is the number of vehicle records the card can contain.

noOfCardPlaceRecords is the number of places the card can record.

noOfCalibrationRecords is the number of calibration records the card can store.

2.156. WorkshopCardCalibrationData

Information, stored in a workshop card, related to workshop activity performed with the card (requirements 227 and 229).

```
WorkshopCardCalibrationData ::= SEQUENCE {  
calibrationTotalNumber INTEGER(0..216-1),  
calibrationPointerNewestRecord INTEGER(0..NoOfCalibrationRecords-1),  
calibrationRecords SET SIZE(NoOfCalibrationRecords) OF WorkshopCardCalibrationRecord  
}
```

calibrationTotalNumber is the total number of calibrations performed with the card.

calibrationPointerNewestRecord is the index of the last updated calibration record.

Value assignment: Number corresponding to the numerator of the calibration record, beginning with '0' for the first occurrence of the calibration records in the structure.

calibrationRecords is the set of records containing calibration and/or time adjustment information.

2.157. WorkshopCardCalibrationRecord

Status: Point in time view as at 22/02/2016.

Changes to legislation: There are currently no known outstanding effects for the Council Regulation (EEC) No 3821/85, ANNEX I B. (See end of Document for details)

Information, stored in a workshop card, related to a calibration performed with the card (requirement 227).

```

WorkshopCardCalibrationRecord ::= SEQUENCE {
  calibrationPurpose CalibrationPurpose,
  vehicleIdentificationNumber VehicleIdentificationNumber,
  vehicleRegistration VehicleRegistrationIdentification,
  wVehicleCharacteristicConstant W-VehicleCharacteristicConstant,
  kConstantOfRecordingEquipment K-ConstantOfRecordingEquipment,
  lTyreCircumference L-TyreCircumference,
  tyreSize TyreSize,
  authorisedSpeed SpeedAuthorised,
  oldOdometerValue OdometerShort,
  newOdometerValue OdometerShort,
  oldTimeValue TimeReal,
  newTimeValue TimeReal,
  nextCalibrationDate TimeReal,
  vuPartNumber VuPartNumber,
  vuSerialNumber VuSerialNumber,
  sensorSerialNumber SensorSerialNumber
}

```

calibrationPurpose is the purpose of the calibration.

vehicleIdentificationNumber is the VIN.

vehicleRegistration contains the VRN and registering Member State.

wVehicleCharacteristicConstant is the characteristic coefficient of the vehicle.

kConstantOfRecordingEquipment is the constant of the recording equipment.

lTyreCircumference is the effective circumference of the wheel tyres.

tyreSize is the designation of the dimensions of the tyres mounted on the vehicle.

authorisedSpeed is the maximum authorised speed of the vehicle.

oldOdometerValue, **newOdometerValue** are the old and new values of the odometer.

oldTimeValue, **newTimeValue** are the old and new values of date and time.

nextCalibrationDate is the date of the next calibration of the type specified in CalibrationPurpose to be carried out by the authorised inspection authority.

Status: Point in time view as at 22/02/2016.

Changes to legislation: There are currently no known outstanding effects for the Council Regulation (EEC) No 3821/85, ANNEX I B. (See end of Document for details)

vuPartNumber, **vuSerialNumber** and **sensorSerialNumber** are the data elements for recording equipment identification.

2.158. WorkshopCardHolderIdentification

Information, stored in a workshop card, related to the identification of the cardholder (requirement 216).

```
WorkshopCardHolderIdentification ::= SEQUENCE {  
workshopName Name,  
workshopAddress Address,  
cardHolderName HolderName,  
cardHolderPreferredLanguage Language  
}
```

workshopName is name of the workshop of the card holder.

workshopAddress is the address of the workshop of the card holder.

cardHolderName is the name and first name(s) of the holder (e.g. the name of the mechanic).

cardHolderPreferredLanguage is the preferred language of the card holder.

2.159. WorkshopCardPIN

Personal identification number of the Workshop Card (requirement 213).

```
WorkshopCardPIN ::= IA5String(SIZE(8))
```

Value assignment: The PIN known to the cardholder, right padded with 'FF' bytes up to 8 bytes.

3. VALUE AND SIZE RANGE DEFINITIONS

Definition of variable values used for definitions in paragraph 2.

```
TimeRealRange ::= 232-1
```

3.1. Definitions for the Driver Card:

| Name of the variable value | Minimum | Maximum |
|--------------------------------|--|--|
| <i>CardActivityLengthRange</i> | 5 544 bytes (28 days 93 activity changes per day) | 13 776 bytes (28 days 240 activity changes per day) |
| <i>NoOfCardPlaceRecords</i> | 84 | 112 |
| <i>NoOfCardVehicleRecords</i> | 84 | 200 |
| <i>NoOfEventsPerType</i> | 6 | 12 |
| <i>NoOfFaultsPerType</i> | 12 | 24 |

3.2. Definitions for the Workshop Card:

Status: Point in time view as at 22/02/2016.

Changes to legislation: There are currently no known outstanding effects for the Council Regulation (EEC) No 3821/85, ANNEX I B. (See end of Document for details)

| Name of the variable value | Minimum | Maximum |
|--------------------------------|--|---|
| <i>CardActivityLengthRange</i> | 198 bytes (1 day 93 activity changes) | 492 bytes (1 day 240 activity changes) |
| <i>NoOfCardPlaceRecords</i> | 6 | 8 |
| <i>NoOfCardVehicleRecords</i> | 4 | 8 |
| <i>NoOfEventsPerType</i> | 3 | 3 |
| <i>NoOfFaultsPerType</i> | 6 | 6 |
| <i>NoOfCalibrationRecords</i> | 88 | 255 |

3.3. Definitions for the Control Card:

| Name of the variable value | Minimum | Maximum |
|-----------------------------------|---------|---------|
| <i>NoOfControlActivityRecords</i> | 230 | 520 |

3.4. Definitions for the Company Card:

| Name of the variable value | Minimum | Maximum |
|-----------------------------------|---------|---------|
| <i>NoOfCompanyActivityRecords</i> | 230 | 520 |

4. CHARACTER SETS

IA5Strings use the ASCII characters as defined by ISO/IEC 8824-1. For readability and for easy referencing the value assignment is given below. The ISO/IEC 8824-1 supersedes this informative note in case of discrepancy.

!"#\$%&'()*+,-./0123456789:;<=>?

@ABCDEFGHIJKLMN O PQRSTUVWXYZ[\]^_

'abcdefghijklmnopqrstu vwxyz{|}~

| [^{F3} Other character strings (Address, Name, VehicleRegistrationNumber) use, in addition, characters from the decimal character code range 161 – 255 of the following 8-bit, standard character sets, specified by the Code Page number:Standard Character Set | Code Page(Decimal) |
|---|--------------------|
| ISO/IEC 8859-1 Latin-1 Western European | 1 |
| ISO/IEC 8859-2 Latin-2 Central European | 2 |
| ISO/IEC 8859-3 Latin-3 South European | 3 |
| ISO/IEC 8859-5 Latin / Cyrillic | 5 |

Status: Point in time view as at 22/02/2016.

Changes to legislation: There are currently no known outstanding effects for the Council Regulation (EEC) No 3821/85, ANNEX I B. (See end of Document for details)

| | |
|---|-----|
| ISO/IEC 8859-7 Latin / Greek | 7 |
| ISO/IEC 8859-9 Latin-5 Turkish | 9 |
| ISO/IEC 8859-13 Latin-7 Baltic Rim | 13 |
| ISO/IEC 8859-15 Latin-9 | 15 |
| ISO/IEC 8859-16 Latin-10 South Eastern European | 16 |
| KOI8-R Latin / Cyrillic | 80 |
| KOI8-U Latin / Cyrillic | 85] |

5. ENCODING

When encoded with ASN.1 encoding rules, all data types defined shall be encoded according to ISO/IEC 8825-2, aligned variant.

Status: Point in time view as at 22/02/2016.

Changes to legislation: There are currently no known outstanding effects for the Council Regulation (EEC) No 3821/85, ANNEX I B. (See end of Document for details)

Appendix 2

TACHOGRAPH CARDS SPECIFICATION

1. INTRODUCTION

1.1. Abbreviations

For the purpose of this appendix, the following abbreviations apply:

| | |
|---------|--|
| AC | access conditions |
| AID | application identifier |
| ALW | always |
| APDU | application protocol data unit (structure of a command) |
| ATR | answer to reset |
| AUT | authenticated |
| C6, C7 | contacts No 6 and 7 of the card as described in ISO/IEC 7816-2 |
| cc | clock cycles |
| CHV | card holder verification information |
| CLA | class byte of an APDU command |
| DF | dedicated file. A DF can contain other files (EF or DF) |
| EF | elementary file |
| ENC | encrypted: access is possible only by encoding data |
| etu | elementary time unit |
| IC | integrated circuit |
| ICC | integrated circuit card |
| ID | identifier |
| IFD | interface device |
| IFS | information field size |
| IFSC | information field size for the card |
| IFSD | information field size device (for the terminal) |
| INS | instruction byte of an APDU command |
| Lc | length of the input data for a APDU command |
| Le | length of the expected data (output data for a command) |
| MF | master file (root DF) |
| P1-P2 | parameter bytes |
| NAD | node address used in T=1 protocol |
| NEV | never |
| PIN | personal identification number |
| PRO SM | protected with secure messaging |
| PTS | protocol transmission selection |
| RFU | reserved for future use |
| RST | reset (of the card) |
| SM | secure messaging |
| SW1-SW2 | status bytes |
| TS | initial ATR character |
| VPP | programming voltage |
| XXh | value XX in hexadecimal notation |
| | concatenation symbol 03 04=0304. |

1.2. References

The following references are used in this Appendix:

Status: Point in time view as at 22/02/2016.

Changes to legislation: There are currently no known outstanding effects for the Council Regulation (EEC) No 3821/85, ANNEX I B. (See end of Document for details)

| | |
|----------------|--|
| EN 726-3 | Identification cards systems — Telecommunications integrated circuit(s) cards and terminals — Part 3: Application independent card requirements. December 1994. |
| ISO/IEC 7816-2 | Information technology — Identification cards — Integrated circuit(s) cards with contacts — Part 2: Dimensions and location of the contacts. First edition: 1999. |
| ISO/IEC 7816-3 | Information technology — Identification cards — Integrated circuit(s) cards with contacts — Part 3: Electronic signals and transmission protocol. Edition 2: 1997. |
| ISO/IEC 7816-4 | Information technology — Identification cards — Integrated circuit(s) cards with contacts — Part 4: Interindustry commands for interexchange. First edition: 1995 + Amendment 1: 1997. |
| ISO/IEC 7816-6 | Information technology — Identification cards — Integrated circuit(s) cards with contacts — Part 6: Interindustry data elements. First Edition: 1996 + Cor 1: 1998. |
| ISO/IEC 7816-8 | Information technology — Identification cards — Integrated circuit(s) cards with contacts — Part 8: Security related interindustry commands. First Edition: 1999. |
| ISO/IEC 9797 | Information technology — Security techniques — Data integrity mechanism using a cryptographic check function employing a block cipher algorithm. Edition 2: 1994. |

2. ELECTRICAL AND PHYSICAL CHARACTERISTICS

All electronic signals shall be in accordance with ISO/IEC 7816-3 unless specified otherwise.

The location and dimensions of the card contacts shall comply with the ISO/IEC 7816-2.

2.1. Supply voltage and current consumption

The card shall work according to specifications within the consumption limits specified in ISO/IEC 7816-3.

[^{X1}The card shall work with $V_{CC} = 3 \text{ V} (\pm 0,3 \text{ V})$ or with $V_{CC} = 5 \text{ V} (\pm 0,5 \text{ V})$.]

Voltage selection shall be performed according to ISO/IEC 7816-3.

2.2. Programming voltage V_{pp}

Status: Point in time view as at 22/02/2016.

Changes to legislation: There are currently no known outstanding effects for the Council Regulation (EEC) No 3821/85, ANNEX I B. (See end of Document for details)

The card shall not require a programming voltage at pin C6. It is expected that pin C6 is not connected in an IFD. Contact C6 may be connected to V_{cc} in the card but shall not be connected to ground. This voltage should not be interpreted in any case.

2.3. Clock generation and frequency

The card shall operate within a frequency range of 1 to 5 MHz. Within one card session the clock frequency may vary $\pm 2\%$. The clock frequency is generated by the Vehicle Unit and not the card itself. The duty cycle may vary between 40 and 60 %.

Under conditions contained into the card file EF_{ICC} , the external clock can be stopped. The first byte of the EF_{ICC} file body codes the Clockstop mode conditions (see EN 726-3 for further details):

| Low Bit 3 | High Bit 2 | Bit 1 | |
|--------------|---------------|-------|--|
| 0 | 0 | 1 | Clockstop allowed, no preferred level |
| 0 | 1 | 1 | Clockstop allowed, high level preferred |
| 1 | 0 | 1 | Clockstop allowed, low level preferred |
| 0 | 0 | 0 | Clockstop not allowed |
| 0 | 1 | 0 | Clockstop only allowed on high level |
| 1 | 0 | 0 | Clockstop only allowed on low level |

Bits 4 to 8 are not used.

2.4. I/O contact

The I/O contact C7 is used to receive data from and to transmit data to the IFD. During operation only either the card or the IFD shall be in transmit mode. Should both units be in transmit mode no damage shall occur to the card. Unless transmitting, the card shall enter the reception mode.

2.5. States of the card

The card works in two states while the supply voltage is applied:

- operation state while executing commands or interfacing with Digital Unit,
- idle state at all other times; in this state all data shall be retained by the card.

3. HARDWARE AND COMMUNICATION

3.1. Introduction

This paragraph describes the minimum functionality required by Tachograph cards and VUs to ensure correct operation and interoperability.

Tachograph cards are as compliant as possible with the available ISO/IEC applicable norms (especially ISO/IEC 7816). However, commands and protocols are fully described in order to

Status: Point in time view as at 22/02/2016.

Changes to legislation: There are currently no known outstanding effects for the Council Regulation (EEC) No 3821/85, ANNEX I B. (See end of Document for details)

specify some restricted usage or some differences if they exist. The commands specified are fully compliant with the referred norms except where indicated.

3.2. Transmission protocol

The Transmission protocol shall be compliant with ISO/IEC 7816-3. In particular, the VU shall recognise waiting time extensions sent by the card.

3.2.1. Protocols

The card shall provide both protocol T=0 and protocol T=1.

T=0 is the default protocol, a PTS command is therefore necessary to change the protocol to T=1.

Devices shall support direct convention in both protocols: the direct convention is hence mandatory for the card.

The Information Field Size Card byte shall be presented at the ATR in character TA3. This value shall be at least 'F0h' (= 240 bytes).

The following restrictions apply to the protocols:

T=0

- The interface device shall support an answer on I/O after the rising edge of the signal on RST from 400 cc.
- The interface device shall be able to read characters separated with 12 etu.
- The interface device shall read an erroneous character and its repetition if separated with 13 etu. If an erroneous character is detected, the Error signal on I/O can occur between 1 etu and 2 etu. The device shall support a 1 etu delay.
- The interface device shall accept a 33 bytes ATR (TS+32)
- If TC1 is present in the ATR, the Extra Guard Time shall be present for characters sent by the interface device although characters sent by the card can still be separated with 12 etu. This is also true for the ACK character sent by the card after a P3 character emitted by the interface device.
- The interface device shall take into account a NUL character emitted by the card.
- The interface device shall accept the complementary mode for ACK.
- The get-response command cannot be used in chaining mode to get a data which length could exceed 255 bytes.

T=1

- NAD byte: not used (NAD shall be set to '00').
- S-block ABORT: not used.
- S-block VPP state error: not used.
- The total chaining length for a data field will not exceed 255 bytes (to be ensured by the IFD).
- The Information Field Size Device (IFSD) shall be indicated by the IFD immediately after the ATR: the IFD shall transmit the S-Block IFS request after the ATR and the card shall send back S-Block IFS. The recommended value for IFSD is 254 bytes.
- The card will not ask for an IFS readjustment.

3.2.2. ATR

Status: Point in time view as at 22/02/2016.

Changes to legislation: There are currently no known outstanding effects for the Council Regulation (EEC) No 3821/85, ANNEX I B. (See end of Document for details)

The device checks ATR bytes, according to ISO/IEC 7816-3. No verification shall be done on ATR Historical Characters.

EXAMPLE OF BASIC BIPROTOCOL ATR ACCORDING TO ISO/IEC 7816-3

| Character | Value | Remarks |
|-------------|---|--|
| TS | '3Bh' | Indicates direct convention |
| T0 | '85h' | TD1 present; 5 historical bytes are presents |
| TD1 | '80h' | TD2 present; T=0 to be used |
| TD2 | '11h' | TA3 present; T=1 to be used |
| TA3 | 'XXh' ([^{X1} at least] 'F0h') | Information Field Size Card (IFSC) |
| TH1 bis TH5 | 'XXh' | Historical characters |
| TCK | 'XXh' | Check character (exclusive OR) |

After the Answer To Reset (ATR), the Master File (MF) is implicitly selected and becomes the Current Directory.

3.2.3. PTS

The default Protocol is T=0. To set the T=1 protocol, a PTS (also known as PPS) must be sent to the card by the device.

As both T=0 and T=1 protocols are mandatory for the card, the basic PTS for protocol switching is mandatory for the card.

The PTS can be used, as indicated in ISO/IEC 7816-3, to switch to higher baud rates than the default one proposed by the card in the ATR if any (TA(1) byte).

Higher baud rates are optional for the card.

If no other baud rate than the default one are supported (or if the selected baud rate is not supported), the card shall respond to the PTS correctly according to ISO/IEC 7816-3 by omitting the PPS1 byte.

Examples of basic PTS for protocol selection are the following:

| Character | Value | Remarks |
|-----------|----------------|---|
| PPSS | 'FFh' | The initiate character |
| PPS0 | '00h' or '01h' | PPS1 to PPS3 are not present; '00h' to select T0, '01h' to select T1 |
| PK | 'XXh' | Check character: 'XXh' = 'FFh' if PPS0 = '00h' 'XXh' = 'FEh' if PPS0 = '01h' |

3.3. Access conditions (AC)

Status: Point in time view as at 22/02/2016.

Changes to legislation: There are currently no known outstanding effects for the Council Regulation (EEC) No 3821/85, ANNEX I B. (See end of Document for details)

Access Conditions (AC) for the UPDATE_BINARY and READ_BINARY commands are defined for each Elementary File.

The AC of the current file must be met before accessing the file via these commands.

The definitions of the available access conditions are the following:

- ALW: The action is always possible and can be executed without any restriction.
- NEV: The action is never possible.
- AUT: The right corresponding a successful external authentication must be opened up (done by the EXTERNAL_AUTHENTICATE command).
- PRO SM: Command must be transmitted with a cryptographic checksum using secure messaging (See Appendix 11).
- AUT and PRO SM (combined)

On the processing commands (UPDATE_BINARY and READ_BINARY), the following access conditions can be set in the card:

| | UPDATE_BINARY | READ_BINARY |
|----------------|---------------|-------------|
| ALW | Yes | Yes |
| NEV | Yes | Yes |
| AUT | Yes | Yes |
| PRO SM | Yes | No |
| AUT and PRO SM | Yes | No |

The PRO SM access condition is not available for the READ_BINARY command. It means that the presence of a cryptographic checksum for a READ command is never mandatory. However, using the value 'OC' for the class, it is possible to use the READ_BINARY command with secure messaging, as described in paragraph 3.6.2.

3.4. Data encryption

When confidentiality of data to be read from a file needs to be protected, the file is marked as 'Encrypted'. Encryption is performed using secure messaging (See Appendix 11).

3.5. Commands and error codes overview

Commands and file organisation are deduced from and complies with ISO/IEC 7816-4.

This section describes the following APDU command-response pairs:

| Command | INS |
|---------------|-----|
| SELECT FILE | A4 |
| READ BINARY | B0 |
| UPDATE BINARY | D6 |
| GET CHALLENGE | 84 |
| VERIFY | 20 |
| GET RESPONSE | C0 |

Status: Point in time view as at 22/02/2016.

Changes to legislation: There are currently no known outstanding effects for the Council Regulation (EEC) No 3821/85, ANNEX I B. (See end of Document for details)

| | |
|---|----|
| PERFORM SECURITY OPERATION: VERIFY CERTIFICATE COMPUTE DIGITAL SIGNATURE VERIFY DIGITAL SIGNATURE HASH | 2A |
| INTERNAL AUTHENTICATE | 88 |
| EXTERNAL AUTHENTICATE | 82 |
| MANAGE SECURITY ENVIRONMENT: SETTING A KEY | 22 |
| PERFORM HASH OF FILE | 2A |

The status word SW1 SW2 are returned in any response message and denote the processing state of the command.

| SW1 | SW2 | Meaning |
|-----|-----|---|
| 90 | 00 | Normal processing |
| 61 | XX | Normal processing. XX = number of response bytes available |
| 62 | 81 | Warning processing. Part of returned data may be corrupted |
| 63 | CX | Wrong CHV (PIN). Remaining attempts counter provided by 'X' |
| 64 | 00 | Execution error — State of non-volatile memory unchanged. Integrity error |
| 65 | 00 | Execution error — State of non-volatile memory changed |
| 65 | 81 | Execution error — State of non-volatile memory changed — Memory failure |
| 66 | 88 | Securitywrong Cryptographic error checksum (during secure messaging) or wrong certificate (during certificate verification) or wrong cryptogram (during external authentication) or wrong signature (during signature verification) |

Status: Point in time view as at 22/02/2016.

Changes to legislation: There are currently no known outstanding effects for the Council Regulation (EEC) No 3821/85, ANNEX I B. (See end of Document for details)

| | | |
|----|----|---|
| 67 | 00 | Wrong length (wrong Lc or Le) |
| 69 | 00 | Forbidden command (no response available in T=0) |
| 69 | 82 | Security status not satisfied |
| 69 | 83 | Authentication method blocked |
| 69 | 85 | Conditions of use not satisfied |
| 69 | 86 | Command not allowed (no current EF) |
| 69 | 87 | Expected secure messaging data objects missing |
| 69 | 88 | Incorrect secure messaging data objects |
| 6A | 82 | File not found |
| 6A | 86 | Wrong parameters P1-P2 |
| 6A | 88 | Referenced data not found |
| 6B | 00 | Wrong parameters (offset outside the EF) |
| 6C | XX | Wrong length, SW2 indicates the exact length. No data field is returned |
| 6D | 00 | Instruction code not supported or invalid |
| 6E | 00 | Class not supported |
| 6F | 00 | Other checking errors |

3.6. Commands description

The mandatory commands for the Tachograph cards are described in this chapter.

Additional relevant details, related to cryptographic operations involved, are given in Appendix 11 Common security mechanisms.

All commands are described independently of the used protocol (T=0 or T=1). The APDU bytes CLA, INS, P1, P2, Lc and Le are always indicated. If Lc or Le is not needed for the described command, the associated length, value and description are empty.

If both length bytes (Lc and Le) are requested, the described command has to be split in two parts if the IFD is using protocol T=0: the IFD sends the command as described with P3=Lc + data and then sends a GET_RESPONSE (see point 3.6.6) command with P3=Le.

If both length bytes are requested, and Le=0 (secure messaging):

Status: Point in time view as at 22/02/2016.

Changes to legislation: There are currently no known outstanding effects for the Council Regulation (EEC) No 3821/85, ANNEX I B. (See end of Document for details)

- When using protocol T=1, the card shall answer to Le=0 by sending all available output data.
- When using protocol T=0, the IFD shall send the first command with P3=Lc + data, the card shall answer (to this implicit Le=0) by the Status bytes '61La', where La is the number of response bytes available. The IFD shall then generate a GET RESPONSE command with P3=La to read the data.

3.6.1. Select file

This command is compliant with ISO/IEC 7816-4, but has a restricted usage compared to the command defined in the norm.

The SELECT FILE command is used:

- to select an application DF (selection by name must be used)
- to select an elementary file corresponding to the submitted file ID

3.6.1.1. Selection by name (AID)

This command allows to select an application DF in the card.

This command can be performed from anywhere in the file structure (after the ATR or at anytime).

The selection of an application resets the current security environment. After performing the application selection, no current public key is selected anymore and the former session key is no longer available for secure messaging. The AUT access condition is also lost.

COMMAND MESSAGE

| Byte | Length | Value | Description |
|------------|--------|-----------|--|
| CLA | 1 | '00h' | |
| INS | 1 | 'A4h' | |
| P1 | 1 | '04h' | Selection by name (AID) |
| P2 | 1 | '0Ch' | No response expected |
| Lc | 1 | 'NNh' | Number of bytes sent to the card (length of the AID): '06h' for the Tachograph application |
| #6-#(5+NN) | NN | 'XX..XXh' | AID: 'FF 54 41 43 48 4F' for the Tachograph application |

No response to the SELECT FILE command is needed (Le absent in T=1, or no response asked in T=0).

RESPONSE MESSAGE (NO RESPONSE ASKED)

| Byte | Length | Value | Description |
|------|--------|-------|-------------|
|------|--------|-------|-------------|

Status: Point in time view as at 22/02/2016.

Changes to legislation: There are currently no known outstanding effects for the Council Regulation (EEC) No 3821/85, ANNEX I B. (See end of Document for details)

| | | | |
|----|---|---------|-------------------------|
| SW | 2 | 'XXXXh' | Status Words (SW1, SW2) |
|----|---|---------|-------------------------|

- If the command is successful, the card returns '9000',
- if the application corresponding with the AID is not found, the processing state returned is '6A82',
- in T=1, if the byte Le is present, the state returned is '6700',
- in T=0, if a response is asked after the SELECT FILE command, the state returned is '6900',
- if the selected application is considered corrupted (integrity error is detected within the file attributes), the processing state returned is '6400' or '6581'.

3.6.1.2. Selection of an elementary file using its file identifier

COMMAND MESSAGE

| Byte | Length | Value | Description |
|-------|--------|---------|---|
| CLA | 1 | '00h' | |
| INS | 1 | 'A4h' | |
| P1 | 1 | '02h' | Selection of an EF under the current DF |
| P2 | 1 | '0Ch' | No response expected |
| Lc | 1 | '02h' | Number of bytes sent to the card |
| #6-#7 | 2 | 'XXXXh' | File Identifier |

No response to the SELECT FILE command is needed (Le absent in T=1, or no response asked in T=0).

RESPONSE MESSAGE (NO RESPONSE ASKED)

| Byte | Length | Value | Description |
|------|--------|---------|-------------------------|
| SW | 2 | 'XXXXh' | Status Words (SW1, SW2) |

- If the command is successful, the card returns '9000',
- if the file corresponding with the file identifier is not found, the processing state returned is '6A82',
- in T=1, if the byte Le is present, the state returned is '6700',
- in T=0, if a response is asked after the SELECT FILE command, the state returned is '6900',
- if the selected file is considered corrupted (integrity error is detected within the file attributes), the processing state returned is '6400' or '6581'.

3.6.2. Read Binary

This command is compliant with ISO/IEC 7816-4, but has a restricted usage compared to the command defined in the norm.

Status: Point in time view as at 22/02/2016.

Changes to legislation: There are currently no known outstanding effects for the Council Regulation (EEC) No 3821/85, ANNEX I B. (See end of Document for details)

The Read Binary command is used to read data from a transparent file.

The response of the card consists of returning the data read, optionally encapsulated in a secure messaging structure.

The command can be performed only if the security status satisfies the security attributes defined for the EF for the READ function.

3.6.2.1. Command without secure messaging

This command enables the IFD to read data from the EF currently selected, without secure messaging.

Reading data from a file marked as 'Encrypted' shall not be possible through this command.

COMMAND MESSAGE

| Byte | Length | Value | Description |
|------|--------|-------|--|
| CLA | 1 | '00h' | No secure messaging asked |
| INS | 1 | 'B0h' | |
| P1 | 1 | 'XXh' | Offset in bytes from the beginning of the file: most significant byte |
| P2 | 1 | 'XXh' | Offset in bytes from the beginning of the file: least significant byte |
| Le | 1 | 'XXh' | Length of data expected. number of bytes to be read |

Note: bit 8 of P1 must be set to 0.

RESPONSE MESSAGE

| Byte | Length | Value | Description |
|-------|--------|-----------|-------------------------|
| #1-#X | X | 'XX..XXh' | Data read |
| SW | 2 | 'XXXXh' | Status words (SW1, SW2) |

- If the command is successful, the card returns '9000',
- if no EF is selected, the processing state returned is '6986',
- if the Access Control of the selected file are not satisfied, the command is interrupted with '6982',
- if the Offset is not compatible with the size of the EF (Offset > EF size), the processing state returned is '6B00',

Status: Point in time view as at 22/02/2016.

Changes to legislation: There are currently no known outstanding effects for the Council Regulation (EEC) No 3821/85, ANNEX I B. (See end of Document for details)

- if the size of the data to be read is not compatible with the size of the EF (Offset + Le > EF size) the processing state returned is '6700' or '6Cxx', where 'xx' indicates the exact length,
- if an integrity error is detected within the file attributes, the card shall consider the file as corrupted and unrecoverable, the processing state returned is '6400' or '6581',
- if an integrity error is detected within the stored data, the card shall return the demanded data, and the processing state returned is '6281'.

3.6.2.2. Command with secure messaging

This command enables the IDF to read data from the EF currently selected with secure messaging, in order to verify the integrity of the data received and to protect the confidentiality of the data in the case the EF is marked as 'Encrypted'.

COMMAND MESSAGE

| Byte | Length | Value | Description |
|------|--------|-------|---|
| CLA | 1 | '0Ch' | Secure Messaging asked |
| INS | 1 | 'B0h' | INS |
| P1 | 1 | 'XXh' | P1 (offset in bytes from the beginning of the file): Most Significant Byte |
| P2 | 1 | 'XXh' | P2 (offset in bytes from the beginning of the file): Least Significant Byte |
| Lc | 1 | '09h' | Length of input data for secure messaging |
| #6 | 1 | '97h' | T _{LE} : Tag for expected length specification |
| #7 | 1 | '01h' | L _{LE} : Length of expected length |
| #8 | 1 | 'NNh' | Expected length specification (original Le): Number of Bytes to be read |
| #9 | 1 | '8Eh' | T _{CC} : Tag for cryptographic checksum |
| #10 | 1 | '04h' | L _{CC} : Length of following cryptographic checksum |

Status: Point in time view as at 22/02/2016.

Changes to legislation: There are currently no known outstanding effects for the Council Regulation (EEC) No 3821/85, ANNEX I B. (See end of Document for details)

| | | | |
|---------|---|-----------|---|
| #11-#14 | 4 | 'XX..XXh' | Cryptographic checksum (4 most significant bytes) |
| Le | 1 | '00h' | As specified in ISO/IEC 7816-4 |

Response Message if EF is not marked as 'Encrypted' and if Secure Messaging input format is correct:

| Byte | Length | Value | Description |
|---------------------|--------|-------------------|--|
| #1 | 1 | '81h' | T _{PV} : Tag for plain value data |
| #2 | L | 'NNh' or '81 NNh' | L _{PV} : length of returned data (= original Le) L is 2 bytes if L _{PV} > 127 bytes |
| #(2+L)-#(1+L+NN) | NN | 'XX..XXh' | Plain Data value |
| #(2+L+NN) | 1 | '8Eh' | T _{CC} : Tag for cryptographic checksum |
| #(3+L+NN) | 1 | '04h' | L _{CC} : Length of following cryptographic checksum |
| #(4+L+NN)-#(7+L+NN) | 4 | 'XX..XXh' | Cryptographic checksum (4 most significant bytes) |
| SW | 2 | 'XXXXh' | Status Words (SW1, SW2) |

Response Message if EF is marked as 'Encrypted' and if Secure Messaging input format is correct:

| Byte | Length | Value | Description |
|------|--------|-------------------|--|
| #1 | 1 | '87h' | T _{PI CG} : Tag for encrypted data (cryptogram) |
| #2 | L | 'MMh' or '81 MMh' | L _{PI CG} : length of returned encrypted data (different of original Le of the command due to padding) L is 2 byte if L _{PI CG} > 127 bytes |

Status: Point in time view as at 22/02/2016.

Changes to legislation: There are currently no known outstanding effects for the Council Regulation (EEC) No 3821/85, ANNEX I B. (See end of Document for details)

| | | | |
|-------------------------|----|-------------|---|
| #(2+L)-#(1+L+MM) | MM | '01XX..XXh' | Encrypted data: padding indicator and cryptogram |
| #(2+L+MM) | 1 | '8Eh' | T _{CC} : tag for cryptographic checksum |
| #(3+L+MM) | 1 | '04h' | L _{CC} : length of following cryptographic checksum |
| #(4+L+MM)-#(7+L +MM) | 4 | 'XX..XXh' | Cryptographic checksum (4 most significant bytes) |
| SW | 2 | 'XXXXh' | Status words (SW1, SW2) |

The encrypted data returned contain a first byte indicating the used padding mode. For the tachograph application, the padding indicator always takes the value '01h', indicating that the used padding mode is the one specified in ISO/IEC 7816-4 (one byte with value '80h' followed by some null bytes: ISO/IEC 9797 method 2).

The 'regular' processing states, described for the READ BINARY command with no secure messaging (see point 3.6.2.1), can be returned using the response message structures described above, under a '99h' Tag (as described in TCS 335).

Additionally, some errors specifically related to secure messaging can happen. In that case, the processing state is simply returned, with no secure messaging structure involved:

RESPONSE MESSAGE IF INCORRECT SECURE MESSAGING INPUT FORMAT

| Byte | Length | Value | Description |
|------|--------|---------|----------------------------|
| SW | 2 | 'XXXXh' | Status words (SW1, SW2) |

- If no current session key is available, the processing state '6A88' is returned. It happens either if the session key has not already been generated or if the session key validity has expired (in this case the IFD must re-run a mutual authentication process to set a new session key).
- If some expected data objects (as specified above) are missing in the secure messaging format, the processing state '6987' is returned: this error happens if an expected tag is missing or if the command body is not properly constructed.
- If some data objects are incorrect, the processing state returned is '6988': this error happens if all the required tags are present but some lengths are different from the ones expected.
- If the verification of the cryptographic checksum fails, the processing state returned is '6688'.

3.6.3. Update Binary

Status: Point in time view as at 22/02/2016.

Changes to legislation: There are currently no known outstanding effects for the Council Regulation (EEC) No 3821/85, ANNEX I B. (See end of Document for details)

This command is compliant with ISO/IEC 7816-4, but has a restricted usage compared to the command defined in the norm.

The UPDATE BINARY command message initiates the update (erase + write) of the bits already present in an EF binary with the bits given in the command APDU.

The command can be performed only if the security status satisfies the security attributes defined for the EF for the UPDATE function (If the access control of the UPDATE function includes PRO SM, a secure messaging must be added in the command).

3.6.3.1. Command without secure messaging

This command enables the IFD to write data into the EF currently selected, without the card verifying the integrity of data received. This plain mode is allowed only if the related file is not marked as 'Encrypted'.

COMMAND MESSAGE

| Byte | Length | Value | Description |
|------------|--------|-----------|--|
| CLA | 1 | '00h' | No secure messaging asked |
| INS | 1 | 'D6h' | |
| P1 | 1 | 'XXh' | Offset in bytes from the beginning of the file: most significant byte |
| P2 | 1 | 'XXh' | Offset in bytes from the beginning of the file: least significant byte |
| Lc | 1 | 'NNh' | Lc length of data to Update. Number of bytes to be written |
| #6-#(5+NN) | NN | 'XX..XXh' | Data to be written |

Note: bit 8 of P1 must be set to 0.

RESPONSE MESSAGE

| Byte | Length | Value | Description |
|------|--------|---------|-------------------------|
| SW | 2 | 'XXXXh' | Status words (SW1, SW2) |

- If the command is successful, the card returns '9000',
- if no EF is selected, the processing state returned is '6986',
- if the Access Control of the selected file are not satisfied, the command is interrupted with '6982',
- if the Offset is not compatible with the size of the EF (Offset > EF size), the processing state returned is '6B00',

Status: Point in time view as at 22/02/2016.

Changes to legislation: There are currently no known outstanding effects for the Council Regulation (EEC) No 3821/85, ANNEX I B. (See end of Document for details)

- if the size of the data to be written is not compatible with the size of the EF [F^{10} (Offset + Lc > EF size)] the processing state returned is '6700',
- if an integrity error is detected within the file attributes, the card shall consider the file as corrupted and unrecoverable, the processing state returned is '6400' or '6500',
- if writing is unsuccessful, the processing state returned is '6581'.

3.6.3.2. Command with secure messaging

This command enables the IFD to write data into the EF currently selected, with the card verifying the integrity of data received. As no confidentiality is required, the data are not encrypted.

COMMAND MESSAGE

| Byte | Length | Value | Description |
|----------------------|--------|-------------------|---|
| CLA | 1 | '0Ch' | Secure messaging. Asked |
| INS | 1 | 'D6h' | INS |
| P1 | 1 | 'XXh' | Offset in bytes from the beginning of the file: most significant byte |
| P2 | 1 | 'XXh' | Offset in bytes from the beginning of the file: least significant byte |
| Lc | 1 | 'XXh' | Length of the secured data field |
| #6 | 1 | '81h' | T _{PV} : tag for plain value data |
| #7 | L | 'NNh' or '81 NNh' | L _{PV} : length of transmitted data L is 2 bytes if L _{PV} > 127 bytes |
| #(7+L)-#(6+L+NN) | NN | 'XX..XXh' | Plain data value (data to be written) |
| #(7+L+NN) | 1 | '8Eh' | T _{CC} : tag for cryptographic checksum |
| #(8+L+NN) | 1 | '04h' | L _{CC} : Length of following cryptographic checksum |
| #(9+L+NN)-#(12+L+NN) | 4 | 'XX..XXh' | Cryptographic checksum (4 most significant bytes) |

Status: Point in time view as at 22/02/2016.

Changes to legislation: There are currently no known outstanding effects for the Council Regulation (EEC) No 3821/85, ANNEX I B. (See end of Document for details)

| | | | |
|----|---|-------|--------------------------------|
| Le | 1 | '00h' | As specified in ISO/IEC 7816-4 |
|----|---|-------|--------------------------------|

RESPONSE MESSAGE IF CORRECT SECURE MESSAGING INPUT FORMAT

| Byte | Length | Value | Description |
|--------|--------|-----------|--|
| #1 | 1 | '99h' | T _{SW} : tag for status words (to be protected by CC) |
| #2 | 1 | '02h' | L _{SW} : length of returned status words |
| #3-#4 | 2 | 'XXXXh' | Status words (SW1, SW2) |
| #5 | 1 | '8Eh' | T _{CC} : tag for cryptographic checksum |
| #6 | 1 | '04h' | L _{CC} : Length of following cryptographic checksum |
| #7-#10 | 4 | 'XX..XXh' | Cryptographic checksum (4 most significant bytes) |
| SW | 2 | 'XXXXh' | Status words (SW1, SW2) |

The 'regular' processing states, described for the UPDATE BINARY command with no secure messaging (see point 3.6.3.1), can be returned using the response message structure described above.

Additionally, some errors specifically related to secure messaging can happen. In that case, the processing state is simply returned, with no secure messaging structure involved:

RESPONSE MESSAGE IF ERROR IN SECURE MESSAGING

| Byte | Length | Value | Description |
|------|--------|---------|-------------------------|
| SW | 2 | 'XXXXh' | Status Words (SW1, SW2) |

- If no current session key is available, the processing state '6A88' is returned,
- if some expected data objects (as specified above) are missing in the secure messaging format, the processing state '6987' is returned: this error happens if an expected tag is missing or if the command body is not properly constructed,
- if some data objects are incorrect, the processing state returned is '6988': this error happens if all the required tags are present but some lengths are different from the ones expected,

Status: Point in time view as at 22/02/2016.

Changes to legislation: There are currently no known outstanding effects for the Council Regulation (EEC) No 3821/85, ANNEX I B. (See end of Document for details)

- if the verification of the cryptographic checksum fails, the processing state returned is '6688'.

3.6.4. Get challenge

This command is compliant with ISO/IEC 7816-4, but has a restricted usage compared to the command defined in the norm.

The GET CHALLENGE command asks the card to issue a challenge in order to use it in a security related procedure in which a cryptogram or some ciphered data are sent to the card.

The Challenge issued by the card is only valid for the next command, which uses a challenge, sent to the card.

COMMAND MESSAGE

| Byte | Length | Value | Description |
|------|--------|-------|-----------------------------------|
| CLA | 1 | '00h' | CLA |
| INS | 1 | '84h' | INS |
| P1 | 1 | '00h' | P1 |
| P2 | 1 | '00h' | P2 |
| Le | 1 | '08h' | Le (Length of challenge expected) |

RESPONSE MESSAGE

| Byte | Length | Value | Description |
|-------|--------|-----------|-------------------------|
| #1-#8 | 8 | 'XX..XXh' | Challenge |
| SW | 2 | 'XXXXh' | Status words (SW1, SW2) |

- If the command is successful, the card returns '9000',
- if Le is different from '08h', the processing state is '6700',
- if parameters P1-P2 are incorrect, the processing state is '6A86'.

3.6.5. Verify

This command is compliant with ISO/IEC 7816-4, but has a restricted usage compared to the command defined in the norm.

The Verify command initiates the comparison in the card of the CHV (PIN) data sent from the command with the reference CHV stored in the card.

Note: The PIN entered by the user must be right padded with FFh' bytes up to a length of 8 bytes by the IFD.

If the command is successful, the rights corresponding to CHV presentation are opened and the remaining CHV attempt counter is reinitialised.

An unsuccessful comparison is recorded in the card in order to limit the number of further attempts of the use of the reference CHV.

Status: Point in time view as at 22/02/2016.

Changes to legislation: There are currently no known outstanding effects for the Council Regulation (EEC) No 3821/85, ANNEX I B. (See end of Document for details)

COMMAND MESSAGE

| Byte | Length | Value | Description |
|--------|--------|-----------|---|
| CLA | 1 | '00h' | CLA |
| INS | 1 | '20h' | INS |
| P1 | 1 | '00h' | P1 |
| P2 | 1 | '00h' | P2 (the verified CHV is implicitly known) |
| Lc | 1 | '08h' | Length of CHV code transmitted |
| #6-#13 | 8 | 'XX..XXh' | CHV |

RESPONSE MESSAGE

| Byte | Length | Value | Description |
|------|--------|---------|-------------------------|
| SW | 2 | 'XXXXh' | Status words (SW1, SW2) |

- If the command is successful, the card returns '9000',
- if the reference CHV is not found, the processing state returned is '6A88',
- if the CHV is blocked, (the remaining attempt counter of the CHV is null), the processing state returned is '6983'. Once in that state, the CHV can never be successfully presented anymore,
- if the comparison is unsuccessful, the remaining attempt Counter is decreased and the status '63CX' is returned (X > 0, and X equals the remaining CHV attempts counter. X = 'F', the CHV attempts counter is greater than 'F'),
- if the reference CHV is considered corrupted, the processing state returned is '6400' or '6581'.

3.6.6. Get response

This command is compliant with ISO/IEC 7816-4.

This command (only necessary and available for T=0 Protocol) is used to transmit prepared data from the card to the interface device (case where a command had included both Lc and Le).

The GET_RESPONSE command has to be issued immediately after the command preparing the data, otherwise, the data are lost. After the execution of the GET_RESPONSE command (except if the error '61xx' or '6Cxx' occur, see below), the previously prepared data are no longer available.

COMMAND MESSAGE

| Byte | Length | Value | Description |
|------|--------|-------|-------------|
| CLA | 1 | '00h' | |
| INS | 1 | 'C0h' | |
| P1 | 1 | '00h' | |

Status: Point in time view as at 22/02/2016.

Changes to legislation: There are currently no known outstanding effects for the Council Regulation (EEC) No 3821/85, ANNEX I B. (See end of Document for details)

| | | | |
|----|---|-------|--------------------------|
| P2 | 1 | '00h' | |
| Le | 1 | 'XXh' | Number of bytes expected |

RESPONSE MESSAGE

| Byte | Length | Value | Description |
|-------|--------|-----------|-------------------------|
| #1-#X | X | 'XX..XXh' | Data |
| SW | 2 | 'XXXXh' | Status words (SW1, SW2) |

- If the command is successful, the card returns '9000'.
- If no data have been prepared by the card, the processing state returned is '6900' or '6F00'.
- If Le exceeds the number of available bytes or if Le is null, the processing state returned is '6Cxx', where 'xx' denotes the exact number of available bytes. In that case, the prepared data are still available for a subsequent GET_RESPONSE command.
- If Le is not null and is smaller than the number of available bytes, the required data are sent normally by the card, and the processing state returned is '61xx', where 'xx' indicates a number of extra bytes still available by a subsequent GET_RESPONSE command.
- If the command is not supported (protocol T=1), the card returns '6D00'.

3.6.7. PSO: verify certificate

This command is compliant with ISO/IEC 7816-8, but has a restricted usage compared to the command defined in the norm.

The VERIFY CERTIFICATE command is used by the card to obtain a Public Key from the outside and to check its validity.

When a VERIFY CERTIFICATE command is successful, the Public Key is stored for a future use in the Security environment. This key shall be explicitly set for the use in security related commands (INTERNAL AUTHENTICATE, EXTERNAL AUTHENTICATE or VERIFY CERTIFICATE) by the MSE command (see point 3.6.10) using its key identifier.

In any case, the VERIFY CERTIFICATE command uses the public key previously selected by the MSE command to open the certificate. This public key must be the one of a Member State or of Europe.

COMMAND MESSAGE

| Byte | Length | Value | Description |
|------|--------|-------|----------------------------|
| CLA | 1 | '00h' | CLA |
| INS | 1 | '2Ah' | Perform Security Operation |
| P1 | 1 | '00h' | P1 |
| P2 | 1 | 'AEh' | P2: non BER-TLV coded data |

Status: Point in time view as at 22/02/2016.

Changes to legislation: There are currently no known outstanding effects for the Council Regulation (EEC) No 3821/85, ANNEX I B. (See end of Document for details)

| | | | |
|---------|-----|-------------------------|---|
| | | | (concatenation of data elements) |
| Lc | 1 | '[F ¹⁰ C2h]' | Lc: Length of the certificate, 194 bytes |
| #6-#199 | 194 | 'XX..XXh' | Certificate: concatenation of data elements (as described in Appendix 11) |

RESPONSE MESSAGE

| Byte | Length | Value | Description |
|------|--------|---------|-------------------------|
| SW | 2 | 'XXXXh' | Status words (SW1, SW2) |

- If the command is successful, the card returns '9000',
- if the certificate verification fails, the processing state returned is '6688'. The verification and unwrapping process of the certificate is described in Appendix 11,
- if no Public Key is present in the Security Environment, '6A88' is returned,
- if the selected public key (used to unwrap the certificate) is considered corrupted, the processing state returned is '6400' or '6581',
- if the selected public key (used to unwrap the certificate) has a CHA.LSB (*CertificateHolderAuthorisation.equipmentType*) different from '00' (i.e. is not the one of a Member State or of Europe), the processing state returned is '6985'.

3.6.8. Internal authenticate

This command is compliant with ISO/IEC 7816-4.

Using the INTERNAL AUTHENTICATE command, the IFD can authenticate the card.

The authentication process is described in Appendix 11. It includes the following statements:

The INTERNAL AUTHENTICATE command uses the card Private Key (implicitly selected) to sign authentication data including K1 (first element for session key agreement) and RND1, and uses the Public Key currently selected (through the last MSE command) to encrypt the signature and form the authentication token (more details in Appendix 11).

COMMAND MESSAGE

| Byte | Length | Value | Description |
|------|--------|-------|---------------------------------|
| CLA | 1 | '00h' | CLA |
| INS | 1 | '88h' | INS |
| P1 | 1 | '00h' | P1 |
| P2 | 1 | '00h' | P2 |
| Lc | 1 | '10h' | Length of data sent to the card |

Status: Point in time view as at 22/02/2016.

Changes to legislation: There are currently no known outstanding effects for the Council Regulation (EEC) No 3821/85, ANNEX I B. (See end of Document for details)

| | | | |
|---------|---|-----------|---|
| #6-#13 | 8 | 'XX..XXh' | Challenge used to authenticate the card |
| #14-#21 | 8 | 'XX..XXh' | VU.CHR (see Appendix 11) |
| Le | 1 | '80h' | Length of the data expected from the card |

RESPONSE MESSAGE

| Byte | Length | Value | Description |
|---------|--------|-----------|---|
| #1-#128 | 128 | 'XX..XXh' | Card authentication token (see Appendix 11) |
| SW | 2 | 'XXXXh' | Status words (SW1, SW2) |

- If the command is successful, the card returns '9000',
- if no Public Key is present in the Security Environment, the processing state returned is '6A88',
- if no Private Key is present in the Security Environment, the processing state returned is '6A88',
- if VU.CHR does not match the current public key identifier, the processing state returned is '6A88',
- if the selected private key is considered corrupted, the processing state returned is '6400' or '6581'.

If the INTERNAL_AUTHENTICATE command is successful, the current session key, if existing, is erased and no longer available. In order to have a new session key available, the EXTERNAL_AUTHENTICATE command must be successfully performed.

3.6.9. External authenticate

This command is compliant with ISO/IEC 7816-4.

Using the EXTERNAL AUTHENTICATE command, the card can authenticate the IFD.

The authentication process is described in Appendix 11. It includes the following statements:

A GET CHALLENGE command must precede the EXTERNAL_AUTHENTICATE command immediately. The card issues a challenge to the outside (RND3).

The verification of the cryptogram uses RND3 (challenge issued by the card), the card private key (implicitly selected) and the public key previously selected by the MSE command.

The card verifies the cryptogram, and if it is correct, the AUT access condition is opened.

[^{X1}The input cryptogram carries the second element for session key agreement K2.]

COMMAND MESSAGE

| Byte | Length | Value | Description |
|------|--------|-------|-------------|
|------|--------|-------|-------------|

Status: Point in time view as at 22/02/2016.

Changes to legislation: There are currently no known outstanding effects for the Council Regulation (EEC) No 3821/85, ANNEX I B. (See end of Document for details)

| | | | |
|---------|-----|-----------|--|
| CLA | 1 | '00h' | CLA |
| INS | 1 | '82h' | INS |
| P1 | 1 | '00h' | P1 |
| P2 | 1 | '00h' | P2 (the public key to be used is implicitly known, and has been previously set by the MSE command) |
| Lc | 1 | '80h' | Lc (Length of the data sent to the card) |
| #6-#133 | 128 | 'XX..XXh' | Cryptogram (see Appendix 11) |

RESPONSE MESSAGE

| Byte | Length | Value | Description |
|------|--------|---------|--|
| SW | 2 | 'XXXXh' | Status words (status words (SW1, SW2)) |

- If the command is successful, the card returns '9000',
- if no Public Key is present in the Security Environment, '6A88' is returned,
- if the CHA of the currently set public key is not the concatenation of the Tachograph application AID and of a VU equipment Type, the processing state returned is '6F00' (see Appendix 11),
- if no Private Key is present in the Security Environment, the processing state returned is '6A88',
- if the verification of the cryptogram is wrong, the processing state returned is '6688',
- if the command is not immediately preceded with a GET CHALLENGE command, the processing state returned is '6985',
- if the selected private key is considered corrupted, the processing state returned is '6400' or '6581'.

If the EXTERNAL AUTHENTICATE command is successful, and if the first part of the session key is available from a successful INTERNAL AUTHENTICATE recently performed, the session key is set for future commands using secure messaging.

If the first session key part is not available from a previous INTERNAL AUTHENTICATE command, the second part of the session key, sent by the IFD, is not stored in the card. This mechanism ensures that the mutual authentication process is done in the order specified in Appendix 11.

3.6.10. Manage security environment

This command is used to set a public key for authentication purpose.

This command is compliant with ISO/IEC 7816-8. The use of this command is restricted regarding the related standard.

The key referenced in the MSE data field is valid for every file of the Tachograph DF.

Status: Point in time view as at 22/02/2016.

Changes to legislation: There are currently no known outstanding effects for the Council Regulation (EEC) No 3821/85, ANNEX I B. (See end of Document for details)

The key referenced in the MSE data field remains the current public key until the next correct MSE command.

If the key referenced is not (already) present into the card, the security environment remains unchanged.

COMMAND MESSAGE

| Byte | Length | Value | Description |
|--------|--------|-----------|---|
| CLA | 1 | '00h' | CLA |
| INS | 1 | '22h' | INS |
| P1 | 1 | 'C1h' | P1: referenced key valid for all cryptographic operations |
| P2 | 1 | 'B6h' | P2 (referenced data concerning digital signature) |
| Lc | 1 | '0Ah' | Lc: length of subsequent data field |
| #6 | 1 | '83h' | Tag for referencing a public key in asymmetric cases |
| #7 | 1 | '08h' | Length of the key reference (key identifier) |
| #8-#15 | 08h | 'XX..XXh' | Key identifier as specified in Appendix 11 |

RESPONSE MESSAGE

| Byte | Length | Value | Description |
|------|--------|---------|-------------------------|
| SW | 2 | 'XXXXh' | Status words (SW1, SW2) |

- If the command is successful, the card returns '9000',
- if the referenced key is not present into the card, the processing state returned is '6A88',
- if some expected data objects are missing in the secure messaging format, the processing state '6987' is returned. This can happen if the tag '83h' is missing,
- if some data objects are incorrect, the processing state returned is '6988'. This can happen if the length of the key identifier is not '08h',
- if the selected key is considered corrupted, the processing state returned is '6400' or '6581'.

3.6.11. PSO: hash

Status: Point in time view as at 22/02/2016.

Changes to legislation: There are currently no known outstanding effects for the Council Regulation (EEC) No 3821/85, ANNEX I B. (See end of Document for details)

This command is used to transfer to the card the result of a hash calculation on some data. This command is used for the verification of digital signatures. The hash value is stored in EEPROM for the subsequent command verify digital signature.

This command is compliant with ISO/IEC 7816-8. The use of this command is restricted regarding the related standard.

COMMAND MESSAGE

| Byte | Length | Value | Description |
|--------|--------|-----------|---|
| CLA | 1 | '00h' | CLA |
| INS | 1 | '2Ah' | Perform security operation |
| P1 | 1 | '90h' | Return hash code |
| P2 | 1 | 'A0h' | Tag: data field contains DOs relevant for hashing |
| Lc | 1 | '16h' | Length Lc of the subsequent data field |
| #6 | 1 | '90h' | Tag for the hash code |
| #7 | 1 | '14h' | Length of the hash code |
| #8-#27 | 20 | 'XX..XXh' | Hash code |

RESPONSE MESSAGE

| Byte | Length | Value | Description |
|------|--------|---------|-------------------------|
| SW | 2 | 'XXXXh' | Status words (SW1, SW2) |

- If the command is successful, the card returns '9000',
- if some expected data objects (as specified above) are missing, the processing state '6987' is returned. This can happen if one of the tag '90h' is missing,
- if some data objects are incorrect, the processing state returned is '6988'. This error happens if the required tag is present but with a length different from '14h'.

3.6.12. Perform hash of file

This command is not compliant with ISO/IEC 7816-8. Thus the CLA byte of this command indicates that there is a proprietary use of the PERFORM SECURITY OPERATION/HASH.

The perform hash file command is used to hash the data area of the currently selected transparent EF.

The result of the hash operation is stored in the card. It can then be used to get a digital signature of the file, using the PSO-COMPUTE_DIGITAL_SIGNATURE command. This result remains available for the COMPUTE DIGITAL SIGNATURE command until the next successful PERFORM HASH of FILE command.

Status: Point in time view as at 22/02/2016.

Changes to legislation: There are currently no known outstanding effects for the Council Regulation (EEC) No 3821/85, ANNEX I B. (See end of Document for details)

COMMAND MESSAGE

| Byte | Length | Value | Description |
|------|--------|-------|--|
| CLA | 1 | '80h' | CLA |
| INS | 1 | '2Ah' | Perform security operation |
| P1 | 1 | '90h' | Tag: hash |
| P2 | 1 | '00h' | P2: hash the data of the currently selected transparent file |

RESPONSE MESSAGE

| Byte | Length | Value | Description |
|------|--------|---------|-------------------------|
| SW | 2 | 'XXXXh' | Status words (SW1, SW2) |

- If the command is successful, the card returns '9000',
- if no application is selected, the processing state '6985' is returned,
- if the selected EF is considered corrupted (file attributes or stored data integrity errors), the processing state returned is '6400' or '6581',
- if the selected file is not a transparent file, the processing state returned is '6986'.

3.6.13. PSO: compute digital signature

This command is used to compute the digital signature of previously computed hash code (see PERFORM HASH of FILE, point 3.6.12).

This command is compliant with ISO/IEC 7816-8. The use of this command is restricted regarding the related standard.

The card private key is used to compute the digital signature and is implicitly known by the card.

The card performs a digital signature using a padding method compliant with PKCS1 (see Appendix 11 for details).

COMMAND MESSAGE

| Byte | Length | Value | Description |
|------|--------|-------|--|
| CLA | 1 | '00h' | CLA |
| INS | 1 | '2Ah' | Perform security operation |
| P1 | 1 | '9Eh' | Digital signature to be returned |
| P2 | 1 | '9Ah' | Tag: data field contains data to be signed. As no data field is included, the data are supposed to |

Status: Point in time view as at 22/02/2016.

Changes to legislation: There are currently no known outstanding effects for the Council Regulation (EEC) No 3821/85, ANNEX I B. (See end of Document for details)

| | | | |
|----|---|-------|---|
| | | | be already present in the card (hash of file) |
| Le | 1 | '80h' | Length of the expected signature |

RESPONSE MESSAGE

| Byte | Length | Value | Description |
|---------|--------|-----------|---|
| #1-#128 | 128 | 'XX..XXh' | Signature of the previously computed hash |
| SW | 2 | 'XXXXh' | Status words (SW1, SW2) |

- If the command is successful, the card returns '9000',
- if the implicitly selected private key is considered as corrupted, the processing state returned is '6400' or '6581'.

3.6.14. PSO: verify digital signature

This command is used to verify the digital signature, provided as an input, in accordance with PKCS1 of a message, whose hash is known to the card. The signature algorithm is implicitly known by the card.

This command is compliant with ISO/IEC 7816-8. The use of this command is restricted regarding the related standard.

The Verify Digital Signature command always uses the public key selected by the previous Manage Security Environment command, and the previous hash code entered by a PSO: hash command.

COMMAND MESSAGE

| Byte | Length | Value | Description |
|---------|--------|---------|--|
| CLA | 1 | '00h' | CLA |
| INS | 1 | '2Ah' | Perform security operation |
| P1 | 1 | '00h' | |
| P2 | 1 | 'A8h' | Tag: data field contains DOs relevant for verification |
| Lc | 1 | '83h' | Length Lc of the subsequent data field |
| #28 | 1 | '9Eh' | Tag for digital signature |
| #29-#30 | 2 | '8180h' | Length of digital signature (128 bytes, |

Status: Point in time view as at 22/02/2016.

Changes to legislation: There are currently no known outstanding effects for the Council Regulation (EEC) No 3821/85, ANNEX I B. (See end of Document for details)

| | | | |
|----------|-----|-----------|--|
| | | | coded in accordance with ISO/IEC 7816-6) |
| #31-#158 | 128 | 'XX..XXh' | Digital signature content |

RESPONSE MESSAGE

| Byte | Length | Value | Description |
|------|--------|---------|-------------------------|
| SW | 2 | 'XXXXh' | Status words (SW1, SW2) |

- If the command is successful, the card returns '9000',
- if the verification of the signature fails, the processing state returned is '6688'. The verification process is described in Appendix 11,
- if no public key is selected, the processing state returned is '6A88',
- if some expected data objects (as specified above) are missing, the processing state '6987' is returned. This can happen if one of the required tag is missing,
- if no hash code is available to process the command (as a result of a previous PSO: hash command), the processing state returned is '6985',
- if some data objects are incorrect, the processing state returned is '6988'. This can happen if one of the required data objects length is incorrect,
- if the selected public key is considered corrupted, the processing state returned is '6400' or '6581'.

4. TACHOGRAPH CARDS STRUCTURE

This paragraph specifies the file structures of the Tachograph cards for storage of accessible data,

It does not specify card manufacturer dependant internal structures, such as e.g. file headers, nor storage and handling of data elements needed for internal use only such as *EuropeanPublicKey*, *CardPrivateKey*, *TDesSessionKey* or *WorkshopCardPin*.

The useful storage capacity of Tachograph cards shall be of 11 Kbytes minimum. Greater capacities may be used. In such case, the structure of the card remains the same, but the number of records of some elements of the structure is increased. This paragraph specifies minimum and maximum values of these record numbers.

4.1. Driver card structure

After its personalisation, the driver card shall have the following permanent file structure and file access conditions:

Status: Point in time view as at 22/02/2016.

Changes to legislation: There are currently no known outstanding effects for the Council Regulation (EEC) No 3821/85, ANNEX I B. (See end of Document for details)

| File | File ID | Access conditions | | |
|-------------------------------|---------|-------------------|--------------|-----------|
| | | Read | Update | Encrypted |
| MF | 3F00 | | | |
| EF ICC | 0002 | ALW | NEV | No |
| EF IC | 0005 | ALW | NEV | No |
| DF Tachograph | 0500 | | | |
| EF Application_Identification | 0501 | ALW | NEV | No |
| EF Card_Certificate | C100 | ALW | NEV | No |
| EF CA_Certificate | C108 | ALW | NEV | No |
| EF Identification | 0520 | ALW | NEV | No |
| EF Card_Download | 050E | ALW | ALW | No |
| EF Driving_Licence_Info | 0521 | ALW | NEV | No |
| EF Events_Data | 0502 | ALW | PRO SM / AUT | No |
| EF Faults_Data | 0503 | ALW | PRO SM / AUT | No |
| EF Driver_Activity_Data | 0504 | ALW | PRO SM / AUT | No |
| EF Vehicles_Used | 0505 | ALW | PRO SM / AUT | No |
| EF Places | 0506 | ALW | PRO SM / AUT | No |
| EF Current_Usage | 0507 | ALW | PRO SM / AUT | No |
| EF Control_Activity_Data | 0508 | ALW | PRO SM / AUT | No |
| EF Specific_Conditions | 0522 | ALW | PRO SM / AUT | No |

All EFs structures shall be transparent.

Read with secure messaging shall be possible for all files under the DF Tachograph.

The driver card shall have the following data structure:

Status: Point in time view as at 22/02/2016.

Changes to legislation: There are currently no known outstanding effects for the Council Regulation (EEC) No 3821/85, ANNEX I B. (See end of Document for details)

| File/Data element | No of Records | Size (bytes) | | Default Values |
|-------------------------------------|---------------|--------------|-------|----------------|
| | | Min | Max | |
| MF | | 11411 | 24959 | |
| EF ICC | 25 | 25 | | |
| CardIccIdentification | 25 | 25 | | |
| clockStop | 1 | 1 | | {00} |
| cardExtendedSerialNumber | 8 | 8 | | {00..00} |
| cardApprovalNumber | 8 | 8 | | {20..20} |
| cardPersonaliserID | 1 | 1 | | {00} |
| embedderICAssemblerId | 5 | 5 | | {00..00} |
| icIdentifier | 2 | 2 | | {00 00} |
| EF IC | 8 | 8 | | |
| CardChipIdentification | 8 | 8 | | |
| icSerialNumber | 4 | 4 | | {00..00} |
| icManufacturingReferences | 4 | 4 | | {00..00} |
| DF Tachograph | 11378 | 24926 | | |
| EF Application_Identification | 10 | 10 | | |
| DriverCardApplicationIdentification | 10 | 10 | | |
| typeOfTachographCardId | 1 | 1 | | {00} |
| cardStructureVersion | 2 | 2 | | {00 00} |
| noOfEventsPerType | 1 | 1 | | {00} |
| noOfFaultsPerType | 1 | 1 | | {00} |
| activityStructureLength | 2 | 2 | | {00 00} |
| noOfCardVehicleRecords | 2 | 2 | | {00 00} |
| noOfCardPlaceRecords | 1 | 1 | | {00} |
| EF Card_Certificate | 194 | 194 | | |
| CardCertificate | 194 | 194 | | {00..00} |
| EF CA_Certificate | 194 | 194 | | |
| MemberStateCertificate | 194 | 194 | | {00..00} |
| EF Identification | 143 | 143 | | |
| CardIdentification | 65 | 65 | | |
| cardIssuingMemberState | 1 | 1 | | {00} |
| cardNumber | 16 | 16 | | {20..20} |
| cardIssuingAuthorityName | 36 | 36 | | {20..20} |
| cardIssueDate | 4 | 4 | | {00..00} |
| cardValidityBegin | 4 | 4 | | {00..00} |
| cardExpiryDate | 4 | 4 | | {00..00} |
| DriverCardHolderIdentification | 78 | 78 | | |
| cardHolderName | 72 | 72 | | |
| holderSurname | 36 | 36 | | {00, 20..20} |
| holderFirstNames | 36 | 36 | | {00, 20..20} |
| cardHolderBirthDate | 4 | 4 | | {00..00} |
| cardHolderPreferredLanguage | 2 | 2 | | {20 20} |

Status: Point in time view as at 22/02/2016.

Changes to legislation: There are currently no known outstanding effects for the Council Regulation (EEC) No 3821/85, ANNEX I B. (See end of Document for details)

| | | | | |
|--------------------------------|----------------|------|-------|--------------|
| EF Card_Download | | 4 | 4 | |
| LastCardDownload | | 4 | 4 | |
| EF Driving_Licence_Info | | 53 | 53 | |
| CardDrivingLicenceInformation | | 53 | 53 | |
| drivingLicenceIssuingAuthority | | 36 | 36 | {00, 20..20} |
| drivingLicenceIssuingNation | | 1 | 1 | {00} |
| drivingLicenceNumber | | 16 | 16 | {20..20} |
| EF Events_Data | | 864 | 1728 | |
| CardEventData | | 864 | 1728 | |
| cardEventRecords | 6 | 144 | 288 | |
| CardEventRecord | n ₁ | 24 | 24 | |
| eventType | | 1 | 1 | {00} |
| eventBeginTime | | 4 | 4 | {00..00} |
| eventEndTime | | 4 | 4 | {00..00} |
| eventVehicleRegistration | | | | |
| vehicleRegistrationNation | | 1 | 1 | {00} |
| vehicleRegistrationNumber | | 14 | 14 | {00, 20..20} |
| EF Faults_Data | | 576 | 1152 | |
| CardFaultData | | 576 | 1152 | |
| cardFaultRecords | 2 | 288 | 576 | |
| CardFaultRecord | n ₂ | 24 | 24 | |
| faultType | | 1 | 1 | {00} |
| faultBeginTime | | 4 | 4 | {00..00} |
| faultEndTime | | 4 | 4 | {00..00} |
| faultVehicleRegistration | | | | |
| vehicleRegistrationNation | | 1 | 1 | {00} |
| vehicleRegistrationNumber | | 14 | 14 | {00, 20..20} |
| EF Driver_Activity_Data | | 5548 | 13780 | |
| CardDriverActivity | | 5548 | 13780 | |
| activityPointerOldestDayRecord | | 2 | 2 | {00 00} |
| activityPointerNewestRecord | | 2 | 2 | {00 00} |
| activityDailyRecords | n ₆ | 5544 | 13776 | {00..00} |
| EF Vehicles_Used | | 2606 | 6202 | |
| CardVehiclesUsed | | 2606 | 6202 | |
| vehiclePointerNewestRecord | | 2 | 2 | {00 00} |
| cardVehicleRecords | | 2604 | 6200 | |
| CardVehicleRecord | n ₃ | 31 | 31 | |
| vehicleOdometerBegin | | 3 | 3 | {00..00} |
| vehicleOdometerEnd | | 3 | 3 | {00..00} |
| vehicleFirstUse | | 4 | 4 | {00..00} |
| vehicleLastUse | | 4 | 4 | {00..00} |
| vehicleRegistration | | | | |
| vehicleRegistrationNation | | 1 | 1 | {00} |
| vehicleRegistrationNumber | | 14 | 14 | {00, 20..20} |
| vuDataBlockCounter | | 2 | 2 | {00 00} |
| EF Places | | 841 | 1121 | |
| CardPlaceDailyWorkPeriod | | 841 | 1121 | |
| placePointerNewestRecord | | 1 | 1 | {00} |
| placeRecords | | 840 | 1120 | |
| PlaceRecord | n ₄ | 10 | 10 | |
| entryTime | | 4 | 4 | {00..00} |
| entryTypeDailyWorkPeriod | | 1 | 1 | {00} |
| dailyWorkPeriodCountry | | 1 | 1 | {00} |
| dailyWorkPeriodRegion | | 1 | 1 | {00} |
| vehicleOdometerValue | | 3 | 3 | {00..00} |
| EF Current_Usage | | 19 | 19 | |
| CardCurrentUse | | 19 | 19 | |
| sessionOpenTime | | 4 | 4 | {00..00} |
| sessionOpenVehicle | | | | |
| vehicleRegistrationNation | | 1 | 1 | {00} |
| vehicleRegistrationNumber | | 14 | 14 | {00, 20..20} |
| EF Control_Activity_Data | | 46 | 46 | |
| CardControlActivityDataRecord | | 46 | 46 | |
| controlType | | 1 | 1 | {00} |
| controlTime | | 4 | 4 | {00..00} |
| controlCardNumber | | | | |
| cardType | | 1 | 1 | {00} |
| cardIssuingMemberState | | 1 | 1 | {00} |
| cardNumber | | 16 | 16 | {20..20} |
| controlVehicleRegistration | | | | |
| vehicleRegistrationNation | | 1 | 1 | {00} |
| vehicleRegistrationNumber | | 14 | 14 | {00, 20..20} |
| controlDownloadPeriodBegin | | 4 | 4 | {00..00} |
| controlDownloadPeriodEnd | | 4 | 4 | {00..00} |
| EF Specific_Conditions | | 280 | 280 | |
| SpecificConditionRecord | 56 | 5 | 5 | |
| entryTime | | 4 | 4 | {00..00} |
| SpecificConditionType | | 1 | 1 | {00} |

Status: Point in time view as at 22/02/2016.

Changes to legislation: There are currently no known outstanding effects for the Council Regulation (EEC) No 3821/85, ANNEX I B. (See end of Document for details)

The following values, used to provide sizes in the table above, are the minimum and maximum record number values the driver card data structure must use:

| | | Min | Max |
|----------------|-------------------------|---|---|
| n ₁ | NoOfEventsPerType | 6 | 12 |
| n ₂ | NoOfFaultsPerType | 12 | 24 |
| n ₃ | NoOfCardVehicleRecords | 84 | 200 |
| n ₄ | NoOfCardPlaceRecords | 84 | 112 |
| n ₆ | CardActivityLengthRange | 5 544 bytes (28 days * 93 activity changes) | 13 776 bytes (28 days * 240 activity changes) |

4.2. Workshop card structure

After its personalisation, the workshop card shall have the following permanent file structure and file access conditions:

| File | File ID | Access conditions | | |
|-------------------------------|---------|-------------------|--------------|-----------|
| | | Read | Update | Encrypted |
| MF | 3F00 | | | |
| EF ICC | 0002 | ALW | NEV | No |
| EF IC | 0005 | ALW | NEV | No |
| DF Tachograph | 0500 | | | |
| EF Application_Identification | 0501 | ALW | NEV | No |
| EF Card_Certificate | C100 | ALW | NEV | No |
| EF CA_Certificate | C108 | ALW | NEV | No |
| EF Identification | 0520 | ALW | NEV | No |
| EF Card_Download | 0509 | ALW | ALW | No |
| EF Calibration | 050A | ALW | PRO SM / AUT | No |
| EF Sensor_Installation_Data | 050B | ALW | NEV | Yes |
| EF Events_Data | 0502 | ALW | PRO SM / AUT | No |
| EF Faults_Data | 0503 | ALW | PRO SM / AUT | No |
| EF Driver_Activity_Data | 0504 | ALW | PRO SM / AUT | No |
| EF Vehicles_Used | 0505 | ALW | PRO SM / AUT | No |
| EF Places | 0506 | ALW | PRO SM / AUT | No |
| EF Current_Usage | 0507 | ALW | PRO SM / AUT | No |
| EF Control_Activity_Data | 0508 | ALW | PRO SM / AUT | No |
| EF Specific_Conditions | 0522 | ALW | PRO SM / AUT | No |

All EFs structures shall be transparent.

Read with secure messaging shall be possible for all files under the DF Tachograph.

The workshop card shall have the following data structure:

Status: Point in time view as at 22/02/2016.

Changes to legislation: There are currently no known outstanding effects for the Council Regulation (EEC) No 3821/85, ANNEX I B. (See end of Document for details)

| File/Data element | No of Records | Size (Bytes) | | Default Values |
|---------------------------------------|---------------|--------------|-------|----------------|
| | | Min | Max | |
| MF | | 11088 | 29061 | |
| EF ICC | 25 | 25 | | |
| CardIccIdentification | 25 | 25 | | |
| clockStop | 1 | 1 | | {00} |
| cardExtendedSerialNumber | 8 | 8 | | {00..00} |
| cardApprovalNumber | 8 | 8 | | {20..20} |
| cardPersonaliserID | 1 | 1 | | {00} |
| embedderIcAssemblerId | 5 | 5 | | {00..00} |
| icIdentifier | 2 | 2 | | {00 00} |
| EF IC | 8 | 8 | | |
| CardChipIdentification | 8 | 8 | | |
| icSerialNumber | 4 | 4 | | {00..00} |
| icManufacturingReferences | 4 | 4 | | {00..00} |
| DF Tachograph | 11055 | 29028 | | |
| EF Application_Identification | 11 | 11 | | |
| WorkshopCardApplicationIdentification | 11 | 11 | | |
| typeOfTachographCardId | 1 | 1 | | {00} |
| cardStructureVersion | 2 | 2 | | {00 00} |
| noOfEventsPerType | 1 | 1 | | {00} |
| noOfFaultsPerType | 1 | 1 | | {00} |
| activityStructureLength | 2 | 2 | | {00 00} |
| noOfCardVehicleRecords | 2 | 2 | | {00 00} |
| noOfCardPlaceRecords | 1 | 1 | | {00} |
| noOfCalibrationRecords | 1 | 1 | | {00} |

Status: Point in time view as at 22/02/2016.

Changes to legislation: There are currently no known outstanding effects for the Council Regulation (EEC) No 3821/85, ANNEX I B. (See end of Document for details)

| | | | |
|----------------------------------|----------------|-------|--------------|
| EF Card_Certificate | 194 | 194 | |
| CardCertificate | 194 | 194 | {00..00} |
| EF CA_Certificate | 194 | 194 | |
| MemberStateCertificate | 194 | 194 | {00..00} |
| EF Identification | 211 | 211 | |
| CardIdentification | 65 | 65 | |
| cardIssuingMemberState | 1 | 1 | {00} |
| cardNumber | 16 | 16 | {20..20} |
| cardIssuingAuthorityName | 36 | 36 | {00, 20..20} |
| cardIssueDate | 4 | 4 | {00..00} |
| cardValidityBegin | 4 | 4 | {00..00} |
| cardExpiryDate | 4 | 4 | {00..00} |
| WorkshopCardHolderIdentification | 146 | 146 | |
| workshopName | 36 | 36 | {00, 20..20} |
| workshopAddress | 36 | 36 | {00, 20..20} |
| cardHolderName | | | |
| holderSurname | 36 | 36 | {00, 20..20} |
| holderFirstNames | 36 | 36 | {00, 20..20} |
| cardHolderPreferredLanguage | 2 | 2 | {20 20} |
| EF Card_Download | 2 | 2 | |
| NoOfCalibrationsSinceDownload | 2 | 2 | {00 00} |
| EF Calibration | 9243 | 26778 | |
| WorkshopCardCalibrationData | 9243 | 26778 | |
| calibrationTotalNumber | 2 | 2 | {00 00} |
| calibrationPointerNewestRecord | 1 | 1 | {00} |
| calibrationRecords | 9240 | 26775 | |
| WorkshopCardCalibrationRecord | n ₅ | 105 | 105 |
| calibrationPurpose | 1 | 1 | {00} |
| vehicleIdentificationNumber | 17 | 17 | {20..20} |
| vehicleRegistration | | | |
| vehicleRegistrationNation | 1 | 1 | {00} |
| vehicleRegistrationNumber | 14 | 14 | {00, 20..20} |
| wVehicleCharacteristicConstant | 2 | 2 | {00 00} |
| kConstantOfRecordingEquipment | 2 | 2 | {00 00} |
| lTyreCircumference | 2 | 2 | {00 00} |
| tyreSize | 15 | 15 | {20..20} |
| authorisedSpeed | 1 | 1 | {00} |
| oldOdometerValue | 3 | 3 | {00..00} |
| newOdometerValue | 3 | 3 | {00..00} |
| oldTimeValue | 4 | 4 | {00..00} |
| newTimeValue | 4 | 4 | {00..00} |
| nextCalibrationDate | 4 | 4 | {00..00} |
| vuPartNumber | 16 | 16 | {20..20} |
| vuSerialNumber | 8 | 8 | {00..00} |
| sensorSerialNumber | 8 | 8 | {00..00} |
| EF Sensor_Installation_Data | 16 | 16 | |
| SensorInstallationSecData | 16 | 16 | {00..00} |
| EF Events_Data | 432 | 432 | |
| CardEventData | 432 | 432 | |
| cardEventRecords | 6 | 72 | 72 |
| CardEventRecord | n ₁ | 24 | 24 |
| eventType | 1 | 1 | {00} |
| eventBeginTime | 4 | 4 | {00..00} |
| eventEndTime | 4 | 4 | {00..00} |
| eventVehicleRegistration | | | |
| vehicleRegistrationNation | 1 | 1 | {00} |
| vehicleRegistrationNumber | 14 | 14 | {00, 20..20} |
| EF Faults_Data | 288 | 288 | |
| CardFaultData | 288 | 288 | |
| cardFaultRecords | 2 | 144 | 144 |
| CardFaultRecord | n ₂ | 24 | 24 |
| faultType | 1 | 1 | {00} |
| faultBeginTime | 4 | 4 | {00..00} |
| faultEndTime | 4 | 4 | {00..00} |
| faultVehicleRegistration | | | |
| vehicleRegistrationNation | 1 | 1 | {00} |
| vehicleRegistrationNumber | 14 | 14 | {00, 20..20} |
| EF Driver_Activity_Data | 202 | 496 | |
| CardDriverActivity | 202 | 496 | |
| activityPointerOldestDayRecord | 2 | 2 | {00 00} |
| activityPointerNewestRecord | 2 | 2 | {00 00} |
| activityDailyRecords | n ₆ | 198 | 492 |
| EF Vehicles_Used | 126 | 250 | |
| CardVehiclesUsed | 126 | 250 | |
| vehiclePointerNewestRecord | 2 | 2 | {00 00} |
| cardVehicleRecords | 124 | 248 | |
| CardVehicleRecord | n ₃ | 31 | 31 |
| vehicleOdometerBegin | 3 | 3 | {00..00} |

Status: Point in time view as at 22/02/2016.

Changes to legislation: There are currently no known outstanding effects for the Council Regulation (EEC) No 3821/85, ANNEX I B. (See end of Document for details)

| | | | | |
|---------------------------------|----------------|-----------|-----------|--------------|
| vehicleOdometerEnd | | 3 | 3 | {00..00} |
| vehicleFirstUse | | 4 | 4 | {00..00} |
| vehicleLastUse | | 4 | 4 | {00..00} |
| vehicleRegistration | | | | |
| vehicleRegistrationNation | | 1 | 1 | {00} |
| vehicleRegistrationNumber | | 14 | 14 | {00, 20..20} |
| vuDataBlockCounter | | 2 | 2 | {00 00} |
| EF Places | | 61 | 81 | |
| CardPlaceDailyWorkPeriod | | 61 | 81 | |
| placePointerNewestRecord | | 1 | 1 | {00} |
| placeRecords | | 60 | 80 | |
| PlaceRecord | n ₄ | 10 | 10 | |
| entryTime | | 4 | 4 | {00..00} |
| entryTypeDailyWorkPeriod | | 1 | 1 | {00} |
| dailyWorkPeriodCountry | | 1 | 1 | {00} |
| dailyWorkPeriodRegion | | 1 | 1 | {00} |
| vehicleOdometerValue | | 3 | 3 | {00..00} |
| EF Current_Usage | | 19 | 19 | |
| CardCurrentUse | | 19 | 19 | |
| sessionOpenTime | | 4 | 4 | {00..00} |
| sessionOpenVehicle | | | | |
| vehicleRegistrationNation | | 1 | 1 | {00} |
| vehicleRegistrationNumber | | 14 | 14 | {00, 20..20} |
| EF Control_Activity_Data | | 46 | 46 | |
| CardControlActivityDataRecord | | 46 | 46 | |
| controlType | | 1 | 1 | {00} |
| controlTime | | 4 | 4 | {00..00} |
| controlCardNumber | | | | |
| cardType | | 1 | 1 | {00} |
| cardIssuingMemberState | | 1 | 1 | {00} |
| cardNumber | | 16 | 16 | {20..20} |
| controlVehicleRegistration | | | | |
| vehicleRegistrationNation | | 1 | 1 | {00} |
| vehicleRegistrationNumber | | 14 | 14 | {00, 20..20} |
| controlDownloadPeriodBegin | | 4 | 4 | {00..00} |
| controlDownloadPeriodEnd | | 4 | 4 | {00..00} |
| EF Specific_Conditions | | 10 | 10 | |
| SpecificConditionRecord | 2 | 5 | 5 | |
| entryTime | | 4 | 4 | {00..00} |
| SpecificConditionType | | 1 | 1 | {00} |

[^{X1}The following values, used to provide sizes in the table above, are the minimum and maximum record number values the workshop card data structure must use:

| | | Min | Max |
|----------------|-------------------------|--|---|
| n ₁ | NoOfEventsPerType | 3 | 3 |
| n ₂ | NoOfFaultsPerType | 6 | 6 |
| n ₃ | NoOfCardVehicleRecords | 4 | 8 |
| n ₄ | NoOfCardPlaceRecords | 6 | 8 |
| n ₅ | NoOfCalibrationRecords | 88 | 255 |
| n ₆ | CardActivityLengthRange | 198 bytes (1 day * 93 activity changes) | 492 bytes (1 day * 240 activity changes) |

4.3. Control card structure

After its personalisation, the control card shall have the following permanent file structure and file access conditions:

Status: Point in time view as at 22/02/2016.

Changes to legislation: There are currently no known outstanding effects for the Council Regulation (EEC) No 3821/85, ANNEX I B. (See end of Document for details)

| File | File ID | Access conditions | | |
|-------------------------------|---------|-------------------|--------------|-----------|
| | | Read | Update | Encrypted |
| MF | 3F00 | | | |
| EF ICC | 0002 | ALW | NEV | No |
| EF IC | 0005 | ALW | NEV | No |
| DF Tachograph | 0500 | | | |
| EF Application_Identification | 0501 | ALW | NEV | No |
| EF Card_Certificate | C100 | ALW | NEV | No |
| EF CA_Certificate | C108 | ALW | NEV | No |
| EF Identification | 0520 | AUT | NEV | No |
| EF Controller_Activity_Data | 050C | ALW | PRO SM / AUT | No |

All EFs structures shall be transparent.

Read with secure messaging shall be possible for files under the DF Tachograph.

The control card shall have the following data structure:

Status: Point in time view as at 22/02/2016.

Changes to legislation: There are currently no known outstanding effects for the Council Regulation (EEC) No 3821/85, ANNEX I B. (See end of Document for details)

| Archivo/Elemento de datos | No of Records | Size (Bytes) | | Default Values |
|--------------------------------------|----------------|--------------|--------------|----------------|
| | | Min | Max | |
| MF | | 11219 | 24559 | |
| EF ICC | 25 | 25 | | |
| CardIccIdentification | 25 | 25 | | |
| clockStop | 1 | 1 | | {00} |
| cardExtendedSerialNumber | 8 | 8 | | {00..00} |
| cardApprovalNumber | 8 | 8 | | {20..20} |
| cardPersonaliserID | 1 | 1 | | {00} |
| embedderIcAssemblerId | 5 | 5 | | {00..00} |
| icIdentifier | 2 | 2 | | {00 00} |
| EF IC | 8 | 8 | | |
| CardChipIdentification | 8 | 8 | | |
| icSerialNumber | 4 | 4 | | {00..00} |
| icManufacturingReferences | 4 | 4 | | {00..00} |
| DF Tachograph | 11186 | 24526 | | |
| EF Application_Identification | 5 | 5 | | |
| ControlCardApplicationIdentification | 5 | 5 | | |
| typeOfTachographCardId | 1 | 1 | | {00} |
| cardStructureVersion | 2 | 2 | | {00 00} |
| noOfControlActivityRecords | 2 | 2 | | {00 00} |
| EF Card_Certificate | 194 | 194 | | |
| CardCertificate | 194 | 194 | | {00..00} |
| EF CA_Certificate | 194 | 194 | | |
| MemberStateCertificate | 194 | 194 | | {00..00} |
| EF Identification | 211 | 211 | | |
| CardIdentification | 65 | 65 | | |
| cardIssuingMemberState | 1 | 1 | | {00} |
| cardNumber | 16 | 16 | | {20..20} |
| cardIssuingAuthorityName | 36 | 36 | | {00, 20..20} |
| cardIssueDate | 4 | 4 | | {00..00} |
| cardValidityBegin | 4 | 4 | | {00..00} |
| cardExpiryDate | 4 | 4 | | {00..00} |
| ControlCardHolderIdentification | 146 | 146 | | |
| controlBodyName | 36 | 36 | | {00, 20..20} |
| controlBodyAddress | 36 | 36 | | {00, 20..20} |
| cardHolderName | | | | |
| holderSurname | 36 | 36 | | {00, 20..20} |
| holderFirstNames | 36 | 36 | | {00, 20..20} |
| cardHolderPreferredLanguage | 2 | 2 | | {20 20} |
| EF Controller_Activity_Data | 10582 | 23922 | | |
| ControlCardControlActivityData | 10582 | 23922 | | |
| controlPointerNewestRecord | 2 | 2 | | {00 00} |
| controlActivityRecords | 10580 | 23920 | | |
| controlActivityRecord | n ₇ | 46 | 46 | |
| controlType | 1 | 1 | | {00} |
| controlTime | 4 | 4 | | {00..00} |
| controlledCardNumber | | | | |
| cardType | 1 | 1 | | {00} |
| cardIssuingMemberState | 1 | 1 | | {00} |
| cardNumber | 16 | 16 | | {20..20} |
| controlledVehicleRegistration | | | | |
| vehicleRegistrationNation | 1 | 1 | | {00} |
| vehicleRegistrationNumber | 14 | 14 | | {00, 20..20} |
| controlDownloadPeriodBegin | 4 | 4 | | {00..00} |
| controlDownloadPeriodEnd | 4 | 4 | | {00..00} |

The following values, used to provide sizes in the table above, are the minimum and maximum record number values the control card data structure must use:

| | | Min | Max |
|----------------|----------------------------|-----|-----|
| n ₇ | NoOfControlActivityRecords | 200 | 520 |

4.4. Company card structure

Status: Point in time view as at 22/02/2016.

Changes to legislation: There are currently no known outstanding effects for the Council Regulation (EEC) No 3821/85, ANNEX I B. (See end of Document for details)

After its personalisation, the company card shall have the following permanent file structure and file access conditions:

| File | File ID | Access conditions | | |
|-------------------------------|---------|-------------------|--------------|-----------|
| | | Read | Update | Encrypted |
| MF | 3F00 | | | |
| EF ICC | 0002 | ALW | NEV | No |
| EF IC | 0005 | ALW | NEV | No |
| DF Tachograph | 0500 | | | |
| EF Application_Identification | 0501 | ALW | NEV | No |
| EF Card_Certificate | C100 | ALW | NEV | No |
| EF CA_Certificate | C108 | ALW | NEV | No |
| EF Identification | 0520 | AUT | NEV | No |
| EF Company_Activity_Data | 050D | ALW | PRO SM / AUT | No |

All EFs structures shall be transparent.

Read with secure messaging shall be possible for all files under the DF Tachograph.

The company card shall have the following data structure:

Status: Point in time view as at 22/02/2016.

Changes to legislation: There are currently no known outstanding effects for the Council Regulation (EEC) No 3821/85, ANNEX I B. (See end of Document for details)

| File/Data element | No of Records | Size (bytes) | | Default Values |
|--------------------------------------|----------------|--------------|-------|----------------|
| | | Min | Max | |
| MF | | 11147 | 24487 | |
| EF ICC | | 25 | 25 | |
| CardIccIdentification | | 25 | 25 | |
| clockStop | | 1 | 1 | {00} |
| cardExtendedSerialNumber | | 8 | 8 | {00..00} |
| cardApprovalNumber | | 8 | 8 | {20..20} |
| cardPersonaliserID | | 1 | 1 | {00} |
| embedderIcAssemblerId | | 5 | 5 | {00..00} |
| icIdentifier | | 2 | 2 | {00 00} |
| EF IC | | 8 | 8 | |
| CardChipIdentification | | 8 | 8 | |
| icSerialNumber | | 4 | 4 | {00..00} |
| icManufacturingReferences | | 4 | 4 | {00..00} |
| DF Tachograph | | 11114 | 24454 | |
| EF Application_Identification | | 5 | 5 | |
| CompanyCardApplicationIdentification | | 5 | 5 | |
| typeOfTachographCardId | | 1 | 1 | {00} |
| cardStructureVersion | | 2 | 2 | {00 00} |
| noOfCompanyActivityRecords | | 2 | 2 | {00 00} |
| EF Card_Certificate | | 194 | 194 | |
| CardCertificate | | 194 | 194 | {00..00} |
| EF CA_Certificate | | 194 | 194 | |
| MemberStateCertificate | | 194 | 194 | {00..00} |
| EF Identification | | 139 | 139 | |
| CardIdentification | | 65 | 65 | |
| cardIssuingMemberState | | 1 | 1 | {00} |
| cardNumber | | 16 | 16 | {20..20} |
| cardIssuingAuthorityName | | 36 | 36 | {00, 20..20} |
| cardIssueDate | | 4 | 4 | {00..00} |
| cardValidityBegin | | 4 | 4 | {00..00} |
| cardExpiryDate | | 4 | 4 | {00..00} |
| CompanyCardHolderIdentification | | 74 | 74 | |
| companyName | | 36 | 36 | {00, 20..20} |
| companyAddress | | 36 | 36 | {00, 20..20} |
| cardHolderPreferredLanguage | | 2 | 2 | {20 20} |
| EF Company_Activity_Data | | 10582 | 23922 | |
| CompanyActivityData | | 10582 | 23922 | |
| companyPointerNewestRecord | | 2 | 2 | {00 00} |
| companyActivityRecords | | 10580 | 23920 | |
| companyActivityRecord | n ₈ | 46 | 46 | |
| companyActivityType | | 1 | 1 | {00} |
| companyActivityTime | | 4 | 4 | {00..00} |
| cardNumberInformation | | | | |
| cardType | | 1 | 1 | {00} |
| cardIssuingMemberState | | 1 | 1 | {00} |
| cardNumber | | 16 | 16 | {20..20} |
| vehicleRegistrationInformation | | | | |
| vehicleRegistrationNation | | 1 | 1 | {00} |
| vehicleRegistrationNumber | | 14 | 14 | {00, 20..20} |
| downloadPeriodBegin | | 4 | 4 | {00..00} |
| downloadPeriodEnd | | 4 | 4 | {00..00} |

The following values, used to provide sizes in the table above, are the minimum and maximum record number values the company card data structure must use:

| | Min | Max |
|----------------|----------------------------|-----|
| n ₈ | NoOfCompanyActivityRecords | 520 |

Status: Point in time view as at 22/02/2016.






Changes to legislation: There are currently no known outstanding effects for the Council Regulation (EEC) No 3821/85, ANNEX I B. (See end of Document for details)






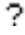
Appendix 3









PICTOGRAMS

[^{F3}The recording equipment may optionally use the following pictograms and pictogram combinations (or pictograms and combination similar enough to be unambiguously identifiable with these):]

1. BASIC PICTOGRAMS

| | People | Actions | Modes of operation |
|---|-----------------------|------------------------|--------------------|
|  | Company | | Company mode |
|  | Controller | Control | Control mode |
|  | Driver | Driver | Operational mode |
|  | Workshop/test station | Inspection/calibration | Calibration mode |
|  | Manufacturer | | |

| | Activities | Duration |
|---|------------|-----------------------------|
|  | Available | Current availability period |
|  | Driving | Continuous driving time |
|  | Rest | Current rest period |
|  | Work | Current work period |
|  | Break | Cumulative break time |
|  | Unknown | |

| | Equipment | Functions |
|---|------------------|-------------|
| 1 | Driver slot | |
| 2 | Co-driver slot | |
|  | Card | |
|  | Clock | |
|  | Display | Displaying |
|  | External storage | Downloading |
|  | Power supply | |
|  | Printer/printout | Printing |
|  | Sensor | |
|  | Tyre size | |

Status: Point in time view as at 22/02/2016.

Changes to legislation: There are currently no known outstanding effects for the Council Regulation (EEC) No 3821/85, ANNEX I B. (See end of Document for details)

| | | | |
|----------------------------------|-------------------------------------|-------------|-----------------------------------|
| A | Vehicle/vehicle unit | | |
| | | | Specific conditions |
| OUT | | | Out of scope |
| A | | | Ferry/train crossing |
| | Miscellaneous | | |
| ! | Events | x | Faults |
| ▶ | Start of daily work period | ▶ | End of daily work period |
| * | Location | M | Manual entry of driver activities |
| 🔒 | Security | ➤ | Speed |
| ⌚ | Time | Σ | Total/summary |
| | | | Qualifiers |
| 24h | | | Daily |
| I | | | Weekly |
| II | | | Two weeks |
| ➔ | | | From or to |
| 2. PICTOGRAM COMBINATIONS | | | |
| | Miscellaneous | | |
| 🔒* | Control place | | |
| *▶ | Location start of daily work period | ▶* | Location end of daily work period |
| ⌚➔ | From time | ➔⌚ | To time |
| A➔ | From vehicle | | |
| OUT➔ | Out of scope begin | ➔OUT | Out of scope end |
| | | | Cards |
| 👤 | | | Driver card |
| 🏢 | | | Company card |
| 🔒 | | | Control card |
| T | | | Workshop card |
| 📄 - - - | | | No card |

Status: Point in time view as at 22/02/2016.

Changes to legislation: There are currently no known outstanding effects for the Council Regulation (EEC) No 3821/85, ANNEX I B. (See end of Document for details)

| | |
|--------------------------|--|
| | Driving |
| 00 | Crew driving |
| 0 | Driving time for one week |
| 0 | Driving time for two weeks |
| | Printouts |
| 24h □ ▾ | Driver activities from card daily printout |
| 24h ▽ ▾ | Driver activities from VU daily printout |
| ! × □ ▾ | Events and faults from card printout |
| ! × ▽ ▾ | Events and faults from VU printout |
| T □ ▾ | Technical data printout |
| >> ▾ | Over speeding printout |
| | Events |
| ! □ | Insertion of a non valid card |
| ! □ □ | Card conflict |
| ! 00 | Time overlap |
| ! 0 □ | Driving without an appropriate card |
| ! □ 0 | Card insertion while driving |
| ! □ A | Last card session not correctly closed |
| >> | Over speeding |
| ! † | Power supply interruption |
| ! ∩ | Motion data error |
| ! □ | Security breach |
| ! 0 | Time adjustment (by workshop) |
| > □ | Over speeding control |
| ! A ∩ [^{F6} | Vehicle Motion Conflict] |
| | Faults |
| × □ 1 | Card fault (driver slot) |
| × □ 2 | Card fault (co-driver slot) |

Status: Point in time view as at 22/02/2016.

Changes to legislation: There are currently no known outstanding effects for the Council Regulation (EEC) No 3821/85, ANNEX I B. (See end of Document for details)

| | |
|-----|---|
| ×□ | Display fault |
| ×⤵ | Downloading fault |
| ×⤴ | Printer fault |
| ×⏏ | Sensor fault |
| ×⏎ | VU internal fault |
| | Manual entries procedure |
| ⏏?⏏ | Still same daily work period? |
| ⏏? | End of previous work period? |
| ⏏●? | Confirm or enter location of end of work period |
| ⏏⏏? | Enter start time |
| ●⏏? | Enter location of start of work period. |

Note: Additional pictogram combinations to form printout block or record identifiers are defined in Appendix 4.

Status: Point in time view as at 22/02/2016.

Changes to legislation: There are currently no known outstanding effects for the Council Regulation (EEC) No 3821/85, ANNEX I B. (See end of Document for details)

Appendix 4

PRINTOUTS

1. GENERALITIES

Each printout is built up by chaining various data blocks, possibly identified with a block identifier.

A data block contains one or more records, possibly identified with a record identifier.

When a block identifier immediately precedes a record identifier, the record identifier is not printed.

In the case where a data item is unknown, or must not be printed for data access rights reasons, spaces are printed instead.

If the content of a complete line is unknown, or need not to be printed, then the complete line is omitted.

Numerical data fields are printed right aligned, with a space separator for thousands and millions, and without leading zeros.

String data fields are printed left aligned and filled up with spaces to data item length, or truncated to data item length when needed (names and addresses).

2. DATA BLOCKS SPECIFICATION

In this chapter the following format notation conventions have been used:

- characters printed in *bold* denote plain text to be printed (printing remains in normal characters),
- normal characters denote variables (pictograms or data) to be replaced by their values for printing,
- variable names have been padded with underscores to show the data item length available for the variable,
- dates are specified with a ‘dd/mm/yyyy’ (day, month, year) format. A ‘dd.mm.yyyy’ format may also be used,
- the term ‘card identification’ denotes the composition of: the type of card through a card pictograms combination, the card issuing Member State code, a forward slash character and the card number with the replacement index and the renewal index separated with a space:

[^{F3}Printouts shall use the following data blocks and/or data records, in accordance with the following meanings and formats:

| Block or record number Meaning | Data Format |
|---|--------------------------|
| 1 <i>Date and time at which the document is printed.</i> | ▼ dd/mm/yyyy hh:mm (UTC) |
| 2 Type of printout | |
| Block identifier | -----▼----- |

Status: Point in time view as at 22/02/2016.

Changes to legislation: There are currently no known outstanding effects for the Council Regulation (EEC) No 3821/85, ANNEX I B. (See end of Document for details)

2 Type of printout

| | |
|--|-----------------------|
| Printout pictogram combination (see App. 3), Speed limiting device setting (Over speeding printout only) | Picto xxx km/h |
|--|-----------------------|

3 Card holder identification

| | |
|---------------------------------------|---------------------|
| Block identifier. P= people pictogram | -----P----- |
| Card holder surname | P Last_Name |
| Card holder first name(s) (if any) | First_Name |
| Card identification | Card_Identification |
| Card expiry date (if any) | dd/mm/yyyy |

In the case where the card is a non-personal card, and holds no card holder surname, the company or workshop or control body name shall be printed instead.

4 Vehicle identification

| | |
|----------------------------------|-------------|
| Block identifier | -----A----- |
| VIN | A VIN |
| Registering Member State and VRN | Nat/VRN |

5 VU identification

| | |
|------------------------|-------------------|
| Block identifier | -----B----- |
| VU manufacturer's name | B VU_Manufacturer |
| VU part number | VU_Part_Number |

6 Last calibration of the recording equipment

| | |
|------------------------------|---------------------|
| Block identifier | -----T----- |
| Workshop name | T Last_Name |
| Workshop card identification | Card_Identification |
| Date of the calibration | T dd/mm/yyyy |

7 Last control (by a control officer)

| | |
|----------------------------------|-------------------------|
| Block identifier | -----C----- |
| Controller's card identification | Card_Identification |
| Control date, time and type | C dd/mm/yyyy hh:mm pppp |

Type of the control: Up to four pictograms. The type of control can be (a combination) of:

■: Card downloading, ▼: VU downloading, ▼: printing, □: Displaying

8 Driver activities stored on a card in order of occurrence

| | |
|--|----------------|
| Block identifier | -----D----- |
| Enquiry date (calendar day subject of the printout) + Daily card presence counter | dd/mm/yyyy xxx |

Status: Point in time view as at 22/02/2016.

Changes to legislation: There are currently no known outstanding effects for the Council Regulation (EEC) No 3821/85, ANNEX I B. (See end of Document for details)

| | | |
|--|--|---------------------------------------|
| 8a | <i>Out of scope condition in the beginning of this day</i> (leave blank if no out of scope condition open) | ----- OUT ----- |
| 8.1 Period during which the card was not inserted | | |
| 8.1a | Record identifier (start of period) | ----- |
| 8.1b | <i>Unknown period.</i> Start time, duration | ?: hh:mm hhhmm |
| 8.1c | <i>Activity manually entered</i> | A: hh:mm hhhmm |
| Activity pictogram, start time, duration. | | |
| 8.2 Card insertion in slot S | | |
| Record identifier; S = Slot pictogram | | -----S----- |
| Vehicle registering Member State and VRN | | ▣ Nat/VRN |
| Vehicle odometer at card insertion | | x xxx xxx km |
| 8.3 Activity (while card was inserted) | | |
| Activity pictogram, start time, duration, crew status (crew pictogram if CREW, blanks if SINGLE) | | A: hh:mm hhhmm ⁰⁰ |
| 8.3a | <i>Specific condition.</i> Time of entry, specific condition pictogram (or pictogram combination). | hh:mm - - - pppp - - - |
| 8.4 Card withdrawal | | |
| Vehicle odometer and distance travelled since last insertion for which odometer is known | | x xxx xxx km ; x xxx km |
| 9 Driver activities stored in a VU per slot in chronological order | | |
| Block identifier | | ----- ⁰ ----- |
| Enquiry date (calendar day subject of the printout) | | dd/mm/yyyy |
| Vehicle odometer at 00:00 and 24:00 | | x xxx xxx – x xxx xxx km |
| 10 Activities carried in slot S | | |
| Block identifier | | -----S----- |
| 10a | <i>Out of scope condition in the beginning of this day</i> (leave blank if no out of scope condition open) | -----OUT----- |
| 10.1 Period where no card is inserted in slot S | | |
| Record identifier. | | ----- |


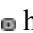
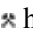
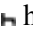

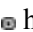
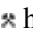

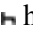

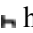
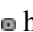



Status: Point in time view as at 22/02/2016.

Changes to legislation: There are currently no known outstanding effects for the Council Regulation (EEC) No 3821/85, ANNEX I B. (See end of Document for details)

| | |
|--|---------------------------------------|
| 10.1 Period where no card is inserted in slot S | |
| No Card inserted | ☐ - - - |
| Vehicle odometer at beginning of period | x xxx xxx km |
| 10.2 Card insertion | |
| Card insertion Record identifier | - - - - - |
| Driver's name | ☐ Last_Name |
| Driver's first name | First_Name |
| Driver's Card identification | Card_Identification |
| Driver's card expiry date | dd/mm/yyyy |
| Registering MS and VRN of previous vehicle used | ☐☐Nat/VRN |
| Date and time of card withdrawal from previous vehicle | dd/mm/yyyy hh:mm |
| Blank line | |
| Vehicle odometer at card insertion, Manual entry of driver activities flag (M if yes, Blank if No). | x xxx xxx km M |
| If no card insertion of a driver card happened on the day for which the printout is done then for block 10.2 the odometer data reading from the last available card insertion before that day shall be used. | |
| 10.3 Activity | |
| Activity pictogram, start time, duration, crew Status (crew pictogram if CREW, blanks if SINGLE) | A ÷ hh:mm hhhmm☐☐ |
| 10.3a <i>Specific condition.</i> Time of entry, specific condition pictogram (or pictogram combination). | hh:mm - - - pppp - - - |
| 10.4 Card withdrawal or End of 'No Card' period | |
| Vehicle odometer at card withdrawal or at end of 'no card' period and distance travelled since insertion, or since beginning of the 'No Card' period. | x xxx xxx km ; x xxx km |
| 11 Daily summary | |
| Block identifier | - - - - - ☐ - - - - - |
| 11.1 VU summary of periods without card in driver slot | |
| Block identifier | 1☐ - - - |

Status: Point in time view as at 22/02/2016.

Changes to legislation: There are currently no known outstanding effects for the Council Regulation (EEC) No 3821/85, ANNEX I B. (See end of Document for details)

| | |
|---|---|
| 11.2 VU summary of periods without card in co-driver slot | |
| Block identifier | 2  - - - |
| 11.3 VU daily summary per driver | |
| Record identifier | - - - - - |
| Driver's surname |  Last_Name |
| Driver's first name(s) | First_Name |
| Driver's card identification | Card_Identification |
| 11.4 Entry of place where a daily work period begins and/or ends | |
| pi=location begin / end pictogram, time, country, region, | pihh:mm Cou Reg |
| Odometer | x xxx xxx km |
| 11.5 Activity totals (from a card) | |
| Total driving duration, distance travelled |  hh:mm x xxx km |
| Total working and availability duration |  hh:mm  hh:mm |
| Total resting and unknown duration |  hh:mm ? hh:mm |
| Total duration of crew activities |  hh:mm |
| 11.6 Activity totals (periods without card driver slot) | |
| Total driving duration, distance travelled |  hh:mm x xxx km |
| Total working and availability duration |  hh:mm  hh:mm |
| Total resting duration |  hh:mm |
| 11.7 Activity totals (periods without card co-driver slot) | |
| Total working and availability duration |  hh:mm  hh:mm |
| Total resting duration |  hh:mm |
| 11.8 Activity totals (per driver both slots included) | |
| Total driving duration, distance travelled |  hh:mm x xxx km |
| Total working and availability duration |  hh:mm  hh:mm |
| Total resting duration |  hh:mm |
| Total duration of crew activities |  hh:mm |
| When a daily printout is required for the current day, daily summary information is computed with available data at the time of the printout. | |
| 12 Events and/or faults stored on a card | |
| 12.1 Block identifier last 5 'Events and Faults' from a card | - - - - -  - - - - - |
| 12.2 Block identifier all recorded 'Events' on a card | - - - - -  - - - - - |

Status: Point in time view as at 22/02/2016.

Changes to legislation: There are currently no known outstanding effects for the Council Regulation (EEC) No 3821/85, ANNEX I B. (See end of Document for details)

| | | |
|---|--|--|
| 12.3 | Block identifier all recorded 'Faults' on a card | -----x█----- |
| 12.4 Event and/or Fault record | | |
| | Record identifier | ----- |
| | Event/fault pictogram, record purpose, date time of start, | Pic (p) dd/mm/yyyy hh:mm |
| | Additional event/fault code (if any), duration | ! xx hhmm |
| | Registering Member State & VRN of vehicle in which the event or fault occurred | █ Nat/VRN |
| 13 Events and/or faults stored or on-going in a VU | | |
| 13.1 | Block identifier last 5 'Events and Faults' from VU | -----!xA----- |
| 13.2 | Block identifier all recorded or on-going 'Events' in a VU | -----!A----- |
| 13.3 | Block identifier all recorded or on-going 'Faults' in a VU | -----xA----- |
| 13.4 Event and/or fault record | | |
| | Record identifier | ----- |
| | Event/fault pictogram, record purpose, date time of start, | Pic (p) dd/mm/yyyy hh:mm |
| | Additional event/fault code (if any), No of similar events this day, duration | ! xx (xxx) hhmm |
| | Identification of the cards inserted at start or end of the event or fault (up to 4 lines without repeating twice the same card numbers) | Card_Identification Card_Identification Card_Identification Card_Identification |
| | Case where no card was inserted | █ - - - |
| The record purpose (p) is a numerical code explaining why the event or fault was recorded, coded in accordance with the data element EventFaultRecordPurpose. | | |
| 14 VU Identification | | |
| | Block identifier | -----█----- |
| | VU manufacturer name | █ Name |
| | VU manufacturer address | Address |
| | VU part number | PartNumber |
| | VU approval number | Apprv |
| | VU serial number | S/N |
| | VU year of manufacture | Yyyy |

Status: Point in time view as at 22/02/2016.

Changes to legislation: There are currently no known outstanding effects for the Council Regulation (EEC) No 3821/85, ANNEX I B. (See end of Document for details)

| | |
|---|----------------------|
| 14 VU Identification | |
| VU software version and installation date | V xxxx dd/mm/yyyy |
| 15 Sensor identification | |
| Block identifier | ----- n ----- |
| Sensor serial number | n S/N |
| Sensor approval number | Apprv |
| Sensor first installation date | dd/mm/yyyy] |

3. PRINTOUT SPECIFICATIONS

In this chapter the following notation conventions have been used:

| | |
|-----|--|
| N | Print block or record number N |
| N | Print block or record number N repeated as many times as necessary |
| X/Y | Print blocks or records X and/or Y as needed, and repeating as many times as necessary |

[^F3.1. Driver Activities from Card Daily Printout

The driver activities from card daily printout shall be in accordance with the following format:

| | |
|----|---|
| 1 | Date and time at which the document is printed |
| 2 | Type of printout |
| 3 | Controller identification (if a control card is inserted in the VU) |
| 3 | Driver identification (from card subject of the printout) |
| 4 | Vehicle identification (vehicle from which printout is taken) |
| 5 | VU identification (VU from which printout is taken) |
| 6 | Last calibration of this VU |
| 7 | Last control the inspected driver has been subject to |
| 8 | Driver activities delimiter |
| 8a | Out of scope condition in the beginning of this day |

Status: Point in time view as at 22/02/2016.

Changes to legislation: There are currently no known outstanding effects for the Council Regulation (EEC) No 3821/85, ANNEX I B. (See end of Document for details)

| | |
|---|--|
| 8.1a / 8.1b / 8.1c / 8.2 / 8.3 / 8.3a / 8.4 | Activities of the driver in order of occurrence |
| 11 | Daily summary delimiter |
| 11.4 | Places entered in chronological order |
| 11.5 | Activity totals |
| 12.1 | Events or faults from card delimiter |
| 12.4 | Event/Fault records (Last 5 events or faults stored in the card) |
| 13.1 | Events or faults from VU delimiter |
| 13.4 | Event/Fault records (Last 5 events or faults stored or on-going in the VU) |
| 21.1 | Control place |
| 21.2 | Controller's signature |
| 21.5 | Driver's signature] |

[^{F3}3.2. Driver Activities from daily VU printout

The driver activities from VU daily printout shall be in accordance with the following format:

| | |
|-----------------------------------|---|
| 1 | Date and time at which the document is printed |
| 2 | Type of printout |
| 3 | Card holder identification (for all cards inserted in VU) |
| 4 | Vehicle identification (vehicle from which printout is taken) |
| 5 | VU identification (VU from which printout is taken) |
| 6 | Last calibration of this VU |
| 7 | Last control on this recording equipment |
| 9 | Driver activities delimiter |
| 10 | Driver slot delimiter (slot 1) |
| 10a | Out of scope condition in the beginning of this day |
| 10.1 / 10.2 / 10.3 / 10.3a / 10.4 | Activities in chronological order (driver slot) |
| 10 | Co-driver slot delimiter (slot 2) |
| 10a | Out of scope condition in the beginning of this day |
| 10.1 / 10.2 / 10.3 / 10.3a / 10.4 | Activities in chronological order (co-driver slot) |

Status: Point in time view as at 22/02/2016.

Changes to legislation: There are currently no known outstanding effects for the Council Regulation (EEC) No 3821/85, ANNEX I B. (See end of Document for details)

| | |
|------|--|
| 11 | Daily summary delimiter |
| 11.1 | Summary of periods without card in driver slot |
| 11.4 | Places entered in chronological order |
| 11.6 | Activity totals |
| 11.2 | Summary of periods without card in co-driver slot |
| 11.4 | Places entered in chronological order |
| 11.8 | Activity totals |
| 11.3 | Summary of activities for a driver both slots included |
| 11.4 | Places entered by this driver in chronological order |
| 11.7 | Activity totals for this driver |
| 13.1 | Events faults delimiter |
| 13.4 | Event/Fault records (Last 5 events or faults stored or on-going in the VU) |
| 21.1 | Control place |
| 21.2 | Controller's signature |
| 21.3 | From time (space available for a driver without a card to indicate |
| 21.4 | To time which periods are relevant to himself) |
| 21.5 | Driver's signature] |

3.3. Events and faults from card printout

The events and faults from card printout shall be in accordance with the following format:

| | |
|---|---|
| 1 | Date and time at which the document is printed |
| 2 | Type of printout |
| 3 | Controller identification (if a control card is inserted in the VU) |
| 3 | Driver identification (from card subject of the printout) |
| 4 | Vehicle identification (vehicle from which printout is taken) |

Status: Point in time view as at 22/02/2016.

Changes to legislation: There are currently no known outstanding effects for the Council Regulation (EEC) No 3821/85, ANNEX I B. (See end of Document for details)

| | |
|------|---|
| 12.2 | Events delimiter |
| 12.4 | Event records (all events stored on the card) |
| 12.3 | Faults delimiter |
| 12.4 | Fault records (all faults stored on the card) |
| 21.1 | Control place |
| 21.2 | Controller's signature |
| 21.5 | Driver's signature |

3.4. Events and faults from VU printout

The events and faults from VU printout shall be in accordance with the following format:

| | |
|------|---|
| 1 | Date and time at which the document is printed |
| 2 | Type of printout |
| 3 | Card holder identification (for all cards inserted in VU) |
| 4 | Vehicle identification (vehicle from which printout is taken) |
| 13.2 | Events delimiter |
| 13.4 | Event records (All Events stored or on-going in the VU) |
| 13.3 | Faults delimiter |
| 13.4 | Fault records (All Faults stored or on-going in the VU) |
| 21.1 | Control place |

Status: Point in time view as at 22/02/2016.

Changes to legislation: There are currently no known outstanding effects for the Council Regulation (EEC) No 3821/85, ANNEX I B. (See end of Document for details)

| | |
|------|------------------------|
| 21.2 | Controller's signature |
| 21.5 | Driver's signature |

3.5. Technical data printout

The technical data printout shall be in accordance with the following format:

| | |
|------|--|
| 1 | Date and time at which the document is printed |
| 2 | Type of printout |
| 3 | Card holder identification (for all cards inserted in VU) |
| 4 | Vehicle identification (vehicle from which printout is taken) |
| 14 | VU identification |
| 15 | Sensor identification |
| 16 | Calibration data delimiter |
| 16.1 | Calibration records (all records available in chronological order) |
| 17 | Time adjustment delimiter |
| 17.1 | Time adjustment records (all records available from time adjustment and from calibration data records) |
| 18 | Most recent event and Fault recorded in the VU |

3.6. Over speeding printout

The over speeding printout shall be in accordance with the following format:

| | |
|---|--|
| 1 | Date and time at which the document is printed |
| 2 | Type of printout |

Status: Point in time view as at 22/02/2016.

Changes to legislation: There are currently no known outstanding effects for the Council Regulation (EEC) No 3821/85, ANNEX I B. (See end of Document for details)

| | |
|-------------|---|
| 3 | Card holder identification (for all cards inserted in VU) |
| 4 | Vehicle identification (vehicle from which printout is taken) |
| 19 | Over speeding control information |
| 20.1 | Over speeding data identifier |
| 20.4 / 20.5 | First over speeding after the last calibration |
| 20.2 | Over speeding data identifier |
| 20.4 / 20.5 | The 5 most serious over speeding events over the last 365 days |
| 20.3 | Over speeding data identifier |
| 20.4 / 20.5 | The most serious over speeding for each of the last 10 days of occurrence |
| 21.1 | Control place |
| 21.2 | Controller's signature |
| 21.5 | Driver's signature. |

Status: Point in time view as at 22/02/2016.

Changes to legislation: There are currently no known outstanding effects for the Council Regulation (EEC) No 3821/85, ANNEX I B. (See end of Document for details)

Appendix 5

DISPLAY

In this appendix the following format notation conventions have been used:

- characters printed in *bold* denote plain text to be displayed (display remains in normal character),
- normal characters denote variables (pictograms or data) to be replaced by their values for displaying:

| | | |
|-------|---|--|
| dd mm | : | day, month, year, |
| yyyy | | |
| hh | : | hours, |
| mm | : | minutes, |
| D | : | duration pictogram, |
| EF | : | event or fault pictograms combination, |
| O | : | mode of operation pictogram. |

The recording equipment shall display data using the following formats:

| Data | <i>Format</i> |
|--|--|
| Default display | |
| Local time | <i>hh:mm</i> |
| Mode of operation | <i>O</i> |
| Information related to the driver | 1 <i>Dhhmm■hhmm</i> |
| Information related to the co-driver | 2 <i>Dhhmm</i> |
| Out of scope condition opened | OUT |
| Warning display | |
| Exceeding continuous driving time | 1 <i>⊙hhmm■hhmm</i> |
| Event or fault | <i>EF</i> |
| Other displays | |
| UTC date | <i>UTC</i> ⊙ <i>dd/mm/yyyy</i> or <i>UTC</i> ⊙ <i>dd.mm.yyyy</i> |
| time | <i>hh:mm</i> |
| Driver's continuous driving time and cumulative break time | 1 <i>⊙hhmm■hhmm</i> |
| Co-driver's continuous driving time and cumulative break time | 2 <i>⊙hhmm■hhmm</i> |
| Driver's cumulated driving time for the previous and the current week | 1 <i>⊙ hhmm</i> |
| Co-driver's cumulated driving time for the previous and the current week | 2 <i>⊙ hhmm</i> |

Status: Point in time view as at 22/02/2016.

Changes to legislation: There are currently no known outstanding effects for the Council Regulation (EEC) No 3821/85, ANNEX I B. (See end of Document for details)

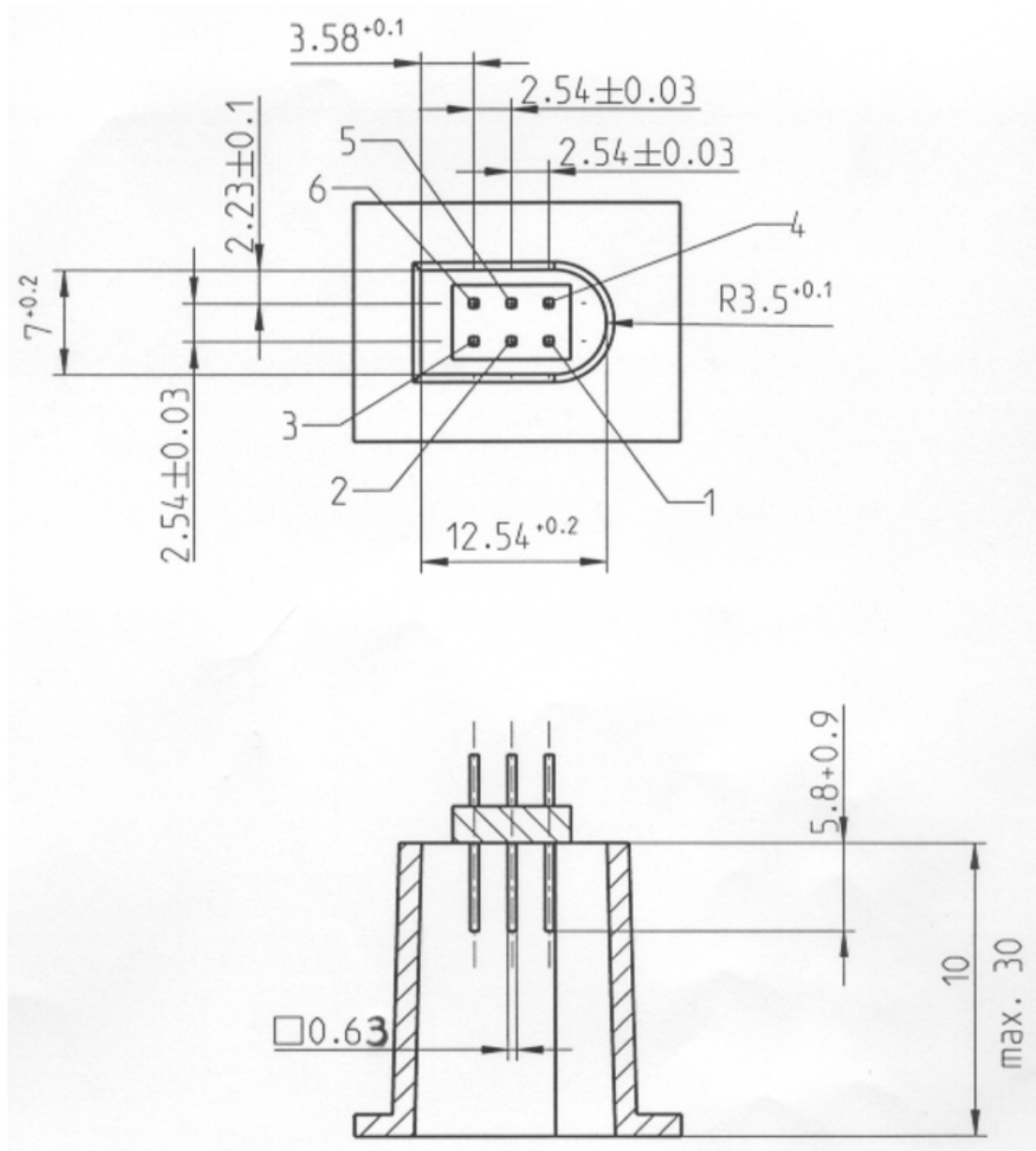
Appendix 6

EXTERNAL INTERFACES

1. HARDWARE

1.1. Connector

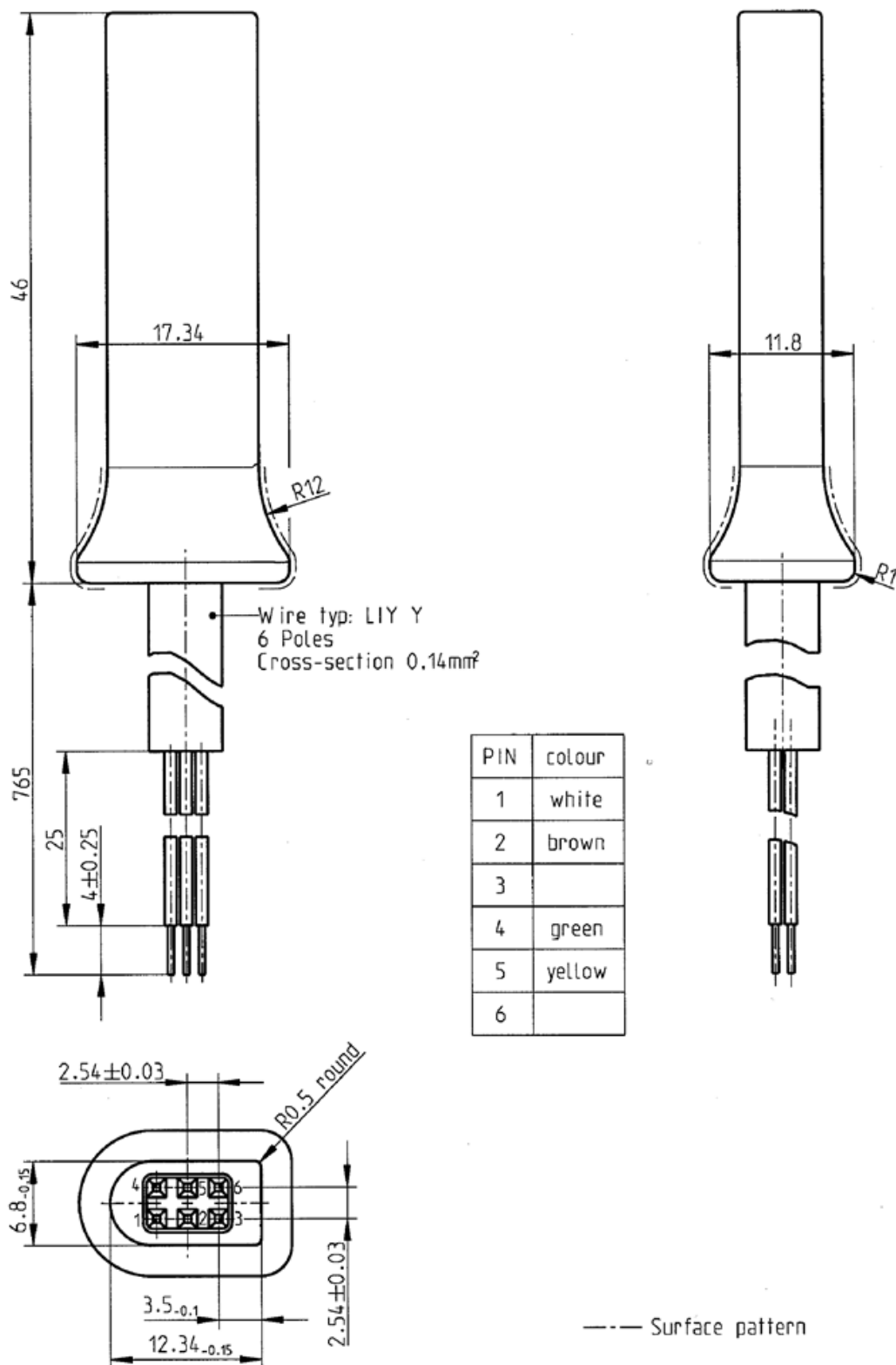
The downloading/calibration connector shall be a six pin connector, accessible on the front panel without the need to disconnect any part of the recording equipment, and shall comply with the following drawing (all dimensions in millimetres):



The following diagram shows a typical six pin mating plug:

Status: Point in time view as at 22/02/2016.

Changes to legislation: There are currently no known outstanding effects for the Council Regulation (EEC) No 3821/85, ANNEX I B. (See end of Document for details)



1.2. Contact allocation

Status: Point in time view as at 22/02/2016.

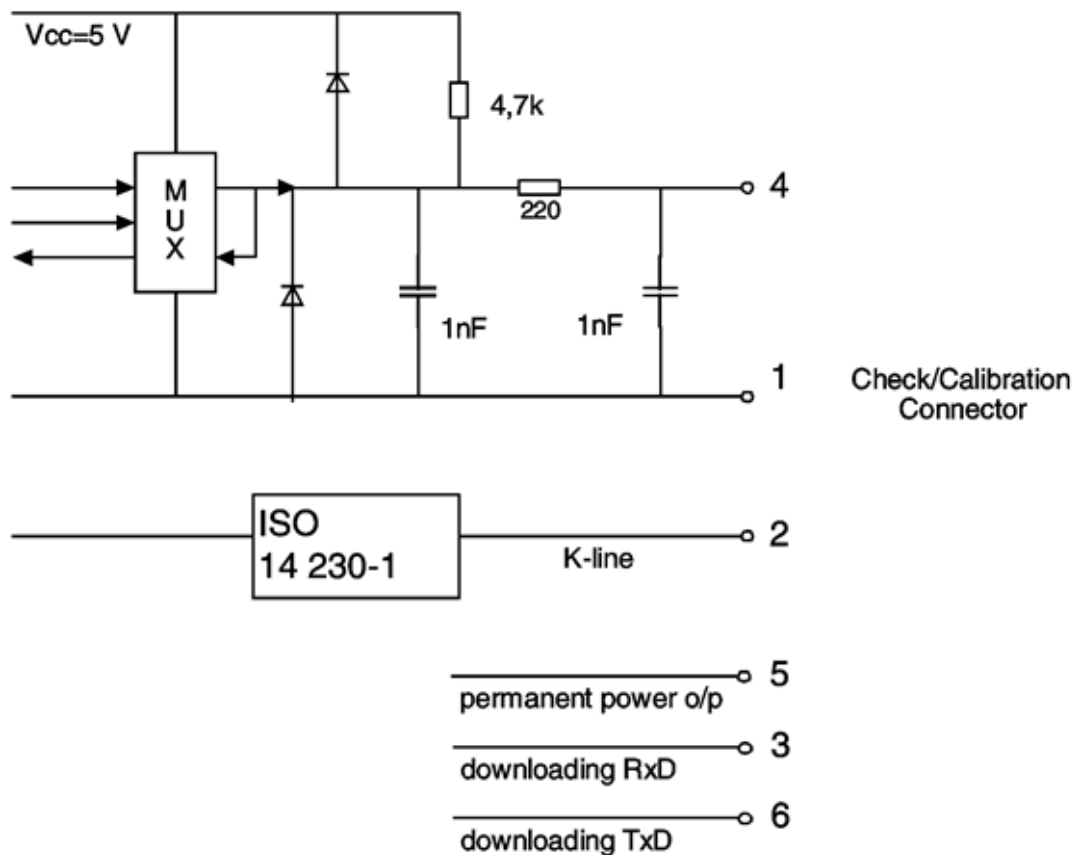
Changes to legislation: There are currently no known outstanding effects for the Council Regulation (EEC) No 3821/85, ANNEX I B. (See end of Document for details)

Contacts shall be allocated in accordance with the following table:

| Pin | Description | Remark |
|-----|------------------------|---|
| 1 | Battery minus | Connected to the battery minus of the vehicle |
| 2 | Data communication | K-line (ISO 14 230-1) |
| 3 | RxD — Downloading | Data input to recording equipment |
| 4 | Input/output signal | Calibration |
| 5 | Permanent power output | The voltage range is specified to be that of the vehicle power minus 3V to allow for the voltage drop across the protective circuitry Output 40 mA |
| 6 | TxD — Downloading | Data output from recording equipment |

1.3. Block diagram

The block diagram shall comply with the following:



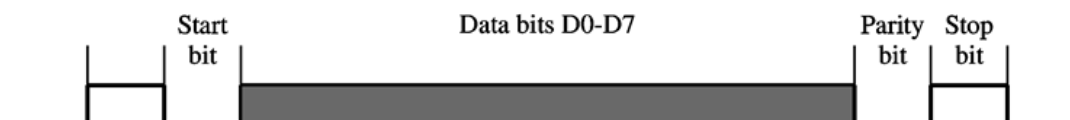
Status: Point in time view as at 22/02/2016.

Changes to legislation: There are currently no known outstanding effects for the Council Regulation (EEC) No 3821/85, ANNEX I B. (See end of Document for details)

2. DOWNLOADING INTERFACE

The downloading interface shall comply to RS232 specifications.

The downloading interface shall use one start bit, 8 data bits LSB first, one even parity bit and 1 stop bit.



Start bit : one bit with logic level 0
 Data bits : transmitted with LSB first
 Parity bit : even parity
 Stop bit : one bit with logic level 1

When numerical data composed by more than one byte are transmitted, the most significant byte is transmitted first and the least significant byte last.

Transmission baud rates shall be adjustable from 9 600 bps to 115 200 bps. Transmission shall be achieved at the highest possible transmission speed, the initial baud rate after a start of communication being set at 9 600 bps.

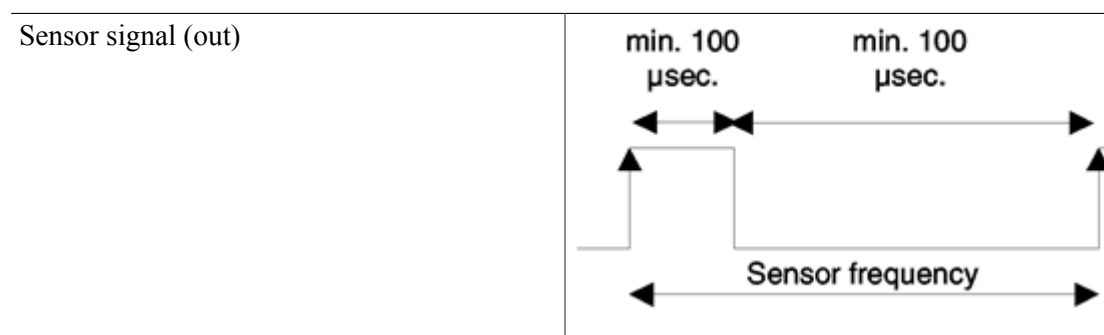
3. CALIBRATION INTERFACE

The data communication shall comply to ISO 14 230-1 Road vehicles — Diagnostic systems — Keyword protocol 2000 — Part 1: Physical layer, First edition: 1999.

The input/output signal shall comply with the following electrical specification:

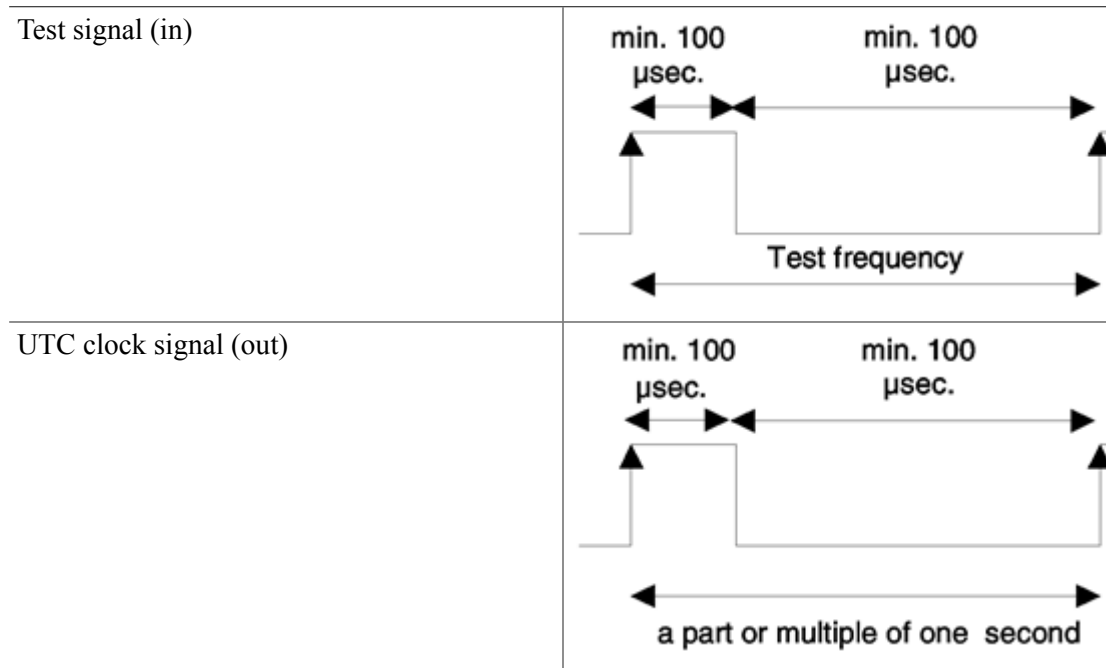
| Parameter | Minimum | Typical | Maximum | Remark |
|-------------------------|---------|---------|---------|------------|
| U _{low} (in) | | | 1,0 V | I = 750 μA |
| U _{high} (in) | 4 V | | | I = 200 μA |
| Frequency | | | 4 kHz | |
| U _{low} (out) | | | 1,0 V | I = 1 mA |
| U _{high} (out) | 4 V | | | I = 1 mA |

The input/output signal shall comply with the following timing diagrams:



Status: Point in time view as at 22/02/2016.

Changes to legislation: There are currently no known outstanding effects for the Council Regulation (EEC) No 3821/85, ANNEX I B. (See end of Document for details)



Status: Point in time view as at 22/02/2016.

Changes to legislation: There are currently no known outstanding effects for the Council Regulation (EEC) No 3821/85, ANNEX I B. (See end of Document for details)

Appendix 7

DATA DOWNLOADING PROTOCOLS

1. INTRODUCTION

This appendix specifies the procedures to follow in order to perform the different types of data download to an external storage medium, together with the protocols that must be implemented to assure the correct data transfer and the full compatibility of the downloaded data format to allow any controller to inspect these data and be able to control their authenticity and their integrity before analysing them.

1.1. Scope

Data may be downloaded to an ESM:

- from a vehicle unit by an intelligent dedicated equipment (IDE) connected to the VU,
- from a tachograph card by an IDE fitted with a card interface device (IFD),
- from a tachograph card via a vehicle unit by an IDE connected to the VU.

To give the possibility to verify the authenticity and integrity of downloaded data stored on an ESM, data is downloaded with a signature appended in accordance with Appendix 11 Common Security Mechanisms. The source equipment (VU or card) identification and its security certificates (Member State and equipment) are also downloaded. The verifier of the data must possess independently a trusted European public key.

Data downloaded during one download session must be stored in the ESM within one file.

1.2. Acronyms and notations

The following acronyms are used in this appendix:

| | |
|------|---|
| AID | application identifier |
| ATR | answer to reset |
| CS | checksum byte |
| DF | dedicated file |
| DS_ | diagnostic session |
| EF | elementary file |
| ESM | external storage medium |
| FID | file identifier (File ID) |
| FMT | format byte (first byte of message header) |
| ICC | integrated circuit card |
| IDE | intelligent dedicated equipment: The equipment used to perform data downloading to the ESM (e.g. personal computer) |
| IFD | interface device |
| KWP | keyword protocol 2000 |
| LEN | length byte (last byte of message header) |
| PPS | protocol parameter selection |
| PSO | perform security operation |
| SID | service identifier |
| SRC | source byte |
| TGT | target byte |
| TLV | tag length value |
| TREP | transfer response parameter |
| TRTP | transfer request parameter |

Status: Point in time view as at 22/02/2016.

Changes to legislation: There are currently no known outstanding effects for the Council Regulation (EEC) No 3821/85, ANNEX I B. (See end of Document for details)

VU vehicle unit.

2. VU DATA DOWNLOADING

2.1. Download procedure

In order to carry on a VU data download, the operator must perform the following operations:

- insert his tachograph card inside a card slot of the VU⁽¹⁵⁾,
- connect the IDE to the VU download connector,
- establish the connection between the IDE and the VU,
- select on the IDE the data to download and send the request to the VU,
- close the download session.

2.2. Data download protocol

The protocol is structured on a master-slave basis, with the IDE playing the master role and the VU playing the slave role.

The message structure, types and flow are principally based on the Keyword Protocol 2000 (KWP) (ISO 14230-2 Road vehicles — Diagnostic systems — Keyword protocol 2000 — Part 2: Data link layer).

The application layer is principally based on the current draft to date of ISO 14229-1 (Road vehicles — Diagnostic systems — Part 1: Diagnostic services, version 6 of 22 February 2001).

2.2.1. Message structure

All the messages exchanged between the IDE and the VU are formatted with a structure consisting of three parts:

- header composed by a format byte (FMT), a target byte (TGT), a source byte (SRC) and possibly a length byte (LEN),
- data field composed by a service identifier byte (SID) and a variable number of data bytes, which can include an optional diagnostic session byte (DS_) or an optional transfer parameter byte (TRTP or TREP).
- checksum composed by a checksum byte (CS).

| Header | | | | Data field | | | | | Checksum |
|---------|-----|-----|-----|---------------|------|-----|-----|-----|----------|
| FMT | TGT | SRC | LEN | SID | DATA | ... | ... | ... | CS |
| 4 bytes | | | | Max 225 bytes | | | | | 1 byte |

The TGT and SRC byte represent the physical address of the recipient and originator of the message. Values are F0 Hex for the IDE and EE Hex for the VU.

The LEN byte is the length of the data field part.

The checksum byte is the 8 bit sum series modulo 256 of all the bytes of the message excluding the CS itself.

FMT, SID, DS_, TRTP and TREP bytes are defined later in this document.

In the case where the data to be carried by the message is longer than the space available in the data field part, the message is actually sent in several submessages. Each submessage bears a header, the same SID, TREP and a 2-byte submessage counter indicating the submessage number within the total message. To enable error checking and abort the IDE acknowledges

Status: Point in time view as at 22/02/2016.

Changes to legislation: There are currently no known outstanding effects for the Council Regulation (EEC) No 3821/85, ANNEX I B. (See end of Document for details)

every submessage. The IDE can accept the submessage, ask for it to be re-transmitted, request the VU to start again or abort the transmission.

If the last submessage contains exactly 255 bytes in the data field, a final submessage with an empty (except SID TREP and submessage counter) data field must be appended to show the end of the message.

Example:

| Header | SID | TREP | Message | CS |
|---------|-----------------------|------|---------|----|
| 4 Bytes | Longer than 255 Bytes | | | |

Will be transmitted as:

| Header | SID | TREP | 00 | 01 | Submessage 1 | CS |
|---------|-----------|------|----|----|-----------------|----|
| 4 Bytes | 255 Bytes | | | | | |

| Header | SID | TREP | 00 | 01 | Submessage 2 | CS |
|---------|-----------|------|----|----|-----------------|----|
| 4 Bytes | 255 Bytes | | | | | |

...

| Header | SID | TREP | xx | yy | Submessage n | CS |
|---------|---------------------|------|----|----|-----------------|----|
| 4 Bytes | Less than 255 Bytes | | | | | |

or as:

| Header | SID | TREP | 00 | 01 | Submessage 1 | CS |
|---------|-----------|------|----|----|-----------------|----|
| 4 Bytes | 255 Bytes | | | | | |

| Header | SID | TREP | 00 | 02 | Submessage 2 | CS |
|---------|-----------|------|----|----|-----------------|----|
| 4 Bytes | 255 Bytes | | | | | |

...

| Header | SID | TREP | xx | yy | Submessage n | CS |
|---------|-----------|------|----|----|-----------------|----|
| 4 Bytes | 255 Bytes | | | | | |

| Header | SID | TREP | xx | yy+1 | CS |
|--------|-----|------|----|------|----|
|--------|-----|------|----|------|----|

Status: Point in time view as at 22/02/2016.

Changes to legislation: There are currently no known outstanding effects for the Council Regulation (EEC) No 3821/85, ANNEX I B. (See end of Document for details)

| | | |
|---------|---------|--|
| 4 Bytes | 4 bytes | |
|---------|---------|--|

2.2.2. Message types

The communication protocol for data download between the VU and the IDE requires the exchange of eight different message types.

The following table summarises these messages.

| Message Structure | | Maximum 4 bytesHeader | | | | Maximum 255 bytesData | | | 1 byteChecksum |
|-------------------|-------|------------------------------------|-----|-----|-----|-----------------------|----------|----------------------------|------------------------------|
| IDE - > | <- VU | FMT | TGT | SRC | LEN | SID | DS_/TRTP | DATA | CS |
| | | 81 | EE | F0 | | 81 | | | E0 |
| | | 80 | F0 | EE | 03 | C1 | | [^{F10} EA 8F] | 9B |
| | | 80 | EE | F0 | 02 | 10 | 81 | | F1 |
| | | 80 | F0 | EE | 02 | 50 | 81 | | 31 |
| | | Link control service | | | | | | | |
| | | Verify Baud rate (stage 1) | | | | | | | |
| | | 9 600 Bd | 80 | EE | F0 | 04 | 87 | | 01,01,01 EC |
| | | 19 200 Bd | 80 | EE | F0 | 04 | 87 | | 01,01,02 ED |
| | | 38 400 Bd | 80 | EE | F0 | 04 | 87 | | 01,01,03 [^{X1} EE] |
| | | 57 600 Bd | 80 | EE | F0 | 04 | 87 | | 01,01,04 EF |
| | | 115 200 Bd | 80 | EE | F0 | 04 | 87 | | 01,01,05 F0 |
| | | Positive response verify Baud rate | 80 | F0 | EE | 02 | C7 | | 01 28 |
| | | Transition baud rate (stage 2) | 80 | EE | F0 | 03 | 87 | | 02,03 ED |
| | | Request Upload | 80 | EE | F0 | 0A | 35 | | 00,00,00,00,00,FF,FF,FF,FF |

Notes:

- Sid Req = the Sid of the corresponding request.
- TREP = the TRTP of the corresponding request.
- Dark cells denotes that nothing is transmitted.
- The term upload (as seen from the IDE) is used for compatibility with ISO 14229. It means the same as download (as seen from the VU).
- Potential 2-byte submessage counters are not shown in this Table.

Status: Point in time view as at 22/02/2016.

Changes to legislation: There are currently no known outstanding effects for the Council Regulation (EEC) No 3821/85, ANNEX I B. (See end of Document for details)

| | | | | | | | | |
|---|----|----|----|-----|----|---------|-------|----|
| Positive response request upload | 80 | F0 | EE | 03 | 75 | | 00,FF | D5 |
| Transfer data request | | | | | | | | |
| Overview | 80 | EE | F0 | 02 | 36 | 01 | | 97 |
| Activities | 80 | EE | F0 | 06 | 36 | 02 | Date | CS |
| Events and faults | 80 | EE | F0 | 02 | 36 | 03 | | 99 |
| Detailed speed | 80 | EE | F0 | 02 | 36 | 04 | | 9A |
| Technical data | 80 | EE | F0 | 02 | 36 | 05 | | 9B |
| Card download | 80 | EE | F0 | 02 | 36 | 06 | | 9C |
| Positive response transfer data | 80 | F0 | EE | Len | 76 | TREP | Data | CS |
| Request transfer exit | 80 | EE | F0 | 01 | 37 | | | 96 |
| Positive response request transfer exit | 80 | F0 | EE | 01 | 77 | | | D6 |
| Stop communication request | 80 | EE | F0 | 01 | 82 | | | E1 |
| Positive response stop communication | 80 | F0 | EE | 01 | C2 | | | 21 |
| Acknowledge sub message | 80 | EE | F0 | Len | 83 | | Data | CS |
| Negative responses | | | | | | | | |
| General reject | 80 | F0 | EE | 03 | 7F | Sid Req | 10 | CS |
| Service not supported | 80 | F0 | EE | 03 | 7F | Sid Req | 11 | CS |
| Subfunction not supported | 80 | F0 | EE | 03 | 7F | Sid Req | 12 | CS |
| Incorrect message length | 80 | F0 | EE | 03 | 7F | Sid Req | 13 | CS |

Notes:

- Sid Req = the Sid of the corresponding request.
- TREP = the TRTP of the corresponding request.
- Dark cells denotes that nothing is transmitted.
- The term upload (as seen from the IDE) is used for compatibility with ISO 14229. It means the same as download (as seen from the VU).
- Potential 2-byte submessage counters are not shown in this Table.

Status: Point in time view as at 22/02/2016.

Changes to legislation: There are currently no known outstanding effects for the Council Regulation (EEC) No 3821/85, ANNEX I B. (See end of Document for details)

| | | | | | | | | |
|--|----|----|----|----|----|---------|----|----|
| Conditions not correct or request sequence error | 80 | F0 | EE | 03 | 7F | Sid Req | 22 | CS |
| Request out of range | 80 | F0 | EE | 03 | 7F | Sid Req | 31 | CS |
| Upload not accepted | 80 | F0 | EE | 03 | 7F | Sid Req | 50 | CS |
| Response pending | 80 | F0 | EE | 03 | 7F | Sid Req | 78 | CS |
| Data not available | 80 | F0 | EE | 03 | 7F | Sid Req | FA | CS |

Notes:

- Sid Req = the Sid of the corresponding request.
- TREP = the TRTP of the corresponding request.
- Dark cells denotes that nothing is transmitted.
- The term upload (as seen from the IDE) is used for compatibility with ISO 14229. It means the same as download (as seen from the VU).
- Potential 2-byte submessage counters are not shown in this Table.

2.2.2.1. Start communication request (SID 81)

This message is issued by the IDE to establish the communication link with the VU. Initial communications are always performed at 9 600 baud (until baud rate is eventually changed using the appropriate Link control services).

2.2.2.2. Positive response start communication (SID C1)

This message is issued by the VU to answer positively to a start communication request. It includes the 2 key bytes [^{F10}'EA' '8F'] indicating that the unit supports protocol with header including target source and length information.

2.2.2.3. Start diagnostic session request (SID 10)

The start diagnostic session request message is issued by the IDE in order to request a new diagnostic session with the VU. The sub function 'default session' (81 Hex) indicates a standard diagnostic session is to be opened.

2.2.2.4. Positive response start diagnostic (SID 50)

The positive response start diagnostic message is sent by the VU to answer positively to Diagnostic Session Request.

2.2.2.5. Link control service (SID 87)

The link control service is used by the IDE to initiate a change in baud rate. This takes place in two steps. In step one the IDE proposes the baud rate change, indicating the new rate. On receipt of a positive message from the VU the IDE sends out confirmation of the baud rate change to the VU (step two). The IDE then changes to the new baud rate. After receipt of the confirmation the VU changes to the new baud rate

2.2.2.6. Link control positive response (SID C7)

Status: Point in time view as at 22/02/2016.

Changes to legislation: There are currently no known outstanding effects for the Council Regulation (EEC) No 3821/85, ANNEX I B. (See end of Document for details)

The link control positive response is issued by the VU to answer positively to Link Control Service request (step one). Note that no response is given to the confirmation request (step two).

2.2.2.7. Request upload (SID 35)

The request upload message is issued by the IDE to specify to the VU that a download operation is requested. To meet the requirements of ISO14229 data is included covering address, the size and format details for the data requested. As these are not known to the IDE prior to a download, the memory address is set to 0, format is unencrypted and uncompressed and the memory size is set to the maximum.

2.2.2.8. Positive response request upload (SID 75)

The positive response request upload message is sent by the VU to indicate to the IDE that the VU is ready to download data. To meet the requirements of ISO 14229 data is included in this positive response message, indicating to the IDE that further positive response transfer data messages will include 00FF hex bytes maximum.

2.2.2.9. Transfer data request (SID 36)

The transfer data request is sent by the IDE to specify to the VU the type of data that are to be downloaded. A one byte transfer request parameter (TRTP) indicates the type of transfer.

There are six types of data transfer:

- overview (TRTP 01),
- activities of a specified date (TRTP 02),
- events and faults (TRTP 03),
- detailed speed (TRTP 04),
- technical data (TRTP 05),
- card download (TRTP 06).

It is mandatory for the IDE to request the overview data transfer (TRTP 01) during a download session as this only will ensure that the VU certificates are recorded within the downloaded file (and allow for verification of digital signature).

In the second case (TRTP 02) the transfer data request message includes the indication of the calendar day *TimeReal* format) to be downloaded.

2.2.2.10. Positive response transfer data (SID 76)

The positive response transfer data is sent by the VU in response to the transfer data request. The message contains the requested data, with a transfer response parameter (TREP) corresponding to the TRTP of the request.

In the first case (TREP 01), the VU will send data helping the IDE operator to choose the data he wants to download further. The information contained within this message is:

- security certificates,
- vehicle identification,
- VU current date and time,
- minimum and maximum downloadable date (VU data),
- indication of cards presence in the VU,
- previous download to a company,
- company locks,
- previous controls.

Status: Point in time view as at 22/02/2016.

Changes to legislation: There are currently no known outstanding effects for the Council Regulation (EEC) No 3821/85, ANNEX I B. (See end of Document for details)

2.2.2.11. Request transfer exit (SID 37)

The request transfer exit message is sent by the IDE to inform the VU that the download session is terminated.

2.2.2.12. Positive response request transfer exit (SID 77)

The positive response request transfer exit message is sent by the VU to acknowledge the Request Transfer Exit.

2.2.2.13. Stop communication request (SID 82)

The stop communication request message is sent by the IDE to disconnect the communication link with the VU.

2.2.2.14. Positive response stop communication (SID C2)

The positive response stop communication message is sent by the VU to acknowledge the stop communication request.

2.2.2.15. Acknowledge submessage (SID 83)

The acknowledge sub message is sent by the IDE to confirm receipt of each part of a message that is being transmitted as several submessages. The data field contains the SID received from the VU and a 2-byte code as follows:

- MsgC +1 Acknowledges correct receipt of submessage number MsgC.
- Request from the IDE to the VU to send next submessage,
- MsgC indicates a problem with the receipt of submessage number MsgC.
- Request from the IDE to the VU to send the submessage again,
- FFFF requests termination of the message.

This can be used by the IDE to end the transmission of the VU message for any reason.

The last submessage of a message (LEN byte < 255) may be acknowledged using any of these codes or not acknowledged.

The VU responses that will consist of several sub messages are:

- positive response transfer Data (SID 76)

2.2.2.16. Negative Response (SID 7F)

The negative response message is sent by the VU in response to the above request messages when the VU cannot satisfy the request. The data fields of the message contains the SID of the response (7F), the SID of the request, and a code specifying the reason of the negative response. The following codes are available:

- 10 general reject
 - The action cannot be performed for a reason not covered below
- 11 service not supported
 - The SID of the request is not understood
- 12 sub function not supported
 - The DS_ or TRTP of the request is not understood, or there are no further sub messages to be transmitted

Status: Point in time view as at 22/02/2016.

Changes to legislation: There are currently no known outstanding effects for the Council Regulation (EEC) No 3821/85, ANNEX I B. (See end of Document for details)

- 13 incorrect message length
The length of the received message is wrong
- 22 conditions not correct or request sequence error
The required service is not active or the sequence of request messages is not correct
- 31 request out of range
The request parameter record (data field) is not valid
- 50 upload not accepted
The request cannot be performed (VU in a non appropriate mode of operation or internal fault of the VU)
- 78 response pending
The action requested cannot be completed in time and the VU is not ready to accept another request
- FA data not available
The data object of a data transfer request are not available in the VU (e.g. no card is inserted, ...)

2.2.3. Message flow

A typical message flow during a normal data download procedure is the following:

| IDE | | [^{X1} VU] |
|----------------------------------|---|------------------------------------|
| Start communication request | ⇒ | |
| | ⇐ | Positive response |
| Start diagnostic service request | ⇒ | |
| | ⇐ | Positive response |
| Request upload | ⇒ | |
| | ⇐ | Positive response |
| Transfer data request overview | ⇒ | |
| | ⇐ | [^{X1} Positive response] |
| Data request #2 | ⇒ | |
| | ⇐ | Positive response #1 |

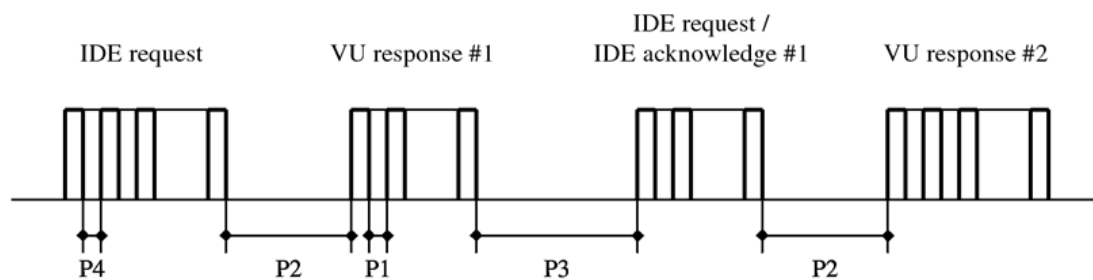
Status: Point in time view as at 22/02/2016.

Changes to legislation: There are currently no known outstanding effects for the Council Regulation (EEC) No 3821/85, ANNEX I B. (See end of Document for details)

| | | |
|-----------------------------------|---|--|
| Acknowledge submessage #1 | ⇒ | |
| | ⇐ | Positive response #2 |
| Acknowledge submessage #2 | ⇒ | |
| | ⇐ | Positive response #m |
| Acknowledge submessage #m | ⇒ | |
| | ⇐ | Positive response (Data field < 255 Bytes) |
| Acknowledge submessage (optional) | ⇒ | |
| ... | | |
| Transfer data request #n | ⇒ | |
| | ⇐ | Positive response |
| Request transfer exit | ⇒ | |
| | ⇐ | Positive response |
| Stop communication request | ⇒ | |
| | ⇐ | Positive response |

2.2.4. Timing

During normal operation the timing parameters shown in the following figure are relevant:



Where:

P1 = Inter byte time for VU response.

Status: Point in time view as at 22/02/2016.

Changes to legislation: There are currently no known outstanding effects for the Council Regulation (EEC) No 3821/85, ANNEX I B. (See end of Document for details)

- P2 = Time between end of IDE request and start of VU response, or between end of IDE acknowledge and start of next VU response.
P3 = Time between end of VU response and start of new IDE request, or between end of VU response and start of IDE acknowledge, or between end of IDE request and start of new IDE request if VU fails to respond.
P4 = Inter byte time for IDE request.
P5 = Extended value of P3 for card downloading.

The allowed values for the timing parameters are showed in the following table (KWP extended timing parameters set, used in case of physical addressing for faster communication).

| TimingParameter | Lower limitValue (ms) | Upper limit value (ms) |
|-----------------|-----------------------|------------------------|
| P1 | 0 | 20 |
| P2 | 20 | 1 000 ^a |
| P3 | 10 | 5 000 |
| P4 | 5 | 20 |
| P5 | 10 | 20 minutes |

^a If the VU responds with a negative response containing a code meaning 'request correctly received, response pending', this value is extended to the same upper limit value of P3.

2.2.5. Error handling

If an error occurs during the message exchange, the message flow scheme is modified depending on which equipment has detected the error and on the message generating the error.

In Figure 2 and Figure 3 the error handling procedures for the VU and the IDE are respectively shown.

2.2.5.1. Start communication phase

If the IDE detects an error during the Start Communication phase, either by timing or by the bit stream, then it will wait for a period P3 min before issuing again the request.

If the VU detects an error in the sequence coming from the IDE, it shall send no response and wait for another Start Communication Request message within a period P3 max.

2.2.5.2. Communication phase

Two different error handling areas can be defined:

1. **The VU detects an IDE transmission error.**

For every received message the VU shall detect timing errors, byte format errors (e.g. start and stop bit violations) and frame errors (wrong number of bytes received, wrong checksum byte).

If the VU detects one of the above errors, then it sends no response and ignores the message received.

The VU may detect other errors in the format or content of the received message (e.g. message not supported) even if the message satisfies the length and checksum requirements; in such a case, the VU shall respond to the IDE with a Negative Response message specifying the nature of the error.

Status: Point in time view as at 22/02/2016.

Changes to legislation: There are currently no known outstanding effects for the Council Regulation (EEC) No 3821/85, ANNEX I B. (See end of Document for details)

2. **The IDE detects a VU transmission error.**

For every received message the IDE shall detect timing errors, byte format errors (e.g. start and stop bit violations) and frame errors (wrong number of bytes received, wrong checksum byte).

The IDE shall detect sequence errors, e.g. incorrect sub message counter increments in successive received messages.

If the IDE detects an error or there was no response from the VU within a P2max period, the request message will be sent again for a maximum of three transmissions in total. For the purposes of this error detection a submessage acknowledge will be considered as a request to the VU.

The IDE shall wait at least for a period of P3min before beginning each transmission; the wait period shall be measured from the last calculated occurrence of a stop bit after the error was detected.

2.2.6. Response message content

This paragraph specifies the content of the data fields of the various positive response messages.

Data elements are defined in Appendix 1 data dictionary.

2.2.6.1. Positive response transfer data overview

The data field of the 'positive response transfer data overview' message shall provide the following data in the following order under the SID 76 Hex, the TREP 01 Hex and appropriate sub message splitting and counting:

Status: Point in time view as at 22/02/2016.

Changes to legislation: There are currently no known outstanding effects for the Council Regulation (EEC) No 3821/85, ANNEX I B. (See end of Document for details)

| Data element | Length (Bytes) | Comment |
|--|----------------|--|
| MemberStateCertificate | 194 | VU Security certificates |
| VUCertificate | 194 | |
| VehicleIdentificationNumber | 17 | Vehicle identification |
| VehicleRegistrationIdentification | 1 | |
| vehicleRegistrationNation vehicleRegistrationNumber | 14 | |
| CurrentDateTime | 4 | VU current date and time |
| VuDownloadablePeriod | | Downloadable period |
| minDownloadableTime maxDownloadableTime | 4 4 | |
| CardSlotsStatus | 1 | Type of cards inserted in the VU |
| VuDownloadActivityData | | Previous VU download |
| downloadingTime | 4 | |
| fullCardNumber companyOrWorkshopName | 18 36 | |
| VuCompanyLocksData | | All company locks stored. If the section is empty, only noOfLocks = 0 is sent. |
| noOfLocks | 1 | |
| ... | (98) | |
| Vu Company Locks Record | | |
| lockInTime | 4 | |
| lockOutTime | 4 | |
| companyName | 36 | |
| companyAddress | 36 | |
| companyCardNumber | 18 | |
| ... | | |
| VuControlActivityData | | All control records stored in the VU. If the section is empty, only noOfControls = 0 is sent. |
| noOfControls | 1 | |
| ... | (31) | |
| Vu Control Activity Record | | |
| controlType | 1 | |
| controlTime | 4 | |
| controlCardNumber | 18 | |
| downloadPeriodBeginTime | 4 | |
| downloadPeriodEndTime | 4 | |
| ... | | |
| Signature | 128 | RSA signature of all data (except certificates) starting from VehicleIdentificationNumber down to last byte of last VuControlActivityRecord. |

2.2.6.2. Positive response transfer data activities

The data field of the ‘positive response transfer data activities’ message shall provide the following data in the following order under the SID 76 Hex, the TREP 02 Hex and appropriate sub message splitting and counting:

Status: Point in time view as at 22/02/2016.

Changes to legislation: There are currently no known outstanding effects for the Council Regulation (EEC) No 3821/85, ANNEX I B. (See end of Document for details)

| Data element | Length (Bytes) | Comment |
|-----------------------------------|----------------|--|
| TimeReal | 4 | Date of day downloaded |
| OdometerValueMidnight | 3 | Odometer at end of downloaded day |
| VuCardIWData | | Cards insertion withdrawal cycles data. |
| noOfVuCardIWRecords | 2 | <p>— If this section contains no available data, only noOfVuCardIWRecords = 0 is sent.</p> <p>— When a VuCardIWRecord lies across 00:00 (card insertion on previous day) or across 24:00 (card withdrawal the following day) it shall appear in full within the two days involved.</p> |
| ... | (129) | |
| VuCardIWRecord | | |
| cardHolderName | 36 | |
| holderSurname | 36 | |
| holderFirstNames | 18 | |
| fullCardNumber | 4 | |
| cardExpiryDate | 4 | |
| cardInsertionTime | 3 | |
| vehicleOdometerValueAtInsertion | 1 | |
| cardSlotNumber | 4 | |
| cardWithdrawalTime | 3 | |
| vehicleOdometerValueAtWithdrawal | | |
| previousVehicleInfo | | |
| vehicleRegistrationIdentification | 1 | |
| vehicleRegistrationNation | 14 | |
| vehicleRegistrationNumber | 4 | |
| cardWithdrawalTime | 1 | |
| manualInputFlag | | |
| ... | | |
| VuActivityDailyData | | Slots status at 00:00 and activity changes recorded for the day downloaded. |
| noOfActivityChanges | 2 | |
| ... | | |
| ActivityChangeInfo | 2 | |
| ... | | |
| VuPlaceDailyWorkPeriodData | | Places related data recorded for the day downloaded. If the section is empty, only noOfPlaceRecords = 0 is sent. |
| noOfPlaceRecords | 1 | |
| ... | (28) | |
| VuPlaceDailyWorkPeriodRecord | | |
| fullCardNumber | 18 | |
| placeRecord | 4 | |
| entryTime | 1 | |
| entryTypeDailyWorkPeriod | 1 | |
| dailyWorkPeriodCountry | 1 | |
| dailyWorkPeriodRegion | 1 | |
| vehicleOdometerValue | 3 | |
| ... | | |
| VuSpecificConditionData | | Specific conditions data recorded for the day downloaded. If the section is empty, only noOfSpecificConditionRecords = 0 is sent |
| noOfSpecificConditionRecords | 2 | |
| ... | (5) | |
| SpecificConditionRecord | | |
| EntryTime | 4 | |
| specificConditionType | 1 | |
| ... | | |
| Signature | 128 | RSA signature of all data starting from TimeReal down to last byte of last specific condition record. |

Status: Point in time view as at 22/02/2016.

Changes to legislation: There are currently no known outstanding effects for the Council Regulation (EEC) No 3821/85, ANNEX I B. (See end of Document for details)

2.2.6.3. Positive response transfer data events and faults

The data field of the 'positive response transfer data events and faults' message shall provide the following data in the following order under the SID 76 Hex, the TREP 03 Hex and appropriate sub message splitting and counting:

Status: Point in time view as at 22/02/2016.

Changes to legislation: There are currently no known outstanding effects for the Council Regulation (EEC) No 3821/85, ANNEX I B. (See end of Document for details)

| Data element | | Length (Bytes) | Comment |
|---------------------------|-----------------------------|-------------------|--|
| VuFaultData | | | |
| NoOfVuFaults | | 1 | All faults stored or on-going in the VU. If the section is empty, only noOfVuFaults = 0 is sent. |
| ... | | (82) | |
| VuFaultRecord | FaultType | 1 | |
| | FaultRecordPurpose | 1 | |
| | FaultBeginTime | 4 | |
| | FaultEndTime | 4 | |
| | CardNumberDriverSlotBegin | 18 | |
| | cardNumberCodriverSlotBegin | 18 | |
| | CardNumberDriverSlotEnd | 18 | |
| CardNumberCodriverSlotEnd | 18 | | |
| ... | | | |
| VuEventData | | | |
| NoOfVuEvents | | 1 | All events (except over speeding) stored or on-going in the VU. If the section is empty, only noOfVuEvents = 0 is sent. |
| ... | | (83) | |
| VuEventRecord | EventType | 1 | |
| | EventRecordPurpose | 1 | |
| | EventBeginTime | 4 | |
| | EventEndTime | 4 | |
| | CardNumberDriverSlotBegin | 18 | |
| | cardNumberCodriverSlotBegin | 18 | |
| | CardNumberDriverSlotEnd | 18 | |
| | CardNumberCodriverSlotEnd | 18 | |
| SimilarEventsNumber | 1 | | |
| ... | | | |
| VuOverSpeedingControlData | | | |
| LastOverspeedControlTime | | 4 | Data related to last over speeding control (default value if no data). |
| FirstOverspeedSince | | 4 | |
| NumberOfOverspeedSince | | 1 | |
| VuOverSpeedingEventData | | | |
| NoOfVuOverSpeedingEvents | | 1 | All over speeding events stored in the VU. If the section is empty, only noOfVuOverSpeedingEvents = 0 is sent. |
| ... | | (31) | |
| VuOverSpeedingEventRecord | EventType | 1 | |
| | EventRecordPurpose | 1 | |
| | EventBeginTime | 4 | |
| | EventEndTime | 4 | |
| | MaxSpeedValue | 1 | |
| | AverageSpeedValue | 1 | |
| | CardNumberDriverSlotBegin | 18 | |
| | SimilarEventsNumber | 1 | |
| ... | | | |
| VuTimeAdjustmentData | | | |
| NoOfVuTimeAdjRecords | | 1 | All time adjustment events stored in the VU (outside the frame of a full calibration). If the section is empty, only noOfVuTimeAdjRecords = 0 is sent. |
| ... | | (98) | |
| VuTimeAdjustmentRecord | OldTimeValue | 4 | |
| | NewTimeValue | 4 | |
| | WorkshopName | 36 | |
| | WorkshopAddress | 36 | |
| | WorkshopCardNumber | 18 | |
| ... | | | |
| Signature | | 128 | RSA signature of all data starting from noOfVuFaults down to last byte of last time adjustment record. |

Status: Point in time view as at 22/02/2016.

Changes to legislation: There are currently no known outstanding effects for the Council Regulation (EEC) No 3821/85, ANNEX I B. (See end of Document for details)

2.2.6.4. Positive response transfer data detailed speed

The data field of the ‘positive response transfer data detailed speed’ message shall provide the following data in the following order under the SID 76 Hex, the TREP 04 Hex and appropriate sub message splitting and counterung:

| Data element | | Length (Bytes) | Comment |
|----------------------|--|----------------|--|
| VuDetailedSpeedData | | | |
| NoOfSpeedBlocks | | 2 | All detailed speed stored in the VU (one speed block per minute during which the vehicle has been moving) 60 speed values per minute (one per second). |
| ... | | | |
| VuDetailedSpeedBlock | SpeedBlockBeginDate speedsPerSecond | 4 60 | |
| ... | | | |
| Signature | | 128 | RSA signature of all data starting from noOfSpeedBlocks down to last byte of last speed block. |

2.2.6.5. Positive response transfer data technical data

The data field of the ‘positive response transfer data technical data’ message shall provide the following data in the following order under the SID 76 Hex, the TREP 05 Hex and appropriate sub message splitting and counting:

Status: Point in time view as at 22/02/2016.

Changes to legislation: There are currently no known outstanding effects for the Council Regulation (EEC) No 3821/85, ANNEX I B. (See end of Document for details)

| Data element | Length (Bytes) | Comment |
|-----------------------------------|-------------------------|---|
| VuIdentification | | |
| vuManufacturerName | 36 | |
| vuManufacturerAddress | 36 | |
| vuPartNumber | 16 | |
| vuSerialNumber | 8 | |
| vuSoftwareIdentification | | |
| vuSoftwareVersion | 4 | |
| vuSoftInstallationDate | 4 | |
| vuManufacturingDate | 4 | |
| vuApprovalNumber | 8 | |
| SensorPaired | | |
| sensorSerialNumber | 8 | |
| sensorApprovalNumber | 8 | |
| sensorPairingDateFirst | 4 | |
| VuCalibrationData | | All calibration records stored in the VU. |
| noOfVuCalibrationRecords | 1 | |
| ... | ► ⁽ⁿ⁾ (167)◀ | |
| VuCalibrationRecord | | |
| calibrationPurpose | 1 | |
| workshopName | 36 | |
| workshopAddress | 36 | |
| workshopCardNumber | 18 | |
| workshopCardExpiryDate | 4 | |
| vehicleIdentificationNumber | 17 | |
| vehicleRegistrationIdentification | | |
| vehicleRegistrationNation | 1 | |
| vehicleRegistrationNumber | 14 | |
| wVehicleCharacteristicConstant | 2 | |
| kConstantOfRecordingEquipment | 2 | |
| lTyreCircumference | 2 | |
| tyreSize | 15 | |
| authorisedSpeed | 1 | |
| oldOdometerValue | 3 | |
| newOdometerValue | 3 | |
| oldTimeValue | 4 | |
| newTimeValue | 4 | |
| nextCalibrationDate | 4 | |
| ... | | |
| Signature | 128 | RSA signature of all data starting from vuManufacturerName down to last byte of last VuCalibrationRecord. |

2.3. ESM File storage

When a download session has included a VU data transfer, the IDE shall store within one physical file all data received from the VU during the download session within positive response transfer data messages. Data stored excludes message headers, sub-message counters, empty sub-messages and checksums but include the SID and TREP (of the first sub-message only if several sub-messages).

3. TACHOGRAPH CARDS DOWNLOADING PROTOCOL

3.1. Scope

This paragraph describes the direct card data downloading of a tachograph card to an IDE. The IDE is not part of the secure environment; therefore no authentication between the card and the IDE is performed.

3.2. Definitions

Status: Point in time view as at 22/02/2016.

Changes to legislation: There are currently no known outstanding effects for the Council Regulation (EEC) No 3821/85, ANNEX I B. (See end of Document for details)

- Download session** : Each time a download of the ICC data is performed. The session covers the complete procedure from the reset of the ICC by an IFD until the deactivation of the ICC (withdraw of the card or next reset).
- Signed data file** : A file from the ICC. The file is transferred to the IFD in plain text. On the ICC the file is hashed and signed and the signature is transferred to the IFD.

3.3. Card downloading

The download of a tachograph card includes the following steps:

- download the common information of the card in the EFs *ICC* and *IC*. This information is optional and is not secured with a digital signature,
- Download the EFs *Card_Certificate* and *CA_Certificate*. This information is not secured with a digital signature,

It is mandatory to download these files for each download session.

- download the other application data EFs (within Tachograph DF) except EF *Card_Download*. This information is secured with a digital signature,
 - it is mandatory to download at least the EFs *Application_Identification* and *ID* for each download session,
 - when downloading a driver card it is also mandatory to download the following EFs:
 - *Events_Data*,
 - *Faults_Data*,
 - *Driver_Activity_Data*,
 - *Vehicles_Used*,
 - *Places*,
 - *Control_Activity_Data*,
 - *Specific_Conditions*.
- When downloading a driver card, update the *LastCardDownload* date in EF *Card_Download*,
- When downloading a workshop card, reset the calibration counter in EF *Card_Download*.

3.3.1. Initialisation sequence

The IDE shall initiate the sequence as follows:

| Card | Direction | IDE/IFD | Meaning/Remarks |
|------|-----------|----------------|-----------------|
| | ⇐ | Hardware reset | |
| ATR | ⇒ | | |

It is optional to use PPS to switch to a higher baudrate as long as the ICC supports it.

3.3.2. Sequence for unsigned data files

The sequence to download the *ICC*, *IC*, *Card_Certificate* and *CA_Certificate* is as follows:

| Card | Direction | IDE/IFD | Meaning/Remarks |
|------|-----------|---------|-----------------|
|------|-----------|---------|-----------------|

Status: Point in time view as at 22/02/2016.

Changes to legislation: There are currently no known outstanding effects for the Council Regulation (EEC) No 3821/85, ANNEX I B. (See end of Document for details)

| | | | |
|--------------|---|-------------------|---|
| | ↶ | Select file | Select file select by file identifiers |
| OK | ↷ | | |
| | ↶ | Read Binary | If the file contains more data than the buffer size of the reader or the card the command has to be repeated until the complete file is read. |
| File data OK | ↷ | Store data to ESM | according to 3.4, (Data storage format) |

Note: Before selecting the *Card_Certificate* EF, the Tachograph Application must be selected (selection by AID).

3.3.3. Sequence for signed data files

The following sequence shall be used for each of the following files that has to be downloaded with their signature:

| Card | Direction | IDE/IFD | Meaning/Remarks |
|---|-----------|----------------------|--|
| | ↶ | Select File | |
| OK | ↷ | | |
| | ↶ | Perform hash of File | Calculates the hash value over the data content of the selected file using the prescribed hash algorithm in accordance with Appendix 11. This command is not an ISO-Command. |
| Calculate hash of file and store hash value temporarily | | | |
| OK | ↷ | | |
| | ↶ | Read Binary | If the file contains more data than the buffer of the reader or the card can hold, the command has to |

Status: Point in time view as at 22/02/2016.

Changes to legislation: There are currently no known outstanding effects for the Council Regulation (EEC) No 3821/85, ANNEX I B. (See end of Document for details)

| | | | |
|--|---|--|--|
| | | | be repeated until the complete file is read. |
| File Data OK | ⇒ | Store received data to ESM | according to 3.4, (Data storage format) |
| | ⇐ | PSO: Compute digital signature | |
| Perform security operation 'compute digital signature' using the temporarily stored hash value | | | |
| Signature OK | ⇒ | Append data to the previous stored data on the ESM | according to 3.4, (Data storage format) |

3.3.4. Sequence for resetting the calibration counter

The sequence to reset the *NoOfCalibrationsSinceDownload* counter in the EF *Card_Download* in a workshop card is the following:

| Card | Direction | IDE/IFD | Meaning/Remarks |
|--------------------------------|-----------|--|-------------------------------|
| | ⇐ | Select File EF <i>Card_Download</i> | Select by file identifiers |
| OK | ⇒ | | |
| | ⇐ | Update Binary <i>NoOfCalibrationsSinceDownload</i> = '00 00' | |
| Resets card download number | | | |
| OK | ⇒ | | |

3.4. Data storage format

3.4.1. Introduction

The downloaded data has to be stored according to the following conditions:

- the data shall be stored transparent. This means that the order of the bytes as well as the order of the bits inside the byte that are transferred from the card has to be preserved during storage,
- all files of the card downloaded within a download session are stored in one file on the ESM.

3.4.2. File format

The file format is a concatenation of several TLV objects.

Status: Point in time view as at 22/02/2016.

Changes to legislation: There are currently no known outstanding effects for the Council Regulation (EEC) No 3821/85, ANNEX I B. (See end of Document for details)

The tag for an EF shall be the FID plus the appendix '00'.

The tag of an EF's signature shall be the FID of the file plus the appendix '01'.

The length is a two byte value. The value defines the number of bytes in the value field. The value 'FF FF' in the length field is reserved for future use.

When a file is not downloaded nothing related to the file shall be stored (no tag and no zero length).

A signature shall be stored as the next TLV object directly after the TLV object that contains the data of the file.

| Definition | Meaning | Length |
|-----------------------|------------------------------|---------|
| FID (2 Bytes) '00' | Tag for EF (FID) | 3 Bytes |
| FID (2 Bytes) '01' | Tag for Signature of EF(FID) | 3 Bytes |
| xx xx | Length of value field | 2 Bytes |

Example of data in a download file on an ESM:

| Tag | Length | Value |
|----------|--------|--------------------------------------|
| 00 02 00 | 00 11 | Data of EF <i>ICC</i> |
| C1 00 00 | 00 C2 | Data of EF <i>Card_Certificate</i> |
| | | ... |
| 05 05 00 | 0A 2E | Data of EF <i>Vehicles_Used</i> |
| 05 05 01 | 00 80 | Signature of EF <i>Vehicles_Used</i> |

4. DOWNLOADING A TACHOGRAPH CARD VIA A VEHICLE UNIT

The VU must allow for downloading the content of a driver card inserted to a connected IDE.

The IDE shall send a 'transfer data request card download' message to the VU to initiate this mode (see 2.2.2.9).

The VU shall then download the whole card, file by file, in accordance with the card downloading protocol defined in paragraph 3, and forward all data received from the card to the IDE within the appropriate TLV file format (see 3.4.2) and encapsulated within a 'positive response transfer data' message.

The IDE shall retrieve card data from the 'positive response transfer data' message (stripping all headers, SIDs, TREPs, submessage counters, and checksums) and store them within one physical file as described in paragraph 2.3.

The VU shall then, as applicable, update the *Control_Activity_Data* or the *Card_Download* file of the driver card.

Status: Point in time view as at 22/02/2016.

Changes to legislation: There are currently no known outstanding effects for the Council Regulation (EEC) No 3821/85, ANNEX I B. (See end of Document for details)

Appendix 8

CALIBRATION PROTOCOL

1. INTRODUCTION

This appendix describes how data is exchanged between a vehicle unit and a tester via the K-line which forms part of the calibration interface described in Appendix 6. It also describes control of the input/output signal line on the calibration connector.

Establishing K-line communications is described in Section 4 ‘Communication Services’.

This appendix uses the idea of diagnostic ‘sessions’ to determine the scope of K-line control under different conditions. The default session is the ‘StandardDiagnosticSession’ where all data can be read from a vehicle unit but no data can be written to a vehicle unit.

Selection of the diagnostic session is described in Section 5 ‘Management Services’.

The ‘ECUProgrammingSession’ allows data entry into the vehicle unit. In the case of entry of calibration data (requirements 097 and 098), the vehicle unit must, in addition be in the CALIBRATION mode of operation.

Data transfer via K-line is described in Section 6 ‘Data Transmission Services’. Formats of data transferred are detailed in Section 8 ‘dataRecords formats’.

The ‘ECUAdjustmentSession’ allows the selection of the I/O mode of the calibration I/O signal line via the K-line interface. Control of the calibration I/O signal line is described in section 7 ‘Control of Test Pulses — Input/Output Control functional unit’.

Throughout this document the address of the tester is referred to as ‘tt’. Although there may be preferred addresses for testers, the VU shall respond correctly to any tester address. The physical address of the VU is 0xEE.

2. TERMS, DEFINITIONS AND REFERENCES

The protocols, messages and error codes are principally based on the current draft to date of ISO 14229-1 (Road vehicles — Diagnostic systems — Part 1: Diagnostic services, version 6 of 22 February 2001).

Byte encoding and hexadecimal values are used for the service identifiers, the service requests and responses, and the standard parameters.

The term ‘tester’ refers to the equipment used to enter programming/calibration data into the VU.

The terms ‘client’ and ‘server’ refer to the tester and the VU respectively.

The term ECU means ‘Electronic Control Unit’ and refers to the VU.

References:

ISO 14230-2 : Road Vehicles — Diagnostic Systems — Keyword Protocol 2000- Part 2: Data Link Layer. First edition: 1999. Vehicles — Diagnostic Systems.

3. OVERVIEW OF SERVICES

3.1. Services available

Status: Point in time view as at 22/02/2016.

Changes to legislation: There are currently no known outstanding effects for the Council Regulation (EEC) No 3821/85, ANNEX I B. (See end of Document for details)

The following table provides an overview of the services that will be available in the recording equipment and are defined in this document.

The table indicates the services that are available in an enabled diagnostic session.

- The first column lists the services that are available,
- the second column includes the section number in this appendix where of service is further defined,
- the third column assigns the assigns the service identifier values for request messages,
- the fourth column specifies the services of the ‘StandardDiagnosticSession’ (SD) which must be implemented in each VU,
- the fifth column specifies the services of the ‘ECUAdjustmentSession’ (ECUAS) which must be implemented to allow control of the I/O signal line in the front panel calibration connector of the VU,
- the sixth column specifies the services of the ‘ECUProgrammingSession’ (ECUPS) which must be implemented to allow for programming of parameters in the VU.

TABLE 1

Service Identifier value summary table

| Diagnostic Service Name | Section No | SID Req.Value | Diagnostic Sessions | | |
|--------------------------------|------------|---------------|---------------------|-------|-------|
| | | | SD | ECUAS | ECUPS |
| StartCommunication | | 81 | a | a | a |
| StopCommunication | | 82 | a | | |
| TesterPresent | 4.3 | 3E | a | a | a |
| StartDiagnosticSession | | 10 | a | a | a |
| SecurityAccess | 5.2 | 27 | a | a | a |
| ReadDataByIdentifier | | 22 | a | a | a |
| WriteDataByIdentifier | | 2E | | | a |
| InputOutputControlByIdentifier | | 2F | | a | |

a ■ This symbol indicates that the service is mandatory in this diagnostic session. No symbol indicates that this service is not allowed in this diagnostic session.

3.2. Response codes

Response codes are defined for each service.

4. COMMUNICATION SERVICES

Some services are necessary to establish and maintain communication. They do not appear on the application layer. The services available are detailed in the following table:

TABLE 2

Communication services

| Service name | Description |
|--------------|-------------|
|--------------|-------------|

Status: Point in time view as at 22/02/2016.

Changes to legislation: There are currently no known outstanding effects for the Council Regulation (EEC) No 3821/85, ANNEX I B. (See end of Document for details)

| | |
|--------------------|---|
| StartCommunication | The client requests to start a communication session with a server(s) |
| StopCommunication | The client requests to stop the current communication session |
| TesterPresent | The client indicates to the server that it is still present |

The StartCommunication Service is used for starting a communication. In order to perform any service, communication must be initialised and the communication parameters need to be appropriate for the desired mode.

4.1. StartCommunication Service

Upon receiving a StartCommunication indication primitive, the VU shall check if the requested communication link can be initialised under the present conditions. Valid conditions for the initialisation of a communication link are described in document ISO 14230-2.

Then the VU shall perform all actions necessary to initialise the communication link and send a StartCommunication response primitive with the positive response parameters selected.

If a VU that is already initialised (and has entered any diagnostic session) receives a new StartCommunication request (e.g. due to error recovery in the tester) the request shall be accepted and the VU shall be re-initialised.

If the communication link cannot be initialised for any reason, the VU shall continue operating as it was immediately prior to the attempt to initialise the communication link.

The StartCommunication Request message must be physically addressed.

Initialising the VU for services is performed through a 'fast initialisation' method,

- there is a bus-idle time prior to any activity,
- the tester then sends an initialisation pattern,
- all information which is necessary to establish communication is contained in the response of the VU.

After completion of the initialisation,

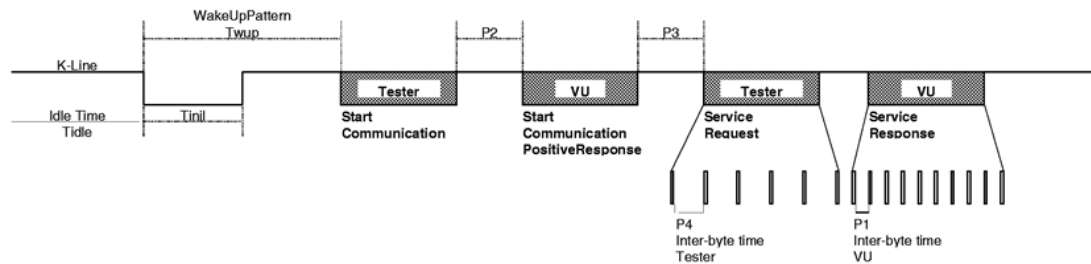
- all communication parameters are set to values defined in Table 4 according to the key bytes,
- the VU is waiting for the first request of the tester,
- the VU is in the default diagnostic mode, i.e. StandardDiagnosticSession,
- the calibration I/O signal line is in the default state, i.e. disabled state.

The data rate on the K-line shall be 10 400 Baud.

The fast initialisation is started by the tester transmitting a wake-up pattern (Wup) on the K-line. The pattern begins after the idle time on K-line with a low time of T_{inil} . The tester transmits the first bit of the StartCommunication Service after a time of T_{wup} following the first falling edge.

Status: Point in time view as at 22/02/2016.

Changes to legislation: There are currently no known outstanding effects for the Council Regulation (EEC) No 3821/85, ANNEX I B. (See end of Document for details)



The timing values for the fast initialisation and communications in general are detailed in the tables below. There are different possibilities for the idle time:

- first transmission after power on, $T_{idle} = 300$ ms.
- after completion of a StopCommunication Service, $T_{idle} = P3$ min.
- [^{X1}After stopping communication by time-out $P3$ max, $T_{idle} = 0$.]

TABLE 3

Timing values for fast initialisation

| Parameter | | minimum value | maximum value |
|-----------|---------------|---------------|---------------|
| Tinil | 25 ± 1 ms | 24 ms | 26 ms |
| Twup | 50 ± 1 ms | 49 ms | 51 ms |

TABLE 4

Communication timing values

| Timing parameter | Parameter description | Lower limit values (ms) | Upper limit values (ms) |
|------------------|--|-------------------------|-------------------------|
| | | minimum | maximum |
| P1 | Inter byte time for VU response | 0 | 20 |
| P2 | Time between tester request and VU response or two VU responses | 25 | 250 |
| P3 | Time between end of VU responses and start of new tester request | 55 | 5 000 |
| P4 | Inter byte time for tester request | 5 | 20 |

The message format for fast initialisation is detailed in the following tables:

TABLE 5

StartCommunication request message

| Byte # | Parameter Name | Hex value | Mnemonic |
|--------|----------------|-----------|----------|
|--------|----------------|-----------|----------|

Status: Point in time view as at 22/02/2016.

Changes to legislation: There are currently no known outstanding effects for the Council Regulation (EEC) No 3821/85, ANNEX I B. (See end of Document for details)

| | | | |
|----|---------------------------------------|-------|-----|
| #1 | Format byte — physical addressing | 81 | FMT |
| #2 | Target address byte | EE | TGT |
| #3 | Source address byte | tt | SRC |
| #4 | StartCommunication Request Service | 81 | SCR |
| #5 | Checksum | 00-FF | CS |

TABLE 6

StartCommunication positive response message

| Byte # | Parameter Name | Hex value | Mnemonic |
|--------|---|-----------|----------|
| #1 | Format byte — physical addressing | 80 | FMT |
| #2 | Target address byte | tt | TGT |
| #3 | Source address byte | EE | SRC |
| #4 | Additional length byte | 03 | LEN |
| #5 | StartCommunication Positive Response Service Id | C1 | SCRPR |
| #6 | Key byte 1 | EA | KB1 |
| #7 | Key byte 2 | 8F | KB2 |
| #8 | Checksum | 00-FF | CS |

There is no negative response to the StartCommunication Request message, if there is no positive response message to be transmitted then the VU is not initialised, nothing is transmitted and it remains in its normal operation.

4.2. StopCommunication service

4.2.1. Message description

The purpose of this communication layer service is to terminate a communication session.

Upon receiving a StopCommunication indication primitive, the VU shall check if the current conditions allow to terminate this communication. In this case the VU shall perform all actions necessary to terminate this communication.

If it is possible to terminate the communication, the VU shall issue a StopCommunication response primitive with the Positive Response parameters selected, before the communication is terminated.

If the communication cannot be terminated by any reason, the VU shall issue a StopCommunication response primitive with the Negative Response parameter selected.

If time -out of P3max is detected by the VU, the communication shall be terminated without any response primitive being issued.

Status: Point in time view as at 22/02/2016.

Changes to legislation: There are currently no known outstanding effects for the Council Regulation (EEC) No 3821/85, ANNEX I B. (See end of Document for details)

4.2.2. Message format

The message formats for the StopCommunication primitives are detailed in the following tables:

TABLE 7

StopCommunication request message

| Byte # | Parameter Name | Hex value | Mnemonic |
|--------|--------------------------------------|-----------|----------|
| #1 | Format byte — physical addressing | 80 | FMT |
| #2 | Target address byte | EE | TGT |
| #3 | Source address byte | tt | SRC |
| #4 | Additional length byte | 01 | LEN |
| #5 | StopCommunication Request Service Id | 82 | SPR |
| #6 | Checksum | 00-FF | CS |

TABLE 8

StopCommunication positive response message

| Byte # | Parameter Name | Hex value | Mnemonic |
|--------|---|-----------|----------|
| #1 | Format byte — physical addressing | 80 | FMT |
| #2 | Target address byte | tt | TGT |
| #3 | Source address byte | EE | SRC |
| #4 | Additional length byte | 01 | LEN |
| #5 | StopCommunication Positive Response Service | C2 | SPRPR |
| #6 | Checksum | 00-FF | CS |

TABLE 9

StopCommunication negative response message

| Byte # | Parameter Name | Hex value | Mnemonic |
|--------|-----------------------------------|-----------|----------|
| #1 | Format byte — physical addressing | 80 | FMT |
| #2 | Target address byte | tt | TGT |
| #3 | Source address byte | EE | SRC |
| #4 | Additional length byte | 03 | LEN |

Status: Point in time view as at 22/02/2016.

Changes to legislation: There are currently no known outstanding effects for the Council Regulation (EEC) No 3821/85, ANNEX I B. (See end of Document for details)

| | | | |
|----|--|-------|-------|
| #5 | negative Response Service Id | 7F | NR |
| #6 | StopCommunication Request Service Identification | 82 | SPR |
| #7 | responseCode = generalReject | 10 | RC_GR |
| #8 | Checksum | 00-FF | CS |

4.2.3. Parameter definition

This service does not require any parameter definition.

4.3. TesterPresent service

4.3.1. Message description

The TesterPresent service is used by the tester to indicate to the server that it is still present, in order to prevent the server from automatically returning to normal operation and possibly stopping the communication. This service, sent periodically, keeps the diagnostic session/communication active by resetting the P3 timer each time a request for this service is received.

4.3.2. Message format

The message formats for the TesterPresent primitives are detailed in the following tables.

TABLE 10

TesterPresent request message

| Byte # | Parameter Name | Hex value | Mnemonic |
|--------|--|-----------|-------------------------|
| #1 | Format byte — physical addressing | 80 | FMT |
| #2 | Target address byte | EE | TGT |
| #3 | Source address byte | tt | SRC |
| #4 | Additional length byte | 02 | LEN |
| #5 | TesterPresent Request Service Id | 3E | TP |
| #6 | Sub Function = responseRequired = [yes no] | 01 02 | RESPREQ_Y RESPREQ_NO |
| #7 | Checksum | 00-FF | CS |

If the responseRequired parameter is set to 'yes', then the server shall respond with the following positive response message. If set to 'no', then no response is sent by the server.

Status: Point in time view as at 22/02/2016.

Changes to legislation: There are currently no known outstanding effects for the Council Regulation (EEC) No 3821/85, ANNEX I B. (See end of Document for details)

TABLE 11

TesterPresent positive response message

| Byte # | Parameter Name | Hex value | Mnemonic |
|--------|--|-----------|----------|
| #1 | Format byte — physical addressing | 80 | FMT |
| #2 | Target address byte | tt | TGT |
| #3 | Source address byte | EE | SRC |
| #4 | Additional length byte | 01 | LEN |
| #5 | TesterPresent Positive Response Service Id | 7E | TPPR |
| #6 | Checksum | 00-FF | CS |

The service shall support the following negative responses codes:

TABLE 12

TesterPresent negative response message

| Byte # | Parameter Name | Hex value | Mnemonic |
|--------|---|-----------|----------------------|
| #1 | Format byte — physical addressing | 80 | FMT |
| #2 | Target address byte | tt | TGT |
| #3 | Source address byte | EE | SRC |
| #4 | Additional length byte | 03 | LEN |
| #5 | negative Response Service Id | 7F | NR |
| #6 | TesterPresent Request Service Identification | 3E | TP |
| #7 | responseCode = [SubFunctionNotSupported-InvalidFormat incorrectMessageLength] | 12 | RC_SFNS_IF RC_IML |
| #8 | Checksum | 00-FF | CS |

5. MANAGEMENT SERVICES

The services available are detailed in the following table:

TABLE 13

Management services

| Service name | Description |
|--------------|-------------|
|--------------|-------------|

Status: Point in time view as at 22/02/2016.

Changes to legislation: There are currently no known outstanding effects for the Council Regulation (EEC) No 3821/85, ANNEX I B. (See end of Document for details)

| | |
|------------------------|--|
| StartDiagnosticSession | The client requests to start a diagnostic session with a VU |
| SecurityAccess | The client requests access to functions restricted to authorised users |

5.1. StartDiagnosticSession service

5.1.1. Message description

The service StartDiagnosticSession is used to enable different diagnostic sessions in the server. A diagnostic session enables a specific set of services according to Table 17. A session can enable vehicle manufacturer specific services which are not part of this document. Implementation rules shall conform to the following requirements:

- there shall be always exactly one diagnostic session active in the VU,
- the VU shall always start the StandardDiagnosticSession when powered up. If no other diagnostic session is started, then the StandardDiagnosticSession shall be running as long as the VU is powered,
- if a diagnostic session which is already running has been requested by the tester, then the VU shall send a positive response message,
- whenever the tester requests a new diagnostic session, the VU shall first send a StartDiagnosticSession positive response message before the new session becomes active in the VU. If the VU is not able to start the requested new diagnostic session, then it shall respond with a StartDiagnosticSession negative response message, and the current session shall continue.

The diagnostic session shall only be started if communication has been established between the client and the VU.

The timing parameters defined in Table 4 shall be active after a successful StartDiagnosticSession with the diagnosticSession parameter set to 'StandardDiagnosticSession' in the request message if another diagnostic session was previously active.

5.1.2. Message format

The message formats for the StartDiagnosticSession primitives are detailed in the following tables:

TABLE 14

StartDiagnosticSession request message

| Byte # | Parameter Name | Hex value | Mnemonic |
|--------|---|-----------|----------|
| #1 | Format byte — physical addressing | 80 | FMT |
| #2 | Target address byte | EE | TGT |
| #3 | Source address byte | tt | SRC |
| #4 | Additional length byte | 02 | LEN |
| #5 | StartDiagnosticSession request service Id | 10 | STDS |

Status: Point in time view as at 22/02/2016.

Changes to legislation: There are currently no known outstanding effects for the Council Regulation (EEC) No 3821/85, ANNEX I B. (See end of Document for details)

| | | | |
|----|--|-------|---------|
| #6 | diagnosticSession = (one value from Table 17) | xx | DS_ ... |
| #7 | Checksum | 00-FF | CS |

TABLE 15

StartDiagnosticSession positive response message

| Byte # | Parameter Name | Hex value | Mnemonic |
|--------|---|-----------|----------|
| #1 | Format byte — physical addressing | 80 | FMT |
| #2 | Target address byte | tt | TGT |
| #3 | Source address byte | EE | SRC |
| #4 | Additional length byte | 02 | LEN |
| #5 | StartDiagnosticSession Positive Response Service Id | 50 | STDSPR |
| #6 | DiagnosticSession = (same value as in byte #6 Table 14) | xx | DS_ ... |
| #7 | Checksum | 00-FF | CS |

TABLE 16

StartDiagnosticSession negative response message

| Byte # | Parameter Name | Hex value | Mnemonic |
|--------|--|-----------|-------------------|
| #1 | Format byte — physical addressing | 80 | FMT |
| #2 | Target address byte | tt | TGT |
| #3 | Source address byte | EE | SRC |
| #4 | Additional length byte | 03 | LEN |
| #5 | Negative response service Id | 7F | NR |
| #6 | StartDiagnosticSession request service Id | 10 | STDS |
| #7 | ResponseCode = (subFunctionNotSupported ^a incorrectMessageLength ^b) | 12 | RC_SFNS RC_IML |

a The value inserted in byte #6 of the request message is not supported, i.e. not in Table 17.

b The length of the message is wrong.

c The criteria for the request StartDiagnosticSession are not met.

Status: Point in time view as at 22/02/2016.

Changes to legislation: There are currently no known outstanding effects for the Council Regulation (EEC) No 3821/85, ANNEX I B. (See end of Document for details)

| | | | |
|----|--|-------|--------|
| | conditionsNotCorrect ^{c)} | 22 | RC_CNC |
| #8 | Checksum | 00-FF | CS |
| a | The value inserted in byte #6 of the request message is not supported, i.e. not in Table 17. | | |
| b | The length of the message is wrong. | | |
| c | The criteria for the request StartDiagnosticSession are not met. | | |

5.1.3. Parameter definition

The parameter *diagnosticSession* (*DS*) is used by the StartDiagnosticSession service to select the specific behaviour of the server(s). The following diagnostic sessions are specified in this document:

TABLE 17

Definition of diagnosticSession values

| Hex | Description | Mnemonic |
|-----|---|----------|
| 81 | StandardDiagnosticSession This diagnostic session enables all services specified in Table 1 column 4 'SD'. These services allow reading of data from a server (VU). This diagnostic Session is active after the initialisation has been successfully completed between client (tester) and server (VU). This diagnostic session may be overwritten by other diagnostic sessions specified in this section. | SD |
| 85 | ECUProgrammingSession This diagnostic session enables all services specified in Table 1 column 6 'ECUPS'. These services support the memory programming of a server (VU) This diagnostic session may be overwritten by other diagnostic sessions specified in this section. | ECUPS |
| 87 | ECUAdjustmentSession This diagnostic session enables all services specified in Table 1 column 5 'ECUAS'. These services support the input/output control of a server (VU). | ECUAS |

Status: Point in time view as at 22/02/2016.

Changes to legislation: There are currently no known outstanding effects for the Council Regulation (EEC) No 3821/85, ANNEX I B. (See end of Document for details)

| |
|--|
| This diagnostic session may be overwritten by other diagnostic sessions specified in this section. |
|--|

5.2. SecurityAccess service

Writing of calibration data or access to the calibration input/output line is not possible unless the VU is in CALIBRATION mode. In addition to insertion of a valid workshop card into the VU, it is necessary to enter the appropriate PIN into the VU before access to the CALIBRATION mode is granted.

The SecurityAccess service provides a means to enter the PIN and to indicate to the tester whether or not the VU is in CALIBRATION mode.

It is acceptable that the PIN may be entered through alternative methods.

5.2.1. Message description

The SecurityAccess service consists of a SecurityAccess 'requestSeed' message, eventually followed by a SecurityAccess 'sendKey' message. The SecurityAccess service must be carried out after the StartDiagnosticSession service.

The tester shall use the SecurityAccess "requestSeed" message to check if the vehicle unit is ready to accept a PIN.

If the vehicle unit is already in CALIBRATION mode, it shall answer the request by sending a 'seed' of 0x0000 using the service SecurityAccess Positive Response.

If the vehicle unit is ready to accept a PIN for verification by a workshop card, it shall answer the request by sending a 'seed' greater than 0x0000 using the service SecurityAccess positive response.

If the vehicle unit is not ready to accept a PIN from the tester, either because the workshop card inserted is not valid, or because no workshop card has been inserted, or because the vehicle unit expects the PIN from another method, it shall answer the request with a negative response with a response code set to conditionsNotCorrectOrRequestSequenceError.

The tester shall then, eventually, use the SecurityAccess 'sendKey' message to forward a PIN to the Vehicle Unit. To allow time for the card authentication process to take place, the VU shall use the negative response code requestCorrectlyReceived-ResponsePending to extend the time to respond. However, the maximum time to respond shall not exceed five minutes. As soon as the requested service has been completed, the VU shall send a positive response message or negative response message with a response code different from this one. The negative response code requestCorrectlyReceived-ResponsePending may be repeated by the VU until the requested service is completed and the final response message is sent.

The vehicle unit shall answer to this request using the service SecurityAccess Positive Response only when in CALIBRATION mode.

In the following cases, the vehicle unit shall answer to this request with a Negative Response with a response code set to:

- subFunctionNot supported: invalid format for the subfunction parameter (accessType),
- conditionsNotCorrectOrRequestSequenceError: vehicle unit not ready to accept a PIN entry,

Status: Point in time view as at 22/02/2016.

Changes to legislation: There are currently no known outstanding effects for the Council Regulation (EEC) No 3821/85, ANNEX I B. (See end of Document for details)

- invalidKey: PIN not valid and number of PIN checks attempts not exceeded,
- exceededNumberOfAttempts: PIN not valid and number of PIN checks attempts exceeded,
- generalReject: Correct PIN but mutual authentication with workshop card failed.

5.2.2. Message format — SecurityAccess — requestSeed

The message formats for the SecurityAccess ‘requestSeed’ primitives are detailed in the following tables:

TABLE 18

SecurityAccess request — requestSeed message

| Byte # | Parameter Name | Hex value | Mnemonic |
|--------|-----------------------------------|-----------|----------|
| #1 | Format byte — physical addressing | 80 | FMT |
| #2 | Target address byte | EE | TGT |
| #3 | Source address byte | tt | SRC |
| #4 | Additional length byte | 02 | LEN |
| #5 | SecurityAccess request service Id | 27 | SA |
| #6 | accessType — requestSeed | 7D | AT_RSD |
| #7 | Checksum | 00-FF | CS |

TABLE 19

SecurityAccess — requestSeed positive response message

| Byte # | Parameter Name | Hex value | Mnemonic |
|--------|---|-----------|----------|
| #1 | Format byte — physical addressing | 80 | FMT |
| #2 | Target address byte | tt | TGT |
| #3 | Source address byte | EE | SRC |
| #4 | Additional length byte | 04 | LEN |
| #5 | SecurityAccess positive response service Id | 67 | SAPR |
| #6 | accessType — requestSeed | 7D | AT_RSD |
| #7 | Seed High | 00-FF | SEEDH |
| #8 | Seed Low | 00-FF | SEEDL |
| #9 | Checksum | 00-FF | CS |

Status: Point in time view as at 22/02/2016.

Changes to legislation: There are currently no known outstanding effects for the Council Regulation (EEC) No 3821/85, ANNEX I B. (See end of Document for details)

TABLE 20

SecurityAccess negative response message

| Byte # | Parameter Name | Hex value | Mnemonic |
|--------|---|-----------|------------------|
| #1 | Format byte — physical addressing | 80 | FMT |
| #2 | Target address byte | tt | TGT |
| #3 | Source address byte | EE | SRC |
| #4 | Additional length byte | 03 | LEN |
| #5 | negativeResponse Service Id | 7F | NR |
| #6 | SecurityAccess request service Id | 27 | SA |
| #7 | responseCode = (conditionsNotCorrectOrRequestSequenceErrorOrIncorrectMessageLength) | 22 | RC_CNC RC_IML |
| #8 | Checksum | 00-FF | CS |

5.2.3. Message format — SecurityAccess — sendKey

The message formats for the SecurityAccess ‘sendKey’ primitives are detailed in the following tables:

TABLE 21

SecurityAccess request — sendKey message

| Byte # | Parameter Name | Hex value | Mnemonic |
|------------|--|-----------|----------|
| #1 | Format byte — physical addressing | 80 | FMT |
| #2 | Target address byte | EE | TGT |
| #3 | Source address byte | tt | SRC |
| #4 | Additional length byte | m+2 | LEN |
| #5 | SecurityAccess Request Service Id | 27 | SA |
| #6 | accessType — sendKey | 7E | AT_SK |
| #7 to #m+6 | Key #1 (High) | xx | KEY |
| | ... | ... | |
| | Key #m (low, m must be a minimum of 4, and a maximum of 8) | xx | |

Status: Point in time view as at 22/02/2016.

Changes to legislation: There are currently no known outstanding effects for the Council Regulation (EEC) No 3821/85, ANNEX I B. (See end of Document for details)

| | | | |
|------|----------|-------|----|
| #m+7 | Checksum | 00-FF | CS |
|------|----------|-------|----|

TABLE 22

SecurityAccess — sendKey positive response message

| Byte # | Parameter Name | Hex value | Mnemonic |
|--------|---|-----------|----------|
| #1 | Format byte — physical addressing | 80 | FMT |
| #2 | Target address byte | tt | TGT |
| #3 | Source address byte | EE | SRC |
| #4 | Additional length byte | 02 | LEN |
| #5 | SecurityAccess positive response service Id | 67 | SAPR |
| #6 | accessType — sendKey | 7E | AT_SK |
| #7 | Checksum | 00-FF | CS |

TABLE 23

SecurityAccess negative response message

| Byte # | Parameter Name | Hex value | Mnemonic |
|--------|--|-----------|------------------|
| #1 | Format byte — physical addressing | 80 | FMT |
| #2 | Target address byte | tt | TGT |
| #3 | Source address byte | EE | SRC |
| #4 | Additional length byte | 03 | LEN |
| #5 | NegativeResponse Service Id | 7F | NR |
| #6 | SecurityAccess request service Id | 27 | SA |
| #7 | ResponseCode = (generalReject subFunctionNotSupported) | 10 12 | RC_GR RC_SFNS |
| | incorrectMessageLength | 13 | RC_IML |
| | conditionsNotCorrectOrRequestSequenceError | 22 | RC_CNC |
| | invalidKey | 35 | RC_IK |
| | exceededNumberOfAttempts | 36 | RC_ENA |
| | requestCorrectlyReceived (ResponsePending) | 78 | RC_RCR_RP |

Status: Point in time view as at 22/02/2016.

Changes to legislation: There are currently no known outstanding effects for the Council Regulation (EEC) No 3821/85, ANNEX I B. (See end of Document for details)

| | | | |
|----|----------|-------|----|
| #8 | Checksum | 00-FF | CS |
|----|----------|-------|----|

6. DATA TRANSMISSION SERVICES

The services available are detailed in the following table:

TABLE 24

Data transmission services

| Service name | Description |
|-----------------------|---|
| ReadDataByIdentifier | The client requests the transmission of the current value of a record with access by recordDataIdentifier |
| WriteDataByIdentifier | The client requests to write a record accessed by recordDataIdentifier |

6.1. ReadDataByIdentifier service

6.1.1. Message description

The ReadDataByIdentifier service is used by the client to request data record values from a server. The data are identified by a recordDataIdentifier. It is the VU manufacturer's responsibility that the server conditions are met when performing this service.

6.1.2. Message format

The message formats for the ReadDataByIdentifier primitives are detailed in the following tables:

TABLE 25

ReadDataByIdentifier request message

| Byte # | Parameter Name | Hex value | Mnemonic |
|-----------|--|-----------|----------|
| #1 | Format byte — physical addressing | 80 | FMT |
| #2 | Target address byte | EE | TGT |
| #3 | Source address byte | tt | SRC |
| #4 | Additional length byte | 03 | LEN |
| #5 | ReadDataByIdentifier Request Service Id | 22 | RDBI |
| #6 and #7 | [^{x1} recordDataIdentifier = (a value from Table 8)] | xxxx | RDI_ ... |
| #8 | Checksum | 00-FF | CS |

Status: Point in time view as at 22/02/2016.

Changes to legislation: There are currently no known outstanding effects for the Council Regulation (EEC) No 3821/85, ANNEX I B. (See end of Document for details)

TABLE 26

ReadDataByIdentifier positive response message

| Byte # | Parameter Name | Hex value | Mnemonic |
|------------|---|-----------|-------------------------|
| #1 | Format byte — physical addressing | 80 | FMT |
| #2 | Target address byte | tt | TGT |
| #3 | Source address byte | EE | SRC |
| #4 | Additional length byte | m+3 | LEN |
| #5 | ReadDataByIdentifier Positive Response Service Id | 62 | RDBIPR |
| #6 and #7 | recordDataIdentifier = (the same value as bytes #6 and #7 Table 25) | xxxx | RDI_ ... |
| #8 to #m+7 | dataRecord() = (data#1 : data#m) | xx : xx | DREC_DATA1 : DREC_DATAm |
| #m+8 | Checksum | 00-FF | CS |

TABLE 27

ReadDataByIdentifier negative response message

| Byte # | Parameter Name | Hex value | Mnemonic |
|--------|--|-----------|-------------------|
| #1 | Format byte — physical addressing | 80 | FMT |
| #2 | Target address byte | tt | TGT |
| #3 | Source address byte | EE | SRC |
| #4 | Additional length byte | 03 | LEN |
| #5 | NegativeResponse Service Id | 7F | NR |
| #6 | ReadDataByIdentifier Request Service Id | 22 | RDBI |
| #7 | ResponseCode = (requestOutOfRange incorrectMessageLength conditionsNotCorrect) | 31 13 | RC_ROOR RC_IML |
| | | 22 | RC_CNC |
| #8 | Checksum | 00-FF | CS |

Status: Point in time view as at 22/02/2016.

Changes to legislation: There are currently no known outstanding effects for the Council Regulation (EEC) No 3821/85, ANNEX I B. (See end of Document for details)

6.1.3. Parameter definition

The parameter `recordDataIdentifier` (RDI_) in the `ReadDataByIdentifier` request message identifies a data record.

`recordDataIdentifier` values defined by this document are shown in the table below.

The `recordDataIdentifier` table consists of four columns and multiple lines.

- The first column (Hex) includes the ‘hex value’ assigned to the `recordDataIdentifier` specified in the third column.
- The second column (Data element) specifies the data element of Appendix 1 on which the `recordDataIdentifier` is based (transcoding is sometimes necessary).
- The third column (Description) specifies the corresponding `recordDataIdentifier` name.
- The fourth column (Mnemonic) specifies the mnemonic of this `recordDataIdentifier`.

TABLE 28

Definition of `recordDataIdentifier` values

| Hex | Data element | <code>recordDataIdentifier</code> Name(see format in Section 8.2) | Mnemonic |
|------|--|---|-----------|
| F90B | <i>CurrentDateTime</i> | TimeDate | RDI_TD |
| F912 | <i>HighResOdometer</i> | HighResolutionTotalVehicleDistance | RDI_HRTVD |
| F918 | <i>K-ConstantOfRecordingEquipment</i> | Kfactor | RDI_KF |
| F91C | <i>L-TyreCircumference</i> | LfactorTyreCircumference | RDI_LF |
| F91D | <i>W-VehicleCharacteristicConstant</i> | WvehicleCharacteristicConstant | RDI_WVCF |
| F921 | <i>TyreSize</i> | TyreSize | RDI_TS |
| F922 | <i>nextCalibrationDate</i> | NextCalibrationDate | RDI_NCD |
| F92C | <i>SpeedAuthorised</i> | SpeedAuthorised | RDI_SA |
| F97D | <i>vehicleRegistrationNumber</i> | RegisteringMemberState | RDI_RMS |
| F97E | <i>VehicleRegistrationNumber</i> | VehicleRegistrationNumber | RDI_VRN |
| F190 | <i>VehicleIdentificationNumber</i> | MDr | RDI_VIN |

The parameter `dataRecord` (DREC_) is used by the `ReadDataByIdentifier` positive response message to provide the data record value identified by the `recordDataIdentifier` to the client (tester). Data formats are specified in Section 8. Additional user optional dataRecords including VU specific input, internal and output data may be implemented, but are not defined in this document.

6.2. WriteDataByIdentifier service

6.2.1. Message description

Status: Point in time view as at 22/02/2016.

Changes to legislation: There are currently no known outstanding effects for the Council Regulation (EEC) No 3821/85, ANNEX I B. (See end of Document for details)

The WriteDataByIdentifier service is used by the client to write data record values to a server. The data are identified by a recordDataIdentifier. It is the VU manufacturer's responsibility that the server conditions are met when performing this service. To update the parameters listed in Table 28 the VU must be in CALIBRATION mode.

6.2.2. Message format

The message formats for the WriteDataByIdentifier primitives are detailed in the following tables:

TABLE 29

WriteDataByIdentifier request message

| Byte # | Parameter Name | Hex value | Mnemonic |
|------------|--|-----------|-------------------------|
| #1 | Format byte — physical addressing | 80 | FMT |
| #2 | Target address byte | EE | TGT |
| #3 | Source address byte | tt | SRC |
| #4 | Additional length byte | m+3 | LEN |
| #5 | WriteDataByIdentifier request service Id | 2E | WDBI |
| #6 and #7 | recordDataIdentifier = (a value from Table 28) | xxxx | RDI_ ... |
| #8 to #m+7 | dataRecord() = (data#1 : data#m) | xx : xx | DREC_DATA1 : DREC_DATAm |
| #m+8 | Checksum | 00-FF | CS |

TABLE 30

WriteDataByIdentifier positive response message

| Byte # | Parameter Name | Hex value | Mnemonic |
|-----------|--|-----------|----------|
| #1 | Format byte — physical addressing | 80 | FMT |
| #2 | Target address byte | tt | TGT |
| #3 | Source address byte | EE | SRC |
| #4 | Additional length byte | 03 | LEN |
| #5 | WriteDataByIdentifier positive response service Id | 6E | WDBIPR |
| #6 and #7 | recordDataIdentifier = (the same value as | xxxx | RDI_ ... |

Status: Point in time view as at 22/02/2016.

Changes to legislation: There are currently no known outstanding effects for the Council Regulation (EEC) No 3821/85, ANNEX I B. (See end of Document for details)

| | | | |
|----|---------------------------|-------|----|
| | bytes #6 and #7 Table 29) | | |
| #8 | Checksum | 00-FF | CS |

TABLE 31

WriteDataByIdentifier negative response message

| Byte # | Parameter Name | Hex value | Mnemonic |
|--------|--|----------------|-----------------------------|
| #1 | Format byte — physical addressing | 80 | FMT |
| #2 | Target address byte | tt | TGT |
| #3 | Source address byte | EE | SRC |
| #4 | Additional length byte | 03 | LEN |
| #5 | NegativeResponse Service Id | 7F | NR |
| #6 | WriteDataByIdentifier request service Id | 2E | WDBI |
| #7 | ResponseCode = (requestOutOfRange incorrectMessageLength conditionsNotCorrect) | 31 13 22 | RC_ROOR RC_IML RC_CNC |
| | | | |
| #8 | Checksum | 00-FF | CS |

6.2.3. Parameter definition

The parameter recordDataIdentifier (RDI_) is defined in Table 28.

The parameter dataRecord (DREC_) is used by the WriteDataByIdentifier request message to provide the data record values identified by the recordDataIdentifier to the server (VU). Data formats are specified in Section 8.

7. CONTROL OF TEST PULSES — INPUT/OUTPUT CONTROL FUNCTIONAL UNIT

The services available are detailed in the following table:

TABLE 32

Input/Output control functional unit

| Service name | Description |
|--------------------------------|---|
| InputOutputControlByIdentifier | The client requests the control of an input/output specific to the server |

7.1. Message description

7.1.1. Message description

Status: Point in time view as at 22/02/2016.

Changes to legislation: There are currently no known outstanding effects for the Council Regulation (EEC) No 3821/85, ANNEX I B. (See end of Document for details)

There is a connection via the front connector which allows test pulses to be controlled or monitored using a suitable tester.

This calibration I/O signal line can be configured by K-line command using the InputOutputControlByIdentifier service to select the required input or output function for the line. The available states of the line are:

- disabled,
- speedSignalInput, where the calibration I/O signal line is used to input a speed signal (test signal) replacing the motion sensor speed signal,
- realTimeSpeedSignalOutputSensor, where the calibration I/O signal line is used to output the speed signal of the motion sensor,
- RTCOutput, where the calibration I/O signal line is used to output the UTC clock signal.

The vehicle unit must have entered an adjustment session and must be in CALIBRATION mode to configure the state of the line. On exit of the adjustment session or of the CALIBRATION mode the vehicle unit must ensure the calibration I/O signal line is returned to the ‘disabled’ (default) state.

If speed pulses are received at the real time speed signal input line of the VU while the calibration I/O signal line is set to input then the calibration I/O signal line shall be set to output or returned to the disabled state.

The sequence shall be:

- establish communications by StartCommunication Service
- enter an adjustment session by StartDiagnosticSession Service and be in CALIBRATION mode of operation (the order of these two operations is not important).
- change the state of the output by InputOutputControlByIdentifier Service.

7.1.2. Message format

The message formats for the InputOutputControlByIdentifier primitives are detailed in the following tables:

TABLE 33

InputOutputControlByIdentifier request message

| Byte # | Parameter name | Hex value | Mnemonic |
|--------|--|------------|----------|
| #1 | Format byte — physical addressing | 80 | FMT |
| #2 | Target address byte | EE | TGT |
| #3 | Source address byte | tt | SRC |
| #4 | Additional length byte | xx | LEN |
| #5 | InputOutputControlByIdentifier request Sid | Identifier | IOCBI |

Note: The controlState parameter is present only in some cases (see 7.1.3).

Status: Point in time view as at 22/02/2016.

Changes to legislation: There are currently no known outstanding effects for the Council Regulation (EEC) No 3821/85, ANNEX I B. (See end of Document for details)

| | | | |
|----------------|---|-------|-----------------------|
| #6 and #7 | InputOutputIdentifier = (CalibrationInputOutput) | F960 | IOI_CIO |
| #8 or #8 to #9 | ControlOptionRecord = (inputOutputControlParameter — one value from Table 36 | xx | COR_ ... IOCP_ ... |
| | controlState — one value from Table 38 (see note below)) | xx | CS_ ... |
| #9 or #10 | Checksum | 00-FF | CS |

Note: The controlState parameter is present only in some cases (see 7.1.3).

TABLE 34

InputOutputControlByIdentifier positive response message

| Byte # | Parameter Name | Hex value | Mnemonic |
|----------------|--|-----------|-------------------|
| #1 | Format byte — physical addressing | 80 | FMT |
| #2 | Target address byte | tt | TGT |
| #3 | Source address byte | EE | SRC |
| #4 | Additional length byte | xx | LEN |
| #5 | inputOutputControlByIdentifier positive response SID | 0E | IOCBIPR |
| #6 and #7 | inputOutputIdentifier = (CalibrationInputOutput) | F960 | IOI_CIO |
| #8 or #8 to #9 | controlStatusRecord = (inputOutputControlParameter (same value as byte #8 Table 33) | xx | CSR_ IOCP_ ... |
| | controlState (same value as byte #9 Table 33)) (if applicable) | xx | CS_ ... |
| #9 or #10 | Checksum | 00-FF | CS |

TABLE 35

InputOutputControlByIdentifier negative response message

| Byte # | Parameter Name | Hex value | Mnemonic |
|--------|----------------|-----------|----------|
|--------|----------------|-----------|----------|

Status: Point in time view as at 22/02/2016.

Changes to legislation: There are currently no known outstanding effects for the Council Regulation (EEC) No 3821/85, ANNEX I B. (See end of Document for details)

| | | | |
|----|--|-------|---------|
| #1 | Format byte — physical addressing | 80 | FMT |
| #2 | Target address byte | tt | TGT |
| #3 | Source address byte | EE | SRC |
| #4 | Additional length byte | 03 | LEN |
| #5 | negativeResponse Service Id | 7F | NR |
| #6 | inputOutputControlByIdentifier request SId | | IOCBI |
| #7 | responseCode = (incorrectMessageLength | 13 | RC_IML |
| | conditionsNotCorrect | 22 | RC_CNC |
| | requestOutOfRange | 31 | RC_ROOR |
| | deviceControlLimitsExceeded | 7A | RC_DCLE |
| #8 | Checksum | 00-FF | CS |

7.1.3. Parameter definition

The parameter inputOutputControlParameter (IOCP_) is defined in the following table:

TABLE 36

Definition of inputOutputControlParameter values

| Hex | Description | Mnemonic |
|-----|---|----------|
| 00 | ReturnControlToECU This value shall indicate to the server (VU) that the tester does no longer have control about the calibration I/O signal line. | RCTECU |
| 01 | ResetToDefault This value shall indicate to the server (VU) that it is requested to reset the calibration I/O signal line to its default state. | RTD |
| 03 | ShortTermAdjustment This value shall indicate to the server (VU) that it is requested to adjust the calibration I/O signal line to the value included in the controlState parameter. | STA |

Status: Point in time view as at 22/02/2016.

Changes to legislation: There are currently no known outstanding effects for the Council Regulation (EEC) No 3821/85, ANNEX I B. (See end of Document for details)

The parameter controlState is present only when the inputOutputControlParameter is set to ShortTermAdjustment and is defined in the following table:

TABLE 37

Definition of controlState values

| Mode | Hex value | Description |
|---------|-----------|--|
| Disable | 00 | I/O line is disabled (default state) |
| Enable | 01 | Enable calibration I/O line as speedSignalInput |
| Enable | 02 | Enable calibration I/O line as realTimeSpeedSignalOutputSensor |
| Enable | 03 | Enable calibration I/O line as RTCOutput |

8. DATARECORDS FORMATS

This section details:

- general rules that shall be applied to ranges of parameters transmitted by the vehicle unit to the tester,
- formats that shall be used for data transferred via the Data Transmission Services described in Section 6.

All parameters identified shall be supported by the VU.

Data transmitted by the VU to the tester in response to a request message shall be of the measured type (i.e. current value of the requested parameter as measured or observed by the VU).

8.1. Transmitted parameter ranges

Table 38 defines the ranges used to determine the validity of a transmitted parameter.

The values in the range ‘error indicator’ provide a means for the vehicle unit to immediately indicate that valid parametric data is not currently available due to some type of error in the recording equipment.

The values in the range ‘not available’ provide a means for the vehicle unit to transmit a message which contains a parameter that is not available or not supported in that module. The values in the range ‘not requested’ provide a means for a device to transmit a command message and identify those parameters where no response is expected from the receiving device.

If a component failure prevents the transmission of valid data for a parameter, the error indicator as described in Table 38 should be used in place of that parameter's data. However, if the measured or calculated data has yielded a value that is valid yet exceeds the defined parameter range, the error indicator should not be used. The data should be transmitted using the appropriate minimum or maximum parameter value.

TABLE 38

dataRecords ranges

Status: Point in time view as at 22/02/2016.

Changes to legislation: There are currently no known outstanding effects for the Council Regulation (EEC) No 3821/85, ANNEX I B. (See end of Document for details)

| Range Name | 1 byte(Hex value) | 2 bytes(Hex value) | 4 bytes(Hex value) | ASCII |
|--|-------------------|--------------------|----------------------|----------|
| Valid signal | 00 to FA | 0000 to FAFF | 00000000 to FFFFFFFF | 1 to 254 |
| Parameter specific indicator | FB | FB00 to FBFF | FB000000 to FBFFFFFF | none |
| Reserved range for future indicator bits | FC to FD | FC00 to FDFF | FC000000 to FDFFFFFF | none |
| Error indicator | FE | FE00 to FEFF | FE000000 to FEFFFFFF | 0 |
| Not available or not requested | FF | FF00 to FFFF | FF000000 to FFFFFFFF | FF |

For parameters coded in ASCII, the ASCII character ‘*’ is reserved as a delimiter.

8.2. dataRecords formats

[^{X1}Tables 39 to 42 below detail the formats that shall be used via the ReadDataByIdentifier and WriteDataByIdentifier Services.]

[^{X1}Table 39 provides the length, resolution and operating range for each parameter identified by its recordDataIdentifier]

TABLE 39

Format of dataRecords

| Parameter Name | Data length (bytes) | Resolution | Operating range |
|------------------------------------|---------------------|--|------------------------------------|
| TimeDate | 8 | See details in Table 40 | |
| HighResolutionTotalVehicleDistance | | 5 m/bit gain, 0 m offset | 0 to + 21 055 406 km |
| Kfactor | 2 | 0,001 pulse/m/bit gain, offset 0 | 0 to 64,255 pulse/m |
| LfactorTyreCircumference | | 0,125 10 ⁻³ /bit gain, 0 offset | [^{X1} 0 to 8,031 m] |
| WvehicleCharacteristicFactor | | 0,001 pulse/m/bit gain, 0 offset | 0 to 64,255 pulse/m |
| TyreSize | 15 | ASCII | ASCII |
| NextCalibrationDate | 3 | See details in Table 41 | |
| SpeedAuthorised | 2 | 1/256 km/h/bit gain, 0 offset | [^{X1} 0 to 250,996 km/h] |
| RegisteringMemberState | 3 | ASCII | ASCII |
| VehicleRegistrationNumber | | [^{X1} See details in Table 42] | |
| VIN | 17 | ASCII | ASCII |

Status: Point in time view as at 22/02/2016.

Changes to legislation: There are currently no known outstanding effects for the Council Regulation (EEC) No 3821/85, ANNEX I B. (See end of Document for details)

Table 40 details the formats of the different bytes of the TimeDate parameter:

TABLE 40

Detailed format of TimeDate ([^{F10}recordDataIdentifier value # F90B])

| Byte | Parameter definition | Resolution | Operating range |
|------|----------------------|--|----------------------------------|
| 1 | Seconds | 0,25 s/bit gain, 0 s offset | 0 to 59,75 s |
| 2 | Minutes | 1 min/bit gain, 0 min offset | 0 to 59 min |
| 3 | Hours | 1 h/bit gain, 0 h offset | 0 to 23 h |
| 4 | Month | 1 month/bit gain, 0 month offset | [^{X1} 1 to 12 month] |
| 5 | Day | 0,25 day/bit gain, 0 day offset (see Note below Table 41) | 0,25 to 31,75 day |
| 6 | Year | 1 year/bit gain, +1985 year offset (see Note below Table 41) | 1985 to 2235 year |
| 7 | Local Minute Offset | 1 min/bit gain, - 125 min offset | [^{F10} -59 to +59 min] |
| 8 | Local Hour Offset | 1 h/bit gain, [^{X1} - 125 h offset] | - 23 to + 23 h |

Table 41 details the formats of the different bytes of the NextCalibrationDate parameter:

TABLE 41

Detailed format of NextCalibrationDate ([^{F10}recordDataIdentifier value # F922])

| Byte | Parameter definition | Resolution | Operating range |
|------|----------------------|---|-------------------|
| 1 | Month | 1 month/bit gain, 0 month offset | 1 to 12 month |
| 2 | Day | 0,25 day/bit gain, 0 day offset (see Note below) | 0,25 to 31,75 day |
| 3 | Year | 1 Year/bit gain, +1985 year offset (see Note below) | 1985 to 2235 year |

Note concerning the use of the 'Day' parameter:

1. A value of 0 for the date is null. The values 1, 2, 3, and 4 are used to identify the first day of the month; 5, 6, 7, and 8 identify the second day of the month; etc.
2. This parameter does not influence or change the hours parameter above.

Note concerning the use of byte 'Year' parameter:

A value of 0 for the year identifies the year 1985; a value of 1 identifies 1986; etc.

Status: Point in time view as at 22/02/2016.

Changes to legislation: There are currently no known outstanding effects for the Council Regulation (EEC) No 3821/85, ANNEX I B. (See end of Document for details)

Table 42 details the formats of the different bytes of the VehicleRegistrationNumber parameter:

TABLE 42

Detailed format of VehicleRegistrationNumber ([^{F10}recordDataIdentifier value # F97E])

| Byte | Parameter definition | Resolution | Operating range |
|-------------|--|-------------------|------------------------|
| 1 | Code Page (as defined in Appendix 1) | ASCII | 01 to 0A |
| 2 to 14 | Vehicle Registration Number (as defined in Appendix 1) | ASCII | ASCII |

Status: Point in time view as at 22/02/2016.

Changes to legislation: There are currently no known outstanding effects for the Council Regulation (EEC) No 3821/85, ANNEX I B. (See end of Document for details)

Appendix 9

TYPE APPROVAL — LIST OF MINIMUM REQUIRED TESTS

1. INTRODUCTION

1.1. Type approval

The EEC type approval for a recording equipment (or component) or a tachograph card is based on:

- a security certification, performed by an ITSEC authority, against a security target fully compliant with Appendix 10 to this Annex,
- a functional certification performed by a Member State authority certifying that the item tested fulfils the requirements of this Annex in terms of functions performed, measurement accuracy and environmental characteristics,
- an interoperability certification performed by the competent body certifying that the recording equipment (or tachograph card) is fully interoperable with the necessary tachograph card (or recording equipment) models (see Chapter VIII of this Annex).

This Appendix specifies which tests, as a minimum, must be performed by a Member State authority during the functional tests, and which tests, as a minimum, must be performed by the competent body during the interoperability tests. Procedures to follow to carry out the tests or the type of tests are not specified further.

The security certification aspects are not covered by this Appendix. If some tests requested for type approval are performed during the security evaluation and certification process, then these tests do not need to be performed again. In this case, only the results of these security tests may be inspected. For information, the requirements expected to be tested (or closely related to tests expected to be performed) during the security certification, are marked with a ‘*’ in this Appendix.

This Appendix considers separately the type approval of the motion sensor and of the vehicle unit, as components of the recording equipment. Interoperability between every model of motion sensor and every model of vehicle unit is not required, therefore the type approval for a motion sensor can be granted only in combination with the type approval of a vehicle unit and vice versa.

1.2. References

The following references are used in this Appendix:

| | |
|-------------|---|
| IEC 68-2-1 | Environmental testing — Part 2: Tests — Tests A: Cold. 1990 + Amendment 2: 1994. |
| IEC 68-2-2 | Environmental testing — Part 2: Tests — Tests B: Dry heat. 1974 + Amendment 2: 1994. |
| IEC 68-2-6 | Basic environmental testing procedures — Test methods — Test Fc and guidance: Vibration (sinusoidal). 6th edition: 1985. |
| IEC 68-2-14 | Basic environmental testing procedures — Test methods — Test N: Change of temperature. Modification 1: 1986. |
| IEC 68-2-27 | Basic environmental testing procedures — Test methods — Test Ea and guidance: Shock. Edition 3: 1987. |
| IEC 68-2-30 | Basic environmental testing procedures — Test methods — Test Db and guidance: Damp heat, cyclic (12 + 12 — hour cycle). Modification 1: 1985. |

Status: Point in time view as at 22/02/2016.

Changes to legislation: There are currently no known outstanding effects for the Council Regulation (EEC) No 3821/85, ANNEX I B. (See end of Document for details)

| | |
|-----------------------------|--|
| IEC 68-2-35 | Basic environmental testing procedure — Test methods — Test Fda: Random vibration wide band — Reproducibility High. Modification 1: 1983. |
| IEC 529 | Degrees of protection provided by enclosures (IP code). Edition 2: 1989. |
| IEC 61000-4-2 | Electromagnetic Compatibility (EMC) — Testing and measurement techniques — Electrostatic discharge immunity test: 1995/Amendment 1: 1998. |
| ISO 7637-1 | Road vehicles — Electrical disturbance by conduction and coupling — Part 1: Passenger cars and light commercial vehicles with nominal 12 V supply voltage — Electrical transient conduction along supply lines only. Edition 2: 1990. |
| [^{X1} ISO 7637-2 | Road vehicles — Electrical disturbance by conduction and coupling — Part 2: Commercial vehicles with nominal 24 V supply voltage — Electrical transient conduction along supply lines only. First edition: 1990.] |
| ISO 7637-3 | Road vehicles — Electrical disturbance by conduction and coupling — Part 3: Vehicles with 12 V or 24 V supply voltage — Electrical transient transmission by capacitive and inductive coupling via lines other than supply lines. First Edition: 1995 + Cor 1: 1995. |
| ISO/IEC 7816-1 | Identification cards — Integrated circuit(s) cards with contacts — Part 1: Physical characteristics. First edition: 1998. |
| ISO/IEC 7816-2 | Information technology — Identification cards — Integrated circuit(s) cards with contacts — Part 2: Dimensions and location of the contacts. First edition: 1999. |
| ISO/IEC 7816-3 | Information technology — Identification cards — Integrated circuit(s) cards with contacts — Part 3: Electronic signals and transmission protocol. Edition 2: 1997. |
| ISO/IEC 10373 | Identification cards — Test methods. First edition: 1993. |
| [^{F6} ISO 16844-3 | 2004, Cor 1:2006 Road vehicles – Tachograph systems – Part 3: Motion sensor interface (with vehicle units).] |

2. VEHICLE UNIT FUNCTIONAL TESTS

| No | Test | Description | Related requirements |
|------|-----------------------------------|---|----------------------|
| 1. | Administrative examination | | |
| 1.1. | Documentation | Correctness of documentation | |
| 1.2. | Manufacturer test results | Results of manufacturer test performed during integration. Paper demonstrations | 070, 071, 073 |
| 2. | Visual inspection | | |
| 2.1. | Compliance with documentation | | |
| 2.2. | Identification/markings | | 168, 169 |
| 2.3. | Materials | | 163 to 167 |
| 2.4 | Sealing | | 251 |

Status: Point in time view as at 22/02/2016.

Changes to legislation: There are currently no known outstanding effects for the Council Regulation (EEC) No 3821/85, ANNEX I B. (See end of Document for details)

| | | |
|-------|--|---|
| 2.5. | External interfaces | |
| 3. | Functional tests | |
| 3.1. | Functions provided | 002, 004, 244 |
| 3.2. | Modes of operation | 006*, 007*, 008*, 009*, 106, 107 |
| 3.3. | Functions and data access rights | 010*, 011*, 240, 246, 247 |
| 3.4. | Monitoring cards insertion and withdrawal | 013, 014, 015*, 016*, 106 |
| 3.5. | Speed and distance measurement | 017 to 026 |
| 3.6. | Time measurement (test performed at 20 °C) | 027 to 032 |
| 3.7. | Monitoring driver activities | 033 to 043, 106 |
| 3.8. | Monitoring driving status | 044, 045, 106 |
| 3.9. | Manual entries | 046 to 050b |
| 3.10. | Company locks management | 051 to 055 |
| 3.11. | Monitoring control activities | 056, 057 |
| 3.12. | Detection of events and/or faults | 059 to 069, 106 |
| 3.13. | Equipment identification data | 075*, 076*, 079 |
| 3.14. | Driver card insertion and withdrawal data | 081* to 083* |
| 3.15. | Driver activity data | 084* to 086* |
| 3.16. | Places data | 087* to 089* |
| 3.17. | Odometer data | 090* to 092* |
| 3.18. | Detailed speed data | 093* |
| 3.19. | Events data | 094*, 095 |
| 3.20. | Faults data | 096* |
| 3.21. | Calibration data | 097*, 098* |
| 3.22. | Time adjustment data | 100*, 101* |
| 3.23. | Control activity data | 102*, 103* |
| 3.24. | Company locks data | 104* |
| 3.25. | Download activity data | 105* |
| 3.26. | Specific conditions data | 105a*, 105b* |
| 3.27. | Recording and storing on tachographs cards | 108, 109*, 109a*, 110*, 111, 112 |
| 3.28. | Displaying | 072, 106, 113 to 128, PIC_001, DIS_001 |

Status: Point in time view as at 22/02/2016.

Changes to legislation: There are currently no known outstanding effects for the Council Regulation (EEC) No 3821/85, ANNEX I B. (See end of Document for details)

| | | |
|-----------------------|--|---|
| 3.29. | Printing | 072, 106, 129 to 138, PIC_001, PRT_001 to PRT_012 |
| 3.30. | Warning | 106, 139 to 148, PIC_001 |
| 3.31. | Data downloading to external media | 072, 106, 149 to 151 |
| 3.32. | Output data to additional external devices | 152, 153 |
| 3.33. | Calibration | 154*, 155*, 156*, 245 |
| 3.34. | Time adjustment | 157*, 158* |
| 3.35. | Non-interference of additional functions | 003, 269 |
| [^{F6} 3.36. | Motion sensor interface | 001a, 099] |
| [^{F6} 3.37. | Verify that the VU detects, records and stores the event(s) and/or fault(s) defined by the VU manufacturer when a paired motion sensor reacts to magnetic fields disturbing vehicle motion detection | 161a] |
| 4. | Environmental tests | |
| 4.1. | Temperature | <p>Verify functionality through:</p> <ul style="list-style-type: none"> — IEC 68-2-1, test Ad, with a test duration of 72 hours at the lower temperature (- 20 °C), 1 hour operating, 1 hour non operating, — IEC 68-2-2, test Bd, with a test duration of 72 hours at the higher temperature (+ 70 °C), 1 hour operating, 1 hour non operating <p>Temperature cycles: verify that the vehicle unit can withstand</p> |

Status: Point in time view as at 22/02/2016.

Changes to legislation: There are currently no known outstanding effects for the Council Regulation (EEC) No 3821/85, ANNEX I B. (See end of Document for details)

| | | | |
|------|-----------|---|-----|
| | | <p>rapid changes in the environment temperature through IEC 68-2-14 test Na, 20 cycles, each with temperature varying from the lower temperature (-20 °C) to the higher temperature (+70 °C) and a 2 hours stay at both the lower and the higher temperature</p> <p>A reduced set of tests (among those defined in section 3 of this table) can be carried out at the lower temperature, the higher temperature and during the temperature cycles</p> | |
| 4.2. | Humidity | <p>Verify that the vehicle unit can withstand a cyclic damp (heat test) through IEC 68-2-30, test Db, six 24 hours cycles, each temperature varying from +25 °C to +55 °C and a relative humidity of 97 % at +25 °C and equal to 93 % at +55 °C</p> | 160 |
| 4.3. | Vibration | <p>1. Sinusoidal vibrations:</p> <p>verify that the vehicle unit can withstand sinusoidal vibrations with the</p> | 163 |

Status: Point in time view as at 22/02/2016.

Changes to legislation: There are currently no known outstanding effects for the Council Regulation (EEC) No 3821/85, ANNEX I B. (See end of Document for details)

following characteristics:
constant displacement between 5 and 11 Hz: 10 mm peak constant acceleration between 11 and 300 Hz: 5 g

This requirement is verified through IEC 68-2-6, test Fc, with a minimum test duration of 3 × 12 hours (12 hours per axis)

2.

Random vibrations:

verify that the vehicle unit can withstand

Status: Point in time view as at 22/02/2016.

Changes to legislation: There are currently no known outstanding effects for the Council Regulation (EEC) No 3821/85, ANNEX I B. (See end of Document for details)

random
vibrations
with
the
following
characteristics:
frequency
5-150
Hz,
level
0,02
 $g^2/$
Hz

This
requirement
is
verified
through
IEC
68-2-35,
test
Fda,
with
a
minimum
test
duration
of
3
×
12
hours
(12
hours
per
axis),
1
hour
operating,
1
hour
non
operating

The two
tests
described
above are
performed
on two
different
samples
of the
equipment

Status: Point in time view as at 22/02/2016.

Changes to legislation: There are currently no known outstanding effects for the Council Regulation (EEC) No 3821/85, ANNEX I B. (See end of Document for details)

| | | type being tested | |
|------|--|---|----------|
| 4.4. | Protection against water and foreign bodies | Verify that the vehicle unit protection index according to IEC 529 is at least IP 40, when mounted in operating conditions in a vehicle | 164, 165 |
| 4.5. | Over-voltage protection | Verify that the vehicle unit can withstand a power supply of: 24V versions: 34 V at + 40 °C 1 hour 12V versions: 17 V at + 40 °C 1 hour | 161 |
| 4.6. | Reverse polarity protection | Verify that the vehicle unit can withstand an inversion of its power supply | 161 |
| 4.7. | Short-circuit protection | Verify that input output signals are protected against short circuits to power supply and ground | 161 |
| 5. | EMC tests | | |
| 5.1. | Radiated emissions and susceptibility | Compliance with Directive 95/54/EEC | 162 |
| 5.2. | Electrostatic discharge | Compliance with IEC 61000-4-2, ± 2 kV (level 1) | 162 |
| 5.3. | Conducted transient susceptibility on power supply | For 24V versions: compliance with ISO 7637-2: pulse 1a: Vs = - 100 V, Ri = 10 ohms pulse 2: Vs = + 100 | 162 |

Status: Point in time view as at 22/02/2016.

Changes to legislation: There are currently no known outstanding effects for the Council Regulation (EEC) No 3821/85, ANNEX I B. (See end of Document for details)

V, Ri = 10
ohms
pulse 3a:
Vs = - 100
V, Ri = 50
ohms
pulse 3b:
Vs = + 100
V, Ri = 50
ohms
pulse 4: Vs
= - 16 V Va
= - 12 V,
t6=100 ms
pulse 5: Vs
= + 120 V,
Ri = 2,2
ohms, td =
250 ms

For 12V versions:
compliance with ISO
7637-1:

pulse 1:
Vs = - 100
V, Ri = 10
ohms
pulse 2:
Vs = + 100
V, Ri = 10
ohms
pulse 3a:
Vs = - 100
V, Ri = 50
ohms
pulse 3b:
Vs = + 100
V, Ri = 50
ohms
pulse 4: Vs
= - 6 V, Va
= - 5 V, t6 =
15 ms
pulse 5: Vs
= + 65 V, Ri
= 3 ohms, td
= 100 ms

Pulse 5 shall be tested
only for vehicle
units designed to be
installed in vehicles
for which no external
common protection

Status: Point in time view as at 22/02/2016.

Changes to legislation: There are currently no known outstanding effects for the Council Regulation (EEC) No 3821/85, ANNEX I B. (See end of Document for details)

| | | | |
|--|--|----------------------------------|--|
| | | against load dump is implemented | |
|--|--|----------------------------------|--|

3. MOTION SENSOR FUNCTIONAL TESTS

| No | Test | Description | Related requirements |
|----------------------|---|--|----------------------|
| 1. | Administrative examination | | |
| 1.1. | Documentation | Correctness of documentation | |
| 2. | Visual inspection | | |
| 2.1. | Compliance with documentation | | |
| 2.2. | Identification/markings | | 169, 170 |
| 2.3. | Materials | | 163 to 167 |
| 2.4. | Sealing | | 251 |
| 3. | Functional tests | | |
| 3.1. | Sensor identification data | | 077* |
| 3.2. | Motion sensor — vehicle unit pairing | | 099*, 155 |
| 3.3. | Motion detection | | |
| | Motion measurement accuracy | | 022 to 026 |
| [^{F6} 3.4. | Vehicle unit interface | | 001a] |
| [^{F6} 3.5. | Check that the motion sensor is immune to magnetic field. Alternatively, verify that the motion sensor reacts to magnetic fields disturbing vehicle motion detection so that a paired VU can detect, record and store sensor faults | | 161a] |
| 4. | Environmental tests | | |
| 4.1. | Operating temperature | Verify functionality (as defined in test No 3.3) in temperature range [- 40 °C; + 135 °C] through: — IEC 68-2-1 test Ad, with a test duration of 96 hours at the lowest temperature T_{\min} — IEC 68-2-2 test Bd, | 159 |

Status: Point in time view as at 22/02/2016.

Changes to legislation: There are currently no known outstanding effects for the Council Regulation (EEC) No 3821/85, ANNEX I B. (See end of Document for details)

| | | | |
|------|--------------------|--|-----|
| | | with a test duration of 96 hours at the highest temperature $T_{0_{max}}$ | |
| 4.2. | Temperature cycles | Verify functionality (as defined in test No 3.3) through IEC 68-2-14 test Na, 20 cycles, each with temperature varying from the lower temperature (-40 °C) to the higher temperature (+135 °C) and a 2 hours stay at both the lower and the higher temperature A reduced set of tests (among those defined in test 3.3) can be carried out at the lower temperature, the higher temperature and during the temperature cycles | 159 |
| 4.3. | Humidity cycles | Verify functionality (as defined in test No 3.3) through IEC 68-2-30, test Db, six 24 hours cycles, each temperature varying from + 25 °C to + 55 °C and a relative humidity of 97 % at + 25 °C and equal to 93 % at + 55 °C | 160 |
| 4.4. | Vibration | Verify functionality (as defined in test No 3.3) through IEC 68-2-6, test Fc, with a test duration of 100 frequency cycles: constant displacement between 10 and 57 Hz: 1,5 mm peak constant | 163 |

Status: Point in time view as at 22/02/2016.

Changes to legislation: There are currently no known outstanding effects for the Council Regulation (EEC) No 3821/85, ANNEX I B. (See end of Document for details)

| | | | |
|------|---|--|-----|
| | | acceleration between 57 and 500 Hz: 20 g | |
| 4.5. | Mechanical shock | Verify functionality (as defined in test No 3.3) through IEC 68-2-27, test Ea, 3 shocks in both directions of the 3 perpendicular axes | 163 |
| 4.6. | Protection against water and foreign bodies | Verify that the motion sensor protection index according to IEC 529 is at least IP 64, when mounted in operating conditions in a vehicle | 165 |
| 4.7. | Reverse polarity protection | Verify that the motion sensor can withstand an inversion of its power supply | 161 |
| 4.8. | Short circuit protection | Verify that input output signals are protected against short circuits to power supply and ground | 161 |
| 5. | EMC | | |
| 5.1. | Radiated emissions and susceptibility | Verify compliance with Directive 95/54/EEC | 162 |
| 5.2. | Electrostatic discharge | Compliance with IEC 61000-4-2, ± 2 kV (level 1) | 162 |
| 5.3. | Conducted transient susceptibility on data lines) | Compliance with ISO 7637-3 (level III) | 162 |

4. TACHOGRAPH CARDS FUNCTIONAL TESTS

| No | Test | Description | Related requirements |
|------|-----------------------------------|------------------------------|----------------------|
| 1. | Administrative examination | | |
| 1.1. | Documentation | Correctness of documentation | |
| 2. | Visual inspection | | |

Status: Point in time view as at 22/02/2016.

Changes to legislation: There are currently no known outstanding effects for the Council Regulation (EEC) No 3821/85, ANNEX I B. (See end of Document for details)

| | | | |
|------|-------------------------|--|---|
| 2.1. | | Make sure that all features for protection and visible data are correctly printed on the card and compliant | 171 to 181 |
| 3. | Physical tests | | |
| 3.1. | | Check dimension of the card and location of the contacts | 184 ISO/IEC 7816-1 ISO/IEC 7816-2 |
| 4. | Protocol tests | | |
| 4.1. | ATR | Check that the ATR is compliant | ISO/IEC 7816-3 TCS 304, 307, 308 |
| 4.2. | T=0 | Check that T=0 protocol is compliant | ISO/IEC 7816-3 TCS 302, 303, 305 |
| 4.3. | PTS | Check that the PTS command is compliant by setting T=1 from T=0 | ISO/IEC 7816-3 TCS 309 to 311 |
| 4.4. | T=1 | Check that T=1 protocol is compliant | ISO/IEC 7816-3 TCS 303, / 306 |
| 5. | Card structure | | |
| 5.1. | | Test that the file structure of the card is compliant by checking the presence of the mandatory files in the card and their access conditions | TCS 312 TCS 400*, 401, 402, 403*, 404, 405*, 406, 407, 408*, 409, 410*, 411, 412, 413*, 414, 415*, 416, 417, 418*, 419 |
| 6. | Functional tests | | |
| 6.1. | Normal processing | Test at least once each allowed usage of each command (ex: test the UPDATE BINARY command with CLA = '00', CLA = '0C' and with different P1, P2 and Lc parameters) Check that the operations have actually been performed in the card (ex: by reading the file the command has been performed on) | TCS 313 to TCS 379 |

Status: Point in time view as at 22/02/2016.

Changes to legislation: There are currently no known outstanding effects for the Council Regulation (EEC) No 3821/85, ANNEX I B. (See end of Document for details)

| | | | |
|------|----------------------------|--|------------------------------|
| 6.2. | Error messages | Test at least once each error message (as specified in Appendix 2) for each command Test at least once every generic error (except '6400' integrity errors checked during security certification) | |
| 7. | Environmental tests | | |
| 7.1. | | Make sure that the cards work within the limit conditions defined in accordance with ISO/IEC 10373 | 185 to 188 ISO/IEC 7816-1 |

5. INTEROPERABILITY TESTS

| No | Test | Description |
|----|-----------------------|---|
| 1. | Mutual authentication | Check that the mutual authentication between the vehicle unit and the tachograph card runs normally |
| 2. | Write/read tests | Execute a typical activity scenario on the vehicle unit. The scenario shall be adapted to the type of card being tested and involve writings in as many EFs as possible in the card Verify through a card downloading that all corresponding recordings have been properly made Verify through a card daily printout that all corresponding recordings can be properly read |

Status: Point in time view as at 22/02/2016.

Changes to legislation: There are currently no known outstanding effects for the Council Regulation (EEC) No 3821/85, ANNEX I B. (See end of Document for details)

Appendix 10

GENERIC SECURITY TARGETS

This appendix specifies the minimum required content of motion sensor, vehicle unit and tachograph card security targets.

In order to form the security targets against which they may seek security certification, manufacturers shall refine and complete the documents as necessary, without amending nor deleting existing threats, objectives, procedural means and security enforcing functions specifications.

MOTION SENSOR GENERIC SECURITY TARGET

1. Introduction

This document contains a description of the motion sensor, of the threats it must be able to counteract and of the security objectives it must achieve. It specifies the required security enforcing functions. It states the claimed minimum strength of security mechanisms and the required level of assurance for the development and the evaluation.

Requirements referred to in the document, are those of the body of Annex I B. For clarity of reading, duplication sometimes arises between Annex I B body requirements and security target requirements. In case of ambiguity between a security target requirement and the Annex I B body requirement referred by this security target requirement, the Annex I B body requirement shall prevail.

Annex I B body requirements not referred by security targets are not the subject of security enforcing functions.

Unique labels have been assigned to threats, objectives, procedural means and SEF specifications for the purpose of traceability to development and evaluation documentation.

2. Abbreviations, definitions and references

2.1. Abbreviations

| | |
|-----|-----------------------------|
| ROM | Read only Memory |
| SEF | Security enforcing function |
| TBD | To be defined |
| TOE | Target of evaluation |
| VU | Vehicle unit. |

2.2. Definitions

| | |
|----------------------------|---|
| Digital Tachograph | Recording equipment |
| Entity | A device connected to the motion sensor |
| Motion data | The data exchanged with the VU, representative of speed and distance travelled |
| Physically separated parts | Physical components of the motion sensor that are distributed in the vehicle as opposed to physical components gathered into the motion sensor casing |
| Security data | The specific data needed to support security enforcing functions (e.g. crypto keys) |
| System | Equipment, people or organisations, involved in any way with the recording equipment |

Status: Point in time view as at 22/02/2016.

Changes to legislation: There are currently no known outstanding effects for the Council Regulation (EEC) No 3821/85, ANNEX I B. (See end of Document for details)

User A human user of the motion sensor (when not used in the expression 'user data')

User data Any data, other than motion or security data, recorded or stored by the motion sensor.

2.3. References

ITSEC ITSEC Information Technology Security Evaluation Criteria 1991.

3. Product rationale

3.1. Motion sensor description and method of use

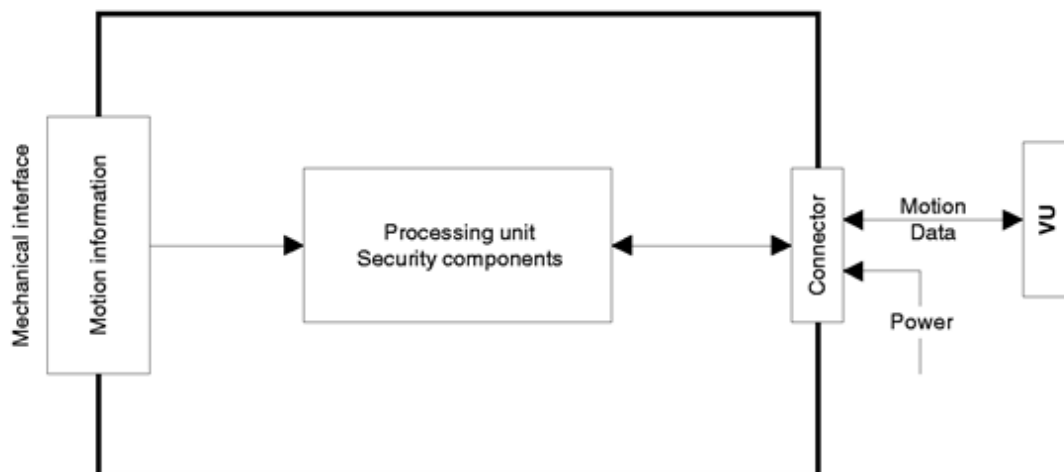
The motion sensor is intended to be installed in road transport vehicles. Its purpose is to provide a VU with secured motion data representative of vehicle's speed and distance travelled.

The motion sensor is mechanically interfaced to a moving part of the vehicle, which movement can be representative of vehicle's speed or distance travelled. It may be located in the vehicle's gear box or in any other part of the vehicle.

In its operational mode, the motion sensor is connected to a VU.

It may also be connected to specific equipment for management purposes (TBD by manufacturer).

The typical motion sensor is described in the following figure:

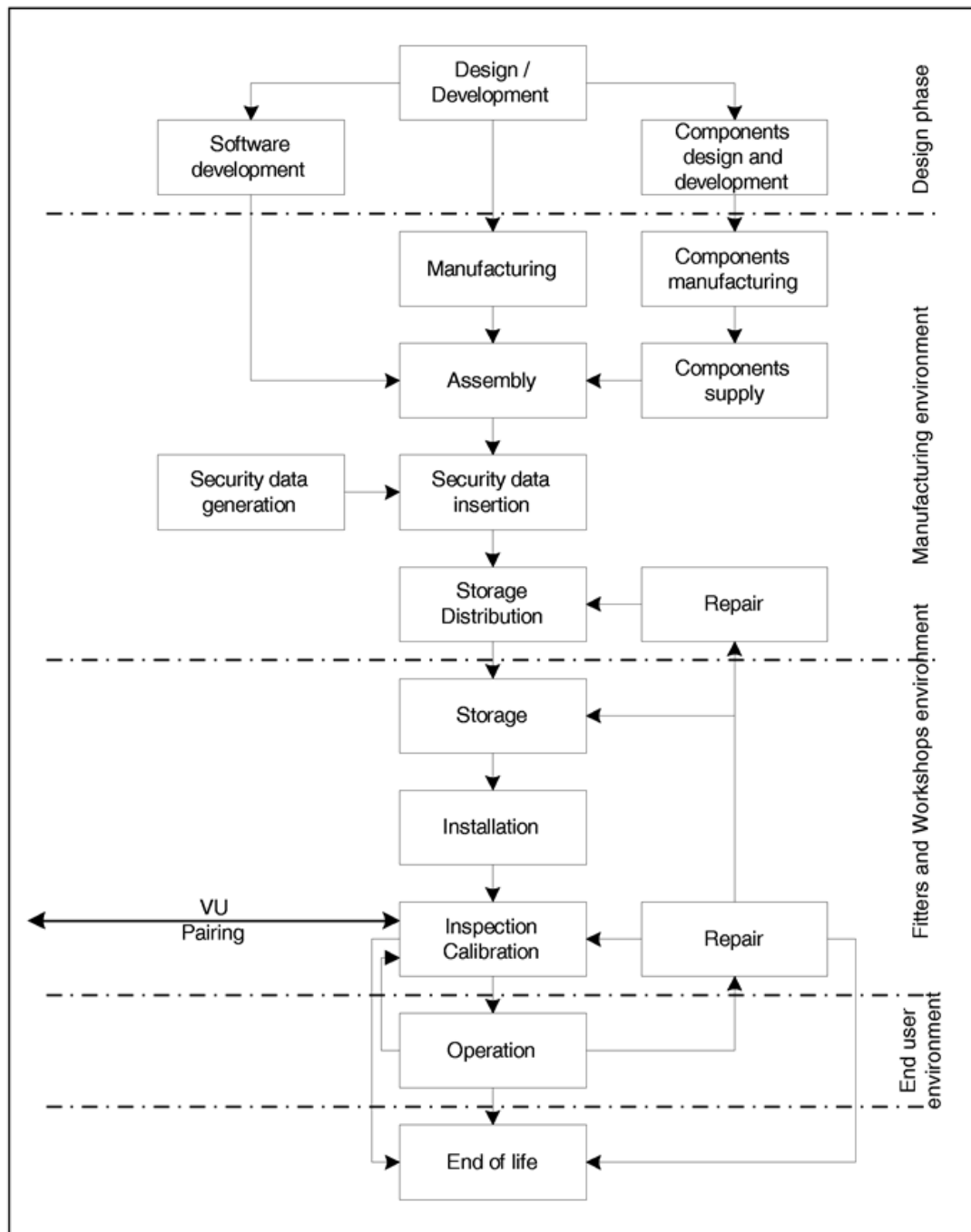


3.2. Motion sensor life cycle

The typical life cycle of the motion sensor is described in the following figure:

Status: Point in time view as at 22/02/2016.

Changes to legislation: There are currently no known outstanding effects for the Council Regulation (EEC) No 3821/85, ANNEX I B. (See end of Document for details)



3.3. Threats

This paragraph describes the threats the motion sensor may face.

3.3.1. Threats to access control policies

T.Access Users could try to access functions not allowed to them.

3.3.2. Design related threats

Status: Point in time view as at 22/02/2016.

Changes to legislation: There are currently no known outstanding effects for the Council Regulation (EEC) No 3821/85, ANNEX I B. (See end of Document for details)

| | |
|----------|--|
| T.Faults | Faults in hardware, software, communication procedures could place the motion sensor in unforeseen conditions compromising its security |
| T.Tests | The use of non invalidated test modes or of existing back doors could compromise the motion sensor security |
| T.Design | Users could try to gain illicit knowledge of design either from manufacturer's material (through theft, bribery, ...) or from reverse engineering. |

3.3.3. Operation oriented threats

| | |
|---------------------|--|
| T.Environment | Users could compromise the motion sensor security through environmental attacks (thermal, electromagnetic, optical, chemical, mechanical, ...) |
| T.Hardware | Users could try to modify motion sensor hardware |
| T.Mechanical_Origin | Users could try to manipulate the motion sensor input (e.g. unscrewing from gearbox, ...) |
| T.Motion_Data | Users could try to modify the vehicle's motion data (addition, modification, deletion, replay of signal) |
| T.Power_Supply | Users could try to defeat the motion sensor security objectives by modifying (cutting, reducing, increasing) its power supply |
| T.Security_Data | Users could try to gain illicit knowledge of security data during security data generation or transport or storage in the equipment |
| T.Software | Users could try to modify motion sensor software |
| T.Stored_Data | Users could try to modify stored data (security or user data). |

3.4. Security objectives

The main security objective of the digital tachograph system is the following:

| | |
|--------|---|
| O.Main | The data to be checked by control authorities must be available and reflect fully and accurately the activities of controlled drivers and vehicles in terms of driving, work, availability and rest periods and in terms of vehicle speed |
|--------|---|

Therefore the security objective of the motion sensor, contributing to the global security objective, is:

| | |
|---------------|---|
| O.Sensor_Main | The data transmitted by the motion sensor must be available to the VU so as to allow the VU to determine fully and accurately the movement of the vehicle in terms of speed and distance travelled. |
|---------------|---|

3.5. Information technology security objectives

The specific IT security objectives of the motion sensor contributing to its main security objective, are the following:

| | |
|-------------------------|--|
| O.Access | The motion sensor must control connected entities' access to functions and data |
| O.Audit | The motion sensor must audit attempts to undermine its security and should trace them to associated entities |
| O.Authentication | The motion sensor must authenticate connected entities |
| O.Processing | The motion sensor must ensure that processing of input to derive motion data is accurate |
| O.Reliability | The motion sensor must provide a reliable service |
| O.Secured_Data_Exchange | The motion sensor must secure data exchanges with the VU. |

3.6. Physical, personnel or procedural means

Status: Point in time view as at 22/02/2016.

Changes to legislation: There are currently no known outstanding effects for the Council Regulation (EEC) No 3821/85, ANNEX I B. (See end of Document for details)

This paragraph describes physical, personnel or procedural requirements that contribute to the security of the motion sensor.

3.6.1. Equipment design

M.Development Motion sensor developers must ensure that the assignment of responsibilities during development is done in a manner which maintains IT security

M.Manufacturing Motion sensor manufacturers must ensure that the assignment of responsibilities during manufacturing is done in a manner which maintains IT security, and that during the manufacturing process the motion sensor is protected from physical attacks which might compromise IT security.

3.6.2. Equipment delivery

M.Delivery Motion sensor manufacturers, vehicle manufacturers and fitters or workshops must ensure that handling of the motion sensor is done in a manner which maintains IT security.

3.6.3. Security data generation and delivery

M.Sec_Data_Generation Security data generation algorithms must be accessible to authorised and trusted persons only

M.Sec_Data_Transport Security data must be generated, transported, and inserted into the motion sensor, in such a way to preserve its appropriate confidentiality and integrity.

3.6.4. Recording equipment installation, calibration, and inspection

M.Approved_Workshops Installation, calibration and repair of recording equipment must be carried by trusted and approved fitters or workshops

M.Mechanical_Interface Means of detecting physical tampering with the mechanical interface must be provided (e.g. seals)

M.Regular_Inspections Recording equipment must be periodically inspected and calibrated.

3.6.5. Law enforcement control

M.Controls Law enforcement controls must be performed regularly and randomly, and must include security audits.

3.6.6. Software upgrades

M.Software_Upgrade Software revisions must be granted security certification before they can be implemented in a motion sensor.

4. Security enforcing functions

4.1. Identification and authentication

The motion sensor shall be able to establish, for every interaction, the identity of any entity it is connected to.

The identity of a connected entity shall consist of:

- an entity group:
 - VU,
 - Management device,
 - Other,

Status: Point in time view as at 22/02/2016.

Changes to legislation: There are currently no known outstanding effects for the Council Regulation (EEC) No 3821/85, ANNEX I B. (See end of Document for details)

— an entity ID (VU only).

The entity ID of a connected VU shall consist of the VU approval number and the VU serial number.

The motion sensor shall be able to authenticate any VU or management device it is connected to:

- at entity connection,
- at power supply recovery.

The motion sensor shall be able to periodically re-authenticate the VU it is connected to.

The motion sensor shall detect and prevent use of authentication data that has been copied and replayed.

After (TBD by manufacturer and not more than 20) consecutive unsuccessful authentication attempts have been detected, the SEF shall:

- generate an audit record of the event,
- warn the entity,
- continue to export motion data in a non secured mode.

4.2. Access control

Access controls ensure that information is read from, created in, or modified into the TOE only by those authorised to do so.

4.2.1. Access control policy

The motion sensor shall control access rights to function and data.

4.2.2. Data access rights

The motion sensor shall ensure that motion sensor identification data can be written once only (requirement 078).

The motion sensor shall accept and/or store user data from authenticated entities only.

The motion sensor shall enforce appropriate read and write access rights to security data.

4.2.3. File structure and access conditions

Application and data files structure and access conditions shall be created during the manufacturing process, and then locked from any future modification or deletion.

4.3. Accountability

The motion sensor shall hold in its memory motion sensor identification data (requirement 077).

The motion sensor shall store in its memory installation data (requirement 099).

The motion sensor shall have a capability to output accountability data to authenticated entities at their request.

4.4. Audit

The motion sensor shall, for events impairing its security, generate audit records of the events.

The events affecting the security of the motion sensor are the following:

- security breach attempts,
 - authentication failure,

Status: Point in time view as at 22/02/2016.

Changes to legislation: There are currently no known outstanding effects for the Council Regulation (EEC) No 3821/85, ANNEX I B. (See end of Document for details)

- stored data integrity error,
- internal data transfer error,
- unauthorised case opening,
- hardware sabotage.
- sensor fault.

Audit records shall include the following data:

- date and time of the event,
- type of event,
- connected entity identity.

when required data is not available, an appropriate default indication shall be given (TBD by manufacturer).

The motion sensor shall send the generated audit records to the VU at the moment of their generation, and may also store them in its memory.

In the case where the motion sensor stores audit records, it shall ensure that 20 audit records will be maintained independent of audit storage exhaustion, and shall have a capability to output stored audit records to authenticated entities at their request.

4.5. Accuracy

4.5.1. Information flow control policy

The motion sensor shall ensure that motion data may only be processed and derived from sensor mechanical input.

4.5.2. Internal data transfers

The requirements of this paragraph apply only if the motion sensor makes use of physically separated parts.

If data are transferred between physically separated parts of the motion sensor, the data shall be protected from modification.

Upon detection of a data transfer error during an internal transfer, transmission shall be repeated and the SEF shall generate an audit record of the event.

4.5.3. Stored data integrity

The motion sensor shall check user data stored in its memory for integrity errors.

Upon detection of a stored user data integrity error, the SEF shall generate an audit record.

4.6. Reliability of service

4.6.1 Tests

All commands, actions, or test points, specific to the testing needs of the manufacturing phase shall be disabled or removed before the end of the manufacturing phase. It shall not be possible to restore them for later use.

The motion sensor shall run self-tests, during initial start-up, and during normal operation to verify its correct operation. The motion sensor self-tests shall include a verification of the integrity of security data and a verification of the integrity of stored executable code (if not in ROM).

Status: Point in time view as at 22/02/2016.

Changes to legislation: There are currently no known outstanding effects for the Council Regulation (EEC) No 3821/85, ANNEX I B. (See end of Document for details)

Upon detection of an internal fault during self-test, the SEF shall generate an audit record (sensor fault).

4.6.2. Software

There shall be no way to analyse or debug the motion sensor software in the field.

Inputs from external sources shall not be accepted as executable code.

4.6.3. Physical protection

If the motion sensor is designed so that it can be opened, the motion sensor shall detect any case opening, even without external power supply for a minimum of 6 months. In such a case, the SEF shall generate an audit record of the event (It is acceptable that the audit record is generated and stored after power supply reconnection).

If the motion sensor is designed so that it cannot be opened, it shall be designed such that physical tampering attempts can be easily detected (e.g. through visual inspection).

The motion sensor shall detect specified (TBD by manufacturer) hardware sabotage.

In the case described above, the SEF shall generate an audit record and the motion sensor shall: (TBD by manufacturer).

4.6.4. Power supply interruptions

The motion sensor shall preserve a secure state during power supply cut-off or variations.

4.6.5. Reset conditions

In case of a power supply interruption, or if a transaction is stopped before completion, or on any other reset conditions, the motion sensor shall be reset cleanly.

4.6.6. Data availability

The motion sensor shall ensure that access to resources is obtained when required and that resources are not requested nor retained unnecessarily.

4.6.7. Multiple applications

If the motion sensor provides applications other than the tachograph application, all applications shall be physically and/or logically separated from each other. These applications shall not share security data. Only one task shall be active at a time.

4.7. Data exchange

The motion sensor shall export motion data to the VU with associated security attributes, such that the VU will be able to verify its integrity and authenticity.

4.8. Cryptographic support

The requirements of this paragraph are applicable only where needed, depending upon security mechanisms used and upon the manufacturer's solutions.

Any cryptographic operation performed by the motion sensor shall be in accordance with a specified algorithm and a specified key size.

If the motion sensor generates cryptographic keys, it shall be in accordance with specified cryptographic key generation algorithms and specified cryptographic key sizes.

*Status: Point in time view as at 22/02/2016.**Changes to legislation: There are currently no known outstanding effects for the Council Regulation (EEC) No 3821/85, ANNEX I B. (See end of Document for details)*

| | | | | | | | | | | | | | | | | | | | |
|--|--|--|--|--|--|--|---|--|---|---|--|--|--|---|---|---|--|---|---|
| Software Upgrades | | | | | | | | | | X | | | | | | | | | |
| Security Enforcing Functions | | | | | | | | | | | | | | | | | | | |
| Identification and authentication | | | | | | | | | | | | | | | | | | | |
| UIA_x101 Entities identification | | | | | | | X | | | | | | | X | | X | | | X |
| UIA_x102 Entities identity | | | | | | | | | | | | | | X | | X | | | |
| UIA_103 VU identity | | | | | | | | | | | | | | X | | | | | |
| UIA_x104 Entities authentication | | | | | | | X | | | | | | | X | | X | | | X |
| UIA_x105 re-authentication | | | | | | | X | | | | | | | X | | X | | | X |
| UIA_x106 Unforgeable authentication | | | | | | | X | | | | | | | X | | X | | | |
| UIA_107 Authentication failure | | | | | | | X | | | | | | | X | | | | X | |
| Access control | | | | | | | | | | | | | | | | | | | |
| ACCx101 Access control policy | | | | | | | | | X | | | | | X | X | | | | |
| ACC_102 Motion sensor ID | | | | | | | | | | | | | | X | X | | | | |
| ACC_103 User data | | | | | | | | | | | | | | X | X | | | | |
| ACC_104 Security Data | | | | | | | | | X | | | | | X | X | | | | |
| ACCx105 File structure and | | | | | | | | | X | | | | | X | X | | | | |

Status: Point in time view as at 22/02/2016.

Changes to legislation: There are currently no known outstanding effects for the Council Regulation (EEC) No 3821/85, ANNEX I B. (See end of Document for details)

| Data exchange | | | | | | | | | | | | | | | |
|----------------------------|--|--|--|--|--|--|--|--|--|--|--|--|--|---|---|
| DEX_101 | | | | | | | | | | | | | | x | |
| Secured motion data export | | | | | | | | | | | | | | x | |
| Cryptographic support | | | | | | | | | | | | | | | |
| CSP_101 | | | | | | | | | | | | | | x | x |
| Algorithms | | | | | | | | | | | | | | x | x |
| CSP_102 | | | | | | | | | | | | | | x | x |
| key generation | | | | | | | | | | | | | | x | x |
| CSP_103 | | | | | | | | | | | | | | x | x |
| key distribution | | | | | | | | | | | | | | x | x |
| CSP_104 | | | | | | | | | | | | | | x | x |
| key access | | | | | | | | | | | | | | x | x |
| CSP_105 | | | | | | | | | | | | | | x | x |
| key destruction | | | | | | | | | | | | | | x | x |

VEHICLE UNIT GENERIC SECURITY TARGET

1. Introduction

This document contains a description of the vehicle unit, of the threats it must be able to counteract and of the security objectives it must achieve. It specifies the required security enforcing functions. It states the claimed minimum strength of security mechanisms and the required level of assurance for the development and the evaluation.

Requirements referred to in the document, are those of the body of Annex I B. For clarity of reading, duplication sometimes arises between Annex I B body requirements and security target requirements. In case of ambiguity between a security target requirement and the Annex I B body requirement referred by this security target requirement, the Annex I B body requirement shall prevail.

Annex I B body requirements not referred by security targets are not the subject of security enforcing functions.

Unique labels have been assigned to threats, objectives, procedural means and SEF specifications for the purpose of traceability to development and evaluation documentation.

2. Abbreviations, definitions and references

2.1. Abbreviations

| | |
|-----|--------------------------------|
| PIN | Personal identification number |
| ROM | Read only memory |
| SEF | Security enforcing function |
| TBD | To be defined |

Status: Point in time view as at 22/02/2016.

Changes to legislation: There are currently no known outstanding effects for the Council Regulation (EEC) No 3821/85, ANNEX I B. (See end of Document for details)

TOE Target of evaluation
VU Vehicle Unit.

2.2. Definitions

| | |
|-----------------------------------|--|
| Digital tachograph Motion data | Recording equipment The data exchanged with the motion sensor, representative of speed and distance travelled |
| Physically separated parts | Physical components of the VU that are distributed in the vehicle as opposed to physical components gathered into the VU casing |
| Security data | The specific data needed to support security enforcing functions (e.g. crypto keys) |
| System | Equipment, people or organisations, involved in any way with the recording equipment |
| User | Users are to be understood as human user of the equipment. Normal users of the VU comprise drivers, controllers, workshops and companies |
| User data | Any data, other than security data, recorded or stored by the VU, required by Chapter III.12. |

2.3. References

ITSEC ITSEC Information Technology Security Evaluation Criteria 1991.

3. Product rationale

3.1. Vehicle unit description and method of use

The VU is intended to be installed in road transport vehicles. Its purpose is to record, store, display, print and output data related to driver activities.

It is connected to a motion sensor with which it exchanges vehicle's motion data.

Users identify themselves to the VU using tachograph cards.

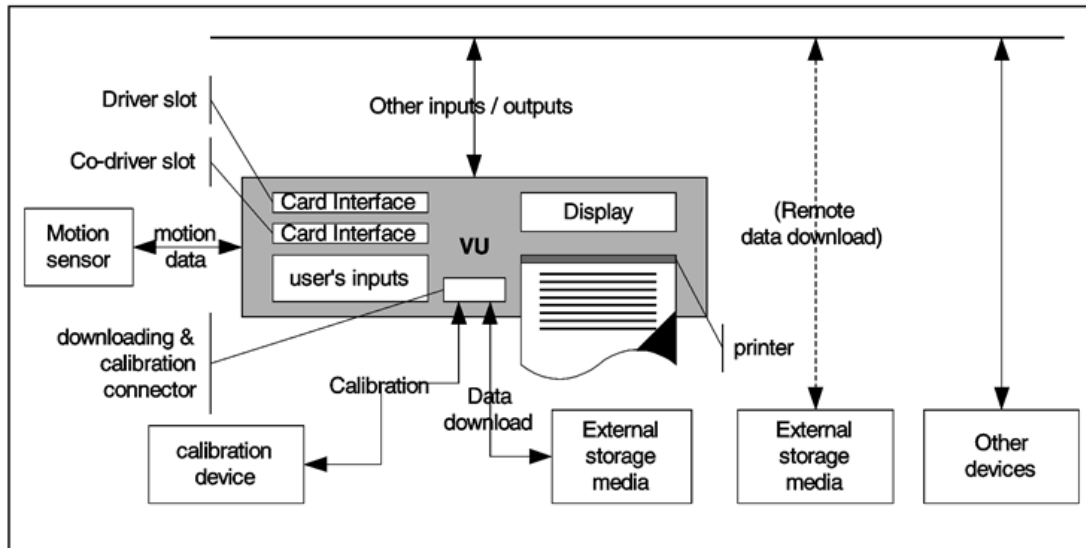
The VU records and stores user activities data in its data memory, it also records user activities data in tachograph cards.

The VU outputs data to display, printer and external devices.

The vehicle unit's operational environment while installed in a vehicle is described in the following figure:

Status: Point in time view as at 22/02/2016.

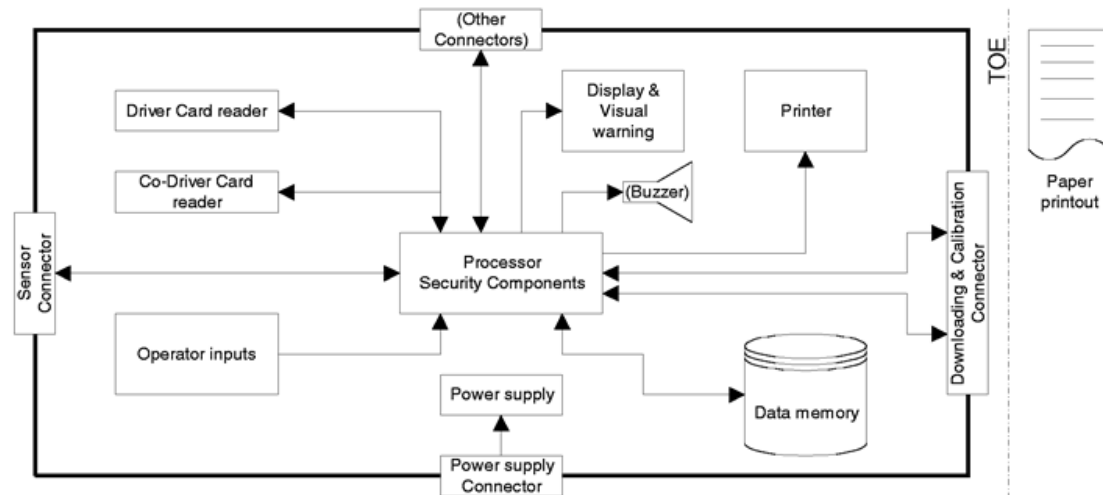
Changes to legislation: There are currently no known outstanding effects for the Council Regulation (EEC) No 3821/85, ANNEX I B. (See end of Document for details)



The VU general characteristics, functions and mode of operations are described in Chapter II of Annex I B.

The VU functional requirements are specified in Chapter III of Annex I B.

The typical VU is described in the following figure:



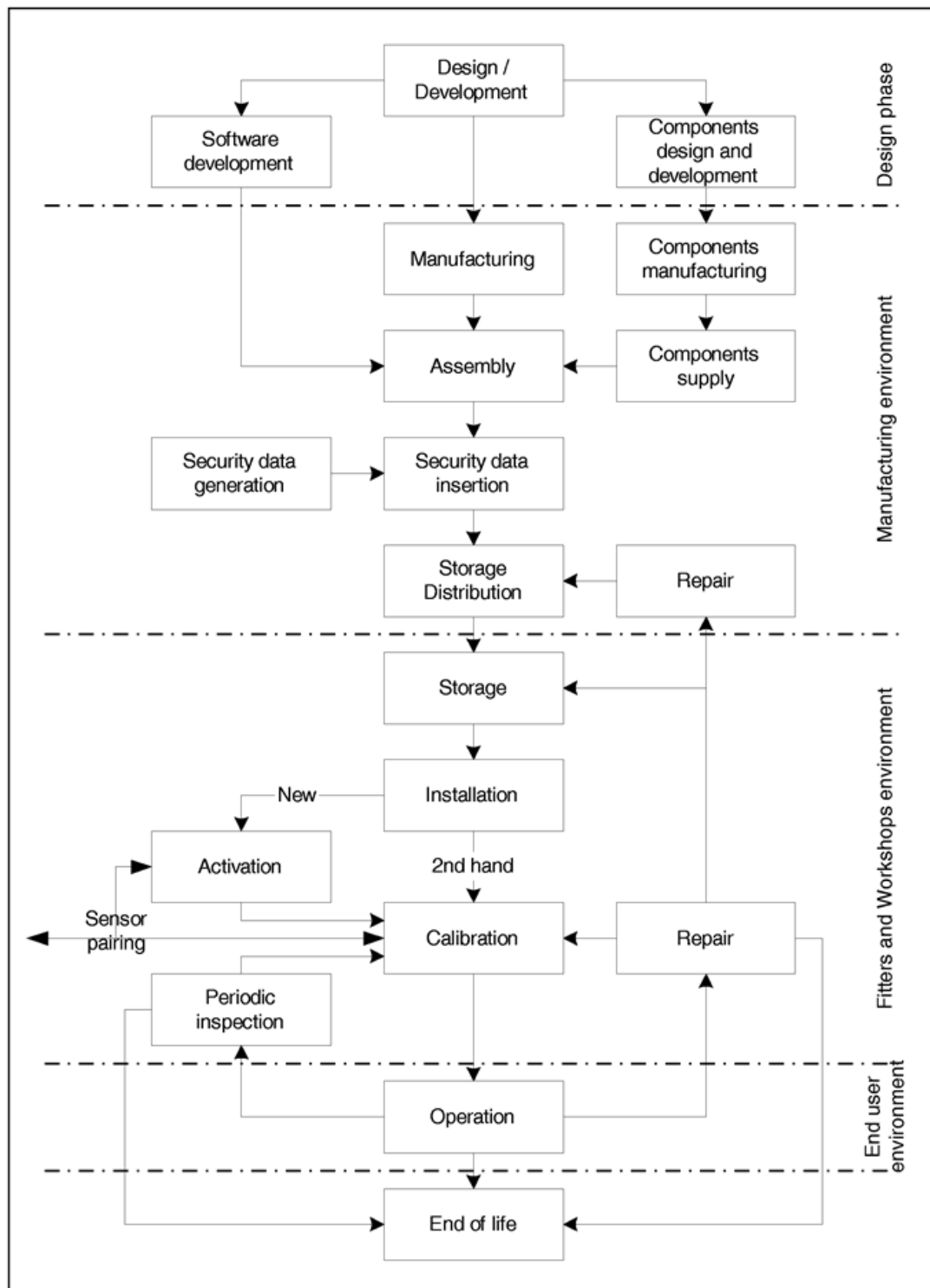
It must be noted that although the printer mechanism is part of the TOE, the paper document once produced is not.

3.2. Vehicle unit life cycle

The typical life cycle of the VU is described in the following figure:

Status: Point in time view as at 22/02/2016.

Changes to legislation: There are currently no known outstanding effects for the Council Regulation (EEC) No 3821/85, ANNEX I B. (See end of Document for details)



3.3. Threats

This paragraph describes the threats the VU may face.

3.3.1. Threats to identification and access control policies

Status: Point in time view as at 22/02/2016.

Changes to legislation: There are currently no known outstanding effects for the Council Regulation (EEC) No 3821/85, ANNEX I B. (See end of Document for details)

T.Access Users could try to access functions not allowed to them (e.g. drivers gaining access to calibration function)

T.Identification Users could try to use several identifications or no identification.

3.3.2. Design related threats

T.Faults Faults in hardware, software, communication procedures could place the VU in unforeseen conditions compromising its security

T.Tests The use of non invalidated test modes or of existing back doors could compromise the VU security

T.Design Users could try to gain illicit knowledge of design either from manufacturer's material (through theft, bribery, ...) or from reverse engineering

3.3.3. Operation oriented threats

T.Calibration_Parameters Users could try to use mis-calibrated equipment (through calibration data modification, or through organisational weaknesses)

T.Card_Data_Exchange Users could try to modify data while exchanged between VU and tachograph cards (addition, modification, deletion, replay of signal)

T.Clock Users could try to modify internal clock

T.Environment Users could compromise the VU security through environmental attacks (thermal, electromagnetic, optical, chemical, mechanical, ...)

T.Fake_Devices Users could try to connect fake devices (motion sensor, smart cards) to the VU

T.Hardware Users could try to modify VU hardware

T.Motion_Data Users could try to modify the vehicle's motion data (addition, modification, deletion, replay of signal)

T.Non_Activated Users could use non activated equipment

T.Output_Data Users could try to modify data output (print, display or download)

T.Power_Supply Users could try to defeat the VU security objectives by modifying (cutting, reducing, increasing) its power supply

T.Security_Data Users could try to gain illicit knowledge of security data during security data generation or transport or storage in the equipment

T.Software Users could try to modify VU software

T.Stored_Data Users could try to modify stored data (security or user data).

3.4. Security objectives

The main security objective of the digital tachograph system is the following:

O.Main The data to be checked by control authorities must be available and reflect fully and accurately the activities of controlled drivers and vehicles in terms of driving, work, availability and rest periods and in terms of vehicle speed

Therefore the security objectives of the VU, contributing to the global security objective, are the following:

O.VU_Main The data to be measured and recorded and then to be checked by control authorities must be available and reflect accurately the activities of controlled drivers and vehicles in terms of driving, work, availability and rest periods and in terms of vehicle speed

O.VU_Export The VU must be able to export data to external storage media in such a way as to allow for verification of their integrity and authenticity.

3.5. Information technology security objectives

Status: Point in time view as at 22/02/2016.

Changes to legislation: There are currently no known outstanding effects for the Council Regulation (EEC) No 3821/85, ANNEX I B. (See end of Document for details)

The specific IT security objectives of the VU contributing to its main security objectives, are the following:

| | |
|-------------------------|--|
| O.Access | The VU must control user access to functions and data |
| O.Accountability | The VU must collect accurate accountability data |
| O.Audit | The VU must audit attempts to undermine system security and should trace them to associated users |
| O.Authentication | The VU should authenticate users and connected entities (when a trusted path needs to be established between entities) |
| O.Integrity | The VU must maintain stored data integrity |
| O.Output | The VU must ensure that data output reflects accurately data measured or stored |
| O.Processing | The VU must ensure that processing of inputs to derive user data is accurate |
| O.Reliability | The VU must provide a reliable service |
| O.Secured_Data_Exchange | The VU must secure data exchanges with the motion sensor and with tachograph cards. |

3.6. Physical, personnel or procedural means

This paragraph describes physical, personnel or procedural requirements that contribute to the security of the VU.

3.6.1. Equipment design

| | |
|-----------------|--|
| M.Development | VU developers must ensure that the assignment of responsibilities during development is done in a manner which maintains IT security |
| M.Manufacturing | VU manufacturers must ensure that the assignment of responsibilities during manufacturing is done in a manner which maintains IT security, and that during the manufacturing process the VU is protected from physical attacks which might compromise IT security. |

3.6.2. Equipment delivery and activation

| | |
|--------------|--|
| M.Delivery | VU manufacturers, vehicle manufacturers and fitters or workshops must ensure that handling of non activated VUs is done in a manner which maintains VU security |
| M.Activation | Vehicle manufacturers and fitters or workshops must activate the VU after its installation before the vehicle leaves the premises where installation took place. |

3.6.3. Security data generation and delivery

| | |
|-----------------------|--|
| M.Sec_Data_Generation | Security data generation algorithms must be accessible to authorised and trusted persons only |
| M.Sec_Data_Transport | Security data must be generated, transported, and inserted into the VU, in such a way to preserve its appropriate confidentiality and integrity. |

3.6.4. Cards delivery

| | |
|--------------------------|--|
| M.Card_Availability | Tachograph cards must be available and delivered to authorised persons only |
| M.Driver_Card_Uniqueness | Drivers must possess, at one time, <i>one</i> valid driver card only |
| M.Card_Traceability | Card delivery must be traceable (white lists, black lists), and black lists must be used during security audits. |

3.6.5. Recording equipment installation, calibration, and inspection

Status: Point in time view as at 22/02/2016.

Changes to legislation: There are currently no known outstanding effects for the Council Regulation (EEC) No 3821/85, ANNEX I B. (See end of Document for details)

M.Approved_Workshops Installation, calibration and repair of recording equipment must be carried by trusted and approved fitters or workshops

M.Regular_Inspections Recording equipment must be periodically inspected and calibrated

M.Faithful_Calibration Approved fitters and workshops must enter proper vehicle parameters in recording equipment during calibration.

3.6.6. Equipment operation

M.Faithful_Drivers Drivers must play by the rules and act responsibly (e.g. use their driver cards, properly select their activity for those that are manually selected, ...).

3.6.7. Law enforcement control

M.Controls Law enforcement controls must be performed regularly and randomly, and must include security audits.

3.6.8. Software upgrades

M.Software_Upgrade Software revisions must be granted security certification before they can be implemented in a VU.

4. Security enforcing functions

4.1. Identification and authentication

4.1.1. Motion sensor identification and authentication

The VU shall be able to establish, for every interaction, the identity of the motion sensor it is connected to.

The identity of the motion sensor shall consist of the sensor approval number and the sensor serial number.

The VU shall authenticate the motion sensor it is connected to:

- at motion sensor connection,
- at each calibration of the recording equipment,
- at power supply recovery.

Authentication shall be mutual and triggered by the VU.

The VU shall periodically (period TBD by manufacturer and more frequently than once per hour) re-identify and re-authenticate the motion sensor it is connected to, and ensure that the motion sensor identified during the last calibration of the recording equipment has not been changed.

The VU shall detect and prevent use of authentication data that has been copied and replayed.

After (TBD by manufacturer and not more than 20) consecutive unsuccessful authentication attempts have been detected, and/or after detecting that the identity of the motion sensor has changed while not authorised (i.e. while not during a calibration of the recording equipment), the SEF shall:

- generate an audit record of the event,
- warn the user,
- continue to accept and use non secured motion data sent by the motion sensor.

4.1.2. User identification and authentication

Status: Point in time view as at 22/02/2016.

Changes to legislation: There are currently no known outstanding effects for the Council Regulation (EEC) No 3821/85, ANNEX I B. (See end of Document for details)

The VU shall permanently and selectively track the identity of two users, by monitoring the tachograph cards inserted in respectively the driver slot and the co-driver slot of the equipment.

The user identity shall consist of:

- a user group:
 - DRIVER (driver card),
 - CONTROLLER (control card),
 - WORKSHOP (workshop card),
 - COMPANY (company card),
 - UNKNOWN (no card inserted),
- a user ID, composed of:
 - the card issuing Member State code and of the card number,
 - UNKNOWN if user group is UNKNOWN.

UNKNOWN identities may be implicitly or explicitly known.

The VU shall authenticate its users at card insertion.

The VU shall re-authenticate its users:

- at power supply recovery,
- periodically or after occurrence of specific events (TBD by manufacturers and more frequently than once per day).

Authentication shall be performed by means of proving that the card inserted is a valid tachograph card, possessing security data that only the system could distribute. Authentication shall be mutual and triggered by the VU.

In addition to the above, workshops shall be required to be successfully authenticated through a PIN check. PINs shall be at least 4 characters long.

Note: In the case the PIN is transferred to the VU from an outside equipment located in the vicinity of the VU, PIN confidentiality need not be protected during the transfer.

The VU shall detect and prevent use of authentication data that has been copied and replayed.

After 5 consecutive unsuccessful authentication attempts have been detected, the SEF shall:

- generate an audit record of the event,
- warn the user,
- assume the user as UNKNOWN, and the card as non valid (definition z) and requirement 007).

4.1.3. Remotely connected company identification and authentication

Company remote connection capability is optional. This paragraph therefore applies only if this feature is implemented.

For every interaction with a remotely connected company, the VU shall be able to establish the company's identity.

The remotely connected company's identity shall consist of its company card issuing Member State code and of its company card number.

The VU shall successfully authenticate the remotely connected company before allowing any data export to it.

Status: Point in time view as at 22/02/2016.

Changes to legislation: There are currently no known outstanding effects for the Council Regulation (EEC) No 3821/85, ANNEX I B. (See end of Document for details)

Authentication shall be performed by means of proving that the company owns a valid company card, possessing security data that only the system could distribute.

The VU shall detect and prevent use of authentication data that has been copied and replayed.

After 5 consecutive unsuccessful authentication attempts have been detected, the VU shall:

— warn the remotely connected company.

4.1.4. Management device identification and authentication

VU manufacturers may foresee dedicated devices for additional VU management functions (e.g. Software upgrading, security data reloading, ...). This paragraph therefore applies only if this feature is implemented.

For every interaction with a management device, the VU shall be able to establish the device identity.

Before allowing any further interaction, the VU shall successfully authenticate the management device.

The VU shall detect and prevent use of authentication data that has been copied and replayed.

4.2. Access control

Access controls ensure that information is read from, created in, or modified into the TOE only by those authorised to do so.

It must be noted that the user data recorded by the VU, although presenting privacy or commercial sensitivity aspects, are not of a confidential nature. Therefore, the functional requirement related to data read access rights (requirement 011) is not the subject of a security enforcing function.

4.2.1. Access control policy

The VU shall manage and check access control rights to functions and to data.

4.2.2. Access rights to functions

The VU shall enforce the mode of operation selection rules (requirements 006 to 009).

The VU shall use the mode of operation to enforce the functions access control rules (requirement 010).

4.2.3. Access rights to data

The VU shall enforce the VU identification data write access rules (requirement 076)

The VU shall enforce the paired motion sensor identification data write access rules (requirements 079 and 155)

After the VU activation, the VU shall ensure that only in calibration mode, may calibration data be input into the VU and stored into its data memory (requirements 154 and 156).

After the VU activation, the VU shall enforce calibration data write and delete access rules (requirement 097).

After the VU activation, the VU shall ensure that only in calibration mode, may time adjustment data be input into the VU and stored into its data memory (This requirement does not apply to small time adjustments allowed by requirements 157 and 158).

Status: Point in time view as at 22/02/2016.

Changes to legislation: There are currently no known outstanding effects for the Council Regulation (EEC) No 3821/85, ANNEX I B. (See end of Document for details)

After the VU activation, the VU shall enforce time adjustment data write and delete access rules (requirement 100).

The VU shall enforce appropriate read and write access rights to security data (requirement 080).

4.2.4. File structure and access conditions

Application and data files structure and access conditions shall be created during the manufacturing process, and then locked from any future modification or deletion.

4.3. Accountability

The VU shall ensure that drivers are accountable for their activities (requirements 081, 084, 087, 105a, 105b, 109 and 109a).

The VU shall hold permanent identification data (requirement 075).

The VU shall ensure that workshops are accountable for their activities (requirements 098, 101 and 109).

The VU shall ensure that controllers are accountable for their activities (requirements 102, 103 and 109).

The VU shall record odometer data (requirement 090) and detailed speed data (requirement 093).

The VU shall ensure that user data related to requirements 081 to 093 and 102 to 105b inclusive are not modified once recorded, except when becoming oldest stored data to be replaced by new data.

The VU shall ensure that it does not modify data already stored in a tachograph card (requirements 109 and 109a) except for replacing oldest data by new data (requirement 110) or in the case described in Appendix 1 Paragraph 2.1 Note.

4.4. Audit

Audit capabilities are required only for events that may indicate a manipulation or a security breach attempt. It is not required for the normal exercising of rights even if relevant to security.

The VU shall, for events impairing the security of the VU, record those events with associated data (requirements 094, 096 and 109).

The events affecting the security of the VU are the following:

- Security breach attempts,
 - motion sensor authentication failure,
 - tachograph card authentication failure,
 - unauthorised change of motion sensor,
 - card data input integrity error,
 - stored user data integrity error,
 - internal data transfer error,
 - unauthorised case opening,
 - hardware sabotage,
- last card session not correctly closed,
- motion data error event,
- power supply interruption event,
- VU internal fault.

Status: Point in time view as at 22/02/2016.

Changes to legislation: There are currently no known outstanding effects for the Council Regulation (EEC) No 3821/85, ANNEX I B. (See end of Document for details)

The VU shall enforce audit records storage rules (requirement 094 and 096).

The VU shall store audit records generated by the motion sensor in its data memory.

It shall be possible to print, display and download audit records.

4.5. Object re-use

The VU shall ensure that temporary storage objects can be re-used without this involving inadmissible information flow.

4.6. Accuracy

4.6.1. Information flow control policy

The VU shall ensure that user data related to requirements 081, 084, 087, 090, 093, 102, 104, 105, 105a and 109 may only be processed from the right input sources:

- vehicle motion data,
- VU's real time clock,
- recording equipment calibration parameters,
- tachograph cards,
- user's inputs.

The VU shall ensure that user data related to requirement 109a may only be entered for the period last card withdrawal — current insertion (requirement 050a).

4.6.2. Internal data transfers

The requirements of this paragraph apply only if the VU makes use of physically separated parts.

If data are transferred between physically separated parts of the VU, the data shall be protected from modification.

Upon detection of a data transfer error during an internal transfer, transmission shall be repeated and the SEF shall generate an audit record of the event.

4.6.3. Stored data integrity

The VU shall check user data stored in the data memory for integrity errors.

Upon detection of a stored user data integrity error, the SEF shall generate an audit record.

4.7. Reliability of service

4.7.1. Tests

All commands, actions or test points, specific to the testing needs of the manufacturing phase of the VU shall be disabled or removed before the VU activation. It shall not be possible to restore them for later use.

The VU shall run self tests, during initial start-up, and during normal operation to verify its correct operation. The VU self tests shall include a verification of the integrity of security data and a verification of the integrity of stored executable code (if not in ROM).

Upon detection of an internal fault during self test, the SEF shall:

- generate an audit record (except in calibration mode) (VU internal fault),
- Preserve the stored data integrity.

4.7.2. Software

Status: Point in time view as at 22/02/2016.

Changes to legislation: There are currently no known outstanding effects for the Council Regulation (EEC) No 3821/85, ANNEX I B. (See end of Document for details)

There shall be no way to analyse or debug software in the field after the VU activation.

Inputs from external sources shall not be accepted as executable code.

4.7.3. Physical protection

If the VU is designed so that it can be opened, the VU shall detect any case opening, except in calibration mode, even without external power supply for a minimum of six months. In such a case, the SEF shall generate an audit record (It is acceptable that the audit record is generated and stored after power supply reconnection).

If the VU is designed so that it cannot be opened, it shall be designed such that physical tampering attempts can be easily detected (e.g. through visual inspection).

After its activation, the VU shall detect specified (TBD by manufacturer) hardware sabotage.

In the case described above, the SEF shall generate an audit record and the VU shall: (TBD by manufacturer).

4.7.4. Power supply interruptions

The VU shall detect deviations from the specified values of the power supply, including cut-off.

In the case described above, the SEF shall:

- generate an audit record (except in calibration mode),
- preserve the secure state of the VU,
- maintain the security functions, related to components or processes still operational,
- preserve the stored data integrity.

4.7.5. Reset conditions

In case of a power supply interruption, or if a transaction is stopped before completion, or on any other reset conditions, the VU shall be reset cleanly.

4.7.6. Data availability

The VU shall ensure that access to resources is obtained when required and that resources are not requested nor retained unnecessarily.

The VU must ensure that cards cannot be released before relevant data have been stored to them (requirements 015 and 016)

In the case described above, the SEF shall generate an audit record of the event.

4.7.7. Multiple applications

If the VU provides applications other than the tachograph application, all applications shall be physically and/or logically separated from each other. These applications shall not share security data. Only one task shall be active at a time.

4.8. Data exchange

This paragraph addresses data exchange between the VU and connected devices.

4.8.1. Data exchange with motion sensor

The VU shall verify the integrity and authenticity of motion data imported from the motion sensor

Status: Point in time view as at 22/02/2016.

Changes to legislation: There are currently no known outstanding effects for the Council Regulation (EEC) No 3821/85, ANNEX I B. (See end of Document for details)

Upon detection of a motion data integrity or authenticity error, the SEF shall:

- generate an audit record,
- continue to use imported data.

4.8.2. Data exchange with tachograph cards

The VU shall verify the integrity and authenticity of data imported from tachograph cards.

Upon detection of card data integrity or authenticity error, the VU shall:

- generate an audit record,
- not use the data.

The VU shall export data to tachograph smart cards with associated security attributes such that the card will be able to verify its integrity and authenticity.

4.8.3. Data exchange with external storage media (downloading function)

The VU shall generate an evidence of origin for data downloaded to external media.

The VU shall provide a capability to verify the evidence of origin of downloaded data to the recipient.

The VU shall download data to external storage media with associated security attributes such that downloaded data integrity and authenticity can be verified.

4.9. Cryptographic support

The requirements of this paragraph are applicable only where needed, depending upon security mechanisms used and upon the manufacturer's solutions.

Any cryptographic operation performed by the VU shall be in accordance with a specified algorithm and a specified key size.

If the VU generates cryptographic keys, it shall be in accordance with specified cryptographic key generation algorithms and specified cryptographic key sizes.

If the VU distributes cryptographic keys, it shall be in accordance with specified key distribution methods.

If the VU accesses cryptographic keys, it shall be in accordance with specified cryptographic keys access methods.

If the VU destroys cryptographic keys, it shall be in accordance with specified cryptographic keys destruction methods.

5. Definition of security mechanisms

Required security mechanisms are specified in Appendix 11.

All other security mechanisms are to be defined by manufacturers.

6. Minimum strength of security mechanisms

The minimum strength of the Vehicle Unit security mechanisms is *High*, as defined in (ITSEC).

7. Level of assurance

The target level of assurance for the Vehicle Unit is ITSEC level E3, as defined in (ITSEC).

8. Rationale

Status: Point in time view as at 22/02/2016.

Changes to legislation: There are currently no known outstanding effects for the Council Regulation (EEC) No 3821/85, ANNEX I B. (See end of Document for details)

The following matrixes give a rationale for the SEFs by showing:

- which SEFs or means counteract which threats,
- which SEFs fulfil which IT security objectives.

| | Threats | | | | | | | | | | | | | | | | IT Objectives | | | | | | | | | | | | |
|--|---------|----------------|--------|-------|--------|------------------------|--------------------|-------|-------------|--------------|----------|-------------|---------------|-------------|--|---------------|---------------|-------------|--------|----------------|-------|----------------|-----------|--------|------------|-------------|-----------------------|--|---|
| | Access | Identification | Faults | Tests | Design | Calibration_Parameters | Card_Data_Exchange | Clock | Environment | Fake_Devices | Hardware | Motion_Data | Non_Activated | Output_Data | Power_Supply (intentionally left blank) | Security_Data | Software | Stored_Data | Access | Accountability | Audit | Authentication | Integrity | Output | Processing | Reliability | Secured_Data_Exchange | | |
| Physical personnel procedural means | | | | | | | | | | | | | | | | | | | | | | | | | | | | | |
| Development | | | x | x | x | | | | | | | | | | | | | | | | | | | | | | | | |
| Manufacturing | | | | x | x | | | | | | | | | | | | | | | | | | | | | | | | |
| Delivery | | | | | | | | | | | | | | x | | | | | | | | | | | | | | | |
| Activation | x | | | | | | | | | | | | x | | | | | | | | | | | | | | | | |
| Security data generation | | | | | | | | | | | | | | | | | x | | | | | | | | | | | | |
| Security data transport | | | | | | | | | | | | | | | | | x | | | | | | | | | | | | |
| Card availability | x | | | | | | | | | | | | | | | | | | | | | | | | | | | | |
| One driver card | x | | | | | | | | | | | | | | | | | | | | | | | | | | | | |
| Card traceability | x | | | | | | | | | | | | | | | | | | | | | | | | | | | | |
| Approved workshops | | | | | | x | | x | | | | | | | | | | | | | | | | | | | | | |
| Regular inspection calibration | | | | | | x | | x | | x | | | | | x | | x | | | | | | | | | | | | |
| Faithful workshops | | | | | | x | | x | | | | | | | | | | | | | | | | | | | | | |
| Faithful drivers | x | | | | | | | | | | | | | | | | | | | | | | | | | | | | |
| Law enforcement controls | x | | | | | x | | x | x | x | x | x | x | x | x | x | x | x | | | | | | | | | | | |
| Software upgrade | | | | | | | | | | | | | | | | | | x | | | | | | | | | | | |
| Security-enforcing functions | | | | | | | | | | | | | | | | | | | | | | | | | | | | | |
| Identification and authentication | | | | | | | | | | | | | | | | | | | | | | | | | | | | | |
| UIA_201 Sensor identification | | | | | | | | | | x | x | | | | | | | | | | | x | | | | | | | x |
| UIA_202 Sensor identity | | | | | | | | | | x | x | | | | | | | | | | | x | | | | | | | |
| UIA_203 Sensor authentication | | | | | | | | | | x | x | | | | | | | | | | | x | | | | | | | x |
| UIA_204 Sensor re-identification and re-authentication | | | | | | | | | | x | x | | | | | | | | | | | x | | | | | | | x |
| UIA_205 Unforgeable authentication | | | | | | | | | | x | x | | | | | | | | | | | x | | | | | | | |
| UIA_206 Authentication failure | | | | | | | | | | x | x | | | | | | | | | | | x | | | | | | | x |
| UIA_207 Users identification | x | x | | | | | | | | x | | | | | | | | | | | x | | x | | | | | | x |
| UIA_208 User identity | x | x | | | | | | | | x | | | | | | | | | | | x | | x | | | | | | |
| UIA_209 User authentication | x | x | | | | | | | | x | | | | | | | | | | | x | | x | | | | | | x |
| UIA_210 User re-authentication | x | x | | | | | | | | x | | | | | | | | | | | x | | x | | | | | | x |
| UIA_211 Authentication means | x | x | | | | | | | | x | | | | | | | | | | | x | | x | | | | | | |
| UIA_212 PIN checks | x | x | | | | x | x | | | | | | | | | | | | | | x | | x | | | | | | |
| UIA_213 Unforgeable authentication | x | x | | | | | | | | x | | | | | | | | | | | x | | x | | | | | | |
| UIA_214 Authentication failure | x | x | | | | | | | | x | | | | | | | | | | | | x | | | | | | | |
| UIA_215 Remote user identification | x | x | | | | | | | | | | | | | | | | | | | x | | x | | | | | | x |
| UIA_216 Remote user identity | x | x | | | | | | | | | | | | | | | | | | | x | | x | | | | | | |
| UIA_217 Remote user authentication | x | x | | | | | | | | | | | | | | | | | | | x | | x | | | | | | x |
| UIA_218 Authentication means | x | x | | | | | | | | | | | | | | | | | | | x | | x | | | | | | |
| UIA_219 Unforgeable authentication | x | x | | | | | | | | | | | | | | | | | | | x | | x | | | | | | |
| UIA_220 Authentication failure | x | x | | | | | | | | | | | | | | | | | | | | | | | | | | | |

XI

Status: Point in time view as at 22/02/2016.

Changes to legislation: There are currently no known outstanding effects for the Council Regulation (EEC) No 3821/85, ANNEX I B. (See end of Document for details)

| | | Threats | | | | | | | | | | | | | | IT Objectives | | | | | | | | | | | | |
|----------------------|-----------------------------------|---------|----------------|--------|-------|--------|------------------------|--------------------|-------|-------------|--------------|----------|-------------|---------------|-------------|--|---------------|----------|-------------|--------|----------------|-------|----------------|-----------|--------|------------|-------------|-----------------------|
| | | Access | Identification | Faults | Tests | Design | Calibration_Parameters | Card_Data_Exchange | Clock | Environment | Fake_Devices | Hardware | Motion_Data | Non_Activated | Output_Data | Power_Supply (intentionally left blank) | Security_Data | Software | Stored_Data | Access | Accountability | Audit | Authentication | Integrity | Output | Processing | Reliability | Secured_Data_Exchange |
| Accuracy | | | | | | | | | | | | | | | | | | | | | | | | | | | | |
| ACR_201 | Information flow control policy | | | | | | x | | | x | | x | | | | | | | | | | | | | | | x | x |
| ACR_202 | Internal transfers | | | | | | | | | | | | | | x | | | | | | | | | | x | x | x | |
| ACR_203 | Internal transfers | | | | | | | | | | | | | | x | | | | | | | x | | | | | | |
| ACR_204 | Stored data integrity | | | | | | | | | | | | | | | | | | x | | | | x | | | | | x |
| ACR_205 | Stored data integrity | | | | | | | | | | | | | | | | | | x | | | x | | | | | | |
| Reliability | | | | | | | | | | | | | | | | | | | | | | | | | | | | |
| RLB_201 | Manufacturing tests | | | x | x | | | | | | | | | | | | | | | | | | | | | | | x |
| RLB_202 | Self tests | | x | | | | | | | x | | | | | x | | | x | | | | | | | | | | x |
| RLB_203 | Self tests | | | | | | | | | x | | | | | x | | | x | | | | x | | | | | | |
| RLB_204 | Software analysis | | | | | x | | | | | | | | | | | | x | | | | | | | | | | x |
| RLB_205 | Software input | | | | | | | | | | | | | | | | | x | | | | | | x | x | x | | |
| RLB_206 | Case opening | | | | x | | | | x | | x | | | | x | | x | x | x | | | | | | x | | | x |
| RLB_207 | Hardware sabotage | | | | | | | | | x | | | | | | | | | | | | | | | | | | x |
| RLB_208 | Hardware sabotage | | | | | | | | | | x | | | | | | | | | | | x | | | | | | |
| RLB_209 | Power supply interruptions | | | | | | | | | | | | | | | x | | | | | | | | | | | | x |
| RLB_210 | Power supply interruptions | | | | | | | | | | | | | | | x | | | | | | x | | | | | | |
| RLB_211 | Reset | | | x | | | | | | | | | | | | | | | | | | | | | | | | x |
| RLB_212 | Data availability | | | | | | | | | | | | | | | | | | | | | | | | | x | x | |
| RLB_213 | Card release | | | | | | | | | | | | | | | | | | | | | | | | | | | x |
| RLB_214 | Card session not correctly closed | | | | | | | | | | | | | | | | | | | | | x | | | | | | |
| RLB_215 | Multiple applications | | | | | | | | | | | | | | | | | | | | | | | | | | | x |
| Data exchange | | | | | | | | | | | | | | | | | | | | | | | | | | | | |
| DEX_201 | Secured motion data import | | | | | | | | | | | | | | | | | | | | | | | | | | | x |
| DEX_202 | Secured motion data import | | | | | | | | | | | | | | | | | | | | | | x | | | | | |
| DEX_203 | Secured card data import | | | | | | x | | | | | | | | | | | | | | | | | | | | | x |
| DEX_204 | Secured card data import | | | | | | x | | | | | | | | | | | | | | | | x | | | | | |
| DEX_205 | Secured data export to cards | | | | | | x | | | | | | | | | | | | | | | | | | | | | x |
| DEX_206 | Evidence of origin | | | | | | | | | | | | | | | x | | | | | | | | | | x | | |
| DEX_207 | Evidence of origin | | | | | | | | | | | | | | | x | | | | | | | | | | x | | |
| DEX_208 | Secured export to external media | | | | | | | | | | | | | | | x | | | | | | | | | | x | | |

Status: Point in time view as at 22/02/2016.

Changes to legislation: There are currently no known outstanding effects for the Council Regulation (EEC) No 3821/85, ANNEX I B. (See end of Document for details)

| | | Threats | | | | | | | | | | | | | | IT Objectives | | | | | | | | | | | | | |
|------------------------------|------------------|---------|----------------|--------|-------|--------|------------------------|--------------------|-------|-------------|--------------|----------|-------------|---------------|-------------|--|---------------|----------|-------------|--------|----------------|-------|----------------|-----------|--------|------------|-------------|-----------------------|---|
| | | Access | Identification | Faults | Tests | Design | Calibration_Parameters | Card_Data_Exchange | Clock | Environment | Fake_Devices | Hardware | Motion_Data | Non_Activated | Output_Data | Power_Supply (intentionally left blank) | Security_Data | Software | Stored_Data | Access | Accountability | Audit | Authentication | Integrity | Output | Processing | Reliability | Secured_Data_Exchange | |
| Cryptographic support | | | | | | | | | | | | | | | | | | | | | | | | | | | | | |
| CSP_201 | Algorithms | | | | | | | | | | | | | | | | | | | | | | | | | | | x | x |
| CSP_202 | key generation | | | | | | | | | | | | | | | | | | | | | | | | | | | x | x |
| CSP_203 | key distribution | | | | | | | | | | | | | | | | | | | | | | | | | | | x | x |
| CSP_204 | key access | | | | | | | | | | | | | | | | | | | | | | | | | | | x | x |
| CSP_205 | key destruction | | | | | | | | | | | | | | | | | | | | | | | | | | | x | x |

TACHOGRAPH CARD GENERIC SECURITY TARGET

1. Introduction

This document contains a description of the tachograph card, of the threats it must be able to counteract and of the security objectives it must achieve. It specifies the required security enforcing functions. It states the claimed minimum strength of security mechanisms, and the required level of assurance for the development and the evaluation.

Requirements referred to in the document, are those of the body of Annex I B. For clarity of reading, duplication sometimes arises between Annex I B body requirements and security target requirements. In case of ambiguity between a security target requirement and the Annex I B requirement referred by this security target requirement, the Annex I B body requirement shall prevail.

Annex I B body requirements not referred by security targets are not the subject of security enforcing functions.

A tachograph card is a standard smart card carrying a dedicated tachograph application, and shall comply with up-to-date functional and assurance security requirements applicable to smart cards. This security target therefore incorporates only the extra security requirements needed by the tachograph application.

Unique labels have been assigned to threats, objectives, procedural means and SEF specifications for the purpose of traceability to development and evaluation documentation.

2. Abbreviations, definitions and references

2.1. Abbreviations

| | |
|-----|--|
| IC | Integrated Circuit (electronic component designed to perform processing and/or memory functions) |
| OS | Operating system |
| PIN | Personal identification number |
| ROM | Read only memory |
| SFP | Security functions policy |
| TBD | To be defined |
| TOE | Target of evaluation |
| TSF | TOE security function |

Status: Point in time view as at 22/02/2016.

Changes to legislation: There are currently no known outstanding effects for the Council Regulation (EEC) No 3821/85, ANNEX I B. (See end of Document for details)

| | |
|--------------------------------|--|
| VU | Vehicle unit. |
| 2.2. | Definitions |
| Digital tachograph | Recording equipment. |
| Sensitive data | Data stored by the tachograph card that need to be protected for integrity, unauthorised modification and confidentiality (where applicable for security data). Sensitive data includes security data and user data. |
| Security data | The specific data needed to support security enforcing functions (e.g. crypto keys). |
| System | Equipment, people or organisations involved in any way with the recording equipment. |
| User | Any entity (human user or external IT entity) outside the TOE that interacts with the TOE (when not used in the expression ‘user data’). |
| User data | Sensitive data stored in the tachograph card, other than security data. User data include identification data and activity data. |
| Identification data | Identification data include card identification data and cardholder identification data. |
| Card identification data | User data related to card identification as defined by requirements 190, 191, 192, 194, 215, 231 and 235. |
| Cardholder identification data | User data related to cardholder identification as defined by requirements 195, 196, 216, 232 and 236. |
| Activity data | Activity data include cardholder activities data, events and faults data and control activity data. |
| Cardholder activities data | User data related to the activities carried by the cardholder as defined by requirements 197, 199, 202, 212, 212a, 217, 219, 221, 226, 227, 229, 230a, 233 and 237. |
| Events and faults data | User data related to events or faults as defined by requirements 204, 205, 207, 208 and 223. |
| Control activity data | User data related to law enforcement controls as defined by requirements 210 and 225. |
| 2.3. | References |
| ITSEC | ITSEC Information Technology Security Evaluation Criteria 1991 |
| IC PP | Smartcard Integrated Circuit Protection Profile — version 2.0 — issue September 1998. Registered at French certification body under the number PP/9806 |
| ES PP | Smart Card Integrated Circuit With Embedded Software Protection Profile — version 2.0 — issue June 99. Registered at French certification body under the number PP/9911 |

3. Product Rationale

3.1. Tachograph card description and method of use

A tachograph card is a smart card, as described in (IC PP) and (ES PP), carrying an application intended for its use with the recording equipment.

The basic functions of the tachograph card are:

- to store card identification and card holder identification data. These data are used by the vehicle unit to identify the cardholder, provide accordingly functions and data access rights, and ensure cardholder accountability for his activities,
- to store cardholder activities data, events and faults data and control activities data, related to the cardholder.

Status: Point in time view as at 22/02/2016.

Changes to legislation: There are currently no known outstanding effects for the Council Regulation (EEC) No 3821/85, ANNEX I B. (See end of Document for details)

A tachograph card is therefore intended to be used by a card interface device of a vehicle unit. It may also be used by any card reader (e.g. of a personal computer) which shall have full read access right on any user data.

During the end-usage phase of a tachograph card life cycle (phase 7 of life-cycle as described in (ES PP)), vehicle units only may write user data to the card.

The functional requirements for a tachograph card are specified in Annex I B body text and Appendix 2.

3.2. Tachograph card life cycle

The tachograph card life cycle conforms to smart card life cycle described in (ES PP).

3.3. Threats

In addition to the smart card general threats listed in (ES PP) and (IC PP), the tachograph card may face the following threats:

3.3.1. Final aims

The final aim of attackers will be to modify user data stored within the TOE.

| | |
|-----------------|---|
| T.Ident_Data | A successful modification of identification data held by the TOE (e.g. the type of card, or the card expiry date or the cardholder identification data) would allow a fraudulent use of the TOE and would be a major threat to the global security objective of the system. |
| T.Activity_Data | A successful modification of activity data stored in the TOE would be a threat to the security of the TOE. |
| T.Data_Exchange | A successful modification of activity data (addition, deletion, modification) during import or export would be a threat to the security of the TOE. |

3.3.2. Attack paths

TOE's assets may be attacked by:

- trying to gain illicit knowledge of TOE's hardware and software design and especially of its security functions or security data. Illicit knowledge may be gained through attacks to designer or manufacturer material (theft, bribery, ...) or through direct examination of the TOE (physical probing, inference analysis, ...),
- taking advantage of weaknesses in TOE design or realisation (exploit errors in hardware, errors in software, transmission faults, errors induced in TOE by environmental stress, exploit weaknesses of security functions such as authentication procedures, data access control, cryptographic operations, ...),
- modifying the TOE or its security functions through physical, electrical or logical attacks or combination of these.

3.4. Security Objectives

The main security objective of the entire digital tachograph system is the following:

| | |
|--------|---|
| O.Main | The data to be checked by control authorities must be available and reflect fully and accurately the activity of controlled drivers and vehicles in terms of driving, work, availability and rest period and in terms of vehicle speed. |
|--------|---|

Therefore the main security objectives of the TOE, contributing to this global security objective are the following:

Status: Point in time view as at 22/02/2016.

Changes to legislation: There are currently no known outstanding effects for the Council Regulation (EEC) No 3821/85, ANNEX I B. (See end of Document for details)

- O.Card_Identification_Data TOE must preserve card identification data and cardholder identification data stored during card personalisation process,
O.Card_Activity_Storage The TOE must preserve user data stored in the card by vehicle units.

3.5. Information technology security objectives

In addition to the smart card general security objectives listed in (ES PP) and (IC PP), the specific IT security objectives of the TOE that contributes to its main security objectives during its end-usage life-cycle phase are the following:

- O.Data_Access The TOE must limit user data write access rights to authenticated vehicle units,
O.Secure_Communication The TOE must be able to support secure communication protocols and procedures between the card and the card interface device when required by the application.

3.6. Physical, personnel or procedural means

The physical, personnel or procedural requirements that contribute to the security of the TOE are listed in (ES PP) and (IC PP) (chapters security objectives for the environment).

4. Security enforcing functions

This paragraph refines some of the permitted operations such as assignment or selection of (ES PP) and provides additional SEF functional requirements.

4.1. Compliance to protection profiles

The TOE shall comply with (IC PP).

The TOE shall comply with (ES PP) as refined further.

4.2. User identification and authentication

The card must identify the entity in which it is inserted and know whether it is an authenticated vehicle unit or not. The card may export any user data whatever the entity it is connected to, except the control [F12 and the company card] which may export card holder identification data to authenticated vehicle units only (such that a controller is ensured that the vehicle unit is not a fake one by seeing his name on display or printouts).

Textual Amendments

F12 Inserted by [Commission Regulation \(EC\) No 432/2004 of 5 March 2004 adapting for the eighth time to technical progress Council Regulation \(EEC\) No 3821/85 of 20 December 1985 on recording equipment in road transport \(Text with EEA relevance\).](#)

4.2.1. User identification

Assignment (FIA_UID.1.1) *List of TSF mediated actions:* none.

[^{X1}**Assignment** (FIA_ATD.1.1) *List of security attributes:*

USER_GROUP : VEHICLE_UNIT, NON_VEHICLE_UNIT,
USER_ID : Vehicle Registration Number (VRN) and registering Member State code (USER_ID is known for USER_GROUP = VEHICLE_UNIT only).]

4.2.2. User authentication

Status: Point in time view as at 22/02/2016.

Changes to legislation: There are currently no known outstanding effects for the Council Regulation (EEC) No 3821/85, ANNEX I B. (See end of Document for details)

Assignment (FIA_UAU.1.1) *List of TSF mediated actions:*

- Driver and Workshop cards: export user data with security attributes (card data download function),
- Control card: export user data without security attributes except cardholder identification data.

Authentication of a vehicle unit shall be performed by means of proving that it possesses security data that only the system could distribute.

Selection (FIA_UAU.3.1 and FIA_UAU.3.2): prevent.

Assignment (FIA_UAU.4.1) *Identified authentication mechanism(s):* any authentication mechanism.

The Workshop card shall provide an additional authentication mechanism by checking a PIN code (This mechanism is intended for the vehicle unit to ensure the identity of the card holder, it is not intended to protect workshop card content).

4.2.3. Authentication failures

[^{F10}Additionally the following assignments describe the card reaction for each single user authentication failure.

Assignment (FIA_AFL.1.1) *Number: 1, list of authentication events:* authentication of a card interface device.

Assignment (FIA_AFL.1.2) *List of actions:*

- warn the entity connected,
- assume the user as NON_VEHICLE_UNIT.

Additionally the following assignments] describe the card reaction in the case of failure of the additional authentication mechanism required in UIA_302.

Assignment (FIA_AFL.1.1) *Number: 5, list of authentication events:* PIN checks (workshop card).

Assignment (FIA_AFL.1.2) *List of actions:*

- warn the entity connected,
- block the PIN check procedure such that any subsequent PIN check attempt will fail,
- be able to indicate to subsequent users the reason of the blocking.

4.3. Access control

4.3.1. Access control policy

During end-usage phase of its life cycle, the tachograph card is the subject of one single access control security function policy (SFP) named AC_SFP.

Assignment (FDP_ACC.2.1) *Access control SFP:* AC_SFP.

4.3.2. Access control functions

Assignment (FDP_ACF.1.1) *Access control SFP:* AC_SFP.

Assignment (FDP_ACF.1.1) *Named group of security attributes:* USER_GROUP.

Assignment (FDP_ACF.1.2) *Rules governing access among controlled subjects and controlled objects using controlled operations on controlled objects:*

Status: Point in time view as at 22/02/2016.

Changes to legislation: There are currently no known outstanding effects for the Council Regulation (EEC) No 3821/85, ANNEX I B. (See end of Document for details)

[^{F10}GENERAL_READ User data may be read from the TOE by any user, except cardholder identification data which may be read from control cards and company cards by VEHICLE_UNIT only.]

IDENTIF_WRITE : Identification data may only be written once and before the end of phase 6 of card's life-cycle. No user may write or modify identification data during end-usage phase of card's life-cycle.

ACTIVITY_WRITE: Activity data may be written to the TOE by VEHICLE_UNIT only.

SOFT_UPGRADE : No user may upgrade TOE's software.

FILE_STRUCTURE: Files structure and access conditions shall be created before end of phase 6 of TOE's life-cycle and then locked from any future modification or deletion by any user.

4.4. Accountability

The TOE shall hold permanent identification data.

There shall be an indication of the time and date of the TOE's personalisation. This indication shall remain unalterable.

4.5. Audit

The TOE must monitor events that indicate a potential violation of its security.

Assignment (FAU_SAA.1.2) Subset of defined auditable events:

- cardholder authentication failure (5 consecutive unsuccessful PIN checks),
- self test error,
- stored data integrity error,
- activity data input integrity error.

4.6. Accuracy

4.6.1. Stored data integrity

Assignment (FDP_SDI.2.2) *Actions to be taken*: warn the entity connected,

4.6.2. Basic data authentication

Assignment (FDP_DAU.1.1) *List of objects or information types*: activity data.

Assignment (FDP_DAU.1.2) *List of subjects*: any.

4.7. Reliability of service

4.7.1. Tests

Selection (FPT_TST.1.1): during initial start-up, periodically during normal operation.

Note: during initial start-up means before code is executed (and not necessarily during Answer To Reset procedure).

The TOE's self tests shall include the verification of the integrity of any software code not stored in ROM.

Upon detection of a self test error the TSF shall warn the entity connected.

After OS testing is completed, all testing-specific commands and actions shall be disabled or removed. It shall not be possible to override these controls and restore them for use. Command associated exclusively with one life cycle state shall never be accessed during another state.

Status: Point in time view as at 22/02/2016.

Changes to legislation: There are currently no known outstanding effects for the Council Regulation (EEC) No 3821/85, ANNEX I B. (See end of Document for details)

4.7.2. Software

There shall be no way to analyse, debug or modify TOE's software in the field.

Inputs from external sources shall not be accepted as executable code.

4.7.3. Power supply

The TOE shall preserve a secure state during power supply cut-off or variations.

4.7.4. Reset conditions

If power is cut (or if power variations occur) from the TOE, or if a transaction is stopped before completion, or on any other reset conditions, the TOE shall be reset cleanly.

4.8. Data exchange

4.8.1. Data exchange with a vehicle unit

The TOE shall verify the integrity and authenticity of data imported from a vehicle unit.

Upon detection of an imported data integrity error, the TOE shall:

- warn the entity sending the data,
- not use the data.

The TOE shall export user data to the vehicle unit with associated security attributes, such that the vehicle unit will be able to verify the integrity and authenticity of data received.

4.8.2. Export of data to a non-vehicle unit (download function)

The TOE shall be able to generate an evidence of origin for data downloaded to external media.

The TOE shall be able to provide a capability to verify the evidence of origin of downloaded data to the recipient.

The TOE shall be able to download data to external storage media with associated security attributes such that downloaded data integrity can be verified.

4.9. Cryptographic support

If the TSF generates cryptographic keys, it shall be in accordance with specified cryptographic key generation algorithms and specified cryptographic key sizes. Generated cryptographic session keys shall have a limited (TBD by manufacturer and not more than 240) number of possible use.

If the TSF distributes cryptographic keys, it shall be in accordance with specified cryptographic key distribution methods.

5. Definition of security mechanisms

Required security mechanisms are specified in Appendix 11.

All other security mechanisms are to be defined by the TOE manufacturer.

6. Claimed minimum strength of mechanisms

The minimum strength of mechanisms for the Tachograph Card is *High* as defined in (ITSEC).

7. Level of Assurance

Status: Point in time view as at 22/02/2016.

Changes to legislation: There are currently no known outstanding effects for the Council Regulation (EEC) No 3821/85, ANNEX I B. (See end of Document for details)

Appendix 11

COMMON SECURITY MECHANISMS

1. GENERALITIES

This appendix specifies the security mechanisms ensuring:

- the mutual authentication between VUs and tachograph cards, including session key agreement,
- the confidentiality, integrity and authentication of data transferred between VUs and tachograph cards,
- the integrity and authentication of data downloaded from VUs to external storage media,
- the integrity and authentication of data downloaded from tachograph cards to external storage media.

1.1. References

The following references are used in this Appendix:

| | |
|----------------|---|
| SHA-1 | National Institute of Standards and Technology (NIST). FIPS Publication 180-1: Secure Hash Standard. April 1995 |
| PKCS1 | RSA Laboratories. PKCS # 1: RSA Encryption Standard. Version 2.0. October 1998 |
| TDES | National Institute of Standards and Technology (NIST). FIPS Publication 46-3: Data Encryption Standard. Draft 1999 |
| TDES-OP | ANSI X9.52, Triple Data Encryption Algorithm Modes of Operation. 1998 |
| ISO/IEC 7816-4 | Information Technology — Identification cards — Integrated circuit(s) cards with contacts — Part 4: Interindustry commands for interexchange. First edition: 1995 + Amendment 1: 1997 |
| ISO/IEC 7816-6 | Information Technology — Identification cards — Integrated circuit(s) cards with contacts — Part 6: Interindustry data elements. First edition: 1996 + Cor 1: 1998 |
| ISO/IEC 7816-8 | Information Technology — Identification cards — Integrated circuit(s) cards with contacts — Part 8: Security related interindustry commands. First edition 1999 |
| ISO/IEC 9796-2 | Information Technology — Security techniques — Digital signature schemes giving message recovery — Part 2: Mechanisms using a hash function. First edition: 1997 |
| ISO/IEC 9798-3 | Information Technology — Security techniques — Entity authentication mechanisms — Part 3: Entity authentication using a public key algorithm. Second edition 1998 |
| ISO 16844-3 | Road vehicles — Tachograph systems — Part 3: Motion sensor interface. |

1.2. Notations and abbreviated terms

The following notations and abbreviated terms are used in this Appendix:

| | |
|---|--|
| (K _a , K _b , K _c) | a key bundle for use by the triple data encryption algorithm |
| CA | Certification authority |
| CAR | Certification authority reference |
| CC | Cryptographic checksum |

Status: Point in time view as at 22/02/2016.

Changes to legislation: There are currently no known outstanding effects for the Council Regulation (EEC) No 3821/85, ANNEX I B. (See end of Document for details)

| | |
|--------------------------|---|
| CG | Cryptogram |
| CH | Command header |
| CHA | Certificate holder authorisation |
| CHR | Certificate holder reference |
| D() | Decryption with DES |
| DE | Data element |
| DO | Data object |
| <i>d</i> | RSA private key, private exponent |
| <i>e</i> | RSA public key, public exponent |
| E() | Encryption with DES |
| EQT | Equipment |
| <i>Hash()</i> | hash value, an output of <i>hash</i> |
| <i>Hash</i> | hash function |
| KID | Key identifier |
| Km | TDES key. Master Key defined in ISO 16844-3 |
| Km _{vu} | TDES key inserted in vehicle units |
| Km _{wc} | TDES key inserted in workshop cards |
| <i>m</i> | message representative an integer between 0 and <i>n</i> -1 |
| <i>n</i> | RSA keys, modulus |
| PB | Padding bytes |
| PI | Padding indicator byte (for use in cryptogram for confidentiality DO) |
| PV | Plain value |
| <i>s</i> | signature representative, an integer between 0 and <i>n</i> -1 |
| SSC | Send sequence counter |
| SM | Secure messaging |
| TCBC | TDEA cipher block chaining mode of operation |
| TDEA | Triple data encryption algorithm |
| TLV | Tag length value |
| VU | Vehicle unit |
| X.C | the certificate of user X issued by a certification authority |
| X.CA | a certification authority of user X |
| X.CA.PK _o X.C | the operation of unwrapping a certificate to extract a public key. It is an infix operator, whose left operand is the public key of a certification authority, and whose right operand is the certificate issued by that certification authority. The outcome is the public key of the user X whose certificate is the right operand, |
| X.PK | public key of a user X |
| X.PK[I] | RSA encipherment of some information I, using the public key of user X |
| X.SK | RSA private key of a user X |
| X.SK[I] | RSA encipherment of some information I, using the private key of user X |
| 'xx' | a Hexadecimal value |
| | concatenation operator. |

2. CRYPTOGRAPHIC SYSTEMS AND ALGORITHMS

2.1. Cryptographic systems

Vehicle units and tachograph cards shall use a classical RSA public-key cryptographic system to provide the following security mechanisms:

- authentication between vehicle units and cards,
- transport of Triple-DES session keys between vehicle units and tachograph cards,

Status: Point in time view as at 22/02/2016.

Changes to legislation: There are currently no known outstanding effects for the Council Regulation (EEC) No 3821/85, ANNEX I B. (See end of Document for details)

- digital signature of data downloaded from vehicle units or tachograph cards to external media.

Vehicle units and tachograph cards shall use a Triple DES symmetric cryptographic system to provide a mechanism for data integrity during user data exchange between vehicle units and tachograph cards, and to provide, where applicable, confidentiality of data exchange between vehicle units and tachograph cards.

2.2. Cryptographic algorithms

2.2.1. RSA algorithm

The RSA algorithm is fully defined by the following relations:

$$X.SK[m] = s = m^d \bmod n$$

$$X.PK[s] = m = s^e \bmod n$$

A more comprehensive description of the RSA function can be found in reference (PKCS1).

[^{F10}Public exponent, e, for RSA calculations is an integer between 3 and n-1 satisfying $\gcd(e, \text{lcm}(p-1, q-1))=1$.]

2.2.2. Hash algorithm

The digital signature mechanisms shall use the SHA-1 hash algorithm as defined in reference (SHA-1).

2.2.3. Data encryption algorithm

DES based algorithms shall be used in Cipher Block Chaining mode of operation.

3. KEYS AND CERTIFICATES

3.1. Keys generation and distribution

3.1.1. RSA keys generation and distribution

RSA keys shall be generated through three functional hierarchical levels:

- European level,
- Member State level,
- Equipment level.

At European level, a single European key pair (EUR.SK and EUR.PK) shall be generated. The European private key shall be used to certify the Member States public keys. Records of all certified keys shall be kept. These tasks shall be handled by a European certification authority, under the authority and responsibility of the European Commission.

At Member State level, a Member State key pair (MS.SK and MS.PK) shall be generated. Member States public keys shall be certified by the European Certification Authority. The Member State private key shall be used to certify public keys to be inserted in equipment (vehicle unit or tachograph card). Records of all certified public keys shall be kept with the identification of the equipment to which it is intended. These tasks shall be handled by a Member State certification authority. A Member State may regularly change its key pair.

Status: Point in time view as at 22/02/2016.

Changes to legislation: There are currently no known outstanding effects for the Council Regulation (EEC) No 3821/85, ANNEX I B. (See end of Document for details)

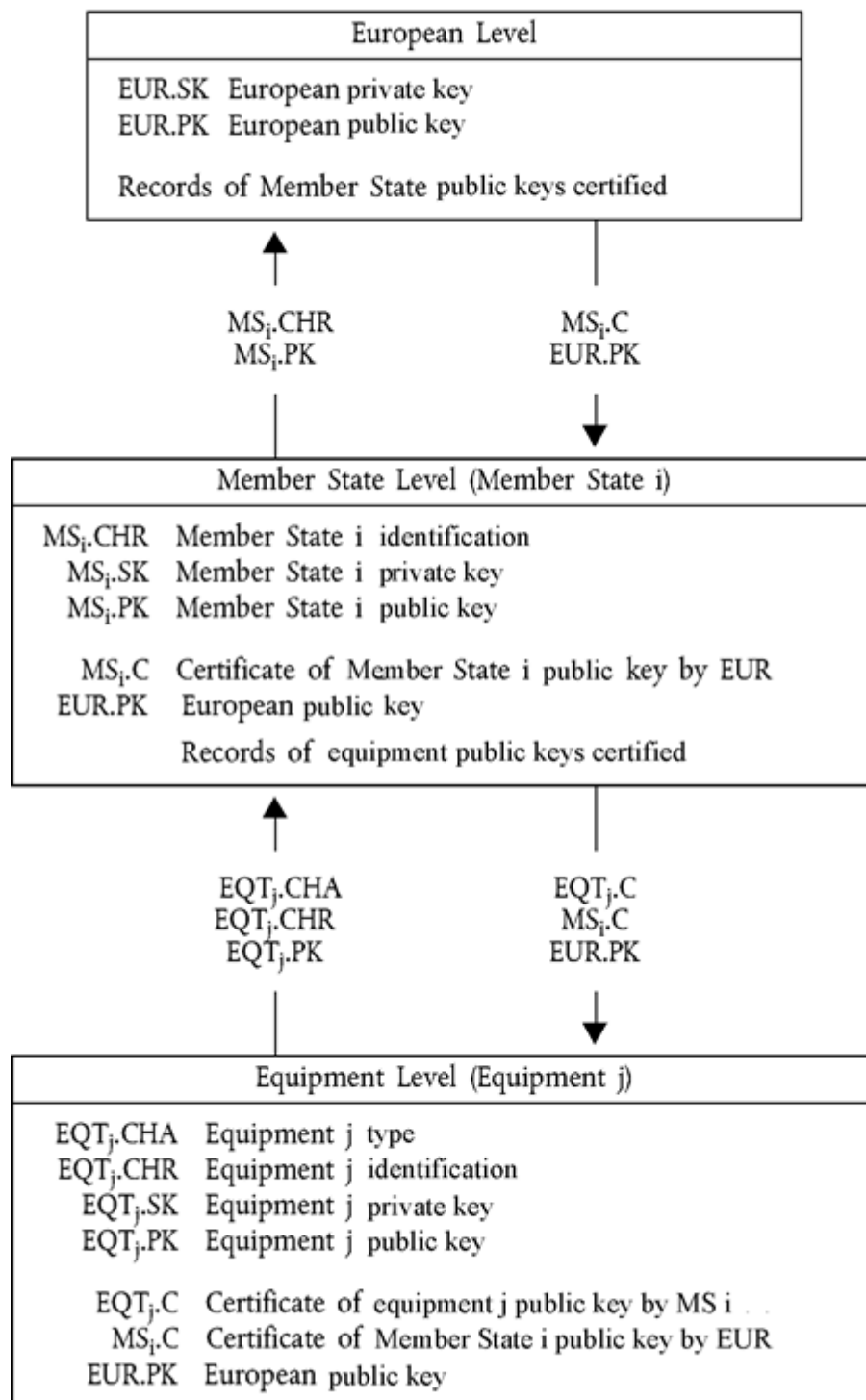
At equipment level, one single key pair (EQT.SK and EQT.PK) shall be generated and inserted in each equipment. Equipment public keys shall be certified by a Member State certification authority. These tasks may be handled by equipment manufacturers, equipment personalisers or Member State authorities. This key pair is used for authentication, digital signature and encipherment services

Private keys confidentiality shall be maintained during generation, transport (if any) and storage.

The following picture summarises the data flow of this process:

Status: Point in time view as at 22/02/2016.

Changes to legislation: There are currently no known outstanding effects for the Council Regulation (EEC) No 3821/85, ANNEX I B. (See end of Document for details)



3.1.2. RSA test keys

Status: Point in time view as at 22/02/2016.

Changes to legislation: There are currently no known outstanding effects for the Council Regulation (EEC) No 3821/85, ANNEX I B. (See end of Document for details)

For the purpose of equipment testing (including interoperability tests) the European certification authority shall generate a different single European test key pair and at least two Member State test key pairs, the public keys of which shall be certified with the European private test key. Manufacturers shall insert, in equipment undergoing type approval tests, test keys certified by one of these Member State test keys.

3.1.3. Motion sensor keys

The confidentiality of the three TDES keys described below shall be appropriately maintained during generation, transport (if any) and storage.

In order to support recording equipment compliant with ISO 16844, the European certification authority and the Member State certification authorities shall, in addition, ensure the following:

The European certification authority shall generate $K_{m_{VU}}$ and $K_{m_{WC}}$, two independent and unique Triple DES keys, and generate K_m as:

$$K_m = K_{m_{VU}} \text{ XOR } K_{m_{WC}}$$

The European certification authority shall forward these keys, under appropriately secured procedures, to Member States certification authorities at their request.

Member States certification authorities shall:

- use K_m to encrypt motion sensor data requested by motion sensor manufacturers (data to be encrypted with K_m is defined in ISO 16844-3),
- forward $K_{m_{VU}}$ to vehicle unit manufacturers, under appropriately secured procedures, for insertion in vehicle units,
- ensure that $K_{m_{WC}}$ will be inserted in all workshop cards (*SensorInstallationSecData* in *Sensor_Installation_Data* elementary file) during card personalisation.

3.1.4. T-DES session keys generation and distribution

Vehicle units and tachograph cards shall, as a part of the mutual authentication process, generate and exchange necessary data to elaborate a common Triple DES session key. This exchange of data shall be protected for confidentiality through an RSA crypt-mechanism.

This key shall be used for all subsequent cryptographic operations using secure messaging. Its validity shall expire at the end of the session (withdrawal of the card or reset of the card) and/or after 240 use (one use of the key = one command using secure messaging sent to the card and associated response).

3.2. Keys

RSA keys shall have (whatever the level) the following lengths: modulus n 1024 bits, public exponent e 64 bits maximum, private exponent d 1024 bits.

Triple DES keys shall have the form (K_a, K_b, K_a) where K_a and K_b are independent 64 bits long keys. No parity error detecting bits shall be set.

3.3. Certificates

RSA Public key certificates shall be 'non self-descriptive' 'Card Verifiable' certificates (Ref.: ISO/IEC 7816-8)

Status: Point in time view as at 22/02/2016.

Changes to legislation: There are currently no known outstanding effects for the Council Regulation (EEC) No 3821/85, ANNEX I B. (See end of Document for details)

3.3.1. Certificates content

RSA Public key certificates are built with the following data in the following order:

| Data | Format | Bytes | Obs |
|----------|--------------|-------|--|
| CPI | INTEGER | 1 | Certificate profile identifier ('01' for this version) |
| CAR | OCTET STRING | 8 | Certification authority reference |
| CHA | OCTET STRING | 7 | Certificate holder authorisation |
| EOV | TimeReal | 4 | Certificate end of validity. Optional, 'FF' padded if not used |
| CHR | OCTET STRING | 8 | Certificate holder reference |
| <i>n</i> | OCTET STRING | 128 | Public key (modulus) |
| <i>e</i> | OCTET STRING | 8 | Public key (public exponent) |
| | | 164 | |

Notes:

- The 'Certificate Profile Identifier' (CPI) delineates the exact structure of an authentication certificate. It can be used as an equipment internal identifier of a relevant headerlist which describes the concatenation of Data Elements within the certificate.

The headerlist associated with this certificate content is as follows:

| '4D' | '16' | '5F 29' | '01' | '42' | '08' | '5F 4B' | '07' | '5F 24' | '04' | '5F 20' | '08' | '7F 49' | '05' | '81' | '81 80' | '82' | '08' |
|-------------------------|-----------------------|---------|------------|---------|------------|---------|------------|---------|------------|---------|------------|------------------------------|--------------------------|-------------|----------------|---------------------|------------------------|
| Extended headerlist Tag | Length of header list | CPI Tag | CPI Length | CAR Tag | CAR Length | CHA Tag | CHA Length | EOV Tag | EOV Length | CHR Tag | CHR Length | Public key Tag (constructed) | Length of subsequent DOs | modulus Tag | modulus length | public exponent Tag | public exponent length |

- The 'Certification Authority Reference' (CAR) has the purpose of identifying the certificate issuing CA, in such a way that the data element can be used at the same time as an authority key identifier to reference the public key of the certification authority (for coding, see Key Identifier below).

Status: Point in time view as at 22/02/2016.

Changes to legislation: There are currently no known outstanding effects for the Council Regulation (EEC) No 3821/85, ANNEX I B. (See end of Document for details)

3. The 'Certificate Holder Authorisation' ((CHA) is used to identify the rights of the certificate holder. It consists of the Tachograph Application ID and of the type of equipment to which the certificate is intended (according to EquipmentType data element, '00' for a Member State).
4. 'Certificate Holder Reference' (CHR) has the purpose of identifying uniquely the certificate holder, in such a way that the Data Element can be used at the same time as a Subject Key Identifier to reference the Public Key of the certificate holder.
5. Key Identifiers uniquely identify certificate holder or certification authorities. They are coded as follows:
 - 5.1. Equipment (VU or Card):

| Data | Equipment serial number | Date | Type | Manufacturer |
|---------------|--------------------------------|------------------|-----------------------|---------------------|
| Length | 4 Bytes | 2 Bytes | 1 Byte | 1 Byte |
| Value | Integer | mm yy BCD coding | Manufacturer specific | Manufacturer code |

In the case of a VU, the manufacturer, when requesting certificates, may or may not know the identification of the equipment in which the keys will be inserted.

In the first case, the manufacturer will send the equipment identification with the public key to its Member State authority for certification. The certificate will then contain the equipment identification, and the manufacturer must ensure that keys and certificate are inserted in the intended equipment. The Key identifier has the form shown above.

In the later case, the manufacturer must uniquely identify each certificate request and send this identification with the public key to its Member State authority for certification. The certificate will contain the request identification. The manufacturer must feed back its Member State authority with the assignment of key to equipment (i.e. certificate request identification, equipment identification) after key installation in the equipment. The key identifier has the following form:

| Data | Certificate request serial number | Date | Type | Manufacturer |
|---------------|--|-----------------------------------|-------------|---------------------|
| Length | 4 Bytes | 2 Bytes | 1 Byte | 1 Byte |
| Value | [^{F10} Integer] | [^{X1} mm yy BCD coding] | 'FF' | Manufacturer code |

- 5.2. Certification Authority:

| Data | Authority identification | Key serial number | Additional info | Identifier |
|---------------|---------------------------------|--------------------------|------------------------|-------------------|
| Length | 4 Bytes | 1 Byte | 2 Bytes | 1 Byte |

Status: Point in time view as at 22/02/2016.

Changes to legislation: There are currently no known outstanding effects for the Council Regulation (EEC) No 3821/85, ANNEX I B. (See end of Document for details)

| | | | | |
|--------------|------------------------------------|---------|---------------------------------|------|
| Value | 1 Byte nation numerical code | Integer | additional coding (CA specific) | '01' |
| | 3 Bytes nation alphanumerical code | | 'FF FF' if not used | |

The key serial number is used to distinguish the different keys of a Member State, in the case the key is changed.

6. Certificate verifiers shall implicitly know that the public key certified is an RSA key relevant to authentication, digital signature verification and encipherment for confidentiality services (the certificate contains no Object Identifier to specify it).

3.3.2. Certificates issued

The certificate issued is a digital signature with partial recovery of the certificate content in accordance with ISO/IEC 9796-2 [F12] except for its Annex A.4], with the 'Certification Authority Reference' appended.

$$X.C = X.CA.SK['6A' || C_r || Hash(Cc) || 'BC'] || C_n || X.CAR$$

With certificate content

$$= Cc = \begin{matrix} C_r \\ 106 \text{ Bytes} \end{matrix} || \begin{matrix} C_n \\ 58 \text{ Bytes} \end{matrix}$$

Notes:

1. This certificate is 194 bytes long.
2. CAR, being hidden by the signature, is also appended to the signature, such that the public key of the certification authority may be selected for the verification of the certificate.
3. The certificate verifier shall implicitly know the algorithm used by the certification authority to sign the certificate.
4. The headerlist associated with this issued certificate is as follows:

Status: Point in time view as at 22/02/2016.

Changes to legislation: There are currently no known outstanding effects for the Council Regulation (EEC) No 3821/85, ANNEX I B. (See end of Document for details)

| | | | | | | | |
|-------------------------------------|--------------------------|---------------|------------------|---------------|------------------|---------|------------|
| '7F 21' | '09' | '5F 37' | '81 80' | '5F 38' | '3A' | '42' | '08' |
| CV Certificate Tag (Constructed) | Length of subsequent DOs | Signature Tag | Signature length | Remainder Tag | Remainder length | CAR Tag | CAR length |

3.3.3. Certificate verification and unwrapping

Certificate verification and unwrapping consists in verifying the signature in accordance with ISO/IEC 9796-2, retrieving the certificate content and the public key contained: X.PK = X.CA.PK₀X.C, and verifying the validity of the certificate.

It involves the following steps:

verify signature and retrieve content:

- from X.C retrieve Sign, C_n' and CAR':
- from CAR' select appropriate Certification Authority Public Key (if not done before through other means)
- open Sign with CA Public Key: Sr' = X.CA.PK [Sign],
- check Sr' starts with '6A' and ends with 'BC'
- compute Cr' and H' from:
- Recover certificate content C' = Cr' || C_n'
- check Hash(C') = H'

If the checks are OK the certificate is a genuine one, its content is C'.

Verify validity. From C':

- if applicable, check End of validity date,
- Retrieve and store public key, Key Identifier, Certificate Holder Authorisation and Certificate End of Validity from C':
- X.PK = n || e
 - X.KID = CHR
 - X.CHA = CHA
 - X.EOV = EOVS.

4. MUTUAL AUTHENTICATION MECHANISM

Mutual authentication between cards and VUs is based on the following principle:

Each party shall demonstrate to the other that it owns a valid key pair, the public key of which has been certified by a Member State certification authority, itself being certified by the European certification authority.

Status: Point in time view as at 22/02/2016.

Changes to legislation: There are currently no known outstanding effects for the Council Regulation (EEC) No 3821/85, ANNEX I B. (See end of Document for details)

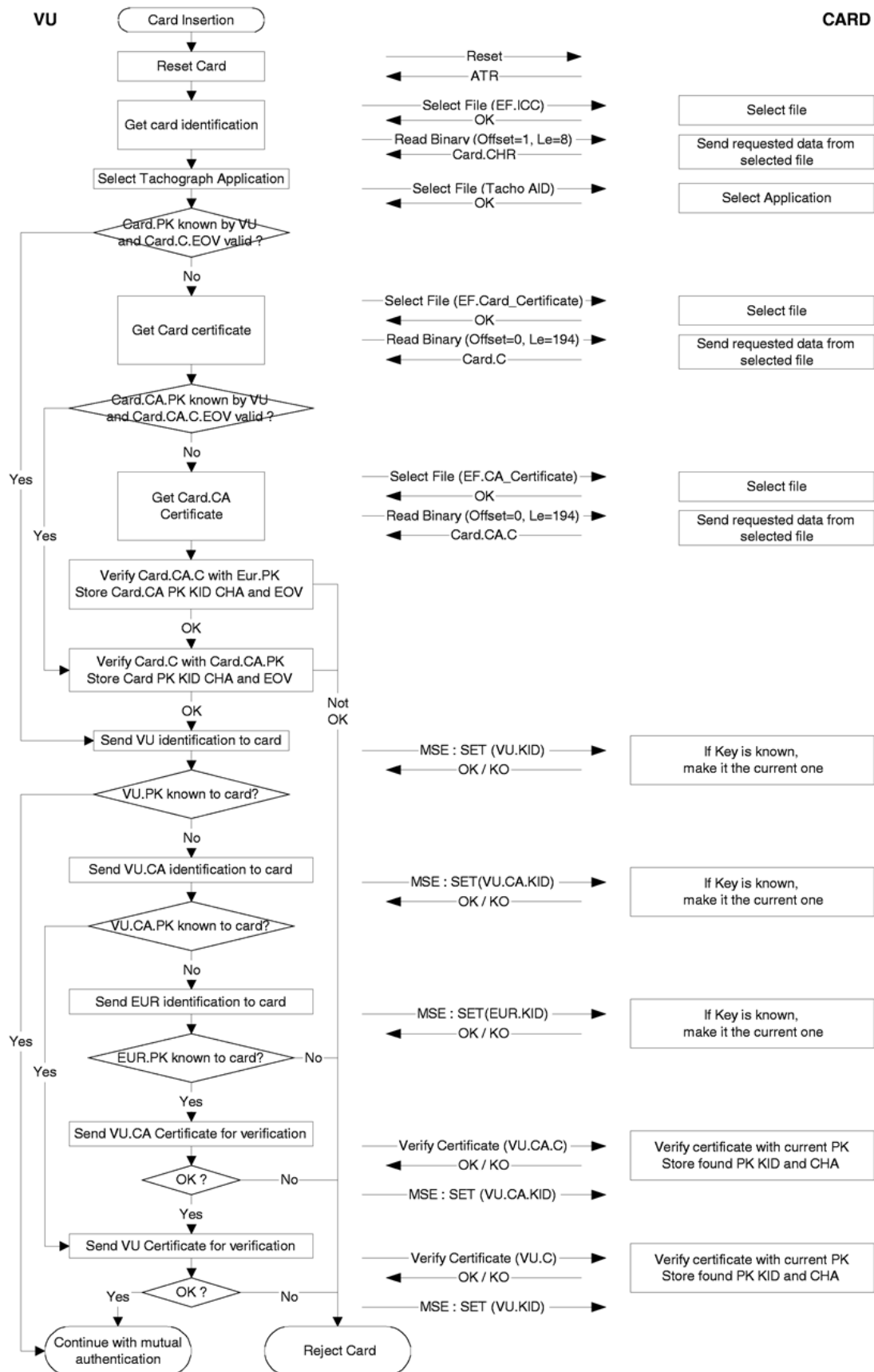
Demonstration is made by signing with the private key a random number sent by the other party, who must recover the random number sent when verifying this signature.

The mechanism is triggered at card insertion by the VU. It starts with the exchange of certificates and unwrapping of public keys, and ends with the setting of a session key.

The following protocol shall be used (arrows indicate commands and data exchanged (see Appendix 2)):

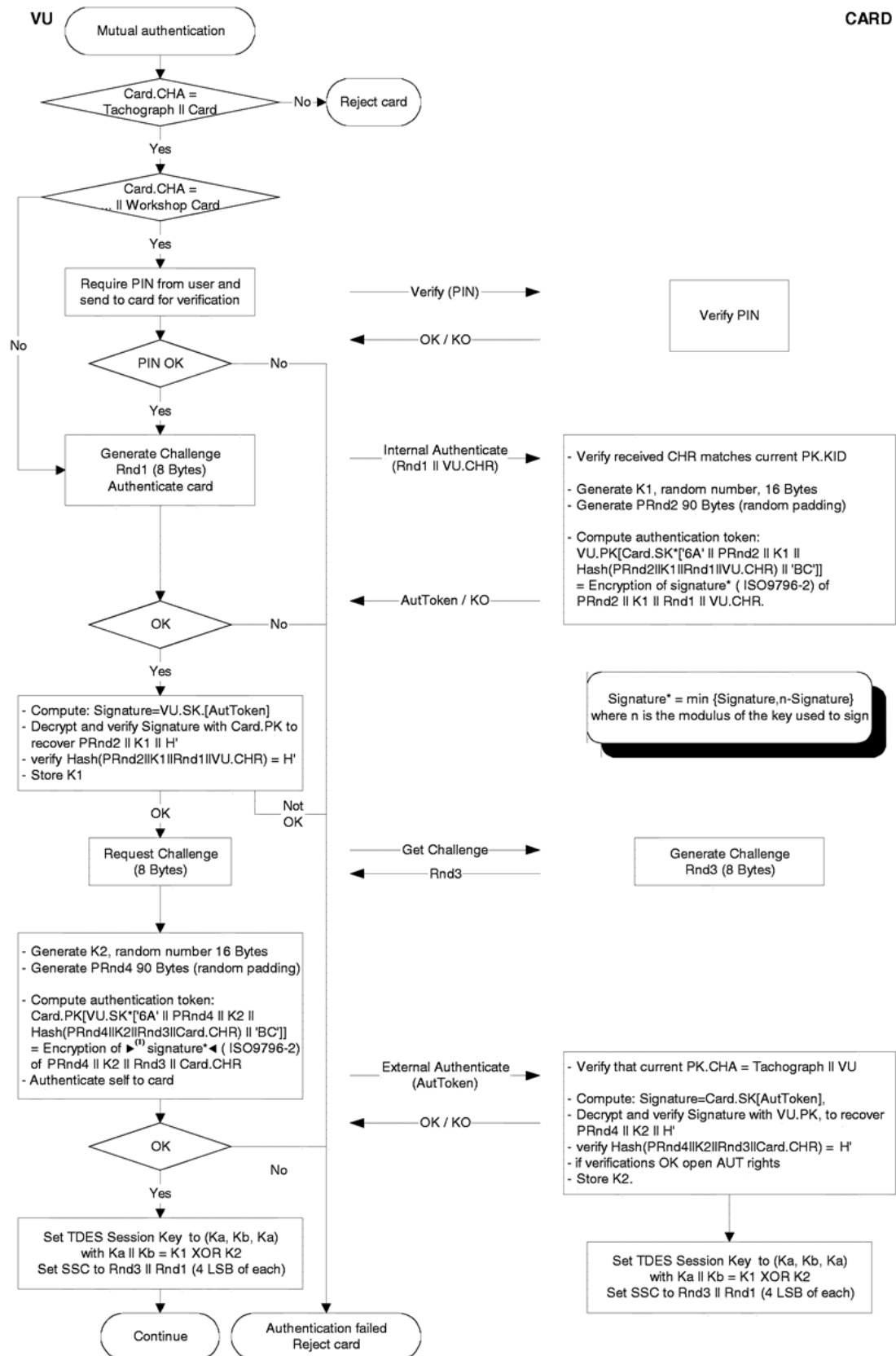
Status: Point in time view as at 22/02/2016.

Changes to legislation: There are currently no known outstanding effects for the Council Regulation (EEC) No 3821/85, ANNEX I B. (See end of Document for details)



Status: Point in time view as at 22/02/2016.

Changes to legislation: There are currently no known outstanding effects for the Council Regulation (EEC) No 3821/85, ANNEX I B. (See end of Document for details)



Status: Point in time view as at 22/02/2016.

Changes to legislation: There are currently no known outstanding effects for the Council Regulation (EEC) No 3821/85, ANNEX I B. (See end of Document for details)

5. VU-CARDS DATA TRANSFER CONFIDENTIALITY, INTEGRITY AND AUTHENTICATION MECHANISMS

5.1. Secure messaging

VU-cards data transfers integrity shall be protected through Secure Messaging in accordance with references (ISO/IEC 7816-4) and (ISO/IEC 7816-8).

When data need to be protected during transfer, a cryptographic checksum data object shall be appended to the data objects sent within the command or the response. The cryptographic checksum shall be verified by the receiver.

The cryptographic checksum of data sent within a command shall integrate the command header, and all data objects sent ($= > \text{CLA} = '0C'$, and all data objects shall be encapsulated with tags in which $b_1 = 1$).

The response status-information bytes shall be protected by a cryptographic checksum when the response contains no data field.

Cryptographic checksums shall be four bytes long.

The structure of commands and responses when using secure messaging is therefore the following:

The DOs used are a partial set of the Secure Messaging DOs described in ISO/IEC 7816-4:

| Tag | Mnemonic | Meaning |
|------|--------------------|---|
| '81' | T _{PV} | Plain Value not BER-TLV coded data (to be protected by CC) |
| '97' | T _{LE} | Value of Le in the unsecured command (to be protected by CC) |
| '99' | T _{SW} | Status-Info (to be protected by CC) |
| '8E' | T _{CC} | Cryptographic Checksum |
| '87' | T _{PI CG} | Padding Indicator Byte Cryptogram (Plain Value not coded in BER-TLV) |

Given an unsecured command response pair:

| Command header | | Command body | |
|---------------------------|--|--|-----|
| CLA INS P1 P2 | | (L _c -field) (Data field) (L _e -field) | |
| four bytes | | L bytes, denoted as B ₁ to B _L | |
| Response body | | Response trailer | |
| (Data field) | | SW1 | SW2 |
| L _r data bytes | | two bytes | |

Status: Point in time view as at 22/02/2016.

Changes to legislation: There are currently no known outstanding effects for the Council Regulation (EEC) No 3821/85, ANNEX I B. (See end of Document for details)

The corresponding secured command response pair is:

Secured command:

| Command body | | | | | | | | | | | |
|--------------|----------------------------|------------------|-----------------|------------|-----------------|-----------------|----------------|-----------------|-----------------|----------------------------|------|
| header | | | | | | | | | | | |
| (CH) | | | | | | | | | | | |
| CLA | (New L _c field) | (New Data field) | | | | | | | | (New L _e field) | |
| INS | | | | | | | | | | | |
| P1 | | | | | | | | | | | |
| P2 | | | | | | | | | | | |
| 'OC' | Length of new data field | T _{PV} | L _{PV} | PV | T _{LE} | L _{LE} | L _e | T _{CC} | L _{CC} | CC | '00' |
| | | '81' | L _c | Data field | '97' | '01' | L _e | '8E' | '04' | CC | |

Data to be integrated in checksum = CH || PB || T_{PV} || L_{PV} || PV || T_{LE} || L_{LE} || L_e || PB

[^{X1}PB = padding bytes (80..00) in accordance with ISO-IEC 7816-4 and ISO 9797 method 2]

DOs PV and LE are present only when there is some corresponding data in the unsecured command.

Secured response:

1. Case where response data field is not empty and needs not to be protected for confidentiality:

| Response body | | | | | | Response trailer |
|------------------|-----------------|------------|-----------------|-----------------|----|-------------------|
| (New data field) | | | | | | new SW1 SW2 |
| T _{PV} | L _{PV} | PV | T _{CC} | L _{CC} | CC | |
| '81' | L _r | Data field | '8E' | '04' | CC | |

Data to be integrated in checksum = T_{PV} || L_{PV} || PV || PB

2. Case where response data field is not empty and needs to be protected for confidentiality:

| Response body | | | | | | Response trailer |
|--------------------|--------------------|-------|-----------------|-----------------|----|-------------------|
| (New data field) | | | | | | new SW1 SW2 |
| T _{PI CG} | L _{PI CG} | PI CG | T _{CC} | L _{CC} | CC | |

Status: Point in time view as at 22/02/2016.

Changes to legislation: There are currently no known outstanding effects for the Council Regulation (EEC) No 3821/85, ANNEX I B. (See end of Document for details)

| | | | | | | |
|------|--|-------------|------|------|----|--|
| '87' | | PI CG | '8E' | '04' | CC | |
|------|--|-------------|------|------|----|--|

Data to be carried by CG: non BER-TLV coded data and padding bytes.

Data to be integrated in checksum = $T_{PI\ CG} || L_{PI\ CG} || PI\ CG\ PB$

3. Case where response data field is empty:

| Response body | | | | | | Response trailer |
|------------------|----------|-------------------|----------|----------|----|-------------------|
| (New data field) | | | | | | new SW1 SW2 |
| T_{SW} | L_{SW} | SW | T_{CC} | L_{CC} | CC | |
| '99' | '02' | New SW1 SW2 | '8E' | '04' | CC | |

Data to be integrated in checksum = $T_{SW} || L_{SW} || SW || PB$

5.2. Treatment of secure messaging errors

When the tachograph card recognises an SM error while interpreting a command, then the status bytes must be returned without SM. In accordance with ISO/IEC 7816-4, the following status bytes are defined to indicate SM errors:

'66 88' : verification of cryptographic checksum failed,
 '69 87' : expected SM data objects missing,
 '69 88' : SM data objects incorrect.

When the tachograph card returns status bytes without SM DOs or with an erroneous SM DO, the session must be aborted by the VU.

5.3. Algorithm to compute cryptographic checksums

Cryptographic checksums are built using a retail MACs in accordance with ANSI X9.19 with DES:

- initial stage: the initial check block y_0 is $E(K_a, SSC)$.
- sequential stage: the check blocks y_1, \dots, y_n are calculated using K_a .
- final stage: the cryptographic checksum is calculated from the last check block y_n as follows: $E(K_a, D(K_b, y_n))$.

where $E()$ means encryption with DES, and $D()$ means decryption with DES.

The four most significant bytes of the cryptographic checksum are transferred

The send sequence counter (SSC) shall be initiated during key agreement procedure to:

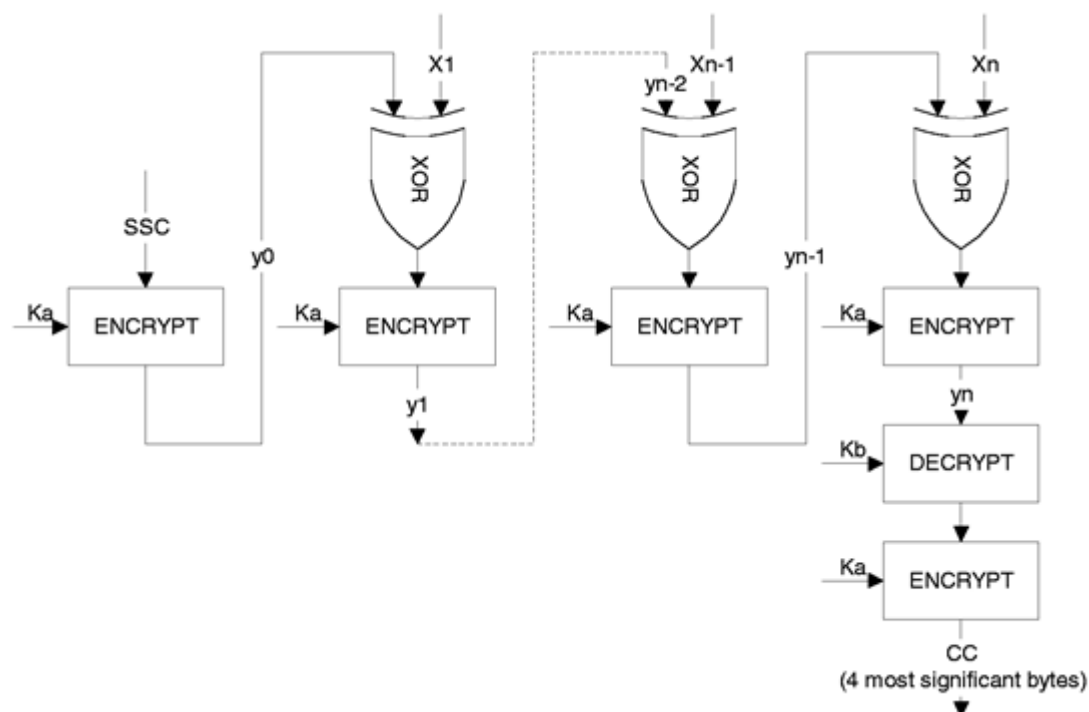
Initial SSC: $Rnd3$ (4 least significant bytes) || $Rnd1$ (4 least significant bytes).

The send sequence counter shall be increased by 1 each time before a MAC is calculated (i.e. the SSC for the first command is Initial SSC + 1, the SSC for the first response is Initial SSC + 2).

Status: Point in time view as at 22/02/2016.

Changes to legislation: There are currently no known outstanding effects for the Council Regulation (EEC) No 3821/85, ANNEX I B. (See end of Document for details)

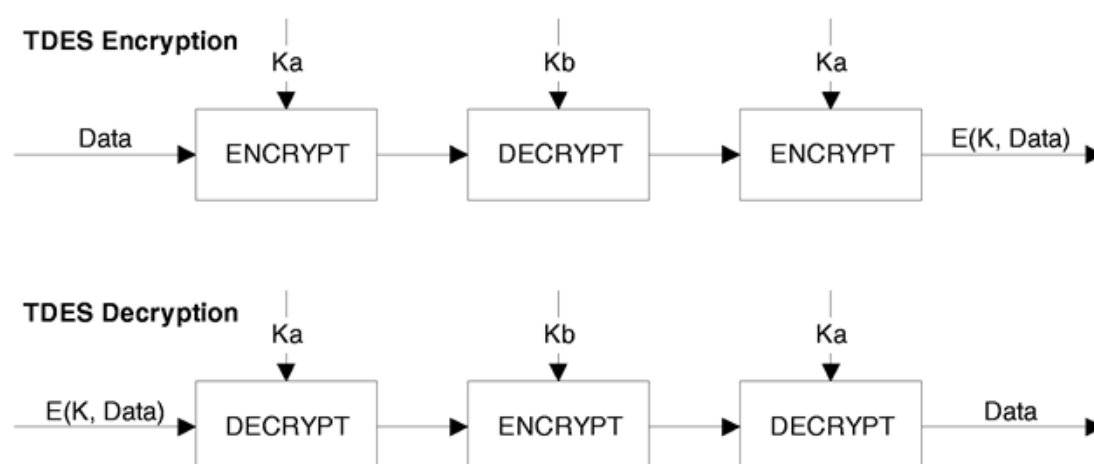
The following figure shows the calculation of the retail MAC:



5.4. Algorithm to compute cryptograms for confidentiality DOs

Cryptograms are computed using TDEA in TCBC mode of operation in accordance with references (TDES) and (TDES-OP) and with the Null vector as Initial Value block.

The following figure shows the application of keys in TDES:



6. DATA DOWNLOAD DIGITAL SIGNATURE MECHANISMS

The intelligent dedicated equipment (IDE) stores data received from an equipment (VU or card) during one download session within one physical data file. This file must contain the certificates

Status: Point in time view as at 22/02/2016.

Changes to legislation: There are currently no known outstanding effects for the Council Regulation (EEC) No 3821/85, ANNEX I B. (See end of Document for details)

MS_i.C and EQT.C. The file contains digital signatures of data blocks as specified in Appendix 7 Data Downloading Protocols.

Digital signatures of downloaded data shall use a digital signature scheme with appendix such, that downloaded data may be read without any decipherment if desired.

6.1. Signature generation

Data signature generation by the equipment shall follow the signature scheme with appendix defined in reference (PKCS1) with the SHA-1 hash function:

$$\text{Signature} = \text{EQT.SK}[\text{'00'} \parallel \text{'01'} \parallel \text{PS} \parallel \text{'00'} \parallel \text{DER}(\text{SHA-1}(\text{Data}))]$$

PS = Padding string of octets with value 'FF' such that length is 128.

DER(SHA-1(*M*)) is the encoding of the algorithm ID for the hash function and the hash value into an ASN.1 value of type *DigestInfo* (distinguished encoding rules):

$$\text{'30'} \parallel \text{'21'} \parallel \text{'30'} \parallel \text{'09'} \parallel \text{'06'} \parallel \text{'05'} \parallel \text{'2B'} \parallel \text{'0E'} \parallel \text{'03'} \parallel \text{'02'} \parallel \text{'1A'} \parallel \text{'05'} \parallel \text{'00'} \parallel \text{'04'} \parallel \text{'14'} \parallel \text{Hash Value.}$$

6.2. Signature verification

Data signature verification on downloaded data shall follow the signature scheme with appendix defined in reference (PKCS1) with the SHA-1 hash function.

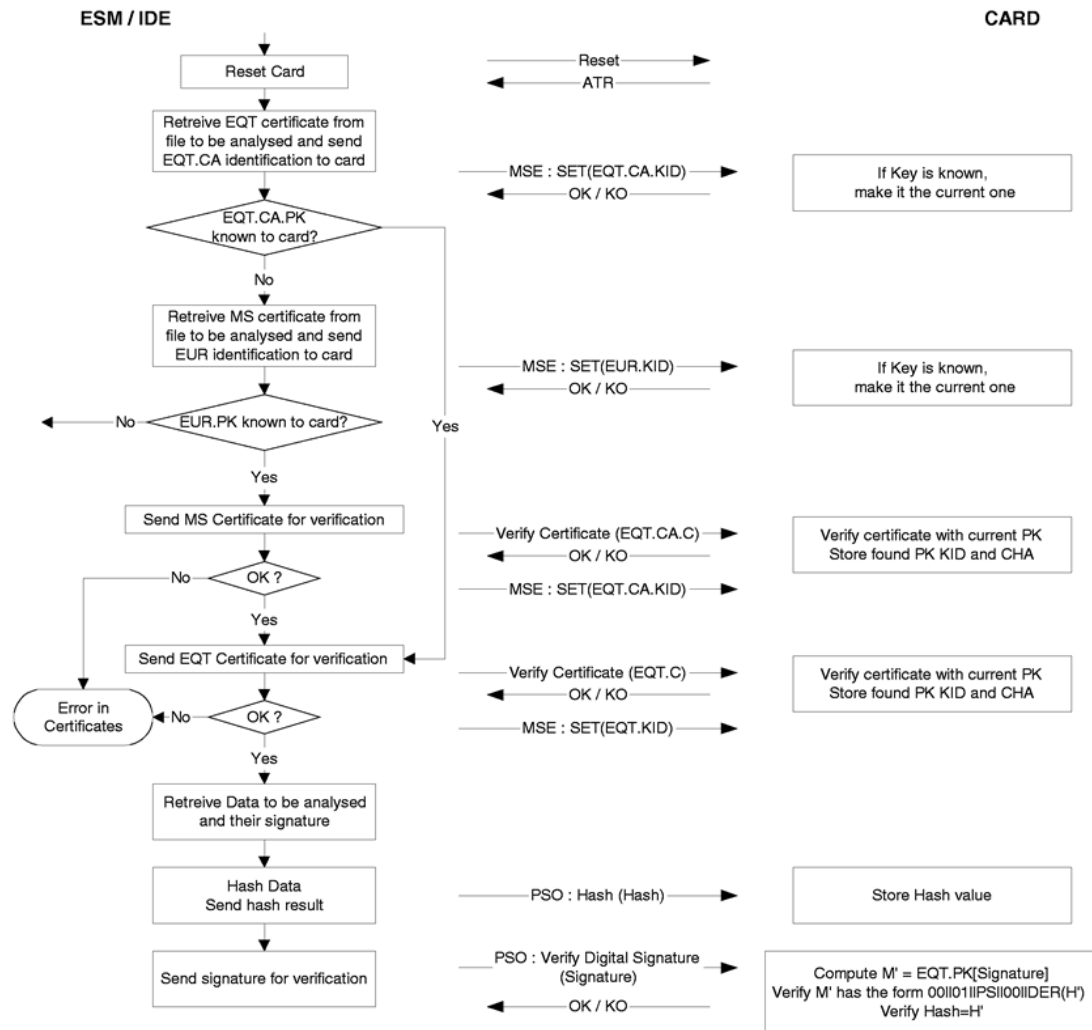
The European public key EUR.PK needs to be known independently (and trusted) by the verifier.

The following table illustrates the protocol an IDE carrying a Control card can follow to verify the integrity of data downloaded and stored on the ESM (external storage media). The control card is used to perform the decipherment of digital signatures. This function may in this case not be implemented in the IDE.

The equipment that has downloaded and signed the data to be analysed is denoted EQT.

Status: Point in time view as at 22/02/2016.

Changes to legislation: There are currently no known outstanding effects for the Council Regulation (EEC) No 3821/85, ANNEX I B. (See end of Document for details)



Status: Point in time view as at 22/02/2016.

Changes to legislation: There are currently no known outstanding effects for the Council Regulation (EEC) No 3821/85, ANNEX I B. (See end of Document for details)

[^{F4}Appendix 12

ADAPTOR FOR M 1 AND N1 CATEGORY VEHICLES

1. ABBREVIATIONS AND REFERENCE DOCUMENTS

1.1. Abbreviations

TBD To Be Defined

VU Vehicle Unit

1.2. Reference standards

ISO 16844-3 Road vehicles – Tachograph systems – Part 3: Motion sensor interface

2. GENERAL CHARACTERISTICS AND FUNCTIONS OF THE ADAPTOR

2.1. Adaptor general description

ADA_001 The adaptor shall provide a connected VU with secured motion data permanently representative of vehicle speed and distance travelled.

The adaptor is only intended for those vehicles that are required to be equipped with recording equipment in compliance with this Regulation.

It shall be installed and used only in those types of vehicle defined under (rr), where it is not mechanically possible to install any other type of existing motion sensor which is otherwise compliant with the provisions of this Annex and its Appendixes 1 to 11.

The adaptor shall not be mechanically interfaced to a moving part of the vehicle, as required by Appendix 10 of this Annex (section 3.1), but connected to the speed/distance impulses which are generated by integrated sensors or alternative interfaces.

ADA_002 A type approved motion sensor (according to the provisions of this Annex, section VIII - Type approval of recording equipment and tachograph cards) shall be fitted into the adaptor housing, which shall also include a pulse converter device inducing the incoming pulses to the embedded motion sensor. The embedded motion sensor itself shall be connected to the VU, so that the interface between the VU and the adaptor shall be compliant with the requirements set out in ISO 16844-3.

2.2. Functions

ADA_003 The adaptor shall include the following functions:

- interfacing and adapting the incoming speed pulses,
- inducing the incoming pulses to the embedded motion sensor,
- all functions of the embedded motion sensor, providing secured motion data to the VU.

2.3. Security

ADA_004 The adaptor shall not be security certified according to the motion sensor generic security target defined in Appendix 10 of this Annex. Security related requirements specified in section 4.4 of this Appendix shall apply instead.

Status: Point in time view as at 22/02/2016.

Changes to legislation: There are currently no known outstanding effects for the Council Regulation (EEC) No 3821/85, ANNEX I B. (See end of Document for details)

3. REQUIREMENTS FOR THE RECORDING EQUIPMENT WHEN AN ADAPTOR IS INSTALLED

The requirements in this and the following Chapters indicate how the requirements of this Annex shall be understood when an adaptor is used. The related requirement numbers are provided between brackets.

- ADA_005 The recording equipment of any vehicle fitted with an adaptor must comply with all the provisions of this Annex, except otherwise specified in this Appendix.
- ADA_006 When an adaptor is installed, the recording equipment includes cables, the adaptor (instead of a motion sensor), and a VU (001).
- ADA_007 The detection of events and/or faults function of the recording equipment is modified as follows:
- the ‘power supply interruption’ event shall be triggered by the VU, while not in calibration mode, in case of any interruption exceeding 200 milliseconds of the power supply of the embedded motion sensor (066),
 - any power supply interruption of more than 200 ms (milliseconds) of the adaptor shall generate a power supply interruption of the embedded motion sensor of equivalent length. The adaptor interrupter threshold shall be defined by the adaptor manufacturer,
 - the ‘motion data error’ event shall be triggered by the VU in case of interruption of the normal data flow between the embedded motion sensor and the VU and/or in case of data integrity or data authentication error during data exchange between the embedded motion sensor and the VU (067),
 - the ‘security breach attempt’ event shall be triggered by the VU for any other event affecting the security of the embedded motion sensor, while not in calibration mode (068),
 - the ‘recording equipment’ fault shall be triggered by the VU, while not in calibration mode, for any fault of the embedded motion sensor (070).
- ADA_008 The adaptor faults detectable by the recording equipment shall be those related with the embedded motion sensor (071).
- ADA_009 The VU calibration function shall allow to automatically pair the embedded motion sensor with the VU (154, 155).
- ADA_010 The terms ‘motion sensor’ or ‘sensor’ in the VU Security Target in Appendix 10 of this Annex refer to the embedded motion sensor.

4. CONSTRUCTION AND FUNCTIONAL REQUIREMENTS FOR THE ADAPTOR

4.1. Interfacing and adapting incoming speed pulses

- ADA_011 The adaptor input interface shall accept frequency pulses representative of the vehicle speed and distance travelled. Electrical characteristics of the incoming pulses are: *TBD by the manufacturer*. Adjustments accessible to only the adaptor manufacturer and to the approved workshop performing the adaptor installation shall allow the correct interfacing of the adaptor input to the vehicle, if applicable.
- ADA_012 The adaptor input interface shall be able, if applicable, to multiply or divide the frequency pulses of the incoming speed pulses by a fixed

Status: Point in time view as at 22/02/2016.

Changes to legislation: There are currently no known outstanding effects for the Council Regulation (EEC) No 3821/85, ANNEX I B. (See end of Document for details)

factor, to adapt the signal to a value in the k factor range defined by this Annex (4 000 to 25 000 pulses/km). This fixed factor may only be programmed by the adaptor manufacturer, and the approved workshop performing the adaptor installation.

4.2. Inducing the incoming pulses to the embedded motion sensor

ADA_013 The incoming pulses, possibly adapted as specified above, shall be induced to the embedded motion sensor, so that each incoming pulse shall be detected by the motion sensor.

4.3. Embedded motion sensor

ADA_014 The embedded motion sensor shall be stimulated by the induced pulses, thus allowing it to generate motion data accurately representing the vehicle movement, as if it was mechanically interfaced to a moving part of the vehicle.

ADA_015 The identification data of the embedded motion sensor shall be used by the VU to identify the adaptor (077).

ADA_016 The installation data stored in the embedded motion sensor shall be considered to represent the adaptor installation data (099).

4.4. Security requirements

ADA_017 The adaptor housing shall be designed so that it cannot be opened. It shall be sealed, so that physical tampering attempts can be easily detected (e.g. through visual inspection, see ADA_035).

ADA_018 It shall not be possible to remove the embedded motion sensor from the adaptor without breaking the seal(s) of the adaptor housing, or breaking the seal between the sensor and the adaptor housing (see ADA_035).

ADA_019 The adaptor shall ensure that motion data may only be processed and derived from the adaptor input.

4.5. Performance characteristics

ADA_020 The adaptor shall be fully operational in the temperature range (*TBD by the manufacturer, depending on the installation position*) (159).

ADA_021 The adaptor shall be fully operational in the humidity range 10 % to 90 % (160).

ADA_022 The adaptor shall be protected against over-voltage, inversion of its power supply polarity, and short circuits (161).

ADA_023 The adaptor shall conform to Commission Directive 2006/28/EC⁽¹⁶⁾ adapting to technical progress Council Directive 72/245/EEC, related to electromagnetic compatibility, and shall be protected against electrostatic discharges and transients (162).

4.6. Materials

ADA_024 The adaptor shall meet the protection grade (TBD by the manufacturers, depending upon the installation position) (164, 165).

ADA_025 The colour of the adaptor housing shall be yellow.

4.7. Markings

ADA_026 A descriptive plaque shall be affixed to the adaptor and shall show the following details (169):

— name and address of the manufacturer of the adaptor,

Status: Point in time view as at 22/02/2016.

Changes to legislation: There are currently no known outstanding effects for the Council Regulation (EEC) No 3821/85, ANNEX I B. (See end of Document for details)

- manufacturer's part number and year of manufacture of the adaptor,
 - approval mark of the adaptor type or of the recording equipment type including the adaptor,
 - the date on which the adaptor has been installed,
 - the vehicle identification number of the vehicle on which it has been installed.
- ADA_027 The descriptive plaque shall also show the following details (if not directly readable from the outside on the embedded motion sensor):
- name of the manufacturer of the embedded motion sensor,
 - manufacturer's part number and year of manufacture of the embedded motion sensor,
 - approval mark for the embedded motion sensor.
5. INSTALLATION OF THE RECORDING EQUIPMENT WHEN AN ADAPTOR IS USED
- 5.1. Installation
- ADA_028 Adaptors to be installed in vehicles shall be delivered only to vehicle manufacturers, or to workshops approved by the competent authorities of the Member States and authorised to install, activate and calibrate digital tachographs.
- ADA_029 Such approved workshop installing the adaptor shall adjust the input interface and select the division ratio of the input signal (if applicable).
- ADA_030 Such approved workshop installing the adaptor shall seal the adaptor housing.
- ADA_031 The adaptor shall be fitted as close as possible to that part of the vehicle which provides its incoming pulses.
- ADA_032 The cables for providing the adaptor power supply shall be red (positive supply) and black (ground).
- 5.2. Sealing
- ADA_033 The following sealing requirements shall apply:
- the adaptor housing shall be sealed (see ADA_017),
 - the housing of the embedded sensor shall be sealed to the adaptor housing, unless it is not possible to remove the embedded sensor without breaking the seal(s) of the adaptor housing (see ADA_018),
 - the adaptor housing shall be sealed to the vehicle,
 - the connection between the adaptor and the equipment which provides its incoming pulses shall be sealed on both ends (to the extent of what is reasonably possible).
6. CHECKS, INSPECTIONS AND REPAIRS
- 6.1. Periodic inspections
- ADA_034 When an adaptor is used, each periodic inspection (periodic inspection means in compliance with Requirement 256 through to Requirement 258 of Chapter VI of Annex 1B) of the recording equipment shall include the following checks (257):

Status: Point in time view as at 22/02/2016.

Changes to legislation: There are currently no known outstanding effects for the Council Regulation (EEC) No 3821/85, ANNEX I B. (See end of Document for details)

- that the adaptor carries the appropriate type approval markings,
- that the seals on the adaptor and its connections are intact,
- that the adaptor is installed as indicated on the installation plaque,
- that the adaptor is installed as specified by the adapter and/or vehicle manufacturer,
- that mounting an adaptor is authorised for the inspected vehicle.

7. TYPE APPROVAL OF RECORDING EQUIPMENT WHEN AN ADAPTOR IS USED

7.1. General points

- ADA_035 Recording equipment shall be submitted for type approval complete, with the adaptor (269).
- ADA_036 Any adaptor may be submitted for its own type approval, or for type approval as a component of a recording equipment.
- ADA_037 Such type approval shall include functional tests involving the adaptor. Positive results to each of these tests are stated by an appropriate certificate (270).

7.2. Functional certificate

- ADA_038 A functional certificate of an adaptor or of recording equipment including an adaptor shall be delivered to the adaptor manufacturer only after all the following minimum functional tests have been successfully passed.

| No | Test | Description | Related requirements |
|------|---|---|---------------------------------|
| 1. | Administrative examination | | |
| 1.1. | Documentation | Correctness of documentation of the adaptor | |
| 2. | Visual inspection | | |
| 2.1. | Compliance of the adaptor with documentation | | |
| 2.2. | Identification/markings of the adaptor | | ADA_026, ADA_027 |
| 2.3. | Materials of the adaptor | | 163 to 167 ADA_025 |
| 2.4. | Sealing | | ADA_017, ADA_018, ADA_035 |
| 3. | Functional tests | | |
| 3.1. | Inducing the speed pulses to the embedded motion sensor | | ADA_013 |

Status: Point in time view as at 22/02/2016.

Changes to legislation: There are currently no known outstanding effects for the Council Regulation (EEC) No 3821/85, ANNEX I B. (See end of Document for details)

| | | | |
|----------------------|---|---|---|
| 3.2. | Interfacing and adapting incoming speed pulses | | ADA_011, ADA_012 |
| 3.3. | Motion measurement accuracy | | 022 to 026 |
| [^{F6} 3.3. | Check that the adaptor is immune to magnetic fields. Alternatively, verify that the adaptor reacts to magnetic fields disturbing vehicle motion detection so that a connected VU can detect, record and store sensor faults | | 161a] |
| 4. | Environmental tests | | |
| 4.1. | Manufacturer test results | Results of manufacturer environment tests | ADA_020, ADA_021, ADA_022, ADA_023, ADA_024 |
| 5. | EMC | | |
| 5.1. | Radiated emissions and susceptibility | Verify compliance with Directive 2006/28/EC | ADA_023 |
| 5.2. | Manufacturer test results | Results of manufacturer environment tests | ADA_023]]]] |

Status: Point in time view as at 22/02/2016.

Changes to legislation: There are currently no known outstanding effects for the Council Regulation (EEC) No 3821/85, ANNEX I B. (See end of Document for details)

- (1) ^{F1}^{F2}This way of computing the continuous driving time and the cumulative break time serves into the recording equipment for computing the continuous driving time warning. It does not prejudice the legal interpretation to be made of these times.
^{F6}Alternative ways of computing the continuous driving time and the cumulative break time may be used to replace these definitions if they have been made obsolete by updates in other relevant legislation.]]]
- (2) ^{F1}^{F2}UNKNOWN periods correspond to periods where the driver's card was not inserted in a recording equipment and for which no manual entry of driver activities was made.]]
- (3) ^{F1}^{F2}Directive 97/27/EC of 22 July 1997 relating to the masses and dimensions of certain categories of motor vehicles and their trailers and amending Directive 70/156/EEC (OJ L 233, 25.8.1997, p. 1).]]
- (4) ^{F1}^{F2}OJ L 57, 2.3.1992, p. 27.]]
- (5) ^{F1}^{F2}Council Recommendation 95/144/EC of 7 April 1995 on common information technology security evaluation criteria (OJ L 93, 26.4.1995, p. 27).]]
- (6) ^{F1}^{F2}OJ L 129, 14.5.1992, p. 95.]]
- (7) ^{F1}^{F2}Directive 76/114/EEC, of 18 December 1975 on the approximation of the laws of the Member States relating to statutory plates and inscriptions for motor vehicles and their trailers, and their location and method of attachment (OJ L 24, 30.1.1976, p. 1).]]
- (8) ^{F1}^{F2}OJ L 281, 23.11.1995, p. 31.]]
- (9) ^{F1}^{F2}OJ L 266, 8.11.1995, p. 1.]]
- (10) ^{F1}^{F2}OJ L 152, 6.7.1972, p. 15.]]
- (11) ^{F1}^{F2}OJ L 266, 8.11.1995, p. 1.]]
- (12) ^{F1}^{F2}OJ L 281, 23.11.1995, p. 31.]]
- (13) ^{F1}^{F2}^{F3}OJ L 102, 11.4.2006, p. 1.]]]
- (14) ^{F1}^{F2}^{F3}OJ L 21, 24.1.2009, p. 3.]]]
- (15) ^{F1}^{F2}^{F3}The card inserted will trigger the appropriate access rights to the downloading function and to the data. It shall, however, be possible to download data from a driver card inserted into one of the VU slots when no other card is inserted in the other slot.]]]
- (16) ^{F1}^{F2}^{F4}OJ L 65, 7.3.2006, p. 27.]]]

Textual Amendments

- F1** Inserted by Council Regulation (EC) No 2135/98 of 24 September 1998 amending Regulation (EEC) No 3821/85 on recording equipment in road transport and Directive 88/599/EEC concerning the application of Regulations (EEC) No 3820/85 and (EEC) No 3821/85.
- F2** Substituted by Commission Regulation (EC) No 1360/2002 of 13 June 2002 adapting for the seventh time to technical progress Council Regulation (EEC) No 3821/85 on recording equipment in road transport (Text with EEA relevance).
- F3** Substituted by Commission Regulation (EU) No 1266/2009 of 16 December 2009 adapting for the tenth time to technical progress Council Regulation (EEC) No 3821/85 on recording equipment in road transport (Text with EEA relevance).
- F4** Inserted by Commission Regulation (EC) No 68/2009 of 23 January 2009 adapting for the ninth time to technical progress Council Regulation (EEC) No 3821/85 on recording equipment in road transport (Text with EEA relevance).
- F6** Inserted by Commission Regulation (EU) No 1266/2009 of 16 December 2009 adapting for the tenth time to technical progress Council Regulation (EEC) No 3821/85 on recording equipment in road transport (Text with EEA relevance).

Status:

Point in time view as at 22/02/2016.

Changes to legislation:

There are currently no known outstanding effects for the Council Regulation (EEC) No 3821/85, ANNEX I B.