

Directive 2009/76/EC of the European Parliament and of the Council of 13 July 2009 relating to the driver-perceived noise level of wheeled agricultural or forestry tractors (Codified version) (Text with EEA relevance) (repealed)

---

*Status: EU Directives are being published on this site to aid cross referencing from UK legislation. After IP completion day (31 December 2020 11pm) no further amendments will be applied to this version.*

---

## ANNEX III

### DETERMINATION OF SEAT REFERENCE POINT

#### 1. DEFINITION

- 1.1. The seat reference point (S) shall be the point in the central longitudinal plane of the seat where the tangential plane of the lower backrest and a horizontal plane intersect. This horizontal plane cuts the lower surface of the seat-pan board 150 mm in front of the seat reference point.

#### 2. DETERMINATION OF SEAT REFERENCE POINT

- 2.1. The reference point shall be obtained using the device illustrated in figures 1 and 2 of the Appendix to this Annex, which makes it possible to simulate loading by a human occupant.
- 2.2. The seat must be set at the mid-point of the range allowed for vertical adjustment, this adjustment being independent of the horizontal adjustment. For the purposes of determining the microphone location referred to in point 3 of Annexes I and II, the seat must be at or as near as possible to the mid-point of the horizontal adjustment range.

#### 3. DESCRIPTION OF THE DEVICE

- 3.1. The device referred to in point 2.1 shall consist of a seat-pan board and two backrest boards.
- 3.2. The lower backrest board shall be jointed in the region of the ischium humps (A) and loin (B), the joint (B) being adjustable in height (see figure 2).

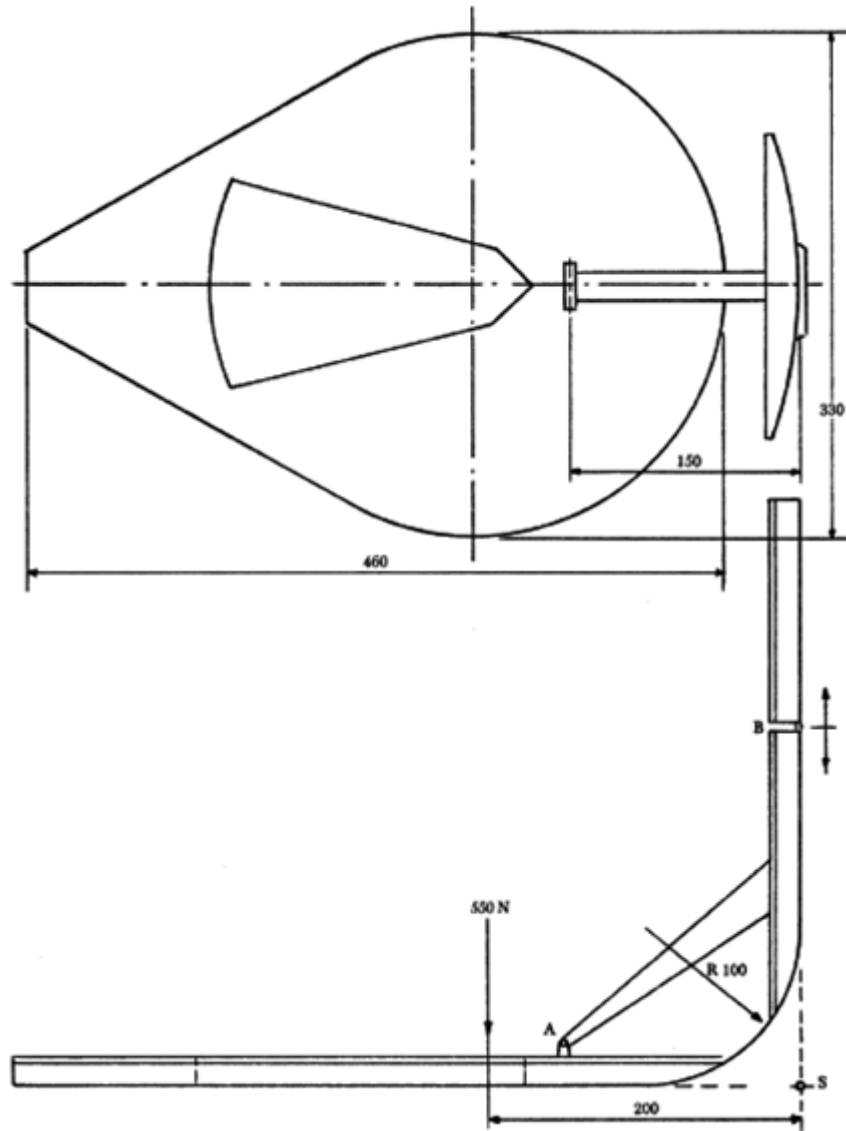
#### 4. SETTING UP THE DEVICE

The device shall be set up as follows:

- 4.1. the device shall be positioned on the seat;
- 4.2. it shall then be loaded with a force of 550 N at a point 50 mm in front of joint (A), and the two backrest boards shall be lightly pressed tangentially against the backrest;
- 4.3. if it is not possible to determine a definite tangent to the lower area of the backrest, the lower backrest board in vertical position must be lightly pressed against the backrest;
- 4.4. in the case of seats with a suspension adjustable to the driver's weight, the suspension shall be set so that the seat is at a point equidistant from its two extreme positions.

**Status:** EU Directives are being published on this site to aid cross referencing from UK legislation. After IP completion day (31 December 2020 11pm) no further amendments will be applied to this version.

Appendix



*Status: EU Directives are being published on this site to aid cross referencing from UK legislation. After IP completion day (31 December 2020 11pm) no further amendments will be applied to this version.*

