

This document is meant purely as a documentation tool and the institutions do not assume any liability for its contents

► **B** **DIRECTIVE 94/20/EC OF THE EUROPEAN PARLIAMENT AND OF THE COUNCIL**
of 30 May 1994

relating to the mechanical coupling devices of motor vehicles and their trailers and their attachment to those vehicles

(OJ L 195, 29.7.1994, p. 1)

Amended by:

		Official Journal		
		No	page	date
► <u>M1</u>	Council Directive 2006/96/EC of 20 November 2006	L 363	81	20.12.2006

Amended by:

► <u>A1</u>	Act concerning the conditions of accession of the Czech Republic, the Republic of Estonia, the Republic of Cyprus, the Republic of Latvia, the Republic of Lithuania, the Republic of Hungary, the Republic of Malta, the Republic of Poland, the Republic of Slovenia and the Slovak Republic and the adjustments to the Treaties on which the European Union is founded	L 236	33	23.9.2003
--------------------	---	-------	----	-----------



**DIRECTIVE 94/20/EC OF THE EUROPEAN PARLIAMENT
AND OF THE COUNCIL**

of 30 May 1994

**relating to the mechanical coupling devices of motor vehicles and
their trailers and their attachment to those vehicles**

THE EUROPEAN PARLIAMENT AND THE COUNCIL OF THE
EUROPEAN UNION,

Having regard to the Treaty establishing the European Community, and
in particular Article 100a thereof,

Having regard to the proposal from the Commission, ⁽¹⁾

Having regard of the opinion of the Economic and Social Committee
⁽²⁾,

Acting in accordance with the procedure laid down in Article 189b of
the Treaty ⁽³⁾,

Whereas the internal market comprises an area without internal frontiers
in which the free movement of goods, persons, services and capital is
ensured; whereas it is important to adopt measures to that end;

Whereas the technical requirements which motor vehicles and their
trailers must satisfy pursuant to national laws relate, *inter alia*, to the
mechanical couplings of such vehicles;

Whereas these requirements differ from one Member State to another;
whereas it is therefore necessary that all Member States adopt the same
requirements either in addition to, or in place of, their existing rules in
order to allow, in particular, the EEC type-approval procedure which
was the subject of Council Directive 70/156/EC of 6 February 1970 on
the approximation of the laws of Member States relating to the type-
approval of motor vehicles and their trailers ⁽⁴⁾, to be implemented;

Whereas this Directive will be one of the separate directives of the EEC
type-approval procedure which has been established by Directive
70/156/EEC; whereas, consequently, the provisions laid down in
Directive 70/156/EEC relating to vehicle systems, components and
separate technical units shall apply to this Directive;

Whereas, with the view of improving road safety and facilitating the
interchangeability of motor vehicles and trailers in international traffic,
it is considered important that all kinds of vehicles forming a road train
or being an articulated vehicle shall be equipped with standardized and
harmonized mechanical coupling systems;

Whereas it is desirable to follow the technical requirements of the ECE
(Economic Commission for Europe of the United Nations) Regulation
No 55 relating to the uniform provisions concerning mechanical
coupling components of combinations of vehicles; whereas Regulation
No 55 is annexed to the Agreement of 20 March 1958 concerning the
adoption of uniform conditions of approval and reciprocal recognition of
approval for motor vehicle equipment and parts;

⁽¹⁾ OJ No C 134, 25. 5. 1992, p. 36.

⁽²⁾ OJ No C 313, 30. 11. 1992, p. 10.

⁽³⁾ Opinion of the European Parliament of 29 October 1992 (OJ No C 305, 23.
11. 1992, p. 115). Council common position of 27 September 1993 (not yet
published in the Official Journal). Decision of the European Parliament of 9
March 1994 (not yet published in the Official Journal).

⁽⁴⁾ OJ No L 42, 23. 2. 1970, p. 1. Directive as last amended by Directive 92/53/
EEC (OJ No L 225, 10. 8. 1992, p. 1).

▼B

Whereas mainly international standards (ISO) have been taken into consideration for uniform dimensions of mechanical coupling systems to ensure interchangeability of the individual vehicles forming road trains or articulated vehicles and to guarantee free movement of goods the Member States,

HAVE ADOPTED THIS DIRECTIVE:

Article 1

For the purpose of this Directive:

- ‘vehicle’ means any motor vehicle as defined in Article 2 of Directive 70/156/EEC, intended for use on the road, being complete or incomplete, having at least four wheels and a maximum design speed exceeding 25 km/h, and its trailers, with the exception of vehicles which run on rails and of agricultural and forestry tractors and all mobile machinery,
- ‘mechanical coupling type’ means a mechanical coupling device for which type-approval of a component within the meaning of Article 2 of Directive 70/156/EEC may be granted.

Article 2

Member States may not refuse:

- EEC type-approval or national type-approval for a vehicle, or refuse or prohibit the sale, registration, entry into service or use of a vehicle on grounds relating to its optional equipment with mechanical coupling devices,
- EEC component type-approval or national component type-approval for a mechanical coupling, or prohibit the sale or use of a mechanical coupling device,

if the requirements of the Annexes are satisfied.

Article 3

Member States shall adopt and publish the laws, regulations and administrative provisions necessary to comply with this Directive within 18 months of the date of its adoption. They shall forthwith inform the Commission thereof.

When Member States adopt these measures, they shall contain a reference to this Directive or shall be accompanied by such reference on the occasion of their official publication. The method of making such a reference shall be laid down by the Member States.

They shall apply these provisions 18 months following the date of adoption of this Directive.

Article 4

This Directive is addressed to the Member States.

▼B**LIST OF ANNEXES**

ANNEX I:	Scope, definition, application and granting of EEC type-approval, extension of approval, conformity of production
ANNEX II:	Example of an EEC approval marking
ANNEX III:	Information document for type-approved mechanical coupling devices
ANNEX IV:	EEC type-approval certificate for mechanical coupling devices
ANNEX V:	Requirements for mechanical coupling devices
ANNEX VI:	Testing of mechanical coupling devices
ANNEX VII:	Requirements for the attachment of mechanical coupling devices to vehicles
ANNEX VIII:	Information document for type-approved vehicles
ANNEX IX:	EEC type-approval certificate for vehicles



ANNEX I

1. Scope
 - 1.1. This Directive applies to the mechanical coupling devices for motor vehicles and their trailers and the attachment of these devices to the road vehicles, as described in Article 1 of this Directive.
 - 1.2. This Directive states the requirements which mechanical coupling devices intended for use between combinations of vehicles must satisfy in order to:
 - ensure compatibility when combining motor vehicles with different types of trailer,
 - ensure the safe coupling together of the vehicles under all conditions of use,
 - ensure safe procedures for coupling and uncoupling.
 - 1.3. The coupling devices are classified according to type, and distinguishing between:
 - standard coupling devices (see Section 2.1.11),
 - non-standard coupling devices (see Section 2.1.12).

The classification is as follows:

 - 1.3.1. Class A: Coupling balls and towing brackets (see Annex V, Section 1)
 - 1.3.1.1. Class A 50-1 to A 50-3: Standard coupling balls 50 and flange type towing brackets
 - 1.3.1.2. Class A 50-X: Non-standard coupling balls 50 and towing brackets
 - 1.3.2. Class B: Coupling heads (see Annex V, Section 2)
 - 1.3.2.1. Class B 50-X: Non-Standard coupling heads 50
 - 1.3.3. Class C: Automatic drawbar couplings
 - 1.3.3.1. Class C 50: Drawbar couplings 50
 - Class C 50-1 to C 50-6: Standard drawbar couplings 50 (see Annex V, Section 3, Tables 3 and 4)
 - 1.3.3.2. Class C 50-X: Non-standard drawbar couplings 50
 - 1.3.4. Class D: Drawbar eyes
 - 1.3.4.1. Class D 50: Drawbar eyes 50
 - Class D 50-A: Standard drawbar eyes D 50 for welding attachment (see Annex V, Figure 9, Table 5)
 - Class D 50-B: Standard drawbar eyes 50 for screwing attachment (see Annex V, Figure 10, Table 5)
 - Class D 50-C: Standard drawbar eyes D 50-C 1 for bolting attachment (see Annex V, Figures 11 and 12, Table 5)
 - 1.3.4.2. Class D 50-X: Non-Standard drawbar eyes 50 (see Annex V, Figure 9)
 - 1.3.5. Class E: Non-standard drawbars
 - 1.3.6. Class F: Non-standard drawbeams
 - 1.3.7. Class G: Fifth wheel couplings

▼B

- | | | |
|----------|---------------|---|
| 1.3.7.1. | Class G 50: | Standard fifth wheel couplings 50 (see Annex V, Figure 15, Table 7) |
| 1.3.7.2. | Class G 50-X: | Non-standard fifth wheel couplings 50 |
| 1.3.8. | Class H: | Fifth wheel coupling pins |
| 1.3.8.1. | Class H 50-X: | Non-standard fifth wheel coupling pins 50 |
| 1.3.9. | Class J: | Non-standard mounting plates |
| 1.3.10. | Class S: | Non-standard miscellaneous coupling devices. |

2. DEFINITIONS

- 2.1. Mechanical coupling devices between motor vehicles and trailers are all parts and devices on the frames, load-bearing parts of the bodywork and chassis of the vehicles by means of which towing and towed vehicles are connected together.

It also includes fixed or detachable parts for the attachment, adjustment or operation of the abovementioned coupling devices.

- 2.1.1. The coupling balls and towing brackets in Section 1.3.1 are mechanical coupling devices employing a spherical device and brackets on the towing vehicle for connecting to the trailer by means of a coupling head.

- 2.1.2. The coupling heads in Section 1.3.2 are mechanical coupling devices on the drawbar of trailers for connecting to a coupling ball on the towing vehicle.

- 2.1.3. The drawbar couplings in Section 1.3.3 are mechanical coupling devices with a jaw and an automatic closing and locking pin on the towing vehicle for connecting to the trailer by means of a drawbar eye.

- 2.1.4. The drawbar eyes in Section 1.3.4 are mechanical coupling devices on the drawbar of trailers having a parallel hole for connecting to the automatic drawbar couplings.

- 2.1.5. The drawbars in Section 1.3.5 comprise overrun devices and similar items of equipment mounted on the front of the towed vehicle or to the vehicle chassis, which is suitable for coupling to a towing vehicle by means of drawbar eyes, coupling heads and similar coupling devices.

Drawbars can be attached to the trailer so as to move freely in the vertical plane and therefore support no vertical load, so called hinged drawbars, or be fixed in the vertical plane so as to support a vertical load, so called rigid drawbars. Drawbars fixed in the vertical plane can be either rigid or sprung.

Drawbars may also comprise more than one component, be adjustable or cranked. This Directive concerns drawbars only of the type which forms a separate unit, which is not part of the chassis of the towed vehicle.

- 2.1.6. The drawbeams in Section 1.3.6 are all parts and devices placed between the coupling devices, such as coupling balls and drawbar couplings, and the frame (e.g. rear cross member), the load-bearing bodywork or the chassis of the towing vehicle.

- 2.1.7. The fifth wheel coupling in Section 1.3.7 are plate-like coupling devices used on towing vehicles having an automatic coupling lock and connecting to the fifth wheel coupling pins in Section 1.3.8.

- 2.1.8. The fifth wheel coupling pins in Section 1.3.8. are a coupling device in the form of a pin for mounting on a semi-trailer and connecting to the towing vehicle by means of a fifth wheel coupling.

- 2.1.9. The mounting plates in Section 1.3.9 are all parts and devices used for attaching fifth wheel couplings to the frame of the towing vehicle. The mounting plate may have provision to move horizontally (i.e. sliding fifth wheel).

▼B

- 2.1.10. Steering wedges are components mounted on semi-trailers which control positive steering of the trailer in conjunction with the fifth wheel coupling.
- 2.1.11. Standard coupling devices are classified in Section 1.3. and conform to standard dimensions and standard characteristic values as given in this Directive. They are interchangeable within their class, independent of type and manufacturer.
- 2.1.12. Non-standard coupling devices are those of Classes A to J which do not fall under the classification of standard coupling devices but which can be connected to standard coupling devices of the relevant classes.
- 2.1.13. The miscellaneous coupling devices for transitional or exceptional use in Section 1.3.10 are mechanical coupling devices which do not belong to any of the Classes A to J (e.g. coupling devices according to existing national standards or for heavy transport).
- 2.1.14. Remote control devices are devices which, in the case of an inaccessible coupling device, enable the coupling device to be operated from the side of the vehicle or from the driving cab.
- 2.1.15. Remote indicators are indicating devices which indicate to the vehicle driver in his cab that coupling has been effected and the safety devices have engaged.
- 2.1.16. A type of mechanical coupling device means a device which does not differ in such essential aspects as:
- 2.1.16.1. class of coupling device;
- 2.1.16.2. factory mark or trade name;
- 2.1.16.3. external shape or principal dimensions or other fundamental differences in design;
- 2.1.16.4. characteristic values D, S, V and U.
- 2.1.17. A coupling procedure is automatic if reversing the towing vehicle against the trailer is sufficient to engage the coupling completely and properly without any external intervention, to secure it automatically and to indicate proper engagement of the safety devices. An automatic coupling procedure requires the use of automatic couplings.
- 2.1.18. The 'D-value' is defined as the theoretical reference force for the horizontal force between towing vehicle and trailer.

The D-value is taken as the basis for horizontal loads in the dynamic tests.

For mechanical coupling devices unsuitable for transmitting vertical bearing loads the value is:

$$D = g \times \frac{T \times R}{T + R} \text{ (k N)}$$

For mechanical coupling devices suitable for centre axle trailers the value is:

$$D_c = g \times \frac{T \times C}{T + C} \text{ (k N)}$$

For fifth wheel couplings on towing tractors and vehicles of comparable type the value is:

$$D = g \times \frac{0,6 \times T \times R}{T + R - U} \text{ (k N)}$$

where:

T = technically permissible maximum mass in tonnes of the towing vehicle (also towing tractors) including, if necessary, the vertical load of a centre axle trailer,

▼B

R = technically permissible maximum mass in tonnes of the full trailer with drawbar free to move in the vertical plane or of the semi-trailer,

C = sum of the axle loads of the centre axle trailer carrying maximum permissible load, in tonnes (see Section 2.1.20),

U = fifth wheel imposed vertical load in tonnes,

S = the static vertical load S in kg is the proportion of the mass of the centre axle trailer exerted under static conditions at the coupling point,

g = acceleration due to gravity (assumed as 9,81 m/s²).

2.1.19. The 'V-value' is defined as the theoretical reference force for the amplitude of the vertical force between towing vehicle and centre axle trailers having a maximum mass exceeding 3,5 tonnes (see Section 2.1.21). The V-value is taken as a basis for the vertical test loads in the dynamic tests:

$$V = a \cdot \frac{X^2}{l^2} \cdot C$$

where:

a is an equivalent vertical acceleration in the coupling point, dependent on the kind of suspension on the rear axle(s) of the towing vehicle including a constant factor:

$a_1 = 1,8 \text{ m/s}^2$ for vehicles with air suspension or equivalent (as defined in Directive 85/3/EEC)⁽¹⁾,

$a_2 = 2,4 \text{ m/s}^2$ for vehicles with other suspension,

x is the length of the loading area of the trailer, in metres (see Figure 1),

l is the theoretical drawbar length, i.e. the distance between the centre of the drawbar eye and the centre of the axle assembly, in metres (see Figure 1),

$\frac{x^2}{l^2} \geq 1,0$ (where the result is a value less than 1,0 the value used should be at least 1).

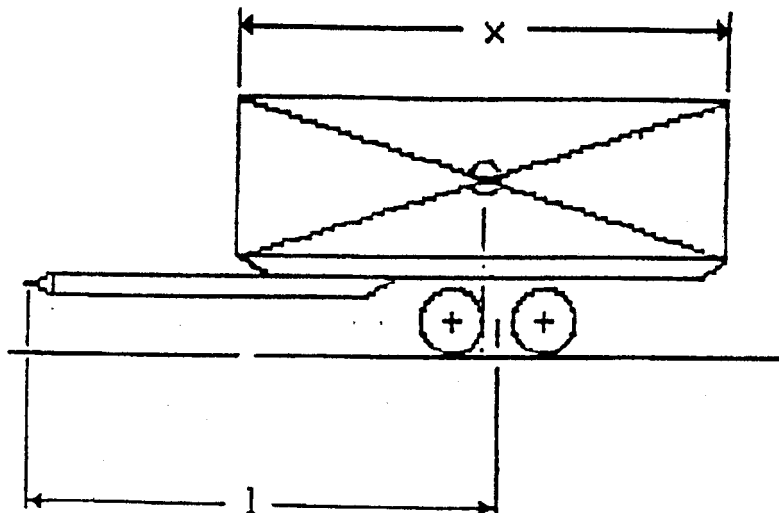


Figure 1

Dimensions of the centre-axle trailer

⁽¹⁾ OJ No L 2, 3. 1. 1985, p. 14.

▼B

- 2.1.20. 'Centre-axle trailer' means a towed vehicle equipped with a towing device which cannot move vertically (in relation to the trailer), and in which the axle(s) is (are) positioned close to the centre of gravity of the vehicle (when uniformly loaded) such that only a small vertical load, not exceeding 10 % of the maximum mass of the trailer of 1 000 kg (whichever is the lesser) is transmitted to the drawing vehicle.

The maximum mass of a centre-axle trailer to be taken into consideration shall be the mass transmitted to the ground by the axle(s) of the centre-axle trailer when coupled to the drawing vehicle and laden with a maximum load.

- 2.1.2.1. For vehicles not falling clearly in any of the above categories they shall be treated in the same way as the type they most closely resemble.
- 2.1.2.2. 'Vehicle type' means vehicles which do not differ with respect to the following main characteristics: the structure, dimensions, shape and materials of the relevant parts concerning the fixing of the coupling device of the towing vehicle, or the front part in the case of a trailer, in so far as they have a bearing on the requirements of Annex VII.

3. EEC TYPE-APPROVAL FOR A COMPONENT

3.1. Application for EEC type-approval

- 3.1.1. The application for EEC type-approval pursuant to Article 3 (4) of Directive 70/156/EEC of a type of a mechanical coupling device shall be submitted by the manufacturer.
- 3.1.2. A model for the information document is given in Annex III.
- 3.1.3. The following must be submitted to the technical service responsible for conducting the type-approval tests:
- 3.1.3.1. a mechanical coupling device, representative for this type, which should be normally unpainted. The technical service or approval authorities may also request additional coupling devices;
- 3.1.3.2. the technical service which performs type-approval testing may also request specific parts, such as mounting plates or towing brackets, additional drawings or samples of materials used;
- 3.1.3.3. in the case of a mechanical coupling device designed for a specific vehicle type, the manufacturer of the coupling device shall also submit the installation data supplied by the vehicle manufacturer in accordance with Directive 92/21/EEC ⁽¹⁾; the technical service may request that a vehicle, representative of that type, also be submitted.

3.2. Marking of specimen

- 3.2.1. Each of the specimens of the particular type of coupling device in Section 3.1.1 for which an application for EEC component type approval has been submitted must be marked as follows:
- 3.2.2. factory mark, trade name or manufacturer's name (and trade mark if appropriate);
- 3.2.3. type and, if applicable, version;
- 3.2.4. a sufficiently large space for the EEC approval mark and the additional information according to Section 3.3.4.

3.3. Granting of EEC type-approval

- 3.3.1. If the relevant requirements are satisfied, EEC type-approval pursuant to Article 4 (3) and, if applicable, Article 4 (4) of Directive 70/156/EEC shall be granted.
- 3.3.2. A model for the EEC type-approval certificate is given in Annex IV.
- 3.3.3. An approval number in accordance with Annex VII to Directive 70/156/EEC shall be assigned to each type of mechanical coupling device approved. The same Member State may not assign the same number to another type of a mechanical coupling device.

⁽¹⁾ OJ No L 129, 14. 5. 1992, p. 1.

▼B

3.3.4. There shall be affixed, conspicuously and in a readily accessible place specified on the approval form, to every mechanical coupling device conforming to a type of mechanical coupling device approved under this Directive an international approval mark consisting of:

- 1 for the Federal Republic of Germany
- 2 for France
- 3 for Italy
- 4 for The Netherlands
- 6 for Belgium

▼A1

- 7 for Hungary
- 8 for the Czech

▼B

- 9 for Spain
- 11 for the United Kingdom
- 13 for Luxembourg
- 18 for Denmark

▼M1

- 19 for Romania

▼A1

- 20 for Poland

▼B

- 21 for Portugal

▼A1

- 26 for Slovenia
- 27 for Slovakia
- 29 for Estonia
- 32 for Latvia

▼M1

- 34 for Bulgaria

▼A1

- 36 for Lithuania
- CY for Cyprus
- MT for Malta

▼B

- IRL for Ireland
- EL for Greece

3.3.4.1. A rectangle surrounding the letter 'e' followed by the distinguishing number of the country which has granted approval.

3.3.4.2. A two-digit number, indicating the number of the latest amendment of the Directive (for this Directive the number is 00), and Section 4 of the type-approval number, as given on the EEC type-approval certificate (see Annex IV), near to the rectangle of the approval mark.

▼B

- 3.3.4.3. The following supplementary marks placed anywhere close to the rectangle:
- class of coupling device,
 - permissible values for D, S, V and U where applicable.
- 3.3.5. The approval mark shall be indelible and clearly legible even when the coupling device is attached to the vehicle.
- 3.3.6. Annex II to this Directive gives examples of the arrangement of the approval mark.
- 3.4. **Modification of the type of mechanical coupling device and extension of EEC component type-approval**
- 3.4.1. In the case of modification of a type approved pursuant to this Directive, the provisions of Article 5 of Directive 70/156/EEC shall apply.
4. EEC TYPE-APPROVAL FOR A VEHICLE
- 4.1. **Application for EEC type-approval**
- 4.1.1. The application for EEC type-approval pursuant to Article 3 (4) of Directive 70/156/EEC of a vehicle type with regard to its type of a mechanical coupling device shall be submitted by the manufacturer.
- 4.1.2. A model for the information document is given in Annex VIII.
- 4.1.3. The following must be submitted to the technical service responsible for conducting the type-approval tests:
- 4.1.3.1. a vehicle representative for this type which may be equipped with an EEC type-approved coupling device;
 - 4.1.3.2. when the vehicle type is provided with a mechanical coupling device as first equipment by the vehicle manufacturer, type(s) of mechanical coupling device(s) including its (their) mounting plate(s) or towing bracket(s), if any; furthermore the EEC type-approval for the coupling device(s) shall be made available.
- 4.2. **Granting of EEC type-approval**
- 4.2.1. If the relevant requirements are satisfied, EEC type-approval pursuant to Article 4 (3) and (4) of Directive 70/156/EEC shall be granted.
- 4.2.2. A model for the EEC type-approval certificate is given in Annex IX.
- 4.2.3. An approval number in accordance with Annex VII to Directive 70/156/EEC shall be assigned to each type of vehicle approved. The same Member State shall not assign the same number to another type of vehicle.
- 4.3. **Modification of the type of vehicle and extension of EEC vehicle type-approval**
- 4.3.1. In the case of modification of a type-approval pursuant to this Directive, the provisions of Article 5 of Directive 70/156/EEC shall apply.
- 4.3.2. The holder of an EEC vehicle type-approval can apply for it to be extended to other types or classes of coupling devices.
- The competent authorities will grant such an extension on the following conditions:
- 4.3.2.1. EEC component type-approval has already been granted for the other type of coupling device;
 - 4.3.2.2. it is suitable for the type of vehicle for which the extension of the EEC vehicle type-approval has been applied for.
 - 4.3.2.3. the attachment of the coupling device to the vehicle corresponds to that proposed for the granting of EEC component type-approval.
- 4.3.3. In the case of standard coupling devices in classes A, C, D and G, EEC vehicle type-approval is also valid for other coupling devices of the same class without the need for a further mounting check and extension of EEC vehicle type-approval.

▼B

5. REQUIREMENTS

- 5.1. The mechanical coupling devices between motor vehicles and trailers must be manufactured and attached in accordance with good engineering practice, and must be safe to operate.
- 5.2. Safe coupling and uncoupling of the vehicles must be possible by a single person without the use of tools. Only automatic coupling devices which allow an automatic coupling procedure shall be employed for the coupling of trailers having a maximum mass of more than 3,5 tonnes.
- 5.3. The mechanical coupling devices shall be so designed and manufactured that in normal use, with proper maintenance and the timely replacement of wearing parts, they will continue to function satisfactorily.
- 5.4. Every coupling device must be accompanied by installation and operating instructions giving sufficient information for a competent person to install it on the vehicle and operate it properly. The instructions must be in the language or languages of the Member State in which the coupling device will be offered for sale. In the case of coupling devices supplied for assembly-line use by vehicle builders or bodybuilders, the provisions of installation and operating instructions for each coupling device can be dispensed with. It is then the responsibility of the vehicle builder or bodybuilder to ensure that the vehicle operator is provided with the information necessary for operating the coupling device.
- 5.5. The materials that may be used are those for which the properties relevant to the application are laid down in a standard or those for which the properties are given in the documentation according to Section 3.1.2 of this Annex.
- 5.6. All parts of the mechanical coupling devices whose failure could result in separation of the two vehicles must be made of steel. Other materials may be used provided equivalence has been demonstrated by the manufacturer to the satisfaction of the Technical Service.
- 5.7. All couplings must be designed for positive mechanical engagement, and the closed position must be secured at least once by positive mechanical engagement, unless further requirements are stated in Annex V.
- 5.8. The mechanical coupling devices must satisfy the requirements of Annex V.
- 5.9. **Loading requirements**
- 5.9.1. Mechanical coupling devices are subject to the tests described in Annex VI.
- 5.9.2. These tests must not cause any cracks, fractures or other visible external damage, or any excessive permanent distortion which would be detrimental to the satisfactory operation of the device.
- 5.10. The installation of the mechanical coupling devices to the vehicle must be checked according to the requirements given in Annex VII. This requirement should apply to both EEC type-approval of a vehicle, when the vehicle type is provided with a mechanical coupling device as first equipment by the vehicle manufacturer, and EEC type-approval of a mechanical coupling device designed for a specific vehicle type.
- 5.11. The abovementioned requirements and those of Annexes V, VI and VII are also applicable, as relevant, to miscellaneous coupling devices (Class S).

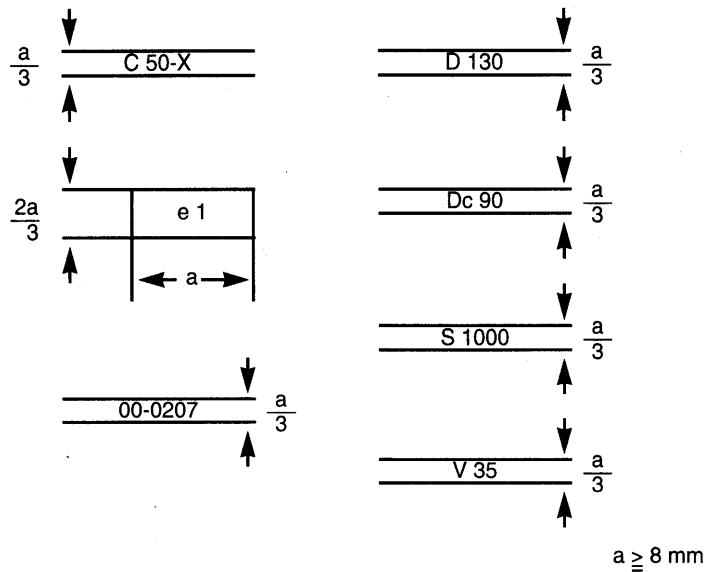
6. CONFORMITY OF PRODUCTION

- 6.1. As a general rule, measures to ensure the conformity of production shall be taken in accordance with the provisions laid down in Article 10 of Directive 70/156/EEC.
- 6.2. The normal frequency of inspections to be carried out by the competent authority shall be one per year.

▼B

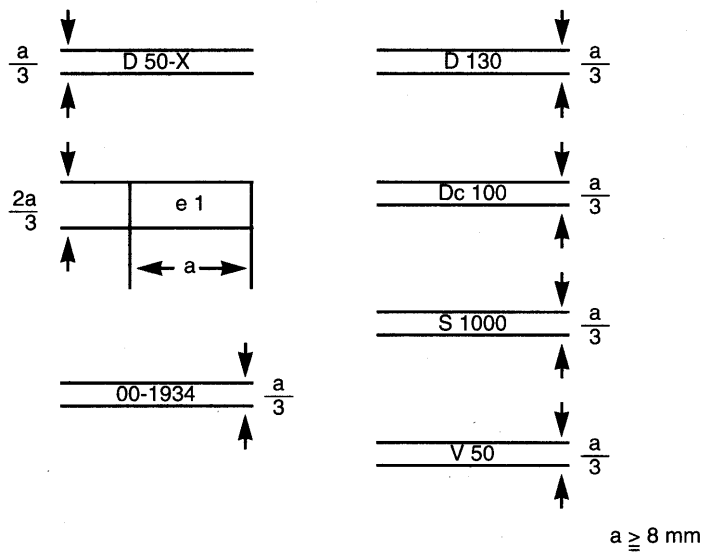
ANNEX II

(a) Specimen EEC approval marking for a drawbar coupling

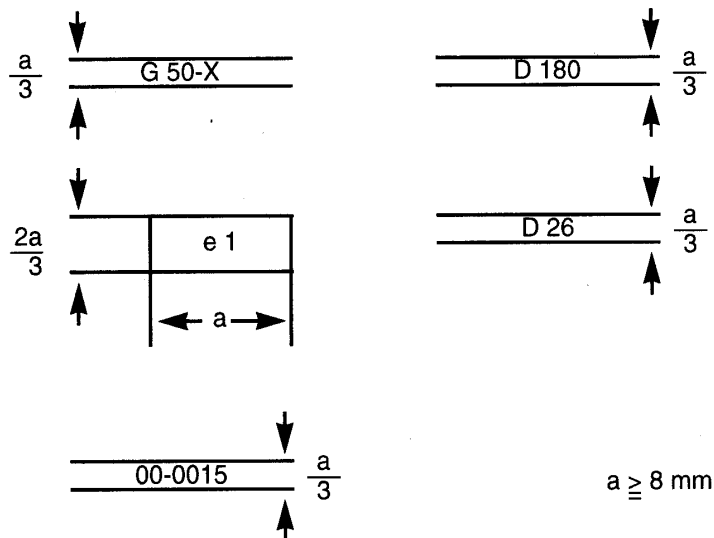


The coupling device with the EEC approval marking illustrated above is a non-standard drawbar coupling of Class C 50-X with a maximum permitted D value of 130 kN, a maximum permitted Dc value of 90 kN, a maximum permitted static vertical bearing load of 1 000 kg and a maximum permitted V-value of 35 kN, for which EEC component type-approval was granted in the Federal Republic of Germany (e 1) under the number 0207. The first two digits 00 indicate that this component was approved according to the original form of this Directive.

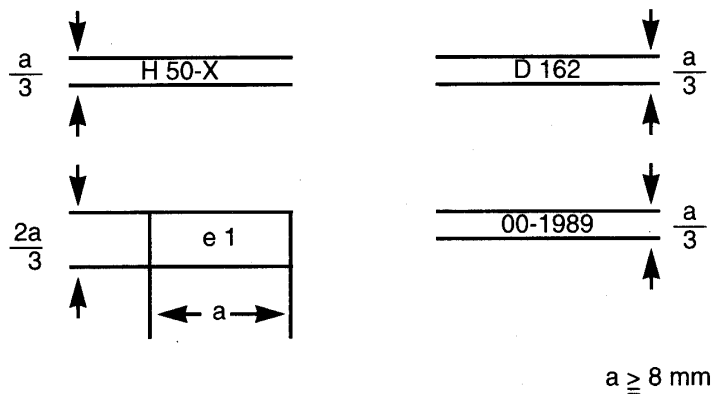
(b) Specimen EEC approval marking for a drawbar eye



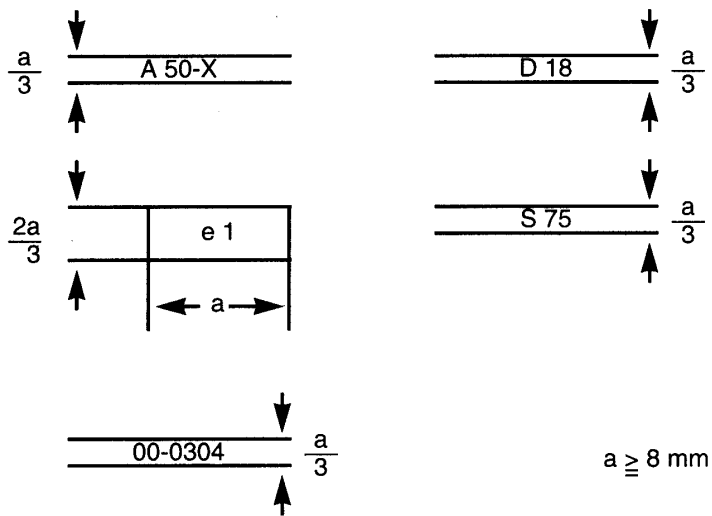
The coupling device with the EEC approval marking illustrated above is a non-standard drawbar eye 50 of Class D 50-X for welding attachment having a D value of 130 kN, a Dc value of 100 kN, a maximum permitted static vertical bearing load of 1 000 kg and a maximum permitted V-value of 50 kN, for which EEC component type-approval was granted in the Federal Republic of Germany (e 1) under the number 1934. The first two digits 00 indicate that this component was approved according to the original form of this Directive.

▼ B**(c) Specimen EEC approval mark for a fifth wheel coupling**

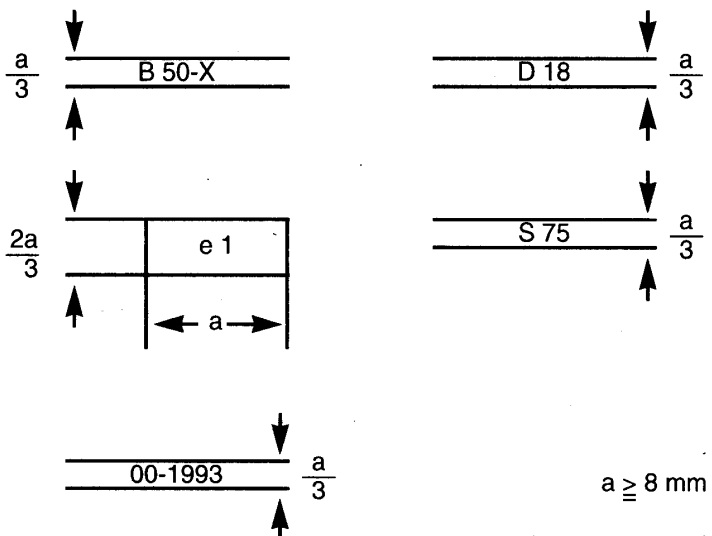
The coupling device with the EEC approval marking illustrated above is a non-standard fifth wheel coupling of Class G 50-X having a maximum permitted D value of 180 kN and a maximum permitted fifth wheel load of 26 tonnes, for which EEC component type-approval was granted in the Federal Republic of Germany (e 1) under the number 0015. The first two digits 00 indicate that this component was approved according to the original form of this Directive.

(d) Specimen EEC approval marking for a fifth wheel coupling pin

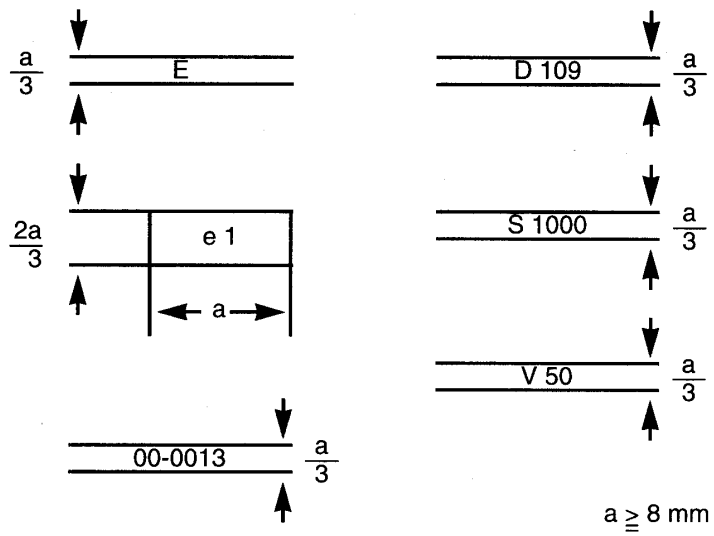
The coupling device with the EEC approval marking illustrated above is a non-standard fifth wheel coupling pin of Class H 50-X having a D value of 162 kN for which EEC component type-approval was granted in the Federal Republic of Germany (e 1) under the number 1989. The first two digits 00 indicate that this component was approved according to the original form of this Directive.

▼B**(e) Specimen EEC approval marking for a coupling ball and towing brackets**

The coupling device with the EEC approval marking illustrated above is a non-standard coupling ball and towing brackets of Class A 50-X having a maximum permitted D value of 18 kN and a maximum permitted static vertical bearing load of 75 kg, for which EEC component type-approval was granted in the Federal Republic of Germany (e 1) under the number 0304. The first two digits 00 indicate that this component was approved according to the original form to this Directive.

(f) Specimen EEC approval marking for a coupling head

The coupling device with the EEC approval marking illustrated above is a non-standard coupling head of Class B 50-X having a D value of 18 kN and a maximum permitted static vertical bearing load of 75 kg, for which EEC component type-approval was granted in the Federal Republic of Germany (e 1) under the number 1993. The first two digits 00 indicate that this component was approved according to the original form of this Directive.

▼B**(g) Specimen EEC approval marking for a drawbar**

The coupling device with the EEC approval marking illustrated above is a drawbar for a centre-axle trailer of Class E with a maximum permitted D value of 109 kN, a maximum permitted static vertical bearing load of 1 000 kg and a maximum permitted V-value of 50 kN, for which EEC component type approval was granted in the Federal Republic of Germany (e 1) under the number 0013. The first two digits 00 indicate that this component was approved according to the original form of this Directive.



ANNEX III

INFORMATION DOCUMENT No

relating to the EEC type-approval as a component of mechanical coupling devices for motor vehicles and their trailers (94/20/EC)

The following information, if applicable, must be supplied in triplicate and include a list of contents. Any drawings must be supplied in appropriate scale and in sufficient detail on size A4 or on a folder of A4 format. Photographs, if any, must show sufficient detail.

If the systems, components of separate technical units have electronic controls, information concerning their performance must be supplied.

0. GENERAL
- 0.1. Make (trade name of manufacturer):
- 0.2. Type and commercial description(s):
-
- 0.5. Name and address of manufacturer:
-
- 0.7. In the case of components and separate technical units, location and method of affixing of the EEC approval mark:
- 0.8. Address(es) of assembly plant(s):
-
1. CONNECTIONS BETWEEN DRAWING VEHICLES AND TRAILERS AND SEMI-TRAILERS
- 1.1. Detailed technical description (including drawings and material specifications) of the type of the mechanical coupling device:
-
- 1.2. Class and type of the coupling device(s):
- 1.3. Maximum D-value ⁽¹⁾: kN
- 1.4. Maximum vertical load S at the coupling point ⁽¹⁾: kg
- 1.5. Maximum load U at the fifth wheel coupling ⁽¹⁾: tonnes
- 1.6. Maximum V-value ⁽¹⁾: kN
- 1.7. Instructions for attachment of the coupling type to the vehicle and photographs or drawing of the fixing points at the vehicle given by the manufacturer; additional information if the use of the coupling type is restricted to special types of vehicles:
-
-
- 1.8. Information on the fitting of special towing brackets or mounting plates ⁽¹⁾:
-
-
-

Date, file

⁽¹⁾ If applicable.

▼B

ANNEX IV

MODEL (a)

(maximum format: A4 (210 × 297 mm))

EEC TYPE-APPROVAL CERTIFICATE

Stamps of
administration

Communication concerning the:

- type-approval ⁽¹⁾,
- extension of type-approval ⁽¹⁾,
- refusal of type-approval ⁽¹⁾,
- withdrawal of type approval ⁽¹⁾,

of a type of a component with regard to Directive (94/20/EC)

Type-approval number ⁽²⁾:

Reason for extension:

Section I

- 0.1. Make (trade name of manufacturer):
- 0.2. Type and general commercial description(s):
- 0.3. Means of identification of type if marked on the component ⁽³⁾:
- 0.3.1. Location of that marking:
- 0.5. Name and address of manufacturer:
- 0.7. In the case of components and separate technical units, location and method of affixing of the EEC approval mark:
- 0.8. Name(s) and address(es) of assembly plants:

Section II

- 1. Additional information (where applicable): see Appendix I
- 2. Technical service responsible for carrying out the tests:
- 3. Date of test report:

⁽¹⁾ Delete where not applicable.
⁽²⁾ The ECC type-approval number appearing on this document shall consist of all sections outlined in Annex VII to Directive 70/156/EEC, as last amended by Directive 92/53/EEC. The component itself shall be marked as prescribed in the relevant separate Directive.
⁽³⁾ If the means of identification of type contains characters not relevant to describe the component types covered by this type-approval certificate such characters shall be represented in the documentation by the symbol '?' (e.g. ABC??123??).

▼B

4. Number of test report:
5. Remarks (if any): see Appendix I
6. Place:
7. Date:
8. Signature:
9. The index to the information package lodged with the competent authority that has granted type-approval, which may be obtained on request, is attached.

▼B*Appendix I*

to EEC type-approval certificate No

concerning the component type-approval of mechanical coupling devices with regard to Directive 94/20/EC

1. **Additional information**
- 1.1. Class of the type of coupling:
- 1.2. Categories or types of vehicles for which the device is designed or restricted:
.....
- 1.3. Maximum D-value ⁽¹⁾: kN
- 1.4. Maximum vertical load S at the coupling point ⁽¹⁾: kg
- 1.5. Maximum load U at the fifth wheel coupling point ⁽¹⁾: tonnes
- 1.6. Maximum V-value ⁽¹⁾: kN
- 1.7. Instructions for attachment of the coupling type to the vehicle and photographs or drawings of the fixing points at the vehicle given by the manufacturer; additional information if the use of the coupling type is restricted to special types of vehicles:
.....
.....
- 1.8. Information on the fitting of special towing brackets or mounting plates ⁽¹⁾:
.....
.....
.....
5. **Remarks ⁽²⁾:**
.....
.....
.....
.....

⁽¹⁾ Delete where not applicable.

⁽²⁾ Including information as to whether fifth wheel couplings are unsuitable for positive steering.

▼B

ANNEX V

Requirements for mechanical coupling devices

1. COUPLING BALLS AND TOWING BRACKETS

The requirements stated in 1.1 to 1.4 are applicable to all coupling balls and towing brackets of Class A. Section 1.5 lists additional requirements which must be fulfilled by standard coupling balls 50 and flange type towing brackets.

- 1.1. Coupling balls of Class A must conform to Figure 2 in shape and dimensions.
- 1.2. The shape and the dimensions of the towing brackets have to meet the requirements of the vehicle manufacturer concerning the attachment points and additional mounting devices, if necessary.
- 1.3. In the case of removable coupling balls the point of connection and their locking must be designed for positive mechanical engagement.
- 1.4. Coupling balls and towing devices must be able to satisfy the tests laid down in Annex VI, Section 4.1.

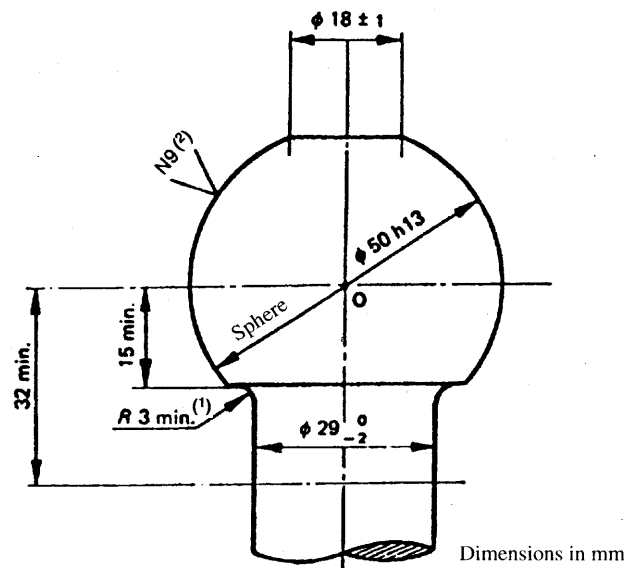


Figure 2

(1) The connecting radius between the ball and the neck should be tangential both to the neck and to the lower horizontal surface of the coupling ball.

(2) See ISO/R 468 and ISO 1302; the roughness number N9 refers to an R_a value of 6,3 mm.

- 1.5. Special requirements for standard coupling balls and flange type towing brackets of Classes A 50-1, A 50-2 and A 50-3.
 - 1.5.1. Dimensions of Class A 50-1 coupling balls and flange type towing brackets must be as given in Figure 3 and Table 1. The clearance space for coupling balls prescribed in Annex VII, Figure 30 must be respected.
 - 1.5.2. Dimensions of Class A 50-2 and Class A 50-3 coupling balls and flange type towing brackets must be as given in Figure 4 and Table 1. The clearance space for coupling balls prescribed in Annex VII, Figure 30 must be respected.
 - 1.5.3. Coupling balls and flange type towing brackets of the Classes A 50-1, A 50-2 and A 50-3 must be suitable and tested for the characteristic values given in Table 2.

▼B

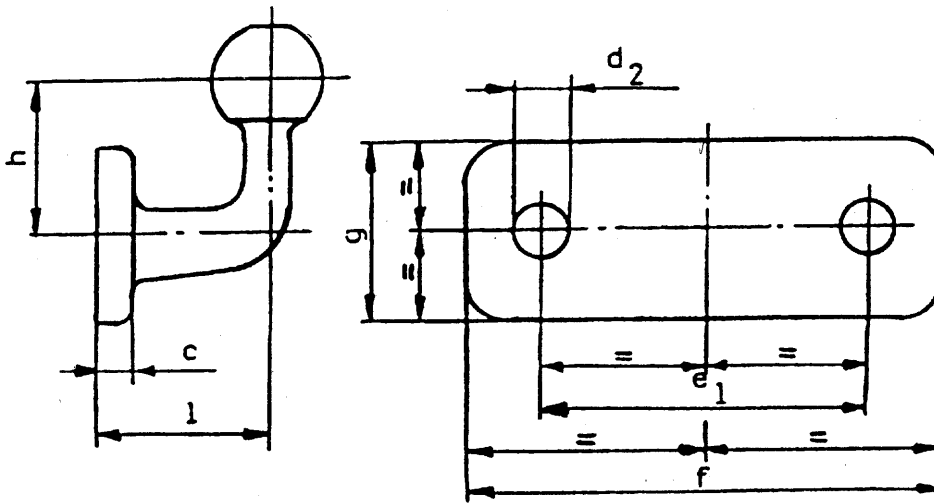


Figure 3

Dimensions of standard ball couplings and flange type towing brackets of Class A 50-1 (mm)
(see Table 1)

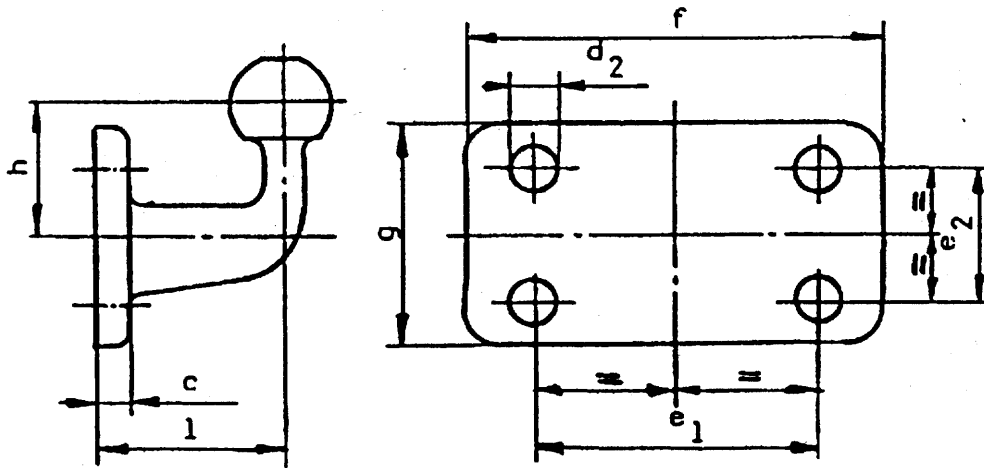


Figure 4

Dimensions of standard ball couplings and flange type towing brackets of Classes A 50-2 and A 50-3 (mm)
(see Table 1)

▼B

TABLE 1

Dimensions of standard ball couplings and flange type towing rackets (mm)

(see Figures 3 and 4)

	A 50-1	A 50-2	A 50-3	Remarks
e ₁	90	83	120	±0,5
e ₂	—	56	55	±0,5
d ₂	17	10,5	15	H13
f	130	110	155	+6,-0
g	50	85	90	+6,-0
c	15	15	15	maximum
l	55	110	120	±5
h	70	80	80	±5

TABLE 2

Characteristic values for standard ball couplings and flange type towing brackets

	A 50-1	A 50-2	A 50-3
D	17	20	30
S	120	120	120

D = maximum D-value (kN)

S = maximum static vertical load (kg)

2. COUPLING HEADS

- 2.1. Coupling heads of Class B 50 must be designed so that they can be used safely with the coupling balls described in Section 1 of this Annex and thereby retain the prescribed characteristics.

Coupling heads must be designed in such a way that safe coupling is ensured, also taking into account the wear of the coupling devices.

- 2.2. Coupling heads must be able to satisfy the tests laid down in Annex VI, Section 4.2.
- 2.3. Any additional device (e. g. braking, stabilizer, etc.) shall not have any adverse effect on the mechanical connection.
- 2.4. Horizontal rotation of the coupling head at least 90° to either side of the centreline of the coupling ball and mounting described in Section 1 of this Annex when not attached to the vehicle must be possible. Simultaneously there must be an angle of free vertical movement 20° above and below the horizontal. Also, in conjunction with the horizontal angle of rotation of 90° it must be possible for there to be 25° of roll in both directions about the horizontal axis. The following combinations of motions must be possible:

— vertical pitch ± 15° with axial roll ± 25°

— axial roll ± 10° with vertical pitch ± 20°

at all angles of horizontal rotation.

3. DRAWBAR COUPLINGS

The requirements of Sections 3.1 to 3.8 are applicable to all drawbar couplings of Class C 50. Section 3.9 lists the additional requirements which must be fulfilled by standard drawbar couplings of Classes C 50-1 to C 50-6.

▼B**3.1. Load requirements**

All drawbar couplings shall be able to satisfy the tests stated in Annex VI, Section 4.3.

3.2. Suitable drawbar eyes

Class C 50 drawbar couplings shall be compatible with all Class D 50 drawbar eyes and coupling with the specified characteristics.

3.3. Automatic operation

Drawbar couplings must be automatic in operation (see Annex I, Section 2.1.17).

3.4. Jaw

Class C 50 drawbar couplings must have a jaw which is designed such that the appropriate drawbar eyes is guided into the coupling.

If the jaw, or a part supporting the jaw, can pivot about the vertical axis, it must establish itself automatically in the normal position and, with the coupling pin open, be effectively restrained in this position to give satisfactory guidance for the drawbar eye during the coupling procedure.

If the jaw, or a part supporting the jaw, can pivot about the transverse axis, the joint providing the rotation capability must be restrained in its normal position by a locking torque. This torque must be sufficient to prevent a force of 200 N acting vertically upwards on the top of the jaw producing any deflection of the joint from its normal position. It must be possible to bring the jaw to its normal position manually. A jaw that pivots about the transverse axis is only approved for vertical bearing loads S of up to 50 kg and a V -value of up to 5 kN.

If the jaw, or a part supporting the jaw, is pivoted about the longitudinal axis, the rotation must be restrained by a locking torque of at least 100 Nm.

The minimum required size of the jaw depends on the D value of the coupling:

D -value \leq 18 kN:	width 150 mm, height 100 mm
18 kN < D -value \leq 25 kN:	width 280 mm, height 170 mm
25 kN < D -value:	width 360 mm, height 200 mm

The external corners of the jaw may be radiused.

Smaller jaws are permitted for Class C 50-X drawbar coupling if their use is restricted to centre-axle trailers up to 3,5 tonnes maximum permissible mass or if the use of a jaw from the above table is impossible due to technical reasons and if, furthermore, there are special circumstances such as visual aids for ensuring safe execution of the automatic coupling procedure and if the field of application is restricted in the approval according to Annex III.

3.5. Minimum freedom of movement of the coupled drawbar eye

The coupled drawbar eye must be able to rotate horizontally $\pm 90^\circ$ about the vertical axis from the longitudinal axis of the vehicle (see Figure 5). The coupled drawbar eye must be able to rotate vertically $\pm 20^\circ$ about the transverse axis from the horizontal plane of the vehicle (see Figure 6). If the motion is provided by a special joint (only on Class C 50-X drawbar couplings) the field of application given in the approval according to Annex III must be restricted to the cases stated in Annex VII, Section 2.3.7. It must be possible for the coupled drawbar eye to be rotated axially $\pm 25^\circ$ about the longitudinal axis from the horizontal plane of the vehicle (see Figure 7).

The stated angles of rotation are applicable to drawbar couplings not attached to the vehicle.

▼B**3.6. Minimum angle for coupling-up and uncoupling**

Coupling and uncoupling of the drawbar eye must also be possible when the longitudinal axis of the drawbar eye in relation to the centreline of the jaw:

- 3.6.1. is rotated 50° horizontally to right or left;
- 3.6.2. is rotated 6° vertically up or down;
- 3.6.3. is rotated 6° axially to right or left.

3.7. Locking to prevent inadvertent uncoupling

In the closed position the coupling pin must be secured by two positive mechanical securing devices each of which must remain effective should the other fail.

The closed and secured position of the coupling must be clearly indicated externally by a mechanical device. It must be possible to verify the position of the indicator by feel, e. g. in the dark.

The mechanical device must indicate the engagement of both locking devices (an AND condition).

However, it is sufficient for the engagement of only one locking device to be indicated if, in this situation, engagement of the second locking device is an inherent feature of the design.

3.8. Hand levers

Hand levers must be of a design suitable for easy use with the end rounded off. The coupling must have no sharp edges or points of possible pinching near the hand lever which could result in injury during operation of the coupling. The force needed to release the coupling, measured without the drawbar eye, must not exceed 250 N perpendicular to the hand lever along the line of operation.

3.9. Special requirements for standard drawbar couplings of Class C 50-1 to C 50-6.

- 3.9.1. The swivel motion of the drawbar eye about the transverse axis must be achieved through the spherical shape of the coupling pin (and not by means of a joint, see Figure 6).
- 3.9.2. Tensile and compressive shock loads along the longitudinal axis due to the clearance between the coupling pin and the drawbar eye must be attenuated by spring and/or damping devices (except C 50-1).
- 3.9.3. The dimensions given in Figure 8 and Table 3 must be adhered to.
- 3.9.4. The couplings must be suitable and tested for the characteristic values given in Table 4.
- 3.9.5. The coupling must be opened by means of a hand lever at the coupling (no remote control).

▼B

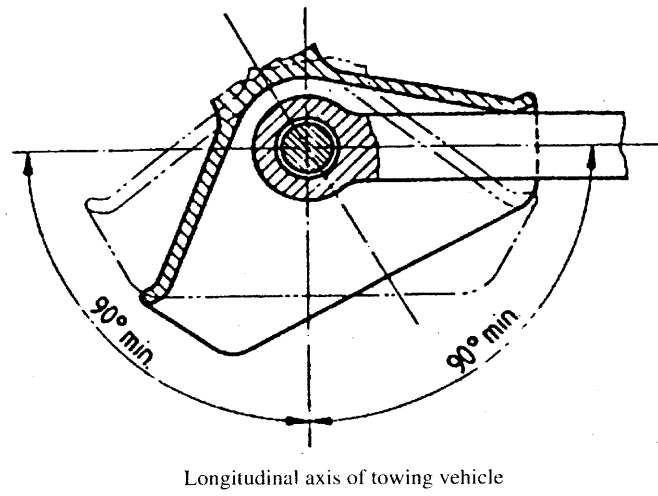


Figure 5

Minimum horizontal rotation of the coupled drawbar eye $\pm 90^\circ$ about the vertical axis from the longitudinal axis of the vehicle

▼B

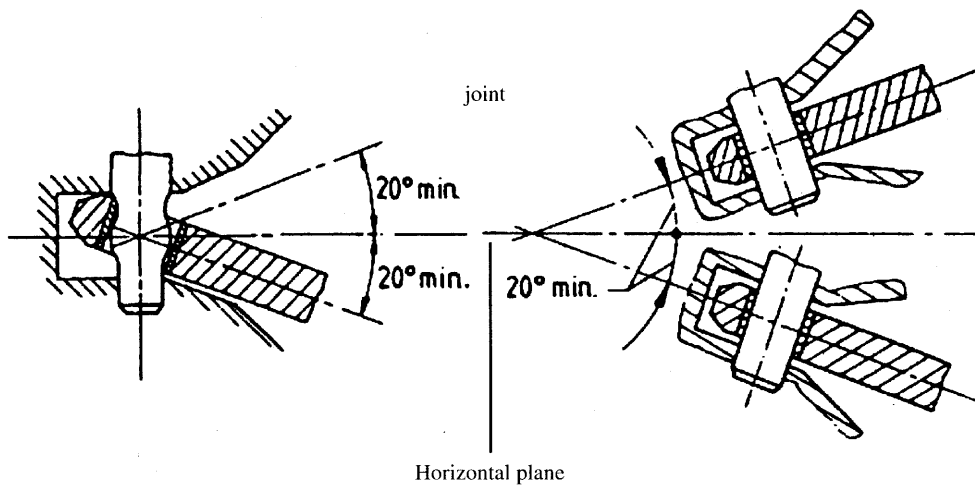


Figure 6

Minimum vertical rotation of the coupled drawbar eye $\pm 20^\circ$ about the transverse axis from the horizontal plane of the vehicle

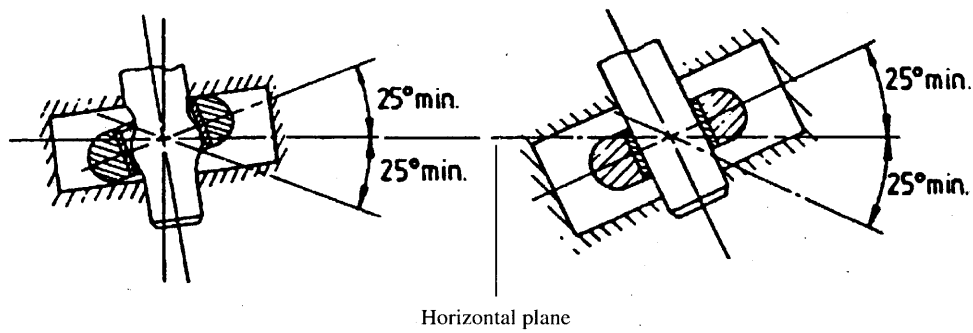


Figure 7

Minimum axial rotation of the coupled drawbar eye $\pm 25^\circ$ about the longitudinal axis from the horizontal plane of the vehicle

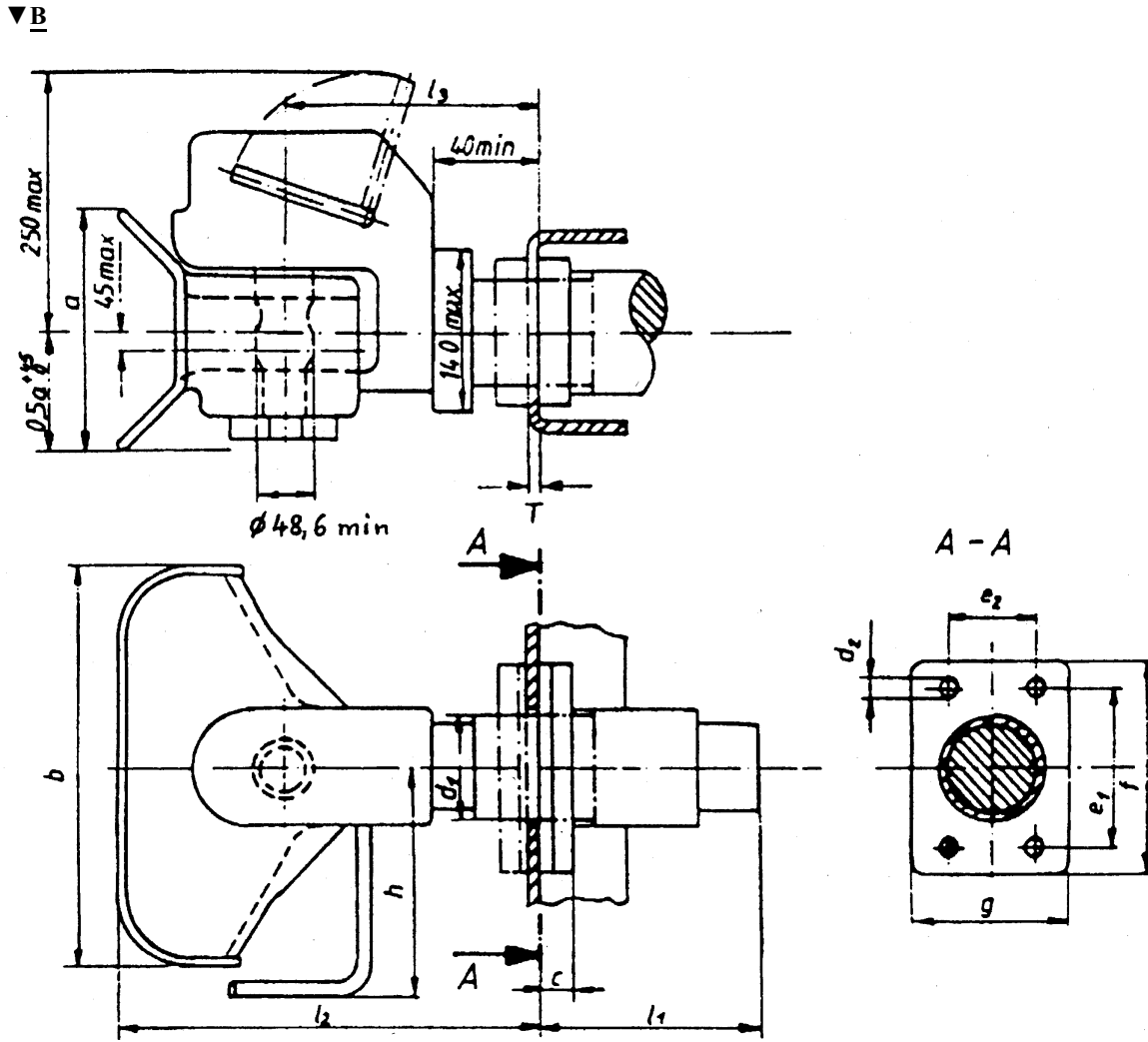


Figure 8

Dimensions of the standard drawbar coupling (mm) (see Table 3).



TABLE 3

Dimensions of standard drawbar couplings (mm) (see Figure 8)

	C 50-1	C 50-2	C 50-3	C 50-4	C 50-5	C 50-6	Remarks
e ₁	83	120	140	160			± 0,5
e ₂	56	55	80	100			± 0,5
d ₁	—	54	74	84	94		maximum
d ₂	10,5	15	17	21			H13
f	110	155	180	200			+6,-0
g	85	90	120	140			±3
a	100	170	200	200	200		+20,-0
b	150	280	360	360	360		+20,-0
c	20	24	30	30			maximum
h	150	190	265	265	265		maximum
l ₁	—	150	250	300	300		maximum
l ₂	150	300	330	330	330		maximum
l ₃	100	160	180	180	180		±20
T	—	15	20	35	35		maximum

TABLE 4

Characteristic values for standard drawbar couplings:

	C 50-1	C 50-2	C 50-3	C 50-4	C 50-5	C 50-6
D	18	25	70	100	130	190
D _c	18	25	50	70	90	120
S	200	250	650	900	1 000	1 000
V	12	10	18	25	35	50

D = maximum D value (kN)

D_c = maximum D value (kN) for centre-axle trailers

S = maximum static vertical bearing load (kg)

V = maximum V-value (kN)

4. DRAWBAR EYES

The requirements stated in Section 4.1 are applicable to drawbar eyes of Class D 50.

Sections 4.2 to 4.5 list the additional requirements which must be fulfilled by standard drawbar eyes.

4.1. General requirements for drawbar eyes

All drawbar eyes shall be able to satisfy the test stated in Annex VI, Section 4.4.

Class D 50 drawbar eyes are intended for use with C 50 drawbar couplings. Drawbar eyes must not be able to rotate axially (because the respective couplings can rotate).

If Class D 50 drawbar eyes are fitted with sleeves, they shall comply with the dimensions shown in Figure 12 (except class D 50-C) or Figure 13.

The sleeves must not be welded into the drawbar eyes.

Class D 50 drawbar eyes must have the dimensions illustrated in Figure 9 (if not stated otherwise in Section 4.2, 4.3 or 4.4). The form of shank for drawbar eyes of Class D 50-X is not specified, but in a distance of 210 mm from the centre of the eye the height 'h' and the width 'b' must be within the limits given in Table 6.

▼B**4.2. Special requirements for drawbar eyes of Class D 50-A**

Drawbar eyes of class D 50-A must have the dimensions illustrated in Figure 9.

4.3. Special requirements for drawbar eyes of Class D 50-B

Class D 50-B drawbar eyes must have the dimensions illustrated in Figure 10.

4.4. Special requirements for drawbar eyes of Class D 50-C

Class D 50-C drawbar eyes must have the dimensions illustrated in Figure 11.

Class D 50-C drawbar eyes must be fitted with the sleeves illustrated in Figure 13.

4.5. Load values for standard drawbar eyes

The standard drawbar eyes and their means of attachment must be suitable and tested for the load values stated in Table 5.

TABLE 5

Characteristic values for standard drawbar eyes

Class	D	D _c	S	V
D 50-A	130	90	1 000	30
D 50-B	130	90	1 000	25
D 50-C	190	120	1 000	50

D = maximum D value (kN)

D_c = maximum D value (kN) for centre-axle trailers

S = maximum static vertical bearing load (kg)

V = V-value (kN)

TABLE 6

Dimensions for drawbar eyes D 50-A and D 50-X, (see Figure 9)

Class	h (mm)	b (mm)
D 50-A	65 ₋₁ ⁺²	60 ₋₁ ⁺²
D 50-X	67 maximum	62 maximum

▼B

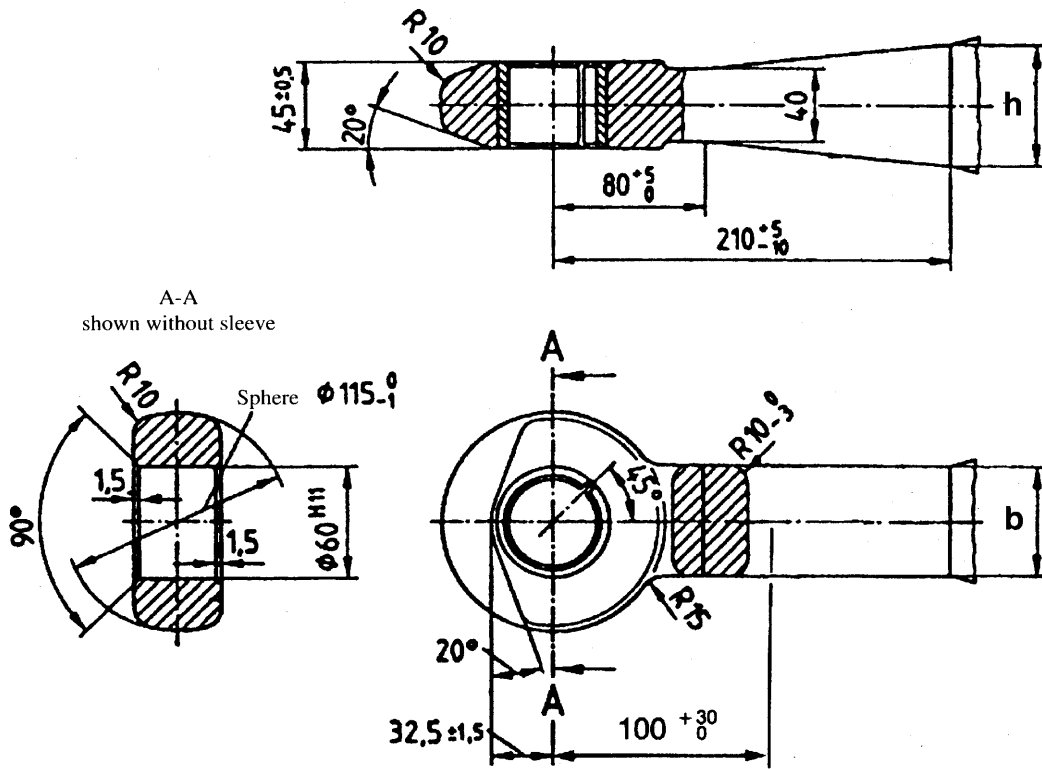


Figure 9

Dimensions of Classes D 50-A and D 50-X drawbar eyes (see Table 6)

▼B

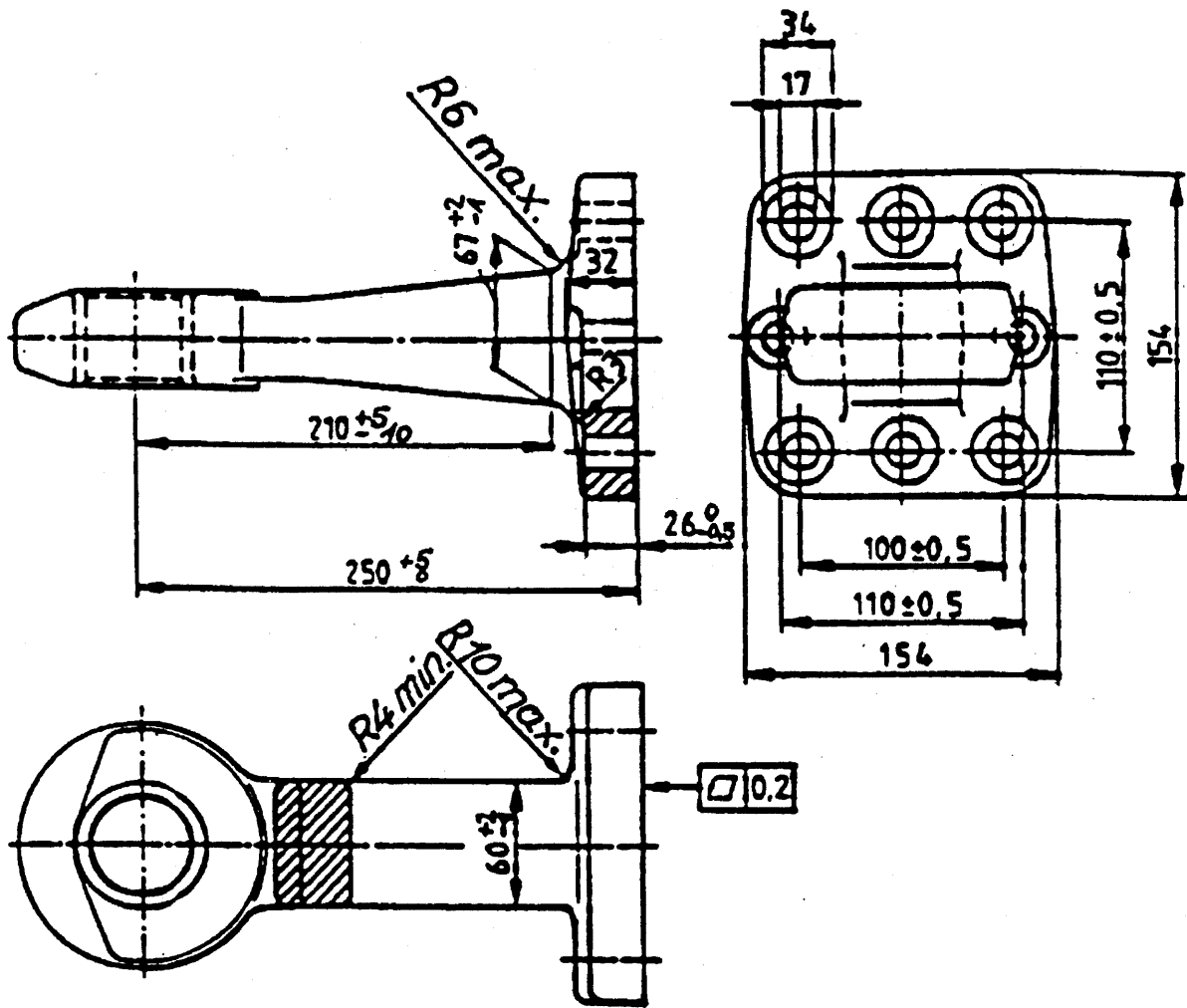


Figure 11

Dimensions of Class D 50-C1 drawbar eyes (see Figure 9 for missing dimensions)

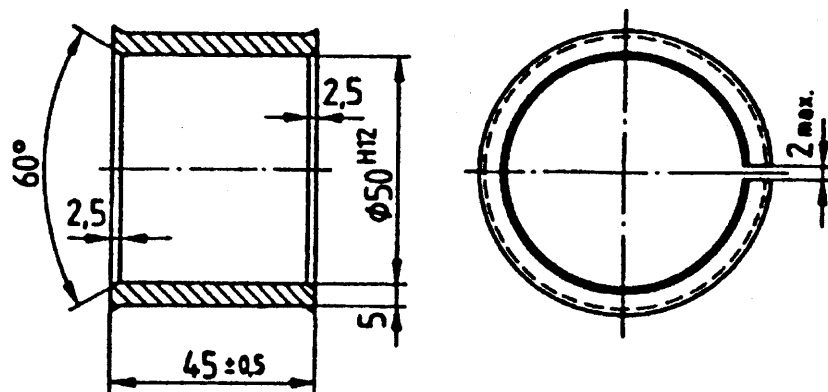


Figure 12

Slotted sleeve for D 50 drawbar eyes

▼B

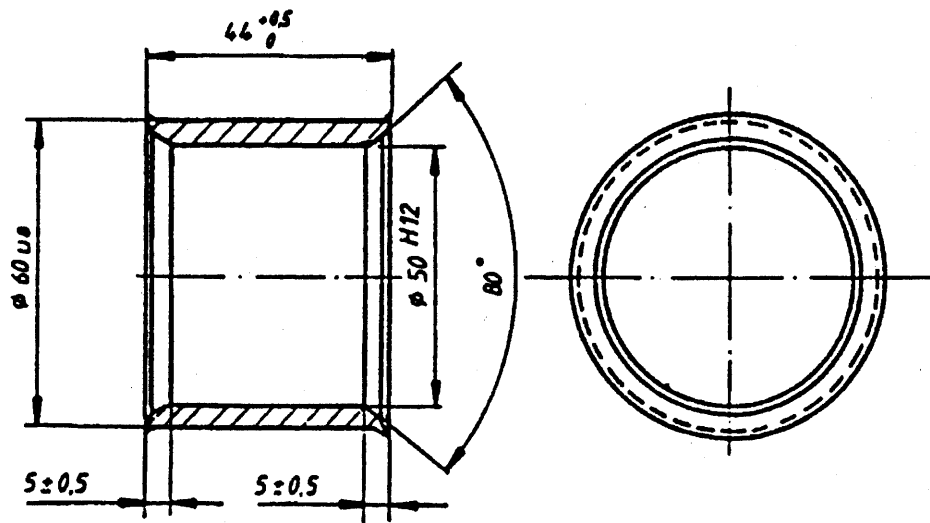


Figure 13

Non-slotted sleeve for D 50-C drawbar eyes

5. DRAWBARS

5.1. Drawbars of Class E must be able to satisfy the tests described in Annex VI, Section 4.5.

5.2. In order to provide a connection to the towing vehicle, the drawbars can be fitted either with coupling heads as in Section 2 or drawbar eyes as in Section 4 of this Annex. The coupling heads and drawbar eyes can be attached by screwing, bolting or welding.

5.3. Hinged drawbars must be clear of the ground. They shall not fall below a height of 200 mm from the ground when released from the horizontal position.

5.4. Height adjusting devices for hinged drawbars

5.4.1. Hinged drawbars have to be equipped with devices for adjusting the drawbar to the height of the coupling device or jaw. These devices must be designed so that the drawbar can be adjusted by one person without tools or any other aids.

5.4.2. Height adjusting devices must be able to adjust the drawbar eyes or ball couplings from the horizontal above the ground at least 300 mm upwards and downwards. Within this range the drawbar must be adjustable steplessly or in maximum steps of 50 mm measured at the drawbar eye or ball coupling.

5.4.3. The height adjusting device must not interfere with easy movement of the drawbar after coupling-up.

5.4.4. The height adjusting devices must not interfere with the action of any overrun brake.

5.5. In the case of drawbars combined with overrun brakes the distance between the centre of the drawbar eye and the end of the free shank of the drawbar eye must not be less than 200 mm in the brake application position. With the shank of the drawbar eye fully inserted the distance must not be less than 150 mm.

5.6. Drawbars for use on centre-axle trailers must possess at least half the moment of resistance against lateral forces as against vertical forces.

6. MOUNTING FRAMES

6.1. Mounting frames shall be appropriate for the attachment of the concerned coupling device to the corresponding vehicle(s).

▼B

6.2. Mounting frames must not be welded to the chassis, bodywork or other part of the vehicle.

6.3. Mounting frames must be able to satisfy the tests laid down in Annex VI, Section 4.3.

7. **FIFTH WHEEL COUPLINGS AND STEERING WEDGES**

The requirements of Sections 7.1 to 7.9 are applicable to all fifth wheel couplings of Class G 50.

Section 7.10 lists the additional requirements which must be fulfilled by standard coupling devices.

Steering wedges must satisfy the requirements listed in Section 7.9.

7.1. **Suitable fifth wheel coupling pins**

Class G 50 fifth wheel couplings must be designed so that they can be used with Class H 50 coupling pins and provide the specified characteristics with them.

7.2. **Automatic operation**

Fifth wheel couplings must be automatic in operation (see Annex I, Section 2.1.17).

7.3. **Guides**

Fifth wheel couplings must be equipped with a guide which ensures safe and secure engagement of the coupling pin. The entry width of the guide must be at least 350 mm.

7.4. **Minimum free movement of the fifth wheel coupling with the coupling pin engaged (but with the fifth wheel coupling not attached to a mounting plate or vehicle)**

With the coupling pin engaged, fifth wheel couplings must permit the following minimum values of rotation of the coupling pin in the travelling position:

7.4.1. $\pm 90^\circ$ about the vertical axis (not applicable to fifth wheel couplings with positive steering) and, simultaneously,

7.4.2. $\pm 12^\circ$ about the horizontal axis transverse to the direction of travel. This angle does not necessarily cover off-road use.

7.4.3. Rotation about the longitudinal axis of up to $\pm 3^\circ$ is permitted. However, on a fully oscillating fifth wheel coupling, this angle may be exceeded, providing that locking mechanism enables the restriction of the rotation up to $\pm 3^\circ$.

7.5. **Locking devices to prevent uncoupling of fifth wheel couplings**

The locking mechanism of the coupling must secure the coupling pin two positive ways; the second locking device may operate on the first. The first locking device must operate automatically at coupling-up. If the second locking device has to be operated by hand it should only be possible to engage it after the first device has been fully engaged. If the second locking device operates automatically, the engagement of both must be indicated visually.

7.6. **Operating devices**

In the closed position the operating devices must be secured to prevent inadvertent operation.

7.7. **Surface finish**

The surfaces of the coupling plate and coupling lock must be functionally satisfactory and carefully machined, forged, cast or pressed.

▼B**7.8. Load requirements**

All fifth wheel couplings must be able to satisfy the tests described in Annex VI, Section 4.6.

7.9. Steering wedges

Coupling of Class G 50-X which are unsuitable for positive steering must be marked appropriately.

7.9.1. The dimensions of steering wedges for the positive steering of semi-trailers must be as in Figure 15.

7.9.2. The steering wedge must allow safe and secure coupling-up. The steering wedge must be spring-mounted. The strength of the spring must be selected so that it is possible to couple up an unloaded semi-trailer and so that, with the semi-trailer fully loaded, the steering wedge is firmly in contact with the flanks of the coupling during travel. Uncoupling of the fifth wheel must be possible with the semi-trailer both loaded and unloaded.

7.10. Special requirements for standard fifth wheels couplings

7.10.1. Standard fifth wheel couplings must have the dimensions indicated in Figure 14 and Table 7.

7.10.2. Standard fifth wheel couplings must be suitable for and tested for a D-value of 150 kN and a value of U of 20 tonnes.

7.10.3. Release must be possible by a hand lever directly at the coupling.

7.10.4. Standard fifth wheel couplings must be suitable for the positive steering of semi-trailers by means of steering wedges (see Section 7.9).

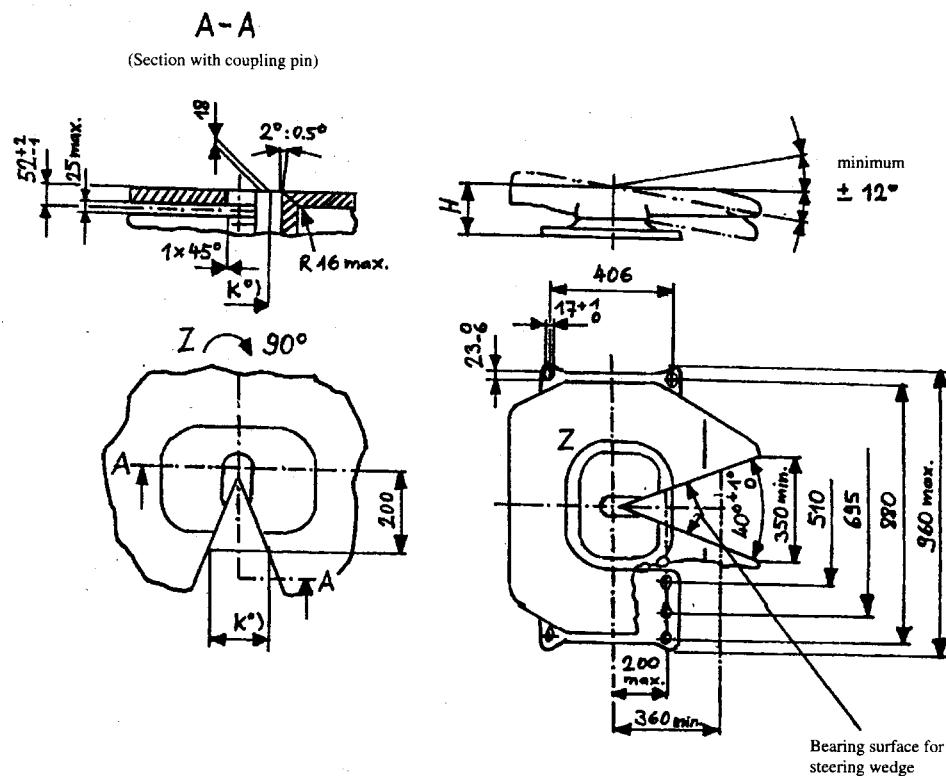


Figure 14

Dimensions of standard fifth wheel couplings (see Table 7)

(*) To provide for the use of steering wedges, measure the reference dimension $k = 138 \pm 3$ mm, 18 mm below the topface at a distance of 200 mm.

▼B

TABLE 7

Dimensions of standard fifth wheel couplings (mm) (see Figure 14)

	G 50-1	G 50-2	G 50-3	G 50-4	G 50-5	G 50-6
H	140 to 159	160 to 179	180 to 199	200 to 219	220 to 239	240 to 260

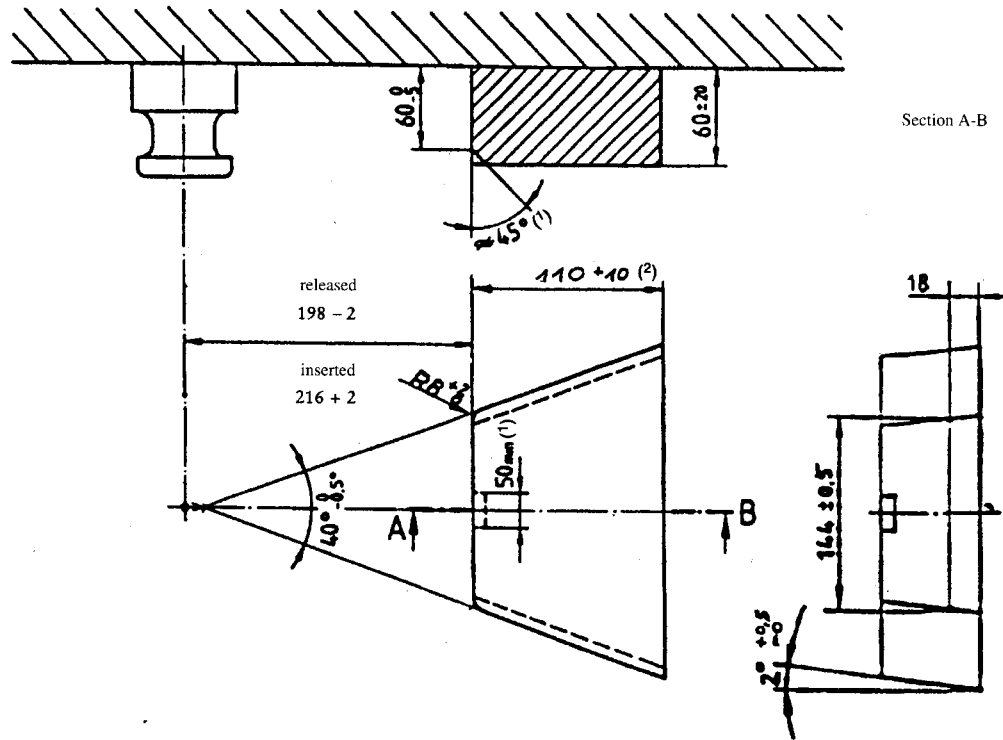


Figure 15

Dimensions of spring-mounted steering wedges

(1) Only applicable to steering wedges over 60 mm thick.

(2) This dimension only refers to the functional surface; the steering wedge itself can be longer.

▼B

8. FIFTH WHEEL COUPLING PINS
- 8.1. Fifth wheel coupling pins of class H 50 (ISO 337) must have the dimensions shown in Figure 16.
- 8.2. The coupling pins must be able to satisfy the tests described in Annex VI, Section 4.8.

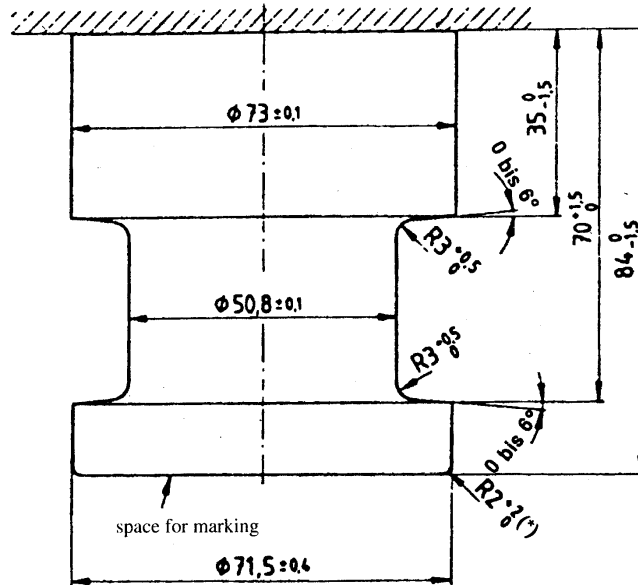


Figure 16

Dimensions of Class H 50 fifth wheel coupling pins

(*) optional chamfer $2^{+2}_0 \times 45^\circ$

9. MOUNTING PLATES
- 9.1. Class J mounting plates for fifth wheel couplings must have a hole configuration corresponding to Figure 14 if they are intended for standard fifth wheel couplings.
- 9.2. Mounting plates for standard fifth wheel couplings must be suitable for the positive steering of semi-trailers (with steering wedges). Mounting plates for non-standard fifth wheel couplings which are unsuitable for positive steering must be marked appropriately.
- 9.3. Mounting plates for fifth wheel couplings must be able to satisfy the tests described in Annex VI, Section 4.7.
10. DEVICES FOR REMOTE INDICATION AND REMOTE CONTROL
- 10.1. **General requirements**
- Devices for remote indication and remote control are permitted on automatic coupling devices of Classes C 50-X and G 50-X.
- Devices for remote indication and remote control must not interfere with the minimum free movement of the coupled drawbar eye or coupled semi-trailer. They must be permanently connected to the vehicle.
- All the devices for remote indication or remote control fall within the scope of testing and approval of the coupling device together with all parts of the operating devices and transmission devices.
- 10.2. **Remote indication**
- 10.2.1. For an automatic coupling procedure, remote indication devices must indicate the closed and doubly locked position of the coupling in an optical manner according to Section 10.2.2 and/or 10.2.3.
- 10.2.2. The change from the open to the closed and doubly locked position shall be indicated by a green optical signal.
- 10.2.3. If the open and/or unsecured position is indicated, a red optical signal shall be used.

▼B

- 10.2.4. In the case of indicating the completion of the automatic coupling procedure, the remote indicator shall ensure that the coupling pin has reached the doubly locked end position.
- 10.2.5. The appearance of any fault in the remote indication system shall not indicate a closed and locked position during the coupling procedure if the end position has not been reached.
- 10.2.6. The disengagement of one of the two locking devices must cause the green optical signal to extinguish and/or the red optical signal to show.
- 10.2.7. The mechanical indicators directly at the coupling device must be retained.
The remote indication device shall be automatically activated during every coupling procedure.
- 10.2.8. In order to avoid distracting the driver during normal driving, there shall be a provision for switching off the remote indication device.
- 10.2.9. The operating controls and indicators of the remote indication devices must be mounted within the driver's field of vision and be permanently and clearly identified.
- 10.3. **Remote control**
- 10.3.1. If a remote control device is employed, there must also be a remote indication device as described in Section 10.2 which must also indicate the open condition of the coupling.
- 10.3.2. There must be a dedicated switch (i. e. master switch, lever or valve) to enable the coupling to be opened or closed by means of the remote control device. If this master switch is not located in the driving cab it must not be in a position where it is freely accessible to unauthorized persons or it must be lockable. The actual operation of the coupling from the driving cab may only be possible when inadvertent operation has been precluded (e. g. by means of two-hand operation).
It must be possible to ascertain whether opening of the coupling under remote control has been completed or not.
- 10.3.3. If remote control involves the coupling being opened by external force, the condition under which the external force acts on the coupling must be indicated appropriately to the driver. This is not necessary if the external force is only operative while the remote control is operating.
- 10.3.4. If the actuating device for opening the coupling under remote control is mounted externally on the vehicle it must be possible to oversee the area between the coupled vehicles, but it must not be necessary, however, to enter this area in order to operate it.
- 10.3.5. Any single error in operation or the occurrence of any single fault in the system must not result in accidental opening of the coupling during normal road travel. Any faults in the system must be indicated directly or be immediately obvious at the next operation. e. g. by a malfunction.
- 10.3.6. In the event of a failure of remote control it must be possible to open the coupling in at least one other way in an emergency case. If this requires the use of a tool it must be included in the vehicle's tool kit. The requirements of Annex V, Section 3.8 are not applicable to hand levers used exclusively for opening the coupling in an emergency.
- 10.3.7. The operating controls and indicators for the remote control devices must be permanently and clearly identified.



ANNEX VI

TESTING OF MECHANICAL COUPLING DEVICES

1. GENERAL TESTING REQUIREMENTS

- 1.1. Specimens of coupling devices must be tested; both, strength tests and function tests being performed. However the Technical Service may waive a strength test if the simple design of a component makes a theoretical check possible. The theoretical checks must ensure the same quality of results as with dynamic or static testing. In cases of doubt it is the results of dynamic testing that are overriding. The Technical Service responsible will decide on the type of tests to be employed.
- 1.2. With coupling devices the strength must be verified by a dynamic test (endurance test). In certain cases some additional static tests may be necessary (see Section 4).
- 1.3. The dynamic test should be performed with approximately sinusoidal load (alternating and/or pulsating) with a number of stress cycles appropriate to the material. No cracks or fractures must occur.
- 1.4. Only slight permanent deformation is permitted with the static tests prescribed. The plastic deformation after releasing must not be more than 10 % of the maximum deformation.
- 1.5. The loading assumptions in the dynamic tests are based on the horizontal force component in the longitudinal axis of the vehicle and the vertical force component. Horizontal force components transverse to the longitudinal axis of the vehicle, and moments, are not taken into account provided they are of only minor significance.

If the design of the coupling device or its attachment to the vehicle or the attachment of additional systems (as stabilizers, short coupling systems, etc.) generates additional forces or moments additional tests may be required by the Technical Service.

The horizontal force component in the longitudinal axis of the vehicle is represented by a theoretically determined reference force, the D value as defined in Annex 1, Section 2.1.18. The vertical force component, where applicable, is represented by the static vertical bearing load S at the point of coupling and the assumed vertical load V, defined in Annex I, Section 2.1.19 or by the static vertical bearing load U in case of fifth wheel couplings.

- 1.6. The characteristic values D, S, V and U on which the tests are based, must be taken from the manufacturer's application for the granting of EEC type-approval.

2. TEST PROCEDURES

- 2.1. For the dynamic tests and static tests the specimen must be placed in a suitable rig with a suitable means of force application so that it is not subjected to any additional forces or moments apart from the specified test force. In the case of alternating tests the direction of force application must not deviate by more than $+1^\circ$ from the specified direction. In the case of pulsating and static tests the angle must be set for top force. This will normally require a joint at the point of force application (i. e. the point of coupling) and a second joint an adequate distance away.
- 2.2. The test frequency must not exceed 35 Hz. The selected frequency shall be well separated from resonance frequencies of the test set-up including the tested device. With asynchronous testing the frequencies of the two force components must be approximately 1 % to a maximum of 3 % apart. For coupling devices made of steel the number of stress cycles is 2×10^6 . For devices made of other materials than steel a higher number of cycles may be necessary. The dye-penetration method of crack testing or an equivalent method must be employed.
- 2.3. With alternating test forces (components) the mean force is zero. With pulsating tests the test force is equal to the top force; the bottom force

▼B

may be up to 5 % of the top force unless stated otherwise in the specific testing requirements.

- 2.4. With static tests other than the special tests required by paragraph 4.2.3, the test force must be applied smoothly and quickly and be maintained for at least 60 seconds.
- 2.5. The coupling devices on test should normally be mounted as rigidly as possible on a test rig in the actual position in which they will be used on the vehicle. The fixing devices should be those specified by the manufacturer or applicant and should be those intended for its attachment to the vehicle and/or shall have identical mechanical characteristics.
- 2.6. Preferably, couplings have to be tested in original condition as being foreseen for the use on the road. At the discretion of the manufacturer and in agreement with the Technical Service flexible components may be neutralized if this is necessary for the test procedure and if there is no concern about unrealistic influence to the test result.

Flexible components being apparently overheated due to this accelerated test procedure may be replaced during the test. The test loads may be applied by means of special slack-free devices.

3. SYMBOLS AND DEFINITIONS IN ANNEX VI

- A_v = maximum permitted axle load of the steered axle in t
- C = mass of centre axle trailer in t (as Annex I, Section 2.1.18)
- D = D value in kN (Annex I, Section 2.1.18)
- R = mass of full trailer in t (Annex I, Section 2.1.18)
- T = mass of towing vehicle in t (Annex I, Section 2.1.18)
- F_A = static lifting force in kN
- F_h = horizontal component of test force in longitudinal axis of vehicle in kN
- F_s = vertical component of test force in kN
- F_q = horizontal component of test force transverse to longitudinal axis of vehicle in kN
- $F_{hs\ res}$ = resultant test force of F_h and F_s in kN
- $F_{hq\ res}$ = resultant test force of F_h and F_q in kN
- S = static vertical load in kg
- U = fifth wheel imposed vertical load in t
- V = V-value in kN (Annex I, Section 2.1.19)
- a = equivalent vertical acceleration factor in the coupling point of centre-axle trailers depending on the kind of suspension on the rear axle(s) of the towing vehicle
- e = longitudinal distance between the coupling point of coupling balls which can be dismantled and the vertical plane of the fixing points (see Figures 22 to 25) in mm
- f = vertical distance between the coupling point of coupling balls which can be dismantled and the horizontal plane of the fixing points (see Figures 21 to 25) in mm
- g = acceleration due to gravity, assumed as $9,81\ m/s^2$
- l = theoretical drawbar length between the centre of the drawbar eye and the centre of the axle assembly in metres

▼B

- n = distance between drawbar eye and centre line of the steered axle in mm
- r = scrub radius in mm
- s = track in mm
- x = length of the loading area of a centre axle trailer in metres

Subscripts:

- O = top force
- U = bottom force
- w = alternating
- h = horizontal
- s = vertical

4. SPECIFIC TESTING REQUIREMENTS**4.1. Coupling balls and towing brackets**

4.1.1. The mechanical coupling devices of coupling balls may be of the following types:

- one-piece coupling balls including devices with non-interchangeable detachable balls (see Figure 20),
- coupling balls, comprising a number of parts which can be dismantled (see Figures 21, 22, 23),
- towing brackets (see Figure 24).

4.1.2. The basic test is an endurance test with an alternating test force. The test specimen is the coupling ball, the ball neck and the mountings necessary for attaching to the vehicle. The coupling ball and towing brackets must be rigidly mounted to a test rig, capable of producing alternating forces, in the actual position in which it is intended for use.

4.1.3. The positions of the fixing points for attaching the coupling ball and towing brackets are specified by the vehicle manufacturer (see Annex VII, Section 1.2).

4.1.4. The devices submitted to the test shall be provided with all design details which may have an influence on the strength criteria (for example electrical socket plate, any marking, etc.). The test periphery ends at the anchorage points or fitting points. The geometric location of the coupling ball and the fixing points of the coupling device related to the reference line shall be provided by the vehicle manufacturer and shall be shown in the test report. All relative positions of the anchorage points with respect to the reference line, for which the towing vehicle manufacturer shall provide all the necessary information to the towing device manufacturer, shall be repeated on the test bed.

4.1.5. The assembly mounted on the test bed shall be subjected to a test on an alternating stress tensile testing machine (for example on a resonance pulser).

The test load shall be an alternating force and must be applied to the coupling ball at an angle of $15^\circ \pm 1^\circ$ as shown in Figure 17 and/or Figure 18.

If the ball centre is above that line parallel to the reference line as shown in Figure 19 which contains the highest of the nearest fixing

▼B

points, the test has to be carried out with an angle $\alpha = - 15^\circ \pm 1^\circ$ (see Figure 17). If the ball centre is below that line parallel to the reference line as shown in Figure 19 which contains the highest of the nearest fixing points, the test has to be carried out with an angle $\alpha = + 15^\circ \pm 1^\circ$ (see Figure 18).

This angle is chosen in order to take account of the vertical static and dynamic load. This test method is only applicable to a permitted static load of not more than

$$S = \frac{120 \cdot D}{g}$$

If a static load above $120 \cdot D$ is requested, the test angle should be increased to 20° . The dynamic test must be performed with the following test force:

$$F_{hs \text{ res}} = \pm 0,6 D$$

▼B

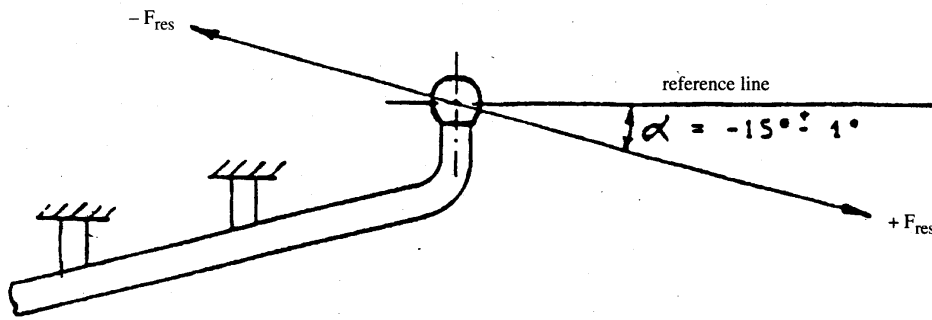


Figure 17
Test rig I

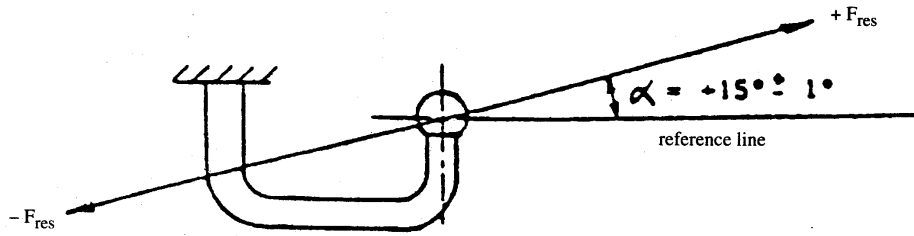


Figure 18
Test rig II

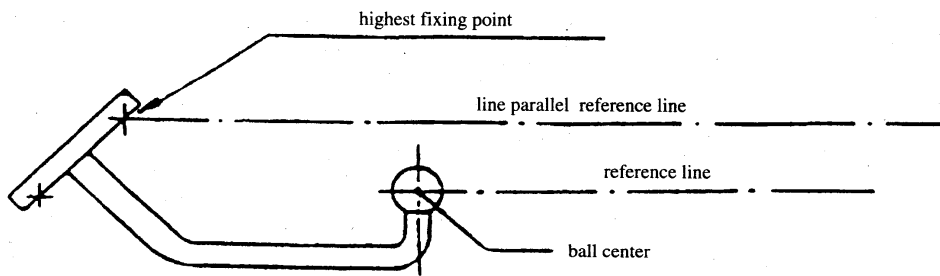


Figure 19
Criteria for the test angles

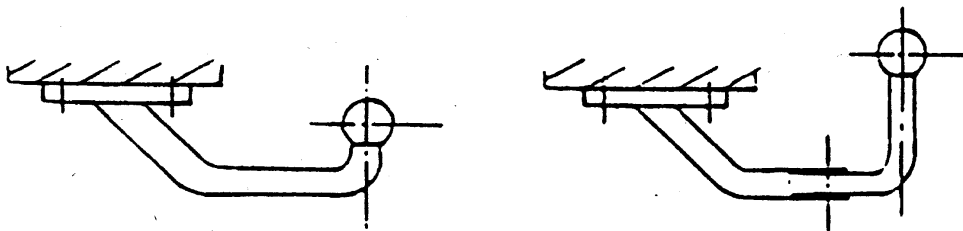


Figure 20
One coupling ball

▼B

4.1.6. The test procedure is applicable to the different types of coupling devices (see Section 4.1.1) as follows:

4.1.6.1. one-piece coupling balls including devices with non-interchangeable detachable balls (see Figure 20).

The strength test for the devices shown in Figure 20 shall be carried out according to the requirements of Section 4.1.5;

4.1.6.2. coupling balls, comprising parts which can be dismantled.

The following categories are defined:

- towing bracket and ball (see Figure 21),
- towing bracket and ball on integral support (see Figure 22),
- towing bracket and ball (see Figure 23),
- towing bracket without ball (see Figure 24).

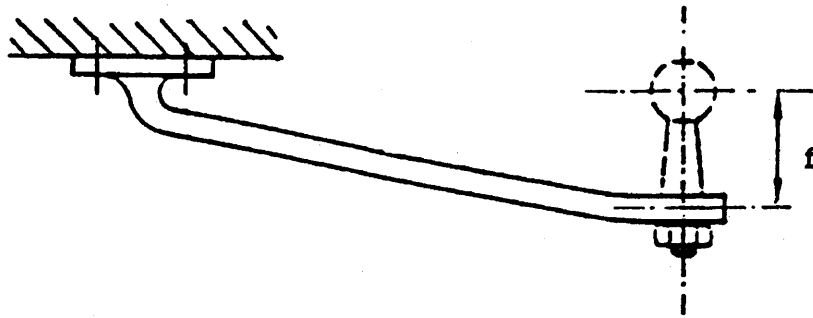


Figure 21

Towing bracket and ball

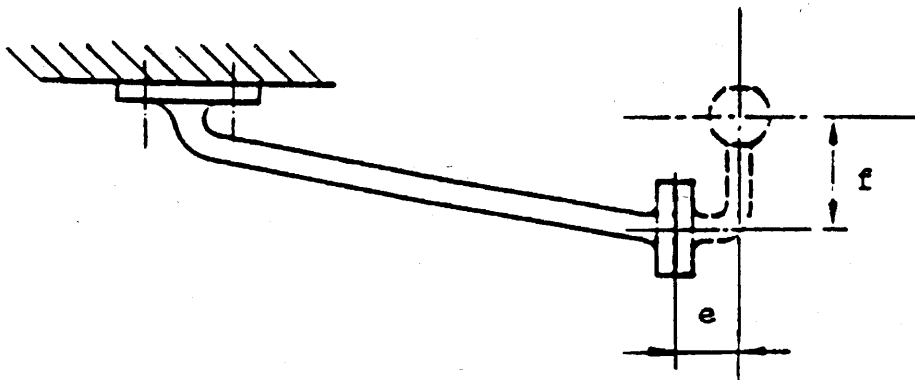


Figure 22

Towing bracket and ball on integral support

▼B

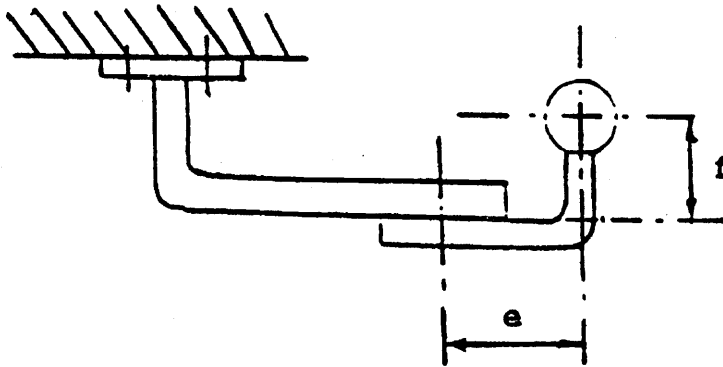


Figure 23

Towing bracket and ball

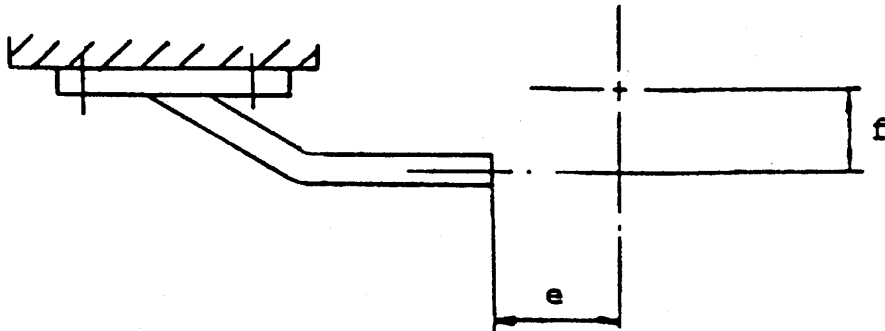


Figure 24

Towing bracket

The strength test for the devices shown in Figures 21 to 23 shall be carried out according to the requirements of Section 4.1.5. Dimensions e and f with a manufacturing tolerance of ± 5 mm, shall be shown in the test report.

The test of the towing bracket (see Figure 24) shall be carried out with a mounted ball (on support). Account will be taken only of the results to the towing bracket between the fixing points and the mounting surface of the ball support.

The dimensions e and f are to be specified by the coupling device manufacturer.

- 4.1.6.3. Coupling devices with variable dimensions e and f for demountable and interchangeable coupling balls.
- 4.1.6.3.1. The strength tests for such towing brackets (shown in Figure 25) shall be carried out to the requirements of Section 4.1.5.
- 4.1.6.3.2. If a worst case configuration can be defined by agreement between the manufacturer and the Technical Service, the testing of this one configuration alone shall be sufficient. Otherwise, several ball positions shall be tested in a simplified test programme according to Section 4.1.6.3.3.
- 4.1.6.3.3. In a simplified test programme, the value for f shall be between a defined value of f_{\min} and a value of f_{\max} which does not exceed 100 mm. The ball shall be at a distance (e_{\max}) of 130 mm from the support. To cover all possible positions of the ball, in the field given

▼B

by the horizontal distance from the mounting surface and the vertical range of f (f_{\min} to f_{\max}), two devices are to be tested:

- one with a ball in top (f_{\max}), and
- one with a ball in low (f_{\min}) position.

If the field of possible ball positions is divided by the line parallel reference line (see Figure 25c), the test angles are:

- α for the ball above, and $+\alpha$ for the ball below that reference line (compare Figure 19).

(a) f_{\max} below line parallel reference line test angles: $+\alpha$

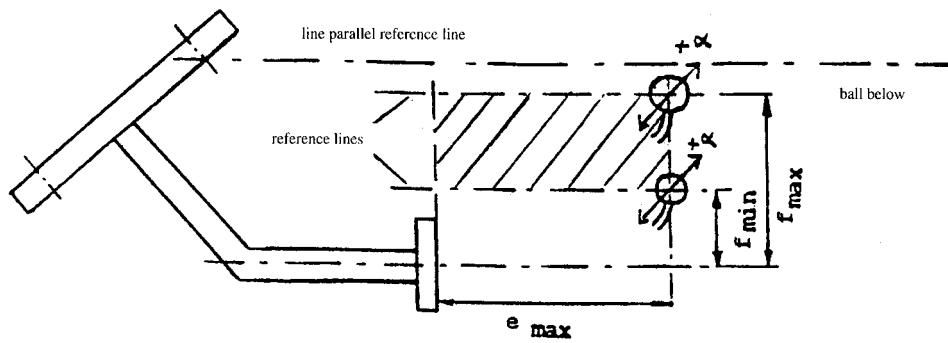


Figure 25a

Towing bracket and support for a various number of ball positions

(b) f_{\min} above line parallel reference line test angles: $-\alpha$

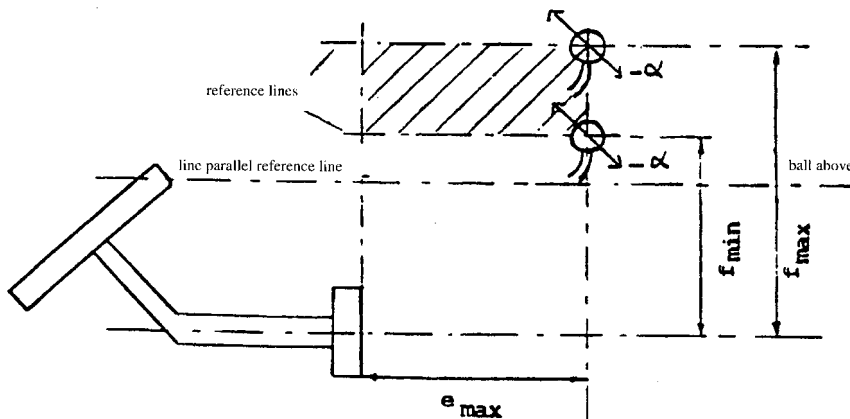


Figure 25b

Towing bracket and support for a various number of ball positions

(c) f_{\max} above line parallel reference line
 f_{\min} below line parallel reference line
 test angles: $+\alpha$ and $-\alpha$

▼B

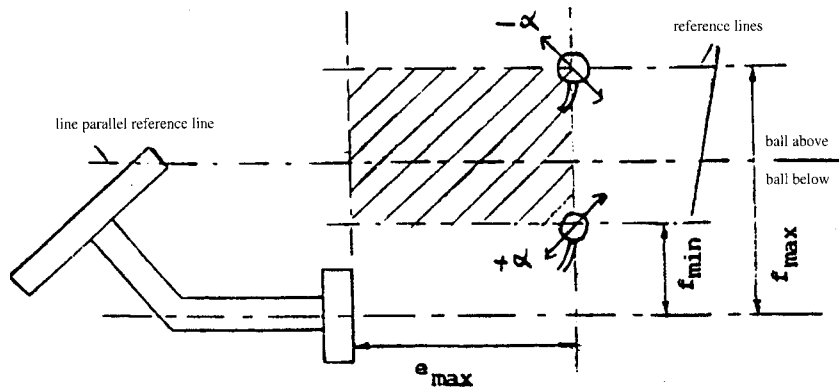


Figure 25c

Towing bracket and support for a various number of ball positions

4.2. COUPLING HEADS

4.2.1. The basic test is an endurance test with an alternating test force and a static test (lifting test) on each test specimen.

4.2.2. The dynamic test must be performed with a Class A coupling ball of appropriate strength. On the test rig the ball coupling and coupling ball must be arranged as instructed by the manufacturer and in a way corresponding to their attachment in a vehicle. There should be no possibility of extra forces in addition to the test force acting on the specimen. The test force must be applied along a line passing through the centre of the ball and inclined downwards to the rear at 15° (see Figure 26). An endurance test must be performed on a test specimen with the following test force:

$$F_{hs\ res\ w} = 0,6\ D$$

$$F_{hs\ res\ w} = 0,6\ D$$

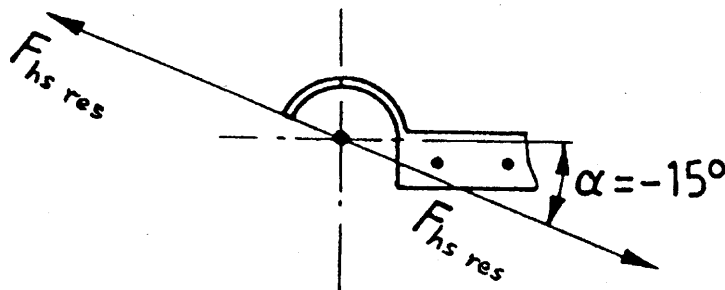


Figure 26

Dynamic test

4.2.3. A static lifting test must also be performed. The coupling ball used for the test must have a diameter of

▼B

$$49 \begin{array}{l} \downarrow + 0,13 \\ \uparrow - 0 \end{array} \text{ mm}$$

in order to represent a worn coupling ball. The lifting force F_A must be increased smoothly and quickly to a value of

$$g \left(c + \frac{S}{1000} \right)$$

and be held for 10 seconds (see Figure 27). The coupling head shall not separate from the ball or exhibit any permanent distortion which could have an adverse effect on its functional capability.

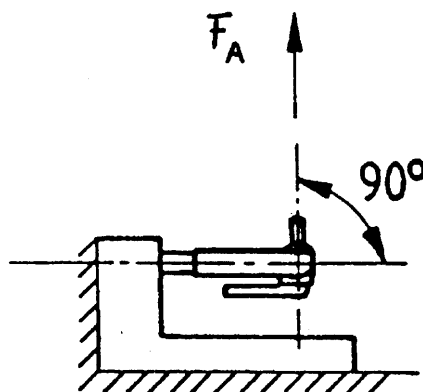


Figure 27

Lifting test

4.3. Drawbar couplings and draw beams

4.3.1. An endurance test must be performed on a test specimen. The coupling device must be equipped with all the fixings needed to attach it to the vehicle. Any intermediate devices fitted between the drawbar couplings and the vehicle frame (i. e. drawbeams) must be tested with the same forces as the coupling. When testing drawbeams intended for standard drawbar couplings, the vertical load shall be applied at a longitudinal distance from the vertical plane of the fixing points that is equal to the position of the corresponding standard coupling.

4.3.2. *Drawbar couplings for hinged drawbars ($S=0$)*

The dynamic tests must be performed with a horizontal alternating force of $F_{hw} = 0,6 D$ acting in a line parallel to the ground and in the longitudinal median plane of the towing vehicle passing through the centre of the coupling pin.

4.3.3. *Drawbar couplings for use with centre-axle trailers ($S > 0$).*

4.3.3.1. Centre-axle trailer masses up to and including 3,5 tonnes

Drawbar couplings for use with centre-axle trailers up to and including a mass of 3,5 tonnes must be tested in the same way as coupling balls and towing brackets described in Section 4.1 of this Annex.

▼B

4.3.3.2. Centre-axle trailer masses exceeding 3,5 tonnes

The test loads are applied to the specimen in the horizontal and vertical directions in an asynchronous endurance test. The horizontal line of action must be parallel to the ground in the longitudinal median plane of the towing vehicle and pass through the centre of the coupling pin. The vertical line of action must be perpendicular to the ground in the longitudinal median plane of the towing vehicle and pass through the centre of the coupling pin (see Figure 28).

The fixing arrangements for the drawbar coupling and the drawbar eye on the test bed shall be those intended for its attachment to the vehicle in accordance with the manufacturer's fitting instructions.

The following test loads shall be applied to the coupling point

Test load	Mean value (kN)	Amplitude (kN)
Horizontal load	0	$\pm 0,6 D$
Vertical load	$\frac{g \cdot S}{1000}$	$\pm 0,6 V$

The test force is the geometrical sum of the vertical and the horizontal components. This can be achieved by the test bed configuration shown in Figure 28. The vertical and the horizontal components shall be sinusoidal in shape and shall be applied asynchronously, where the difference of their frequencies shall be between 1 and 3 %, so that resulting test forces in all directions are created.

4.3.4. *Static test on coupling pin locking device*

With drawbar couplings it is also necessary to test the closure and any locking devices by means of a static force of $0,25 D$ acting in the direction of opening. The test must not cause the closure to open and it must not cause any damage. A test force of $0,1 D$ is sufficient in the case of cylindrical coupling pins.

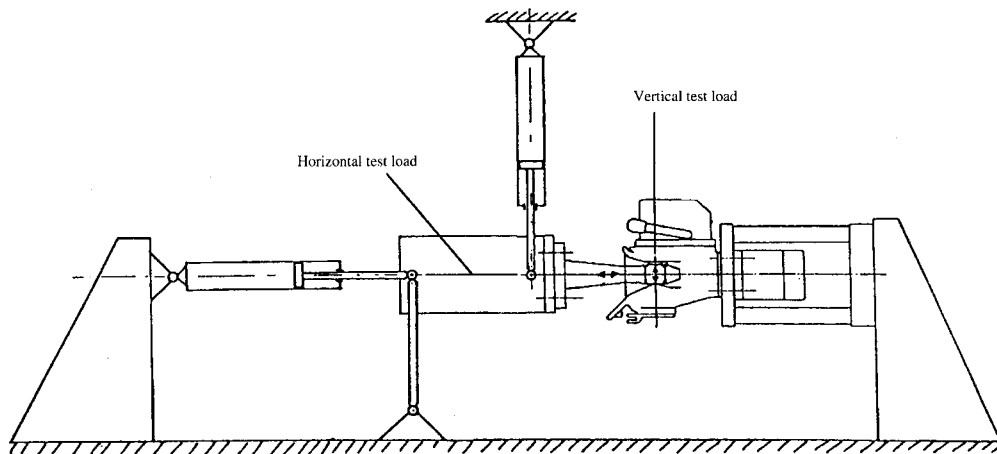


Figure 28

Test rig for drawbar couplings (specimen)

4.4. **Drawbar eyes**

4.4.1. Drawbar eyes must be subjected to the same dynamic testing as drawbar couplings. Drawbar eyes used solely for trailers having hinged drawbars allowing free vertical movement must be subjected to an alternating load as described in Section 4.3.2. Drawbar eyes also intended for use on centre-axle trailers must be tested in the same way as ball couplings (Section 4.2) for trailer masses C up to and including

▼B

3,5 tonnes and in the same way as drawbar couplings (Section 4.3.3.2) for centre-axle trailer with a mass C exceeding 3,5 tonnes.

- 4.4.2. The testing of drawbar eyes must be conducted in such a manner that the alternating load also acts on the parts used for attaching the drawbar eye to the drawbar. All flexible intermediate components must be clamped.

4.5. **Drawbars**

- 4.5.1. Drawbars shall be tested in the same way as drawbar eyes (see Section 4.4). The technical service may waive an endurance test if the simple design of a component makes a theoretical check of its strength possible. The design loads for the theoretical verification of the drawbar of centre-axle trailers with a mass C of up to and including 3,5 tonnes shall be taken from ISO 7641/1 (1983). The design loads for the theoretical verification of drawbars for centre-axle trailers having a mass C over 3,5 tonnes must be calculated as follows:

$$F_{sp} = \frac{g \times S}{1000} + V$$

where the force amplitude V is that given in Annex I, Section 2.1.19.

The permissible stresses based on the design load for trailers having a total mass C over 3,5 tonnes shall be in accordance with paragraph 5.3 of ISO 7641/1. For bent drawbars (e. g. swan neck) and for drawbars of full trailers, the horizontal force component $F_{hp} = 1,0 \times D$ shall be taken into consideration.

- 4.5.2. For drawbars for full trailers with free movement in the vertical plane, in addition to the endurance test or theoretical verification of strength, the resistance to buckling must be verified either by a theoretical calculation with a design load of 3,0 D or by a buckling test with a design load of 3,0 x D. The permissible stresses in case of calculation shall be in accordance with paragraph 5.3 of ISO 7641/1.
- 4.5.3. In the case of steered axles, the resistance to bending must be verified by theoretical calculations or by a bending test. A horizontal lateral static force must be applied in the centre of the coupling point. The magnitude of this force must be chosen so that a moment of 0,6 x $A_v \times g$ (kNm) is exerted about the front axle centre. The permissible stresses shall be in accordance with paragraph 5.3 of ISO 7641/1.

4.6. **Fifth wheel couplings**

- 4.6.1. The basic strength tests are a dynamic test and a static test (lifting test). Fifth wheel couplings intended for the positive steering of semi-trailers must be subject to an additional static test (bending test). For the purpose of the tests the fifth wheel coupling must be equipped with all the fixings needed to attach it to the vehicle. The method of mounting must be identical to that employed subsequently on the vehicle itself.

4.6.2. **Static tests**

- 4.6.2.1. Standard fifth wheel couplings designed for a steering wedge or similar device for the positive steering of semi-trailers (see Annex V, Section 7.9) must be tested for adequate strength by means of a static bending test within the working range of the steering device with the simultaneous application of fifth wheel load. The maximum permitted fifth wheel load U must be applied vertically on the coupling in its operating position by means of a rigid plate of sufficient size to cover the coupling completely.

The resultant of the applied load must pass through the centre of the horizontal joint of the fifth wheel coupling.

▼B

Simultaneously, a horizontal lateral force, representing the force needed for positive steering of the semi-trailer, must be applied to the flanks of the guide for the coupling pin. The magnitude of this force and the direction in which it acts must be chosen so that a moment of $0,75 \text{ m} \times D$ is exerted about the centre of the coupling pin. The moment should be applied by means of a force acting on a lever arm $0,5 \text{ m}$ long. Permanent (plastic) distortion up to $0,5 \%$ of all nominal dimensions is permitted. There must be no cracking.

- 4.6.2.2. A static lifting test must be performed on all fifth wheel couplings. Up to a lifting force of $F_A = g \cdot U$ there must be no major permanent bending of the coupling plate over more than $0,2 \%$ of its width.

In the case of Class G 50 standard fifth wheel couplings and comparable couplings for the same coupling pin diameter there must be no separation of the coupling pin from the coupling with a lifting force of

$$F_A = g \cdot 2,5 \cdot U.$$

The force should be applied by means of a lever bearing on the coupling plate at one end and being raised at the other end at a distance of $1,0$ to $1,5 \text{ m}$ from the centre of the coupling pin (see Figure 29).

The lever arm must be at 90° to the direction of entry of the coupling pin into the coupling. If the worst case is obvious, this worst case has to be tested. If the worst case is not easy to determine, the technical service shall decide which side to test. No second test shall be required.

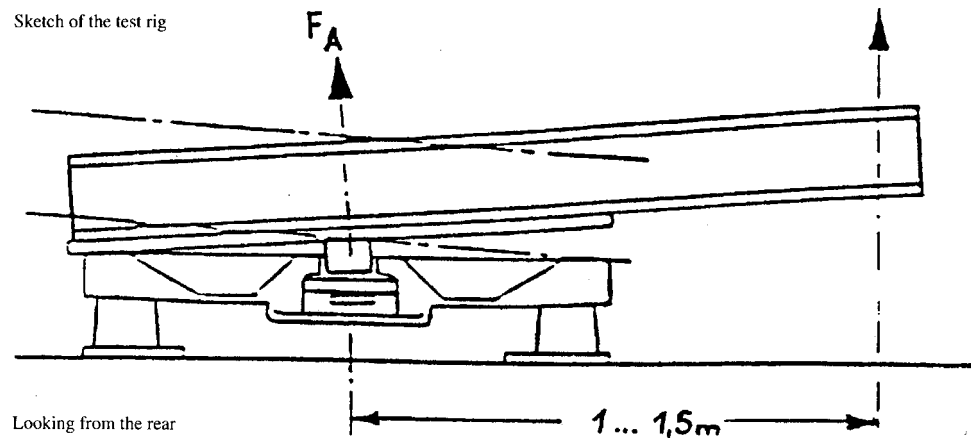


Figure 29

Lifting test on fifth wheel couplings

4.6.3. Dynamic test

The fifth wheel coupling must be subjected to alternating stress on a test rig (asynchronous dynamic test) with horizontal alternating and vertical pulsating forces acting simultaneously.

- 4.6.3.1. In the case of fifth wheel couplings not intended for the positive steering of semi-trailers the following forces must be used:

Horizontal:	$F_{hw} = \pm 0,6 \cdot D$
Vertical:	$F_{sO} = g \cdot 1,2 \cdot U$
	$F_{sU} = g \cdot 0,4 \cdot U$

These two forces must be applied in the longitudinal median plane of the vehicle with $F_{sO,U}$ passing through the centre of the joint of the coupling.

▼B

The vertical force $F_{sO,U}$ alternates between the limits

$$+ 1,2 \cdot U \text{ and } + 0,4 \cdot U$$

and the horizontal force between

$$+ 0,6 \cdot D \text{ and } - 0,6 \cdot D.$$

- 4.6.3.2. In the case of fifth wheel couplings intended for the positive steering of semi-trailers the following forces must be used:

Horizontal: $F_{hw} = \pm 0,675 \cdot D$

Vertical: $F_{sO,U}$ as in Section 4.6.3.1

The lines of action of the forces are shown in Section 4.6.3.1.

- 4.6.3.3. For the dynamic test of fifth wheel couplings, a suitable lubricating material shall be placed between the coupling plate and the trailer plate so that a maximum friction coefficient of $\mu = 0,15$ is assured.

4.7. **Mounting plates for fifth wheel couplings**

The dynamic test for fifth wheel couplings described in Section 4.6.3 and the static tests described in Section 4.6.2 must be applied appropriately to mounting plates. With mounting plates it is sufficient to perform the lifting test on one side only. The test must be based on the maximum assigned installation height for the coupling, the maximum assigned width and the minimum assigned length of the mounting plate design. It is not necessary to carry out this test if the mounting plate is narrower and/or longer and the total height lower, but otherwise identical to a design which has already undergone this test.

4.8. **Fifth wheel coupling pins of semi-trailers**

- 4.8.1. A dynamic test with alternating stress must be performed on a specimen on a test rig. The testing of the coupling pin must not be combined with the testing of the fifth wheel coupling. The test must be conducted so that the load is also applied to the fixings needed for attaching the coupling pin to the semi-trailer.

- 4.8.2. A dynamic test with a horizontal load of $F_{hw} = \pm 0,6 \cdot D$ must be applied to the coupling pin in the operating position.

The line of action of the force must pass through the centre of the smallest diameter of the cylindrical part of the coupling pin having a diameter of 50,8 mm for Class H 50 (see Annex V, Figure 16).



ANNEX VII

REQUIREMENTS RELATING TO THE TYPE-APPROVAL OF THE VEHICLE TYPE WITH REGARD TO THE OPTIONAL ATTACHMENT OF MECHANICAL COUPLING DEVICES TO THIS VEHICLE.

1. GENERAL REQUIREMENTS
 - 1.1. The vehicle manufacturer shall state which types and classes of coupling devices may be fitted to the vehicle type giving the values of D, V ⁽¹⁾, S or U (if applicable) which are based on the construction of the vehicle type in combination with the type(s) of the coupling device(s) intended to be used. The characteristics D, V, S or U of the coupling devices approved in accordance with this Directive shall be equal or greater than the characteristics given for the combination concerned.
 - 1.2. The coupling device shall be attached to the vehicle type according to the installation instructions, given by the vehicle manufacturer in agreement with the coupling manufacturer and the Technical Service. The vehicle manufacturer shall state the appropriate attachment points for the coupling device on the vehicle type and, if necessary, mounting brackets, mounting plates, etc. to be fitted on the specific vehicle type.
 - 1.3. Only automatic coupling devices which allow an automatic coupling procedure on motor vehicles shall be employed for the coupling of trailers having a maximum mass of more than 3,5 tonnes.
 - 1.4. When mounting coupling devices of Classes B, D, E and H on trailers, a value of 32 tonnes for the maximum mass T of the towing vehicle must be taken into account for D-value calculation. If the D-value of the coupling device is not sufficient for T = 32 tonnes, the resulting restriction on the mass T of the towing vehicle or the mass of the vehicle combination must be stated in the EEC vehicle type-approval certificate of the trailer (Annex IX).
2. SPECIAL REQUIREMENTS
 - 2.1. **Attachment of coupling balls and towing brackets**
 - 2.1.1. Coupling balls and towing brackets must be attached to a vehicle of category M1, category M2 below 3,5 tonnes and category N1 in a manner which conforms to the clearance and height dimensions given in Figure 30. This requirement shall not apply to off-road vehicles as defined in Annex II to Directive 92/53/EEC

⁽¹⁾ The value V shall be given for vehicles having a technically permissible maximum laden mass exceeding 3,5 tonnes only.

▼B

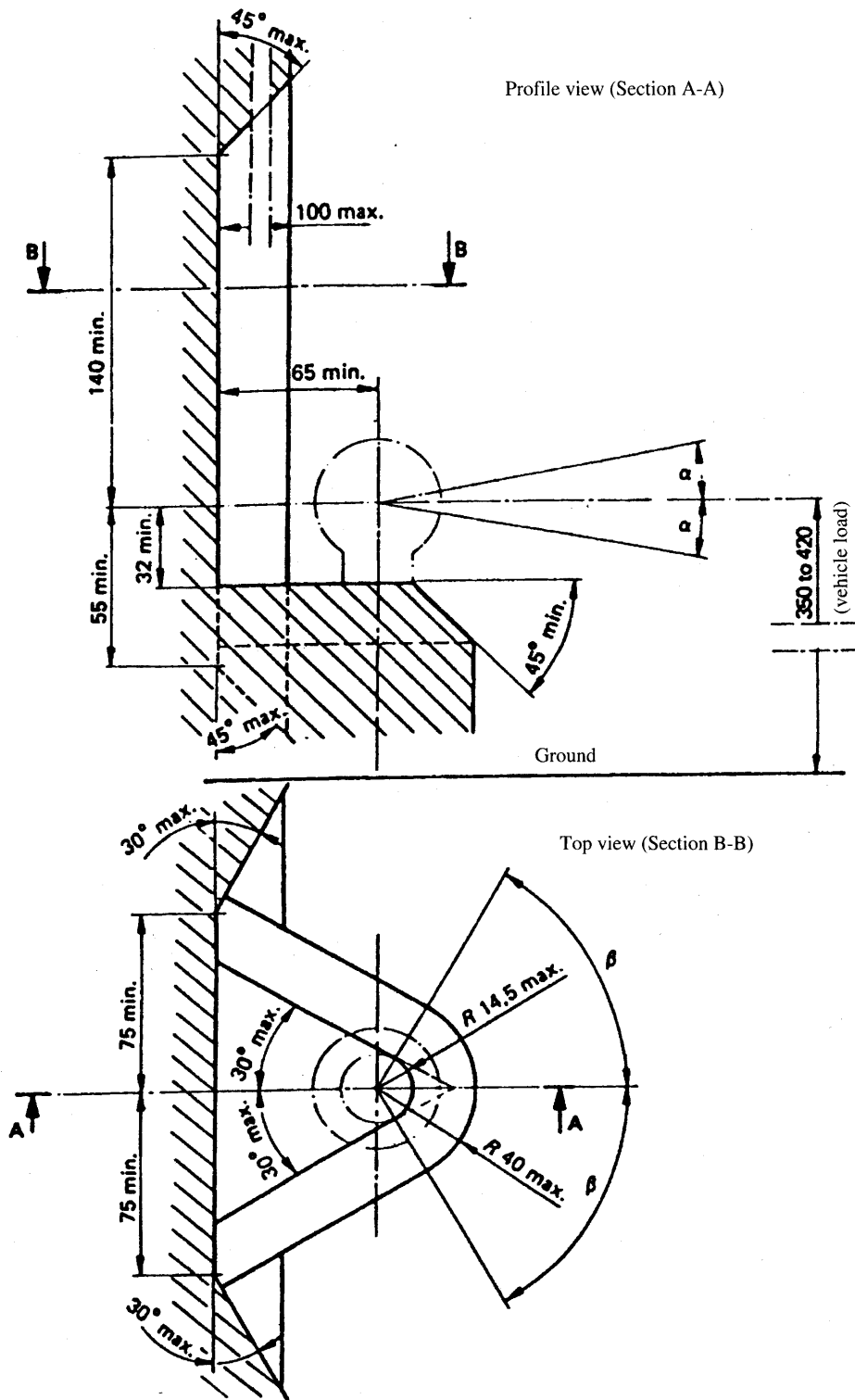


Figure 30

Clearance space for coupling balls

Any details not given must be selected appropriately.

The dimensions and angles should be checked with suitable instruments.

- 2.1.2. For coupling balls and towing brackets the vehicle manufacturer must supply mounting instructions and state whether any reinforcement of the fixing area is necessary.

▼B

- 2.1.3. It must also be possible to couple and uncouple ball couplings when the longitudinal axis of the ball coupling in relation to the centre line of the coupling ball and mounting:
- (a) is horizontally $\beta = 60^\circ$ to right or left (see Figure 30);
 - (b) is vertically $\alpha = 10^\circ$ up or down (see Figure 30);
 - (c) is axially rotated 10° to right or left.
- 2.1.4. The mounted coupling ball must not obscure the place or visibility of the rear license plate, otherwise a coupling ball which can be dismantled without special tools has to be used.
- 2.2. **Attachment of coupling heads**
- 2.2.1. Class B coupling heads are permitted for trailers of the maximum mass up to and including 3,5 tonnes. With the trailer horizontal and carrying the maximum permitted axle load, coupling heads must be attached so that the coupling point of the trailer is 430 ± 35 mm above the horizontal plane on which the wheels of the trailer stand (see Figure 31).
- In the case of caravans and goods trailers, the horizontal position is regarded as when the floor or loading surface is horizontal. In the case of trailers without such a reference surface (e.g. boat trailers or similar) the trailer manufacturer must give an appropriate reference line defining the horizontal position. The height requirement shall apply only to trailers intended to be attached to vehicles mentioned in Section 2.1.1.
- 2.2.2. It must be possible to operate the coupling heads safely within the free space of the coupling ball given in Figure 30.

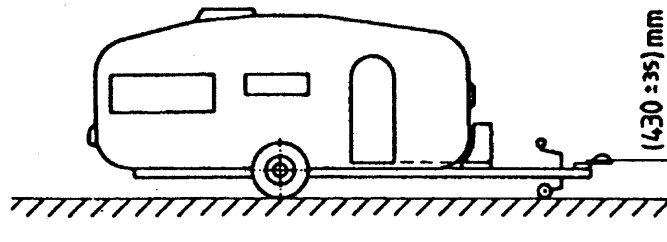


Figure 31

Mounting height of a coupling head

- 2.3. **Attachment of drawbar couplings and mounting blocks**
- 2.3.1. *Mounting dimensions for standard drawbar couplings*
- If types of standard drawbar couplings are intended to be fitted to the vehicle type, the mounting dimensions on the vehicle given in Figure 32 and Table 8 must be met.

▼B

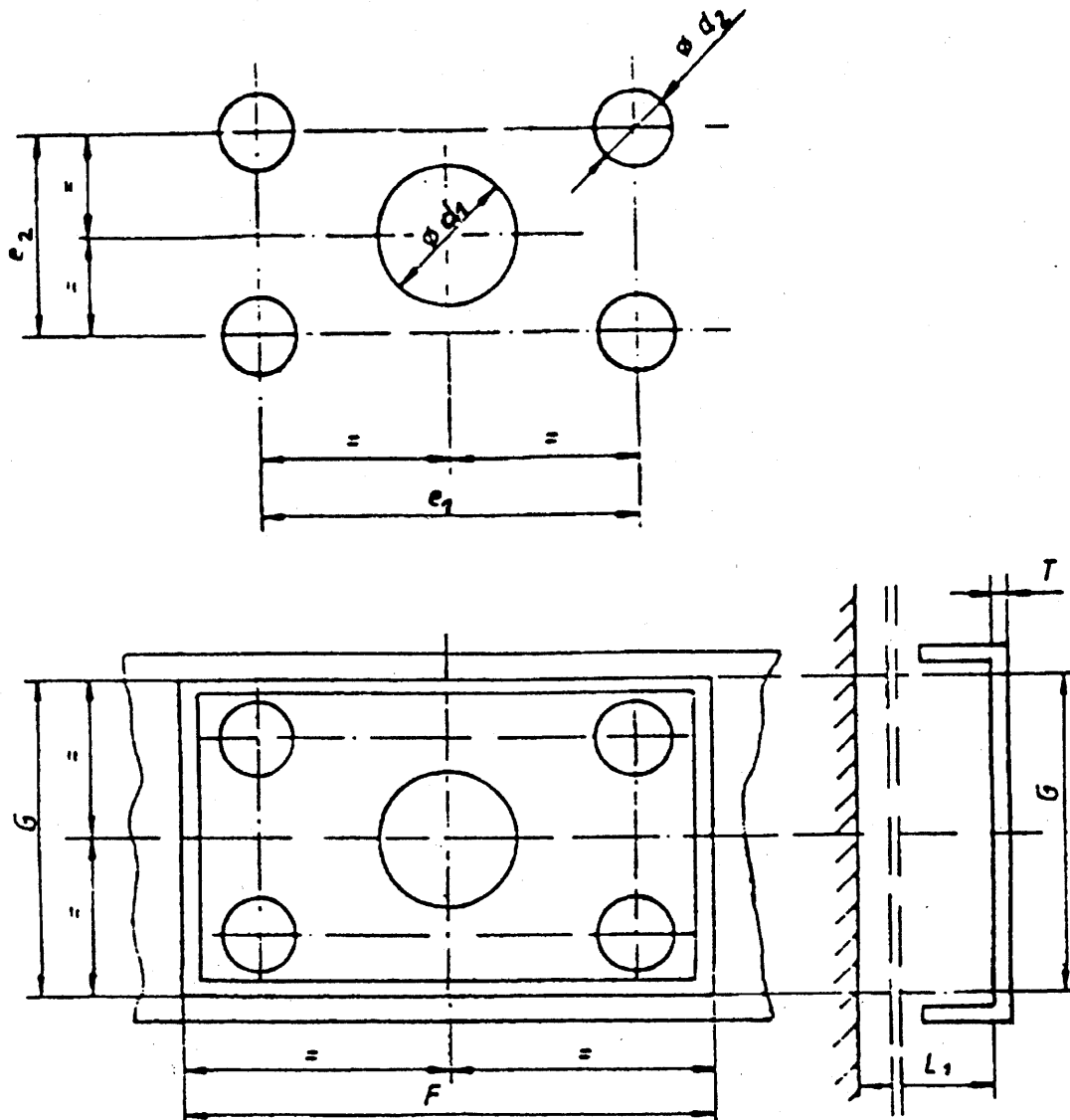


Figure 32

Mounting dimensions for standard drawbar couplings (see Table 8)

2.3.2. Need for remote controlled couplings

If one or more of the following rules regarding easy and safe operation (Section 2.3.3), accessibility (Section 2.3.4) or clearance for the hand lever (Section 2.3.5) cannot be met, a coupling with a remote control device as described in Annex V, Section 10.3 must be used.

2.3.3. Easy and safe coupling operation

Drawbar couplings must be mounted on the vehicle type in such a manner that they are easy and safe to operate.

In addition to the functions of opening (and closing, if applicable) this also includes checking the position of the indicator for the closed and secured position of the coupling pin (by sight and touch).

In the area in which the person operating the coupling must stand, there must be no points of possible danger such as sharp edges, corners, etc. inherent in the design or they must be protected so that injury is unlikely.

The way of escape from this area must not be restricted or barred on either side by any attached objects.

▼B

Any underrun protection device must not prevent the person adopting a suitable position to operate the coupling.

2.3.4. *Accessibility*

The distance between the centre of the coupling pin and the rear edge of the vehicle bodywork must not exceed 420 mm.

However, the distance of 420 mm may be exceeded if technical necessity can be demonstrated:

1. a distance of up to 650 mm for vehicles with tipping bodies or rear-mounted equipment;
2. a distance of up to 1 320 mm if the unobstructed height is at least 1 150 mm;
3. car transporters with at least two loading levels when the trailer vehicle is not separated from the towing vehicle in normal transport operation,

provided easy and safe actuation of the drawbar coupling is not adversely affected.

2.3.5. *Clearance for the hand lever*

In order to permit safe operation of drawbar couplings there must be adequate free space around the hand lever.

The clearance illustrated in figure 33 is regarded as sufficient. If different types of standard drawbar couplings are intended to be fitted to the vehicle type, the clearance must be such that the conditions are also satisfied for the largest size of coupling of the appropriate class given in Annex V, Section 3.

The dimensions are also applicable as appropriate for drawbar couplings having hand levers pointing downwards or of a different design.

The clearance must also be maintained within the specified minimum angle for coupling-up and uncoupling given in Annex V, Section 3.6.

2.3.6. *Clearance for free movement of drawbar coupling*

The drawbar coupling attached to the vehicle must have a minimum clear gap of 10 mm from every other part of the vehicle taking into account all possible geometrical positions in accordance with Annex V.

If different types of standard drawbar couplings are intended to be fitted to the vehicle type, the clearance must be such that the conditions are also satisfied for the largest possible coupling of the appropriate class stated in Annex V, Section 3.

2.3.7. *Admissibility of drawbar couplings with a special joint for vertical rotation (see Figure 6).*

Couplings having a cylindrical pin and which achieve vertical rotation for the coupled drawbar eye by means of a special joint will only be permitted in cases when technical necessity can be demonstrated. This may be the case, for example, on rear tippers when the coupling head must be hinged, or with the couplings of heavy transporters when for strength reasons the use of a cylindrical coupling pin is necessary.

TABLE 8

Mounting dimensions for standard drawbar couplings

	C 50-1	C 50-2	C 50-3	C 50-4	C 50-5	C 50-6	Remarks
e_1	83		120	140	160		$\pm 0,5$
e_2	56		55	80	100		$\pm 0,5$
d_1	—	54	75	85	95		+ 1/-0,5
d_1	10,5		15	17	21		H13
T	—	15	20	35	35	35	maximum
F	120		165	190	210		minimum
G	95		100	130	150		minimum
L_1	—	200	300		400		minimum

▼B

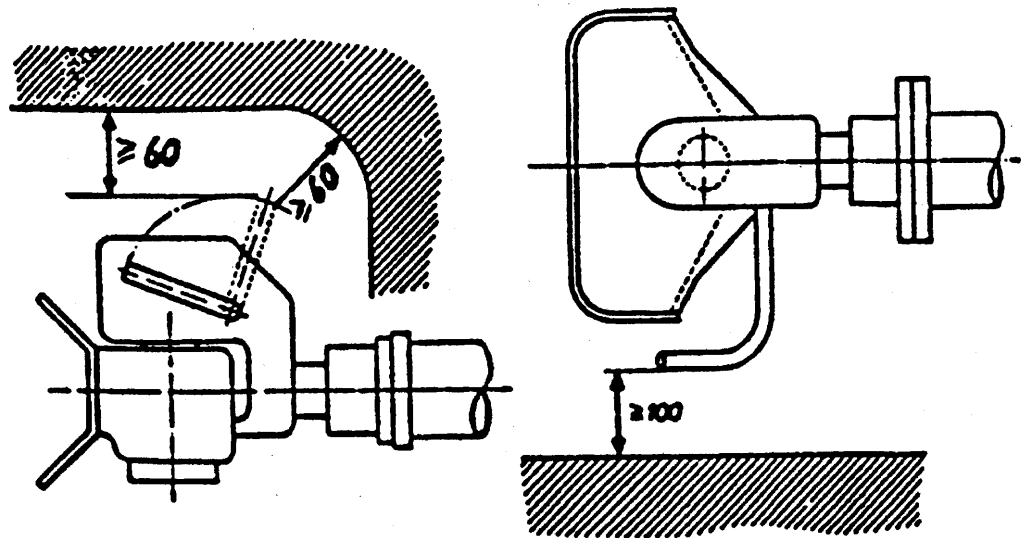


Figure 33

Hand lever clearance

- 2.4. **Attachment of drawbar eyes and drawbars on trailers.**
- 2.4.1. Drawbars for centre-axle trailers must have a support device adjustable in height if the vertical bearing load at the drawbar eye on the trailer type exceeds 50 kg, when the trailer is uniformly loaded to its technically permissible maximum mass.
- 2.4.2. When attaching drawbar eyes and drawbars to centre-axle trailers with a maximum mass C of more than 3,5 tonnes and more than one axle, they must be equipped with a device for axle load sharing.
- 2.5. **Attachment of fifth wheel couplings, mounting plates and coupling pins on vehicles.**
- 2.5.1. Class G 50 fifth wheel couplings must not be mounted directly on the vehicle frame unless permitted by the vehicle manufacturer. They must be fixed to the frame by means of the mounting plate, the installation instructions provided by the vehicle manufacturer or coupling manufacturer must be followed.
- 2.5.2. Semi-trailers must be equipped with landing gear or any other equipment which allows uncoupling and parking of the semi-trailer. If semi-trailers are equipped so that the connection of the coupling devices, the electrical systems and braking systems can be effected automatically, the trailer must have landing gear which retracts from the ground automatically after the semi-trailer has been coupled up.
- 2.5.3. The fixing of the fifth wheel coupling pin in the mounting plate on the semi-trailer must be as instructed by the vehicle manufacturer or manufacturer of the fifth wheel coupling.
- 2.5.4. If a semi-trailer is equipped with a steering wedge it must meet the requirements as described in Annex V, Sections 7.9.1 and 7.9.2.



ANNEX VIII

INFORMATION DOCUMENT No

pursuant to Annex I to Council Directive 70/156/EEC relating to EEC type-approval of a vehicle with respect to the fitting of mechanical coupling devices (94/20/EC)

The following information, if applicable, must be supplied in triplicate and include a list of contents. Any drawings must be supplied in appropriate scale and in sufficient detail on size A4 or on a folder of A4 format. Photographs, if any, must show sufficient detail.

If the systems, components or separate technical units have electronic controls, information concerning their performance must be supplied.

0. GENERAL

- 0.1. Make (trade name of manufacturer):
-
- 0.2. Type and commercial description(s):
- 0.3. Means of identification of type, if marked on the vehicle ^(b):
-
- 0.3.1. Location of that marking:
- 0.4. Category of vehicle (see Annex II to Directive 70/156/EEC):
- 0.5. Name and address of manufacturer:
-
- 0.8. Address(es) of assembly plant(s):
-

1. GENERAL CONSTRUCTION CHARACTERISTICS OF THE VEHICLE

- 1.1. Photographs and/or drawings of a representative vehicle:
- 1.4. Chassis (if any) (overall drawing):
- 1.5. Material used for the side-members ^(d):

2. MASSES AND DIMENSIONS ^(e) (in kg and mm) (refer to drawing where applicable)

2.2. In the case of tractive units

- 2.2.1. Fifth wheel lead (maximum and minimum) ^(g):
- 2.2.2. Maximum height of the fifth wheel (standardized) ^(h):
- 2.4.2. For chassis with bodywork
- 2.4.2.5. Rear overhang ⁽ⁿ⁾:

The item numbers and footnotes used in this information document correspond to those set out in Annex I to Directive 70/156/EEC, as last amended by Directive 92/53/EEC.
Items not relevant for the purpose of this Directive are omitted.

▼B

- 2.6. Mass of the vehicle with bodywork in running order, or mass of the chassis with cab if the manufacturer does not fit the bodywork (including coolant, oils, fuel, tools, spare wheel and driver) ^(a) (maximum and minimum for each version):

- 2.6.1. Distribution of this mass among the axles and, in the case of a semi-trailer or centre-axle trailer, load on the coupling point (maximum and minimum for each version):

- 2.8. Technically permissible maximum laden mass stated by the manufacturer (maximum and minimum for each version) ^(b):

- 2.8.1. Distribution of this mass among the axles and, in the case of a semi-trailer or centre-axle trailer, load on the coupling point (maximum and minimum for each version):

- 2.9. Technically permissible maximum mass on each axle and, in the case of a semi-trailer or centre-axle trailer, load on the coupling point stated by the manufacturer:

- 2.10. **Maximum mass of trailer which may be coupled:**
- 2.10.1. Full trailer:
- 2.10.2. Semi-trailer:
- 2.10.3. Centre-axle trailer:
- 2.10.3.1. Indicate the maximum ratio of the coupling overhang ^(p) to the wheelbase:
- 2.10.3.2. Maximum V-value: (kN) ⁽¹⁾
- 2.10.4. Maximum mass of the combination:
- 2.10.6. Maximum mass of unbraked trailer:
- 2.11. **Maximum vertical load**
- 2.11.1. On the vehicle's coupling point for a trailer:
- 2.11.2. On the drawbar of a trailer:
9. **BODYWORK**
- 9.1. Type of bodywork:
- 9.2. Materials used and methods of construction:
-
11. **CONNECTIONS BETWEEN DRAWING VEHICLES AND TRAILERS AND SEMI-TRAILERS**
- 11.1. Class and type of the coupling device(s) ⁽²⁾:
-
- 11.2. Maximum D-value: (kN) ⁽²⁾

⁽¹⁾ If applicable.⁽²⁾ For non-standard couplings the type-approval number(s) must also be indicated.

▼B

11.3. Instructions for attachment of the coupling type to the vehicle and photographs or drawings of the fixing points at the vehicle given by the manufacturer; additional information, if the use of the coupling type is restricted to special types of vehicles:

.....
.....

11.4. Information on the fitting of special towing brackets or mounting plates ⁽¹⁾:

.....
.....

Date, File

⁽¹⁾ For non-standard couplings the type-approval number(s) must also be indicated.

▼B

ANNEX IX

MODEL

(maximum format: A4 (210 × 297 mm))

EEC TYPE-APPROVAL CERTIFICATE

Stamp of
Administration

Communication concerning the

- type-approval ⁽¹⁾,
- extension of type-approval ⁽¹⁾,
- refusal of type-approval ⁽¹⁾,
- withdrawal of type approval ⁽¹⁾,

of a type of a vehicle with regard to Directive 94/20/EC.

Type-approval number:

Reason for extension:

Section I

- 0. GENERAL
- 0.1. Make (trade name of manufacturer):
- 0.2. Type and general commercial description(s):
.....
- 0.3. Means of identification of type if marked on the vehicle ⁽²⁾:
- 0.3.1. Location of that marking:
- 0.4. Category of vehicle ⁽³⁾:
- 0.5. Name and address of manufacturer:
.....
- 0.8. Name(s) and address(es) of assembly plants:
.....

Section II

- 1. Additional information (where applicable): see Appendix I
- 2. Technical service responsible for carrying out the tests:
.....
- 3. Date of test report:

⁽¹⁾ Delete where not applicable.

⁽²⁾ If the means of identification of type contains characters not relevant to describe the vehicle, component or separate technical unit types covered by this type-approval certificate such characters shall be represented in the documentation by the symbol '?' (e.g. ABC??123??).

⁽³⁾ As defined in Annex IIA to Directive 92/53/EEC.

▼B

4. Number of test report:
5. Remarks (if any): see Appendix I
6. Place:
7. Date:
8. Signature:
9. The index to the information package lodged with the competent authority that has granted type approval, which may be obtained on request, is attached.

▼B

Appendix I

to EEC type-approval certificate No

concerning the type-approval of a vehicle with regard to Directive 94/20/EC

1. **Additional information**
 - 1.1. Vehicle construction, bodywork/chassis:
 - 1.1.1. Materials used:
.....
 - 1.2. Class and type of the coupling device(s) (1):
 - 1.3. Use of towing brackets or mounting plates, attachment instructions of the coupling type:
.....
 - 1.4. EEC vehicle type-approval is extended to the following type(s) of coupling device and class(es):
.....
 - 1.5. Technically permissible maximum laden mass stated by the manufacturer (maximum and minimum for each version): tonnes
 - 1.6. Maximum mass of trailer which may be coupled
 - 1.6.1. Full trailer: tonnes (2)
 - 1.6.2. Semi-trailer: tonnes (2)
 - 1.6.3. Centre-axle trailer: tonnes (2)
 - 1.6.3.1. Maximum V-value: kN
 - 1.6.4. Maximum mass of the combination: tonnes
 - 1.7. Maximum vertical load S or fifth wheel load U (3) of the vehicle type fitted with the coupling device: kg/tonne
 - 1.8. Maximum D-value: kN:
 - 1.9. Maximum mass of the towing vehicle (T) or maximum mass of the vehicle combination (if T is less than 32 tonnes)
5. **Remarks (4):**
.....
.....
.....
.....

(1) For non-standard couplings the type-approval number(s) must also be indicated.

(2) If applicable.

(3) Delete where not applicable.

(4) Including information as to whether fifth wheel couplings are unsuitable for positive steering.