

**Status:** This is the original version (as it was originally made). This item of legislation is currently only available in its original format.

SCHEDULE

Regulations 2, 8, 16, 18 and 20

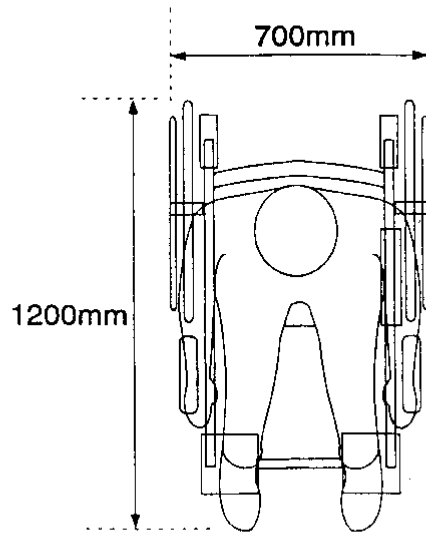
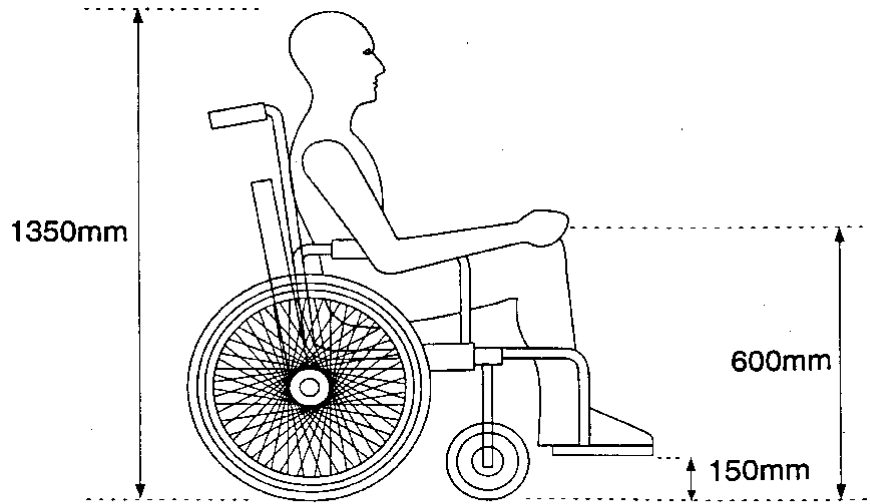


Diagram A - Reference Wheelchair