

**Status:** This is the original version (as it was originally made). This item of legislation is currently only available in its original format.

## SCHEDULE 12

Regulation 11(1)

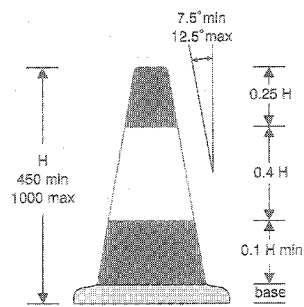
**Status:** This is the original version (as it was originally made). This item of legislation is currently only available in its original format.

## PART II

### ROAD WORKS DELINEATORS AND BARRIERS

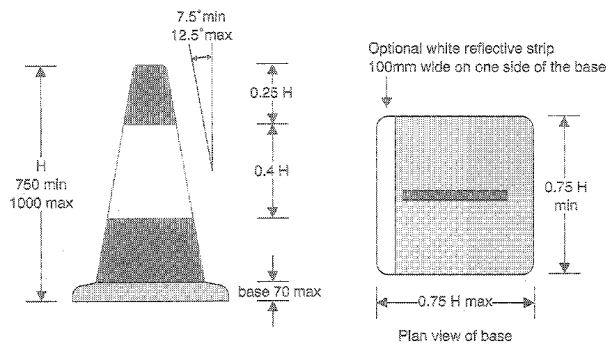
#### SCHEDULE 12 PART II ROAD WORKS DELINEATORS AND BARRIERS

Regulation 11(1)



Item	
1	Regulations: 44(1), 44(2)
2	Directions: 31, 37
3	Diagrams: None
4	Permitted variants: None
5	Illumination requirements: Schedule 17, item 16

7101  
Edge of a route for vehicular traffic through or past a temporary obstruction (Traffic cone)

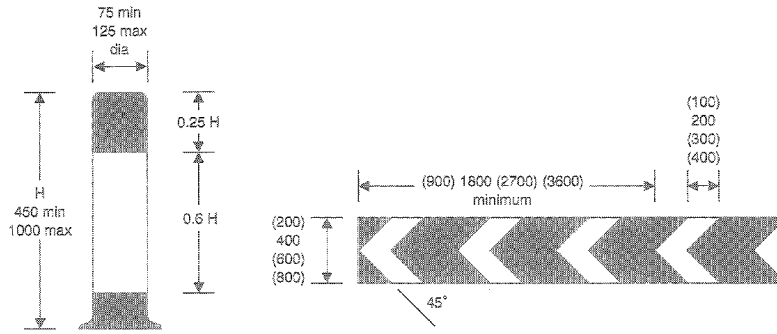


7102  
Edge of a route for vehicular traffic through or past a temporary obstruction on a motorway or dual carriageway road (Flat traffic delineator)

Item	
1	Regulations: 11(2), 44(3)
2	Directions: 31, 37
3	Diagrams: None
4	Permitted variants: None
5	Illumination requirements: Schedule 17, item 18

**Status:** This is the original version (as it was originally made). This item of legislation is currently only available in its original format.

SCHEDULE 12 PART II ROAD WORKS DELINEATORS AND BARRIERS (contd.)



7103

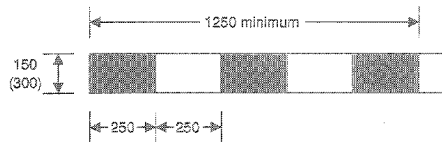
Line of division of traffic flows on one carriageway, or to indicate the edge of a route for vehicular traffic through or past a temporary obstruction, or to mark a boundary between two carriageways of a dual carriageway which may not be crossed except for fire brigade, ambulance or police purposes (Traffic cylinder)

Item	
1	Regulations: 44(4)
2	Directions: 31, 37
3	Diagrams: None
4	Permitted variants: None
5	Illumination requirements: Schedule 17, item 16

7104

Sharp deviation of route to the left at or near road works or other temporary obstructions

Item	
1	Regulations: None
2	Directions: 31, 36, 37
3	Diagrams: None
4	Permitted variants: Schedule 16, item 13
5	Illumination requirements: Schedule 17, item 4



7105

Position of barrier to mark length of road closed to traffic or to guide traffic past an obstruction

Item	
1	Regulations: 42
2	Directions: 31, 36, 37
3	Diagrams: None
4	Permitted variants: None
5	Illumination requirements: Schedule 17, item 4