

This document is meant purely as a documentation tool and the institutions do not assume any liability for its contents

► **B**

**COUNCIL REGULATION (EC) No 51/2006
of 22 December 2005**

fixing for 2006 the fishing opportunities and associated conditions for certain fish stocks and groups of fish stocks, applicable in Community waters and, for Community vessels, in waters where catch limitations are required

(OJ L 16, 20.1.2006, p. 1)

Amended by:

		Official Journal		
		No	page	date
► <u>M1</u>	Commission Regulation (EC) No 898/2006 of 19 June 2006	L 167	16	20.6.2006
► <u>M2</u>	Council Regulation (EC) No 941/2006 of 1 June 2006	L 173	1	27.6.2006
► <u>M3</u>	Addendum to Council Regulation (EC) No 51/2006 fixing for 2006 the fishing opportunities and associated conditions for certain fish stocks and groups of fish stocks, applicable in Community waters and, for Community vessels, in waters where catch limitations are required	L 16	200	20.1.2006
► <u>M4</u>	Commission Regulation (EC) No 1259/2006 of 11 August 2006	L 229	3	23.8.2006
► <u>M5</u>	Commission Regulation (EC) No 1262/2006 of 23 August 2006	L 230	4	24.8.2006
► <u>M6</u>	Council Regulation (EC) No 1591/2006 of 24 October 2006	L 296	1	26.10.2006
► <u>M7</u>	Commission Regulation (EC) No 1642/2006 of 7 November 2006	L 308	5	8.11.2006
► <u>M8</u>	Council Regulation (EC) No 1782/2006 of 20 November 2006	L 345	10	8.12.2006
► <u>M9</u>	Commission Regulation (EC) No 2017/2006 of 20 December 2006	L 384	44	29.12.2006

Corrected by:

- **C1** Corrigendum, OJ L 318, 17.11.2006, p. 44 (51/2006)



COUNCIL REGULATION (EC) No 51/2006
of 22 December 2005

fixing for 2006 the fishing opportunities and associated conditions for certain fish stocks and groups of fish stocks, applicable in Community waters and, for Community vessels, in waters where catch limitations are required

THE COUNCIL OF THE EUROPEAN UNION,

Having regard to the Treaty establishing the European Community,

Having regard to Council Regulation (EC) No 2371/2002 of 20 December 2002 on the conservation and sustainable exploitation of fisheries resources under the Common Fisheries Policy ⁽¹⁾, and in particular Article 20 thereof,

Having regard to Council Regulation (EC) No 847/96 of 6 May 1996 introducing additional conditions for year-to-year management of TACs and quotas ⁽²⁾, and in particular Article 2 thereof,

Having regard to Council Regulation (EC) No 423/2004 of 26 February 2004 establishing measures for the recovery of cod stocks ⁽³⁾, and in particular Articles 6 and 8 thereof,

Having regard to Council Regulation (EC) No 811/2004 of 21 April 2004 establishing measures for the recovery of the Northern hake stock ⁽⁴⁾, and in particular Article 5 thereof,

Having regard to the proposal from the Commission,

Whereas:

- (1) Article 4 of Regulation (EC) No 2371/2002 requires the Council to adopt the measures necessary to ensure access to waters and resources and the sustainable pursuit of fishing activities taking account of available scientific advice and, in particular, the report prepared by the Scientific, Technical and Economic Committee for Fisheries (STECF).
- (2) Under Article 20 of Regulation (EC) No 2371/2002, it is incumbent upon the Council, to establish the total allowable catches (TAC) by fishery or group of fisheries. Fishing opportunities should be allocated to Member States and third countries in accordance with the criteria laid down in Article 20 of that Regulation.
- (3) In order to ensure effective management of the TACs and quotas, the specific conditions under which fishing operations occur should be established.
- (4) The principles and certain procedures for fishery management need to be laid down at Community level, so that Member States can ensure the management of the vessels flying their flag.
- (5) Article 3 of Regulation (EC) No 2371/2002 lays down definitions of relevance for the allocation of fishing opportunities.
- (6) In accordance with Article 2 of Regulation (EC) No 847/96 the stocks that are subject to the various measures referred to therein must be identified.

⁽¹⁾ OJ L 358, 31.12.2002, p. 59

⁽²⁾ OJ L 115, 9.5.1996, p. 3

⁽³⁾ OJ L 70, 9.3.2004, p. 8

⁽⁴⁾ OJ L 150, 30.4.2004, p. 1

▼B

- (7) In accordance with the procedure provided for in the agreements or protocols on fisheries relations, the Community has held consultations on fishing rights with Norway ⁽¹⁾, the Faroe Islands ⁽²⁾ and Greenland ⁽³⁾
- (8) The Community is a contracting party to several regional fisheries organisations. Those fisheries organisations have recommended the setting of catch limitations and other conservation rules for certain species. Such recommendations should therefore be implemented by the Community.
- (9) At its Annual Meeting in June 2005, the Inter-American Tropical Tuna Commission (IATTC) adopted catch limitations for yellowfin tuna, bigeye tuna and skipjack tuna, and technical measures as regards the treatment of by-catches. Although the Community is not a member of the IATTC, it is necessary to implement those measures to ensure sustainable management of the resource under the jurisdiction of that Organisation.
- (10) At its Annual Meeting in 2005, the International Commission for the Conservation of Atlantic Tunas (ICCAT) adopted tables indicating the under-utilisation and over-utilisation of the fishing possibilities of the ICCAT contracting parties. In that context, the ICCAT adopted a Decision observing that during the year 2004, the Community had under-exploited its quota for several stocks.
- (11) In order to respect the adjustments to the Community quotas established by the ICCAT, it is necessary for the distribution of the fishing opportunities arising from the under-utilisation to be carried out on the basis of the respective contribution of each Member State towards the under-utilisation without modifying the distribution key established in this Regulation concerning the annual allocation of TACs.
- (12) Fishing opportunities should be used in accordance with the Community legislation on the subject, and in particular with Commission Regulation (EEC) No 1381/87 of 20 May 1987 establishing detailed rules concerning the marking and documentation of fishing vessels ⁽⁴⁾, Commission Regulation (EEC) No 2807/83 of 22 September 1983 laying down detailed rules for recording information on Member States' catches of fish ⁽⁵⁾, Council Regulation (EEC) No 2847/93 of 12 October 1993 establishing a control system applicable to the common fisheries policy ⁽⁶⁾, Council Regulation (EC) No 1954/2003 of 4 November 2003 on the management of the fishing effort relating to certain Community fishing areas and resources ⁽⁷⁾, Council Regulation (EC) No 1626/94 of 27 June 1994 laying down certain technical measures for the conservation of fishery resources in the Mediterranean ⁽⁸⁾, Council Regulation (EC) No 1627/94 of 27 June 1994 laying down general provisions concerning special fishing permits ⁽⁹⁾, Council Regulation (EC) No 601/2004 of 22 March 2004 laying down certain control measures applicable to fishing activities in the area covered by the Convention on the conservation of Antarctic marine living resources ⁽¹⁰⁾, Council Regulation (EC) No 850/98 of 30 March

⁽¹⁾ OJ L 226, 29.8.1980, p. 48.

⁽²⁾ OJ L 226, 29.8.1980, p. 12.

⁽³⁾ OJ L 29, 1.2.1985, p. 9.

⁽⁴⁾ OJ L 132, 21.5.1987, p. 9.

⁽⁵⁾ OJ L 276, 10.10.1983 p. 1. Regulation as last amended by Regulation (EC) No 1965/2001 (OJ L 268, 9.10.2001, p. 23).

⁽⁶⁾ OJ L 261, 20.10.1993, p. 1. Regulation as last amended by Regulation (EC) No 1954/2003 (OJ L 289, 7.11.2003, p. 1).

⁽⁷⁾ OJ L 289, 7.11.2001, p. 1.

⁽⁸⁾ OJ L 171, 6.7.1994, p. 1. Regulation as last amended by Regulation (EC) No 813/2004 (OJ L 150, 30.4.2004, p. 32).

⁽⁹⁾ OJ L 171, 6.7.1994, p. 7.

⁽¹⁰⁾ OJ L 97, 1.4.2004, p. 16.

▼B

1998 for the conservation of fishery resources through technical measures for the protection of juveniles of marine organisms ⁽¹⁾, Council Regulation (EEC) No 3880/91 of 17 December 1991 on the submission of nominal catch statistics by Member States in the north-east Atlantic ⁽²⁾, Council Regulation (EC) No 1434/98 of 29 June 1998 specifying conditions under which herring may be landed for industrial purposes other than direct human consumption ⁽³⁾, Council Regulation (EC) No 423/2004 of 26 February 2004 establishing measures for the recovery of cod stocks ⁽⁴⁾, Commission Regulation (EC) No 2244/2003 of 18 December 2003 laying down detailed provisions regarding satellite-based Vessel Monitoring Systems ⁽⁵⁾, Council Regulation (EEC) No 2930/86 of 22 September 1986 defining characteristics for fishing vessels ⁽⁶⁾, Council Regulation (EC) No 973/2001 of 14 May 2001 laying down certain technical measures for the conservation of certain stocks of highly migratory species ⁽⁷⁾, Council Regulation (EC) No 2347/2002 of 16 December 2002 establishing specific access requirements and associated conditions applicable to fishing for deep-sea stocks ⁽⁸⁾ and Council Regulation (EC) No 2270/2004 of 22 December 2004 fixing for 2005 and 2006 the fishing opportunities for Community fishing vessels for certain deep-sea fish stocks ⁽⁹⁾.

- (13) It is necessary, following the advice from the International Council for the Exploration of the Sea (ICES), to apply a temporary system to manage the catch limits of anchovy in Subarea VIII.
- (14) It is necessary, following the advice from the ICES, to apply a temporary system to manage the fishing effort on sandeel in ICES Subarea IV and Division IIIa North.
- (15) Having regard to the scientific knowledge as to the biological status of the blue whiting stock, and following the negotiations between the Coastal States on the management of that stock, it is necessary to modify the management areas while taking into account the specific characteristics of the fisheries concerned.
- (16) As a transitional measure in the light of the most recent scientific advice from the ICES, the fishing effort on certain deep-sea species should be further reduced.
- (17) For the adjustment of fishing effort limitations on cod as laid down in Regulation (EC) No 423/2004 alternative arrangements are proposed in order to manage fishing effort consistently with the TAC, as laid down in Article 8(3) of the said Regulation.
- (18) Scientific advice indicates that the stock of North Sea plaice is not fished sustainably and that levels of discards are very high. Scientific advice and advice from the North Sea Regional Advisory Council indicates that it is appropriate to adjust the fishing opportunities in terms of fishing effort of vessels targeting plaice.

⁽¹⁾ OJ L 125, 27.4.1998, p. 1. Regulation as last amended by Regulation (EC) No 602/2004 (OJ L 97, 1.4.2004, p. 30).

⁽²⁾ OJ L 365, 31.12.1998, p. 1. Regulation as last amended by Regulation (EC) No 448/2005 (OJ L 74, 19.3.2005, p. 5).

⁽³⁾ OJ L 191, 7.7.1998, p. 10.

⁽⁴⁾ OJ L 70, 9.3.2004, p. 8.

⁽⁵⁾ OJ L 333, 20.12.2003, p. 17.

⁽⁶⁾ OJ L 274, 25.9.1986, p. 1. Regulation as amended by Regulation (EC) No 3259/94 (OJ L 339, 29.12.1994, p. 11).

⁽⁷⁾ OJ L 137, 19.5.2001 p. 1. Regulation as amended by Regulation (EC) No 831/2004 (OJ L 127, 29.4.2004, p. 33).

⁽⁸⁾ OJ L 351, 28.12.2002, p. 6.

⁽⁹⁾ OJ L 396, 31.12.2004, p. 4. Regulation as last amended by Regulation (EC) No 860/2005 (OJ L 134, 8.6.2005, p. 1).

▼B

- (19) For the stocks of sole in the Western channel, it is necessary to apply a provisional effort management scheme. For the cod stocks in the Kattegat, in the North Sea, the Skagerrak and the Western channel, in the Irish Sea and in the west of Scotland, and the stocks of hake and of Norway lobster in ICES Divisions VIIIc and IXa, the effort management scheme needs to be adapted.
- (20) Article 2 of Regulation (EC) No 1434/98 does not ensure that the catches of herring are limited to the catch limits fixed for the species. It is therefore necessary to introduce transitional measures ensuring an appropriate monitoring and counting of herring in unsorted landings.
- (21) Current fishing practices when fishing with gillnets in deep waters west of Scotland and Ireland involve the use of gillnets of excessive lengths, leading to excessive soak times and high discard rates. Nets lost or deliberately discarded may continue to fish for a number of years without being retrieved. Scientific investigations have demonstrated that this fishing practice constitutes a serious threat to deep-sea species, and transitional measures to prohibit the fishery should be implemented until more permanent measures are adopted.
- (22) In order to ensure sustainable exploitation of the hake stocks and to reduce discards, the latest developments on selective gears should be implemented as transitional measures in Subdivision VIII a, b, d.
- (23) At its Annual Meeting in 2004, the North East Atlantic Fisheries Commission (NEAFC) adopted a recommendation to restrict fishing within certain areas in order to protect vulnerable deep-sea habitats. This recommendation should be implemented by the Community.
- (24) In order to contribute to the conservation of octopus and in particular to protect the juveniles, it is necessary to establish, in 2006, a minimum size of octopus from the maritime waters under the sovereignty or jurisdiction of third countries and situated in the CECAF region pending the adoption of a regulation amending Regulation (EC) No 850/98.
- (25) In November 2005 the NEAFC recommended placing a number of vessels on the list of vessels that have been confirmed as having engaged in illegal, unreported and unregulated fisheries. Implementation of the recommendations in the Community legal order should be ensured.
- (26) At the Annual Meeting of the General Fisheries Commission of the Mediterranean (GFCM) in 2005, the GFCM adopted a recommendation on the management of certain fisheries exploiting deep-sea species and a recommendation concerning the establishment of a GFCM record of vessels of over 15 metres authorised to operate in the GFCM area. As the Community is a contracting party to the GFCM, these recommendations are binding on the Community and should therefore be implemented.
- (27) In order to contribute to the conservation of fish stocks, certain supplementary measures on control and technical conditions of fishing should be implemented in 2006.
- (28) Certain provisions should be introduced on the use of VMS data in order to provide for greater efficiency and effectiveness in the monitoring, control and surveillance of effort management.
- (29) In order to ensure that catches of blue whiting by third-country vessels in Community waters are correctly accounted for, it is necessary to strengthen the control provisions for such vessels.

▼B

- (30) Under Article 20 of Regulation (EC) No 2371/2002 it is incumbent upon the Council to decide on the conditions associated with the limits on catches and/or fishing effort limits. Scientific advice indicates that substantial catches in excess of agreed TACs result in the sustainability of fishing operations being prejudiced. It is therefore appropriate to introduce associated conditions that will result in improved implementation of the agreed fishing possibilities.
- (31) At its Annual Meeting in 2004, the ICCAT adopted a number of technical measures for certain stocks of highly migratory species in the Atlantic and the Mediterranean, specifying inter alia a new minimum size for bluefin tuna, restrictions on fishing within certain areas and time periods in order to protect bigeye tuna, measures concerning sport and recreational fishing activities in the Mediterranean Sea and the establishment of a sampling programme for the estimation of the size of the caged bluefin tuna. In order to contribute to the conservation of fish stocks it is necessary to implement these measures in 2006 pending the adoption of a regulation amending Regulation (EC) No 973/2001.
- (32) At its Annual Meeting in 2005, the South East Atlantic Fisheries Organisation (SEAFO) adopted a measure to place scientific observers on board all vessels operating in the Convention Area and targeting species not subject to the conservation and management regimes of other competent regional fisheries organisations from 1 January 2006. This measure is binding on the Community and should therefore be implemented.
- (33) At its 27th Annual Meeting of 19 to 23 September 2005, the Northwest Atlantic Fisheries Organisation (NAFO) adopted a number of technical and control measures. It is necessary to implement these measures.
- (34) In order to comply with international obligations assumed by the Community as a Contracting Party to the Convention for the Conservation of Antarctic Marine Living Resources (CCAMLR), including the obligation to apply the measures adopted by the CCAMLR Commission, the TACs adopted by that Commission for the 2005-2006 season and the corresponding season limit dates should be applied.
- (35) At its XXIVth annual meeting in 2005, the CCAMLR adopted relevant catch limits for the stocks open to established fisheries by any CCAMLR Member. CCAMLR also approved the participation of Community vessels in exploratory fisheries for *Dissostichus* spp. in Subareas FAO 88.1 and 88.2 as well as in Divisions 58.4.1, 58.4.2, 58.4.3a) and 58.4.3b) and made the relevant fishing activities subject to catch and by-catch limits, as well as to certain specific technical measures. Those limits and technical measures should also be applied.
- (36) In order to ensure the livelihood of Community fishermen, and in order to avoid endangering resources and any possible difficulty due to the lapsing of Council Regulation (EC) No 27/2005 of 22 December 2004 fixing for 2005 the fishing opportunities and associated conditions for certain fish stocks and groups of fish stocks, applicable in Community waters and, for Community vessels, in waters where catch limitations are required ⁽¹⁾, it is essential to open these fisheries on 1 January 2006 and maintain in force in January 2006 some of the rules of the said Regulation. Given the urgency of the matter, it is imperative to grant an exception to the six-week period referred to in paragraph I(3) of the Protocol on the role of national Parliaments in the

⁽¹⁾ OJ L 12, 14.1.2005, p. 1. Regulation as last amended by Regulation (EC) No 1936/2005 (OJ L 311, 26.11.2005, p. 1).

▼B

European Union, annexed to the Treaty on European Union and to the Treaties establishing the European Communities.

HAS ADOPTED THIS REGULATION:

CHAPTER I

SCOPE AND DEFINITIONS

*Article 1***Subject matter**

This Regulation fixes fishing opportunities for the year 2006, for certain fish stocks and groups of fish stocks, and the associated conditions under which such fishing opportunities may be used.

In addition, it fixes certain effort limits and associated conditions for January 2007, and for certain Antarctic stocks it fixes the fishing opportunities and specific conditions for the periods set out in Annex IE.

*Article 2***Scope**

1. If not otherwise provided for, this Regulation shall apply to:
 - (a) Community fishing vessels ('Community vessels'); and
 - (b) fishing vessels flying the flag of, and registered in, third countries ('third - country fishing vessels') in Community waters ('EC waters').
2. By way of derogation from paragraph 1, this Regulation shall not apply to fishing operations conducted solely for the purpose of scientific investigations which are carried out with the permission and under the authority of the Member State concerned and of which the Commission and the Member State in whose waters the research is carried out have been informed in advance.

*Article 3***Definitions**

For the purposes of this Regulation, in addition to the definitions laid down in Article 3 of Regulation (EC) No 2371/2002, the following definitions shall apply:

- (a) 'total allowable catches' means the quantity that can be taken from each stock each year;
- (b) 'quota' means a fixed proportion of the TAC allocated to the Community, Member States or third countries;
- (c) 'international waters' means waters falling outside the sovereignty or jurisdiction of any State;
- (d) 'NAFO Regulatory Area' means the part of the area of the Northwest Atlantic Fisheries Organisation (NAFO) Convention not falling under the sovereignty or within the jurisdiction of coastal States;

▼B

- (e) 'Skagerrak' means the area bounded on the west by a line drawn from the Hanstholm lighthouse to the Lindesnes lighthouse and on the south by a line drawn from the Skagen lighthouse to the Tistlarna lighthouse and from this point to the nearest point on the Swedish coast;
- (f) 'Kattegat' means the area bounded on the north by a line drawn from the Skagen lighthouse to the Tistlarna lighthouse and from this point to the nearest point on the Swedish coast and on the south by a line drawn from Hasenøre to Gribens Spids, from Korshage to Spodsbjerg and from Gilbjerg Hoved to Kullen;
- (g) 'Gulf of Cadiz' means the area of ICES Subdivision IXa east of longitude 7°23'48"W.

*Article 4***Fishing zones**

For the purposes of this Regulation, the following zone definitions shall apply:

- (a) ICES (International Council for the Exploration of the Sea) zones are as defined in Regulation (EEC) No 3880/91. If 'EC waters' is added to a zone, it means that the zone refers only to EC waters of that zone;
- (b) CECAF (Eastern Central Atlantic or FAO major fishing zone 34) zones are as defined in Council Regulation (EC) No 2597/95 of 23 October 1995 on the submission of nominal catch statistics by Member States fishing in certain areas other than those of the North Atlantic ⁽¹⁾;
- (c) NAFO (Northwest Atlantic Fisheries Organisation) zones are as defined in Council Regulation (EEC) No 2018/93 of 30 June 1993 on the submission of catch and activity statistics by Member States fishing in the Northwest Atlantic ⁽²⁾;
- (d) CCAMLR (Convention for the Conservation of Antarctic Marine Living Resources) zones are as defined in Regulation (EC) No 601/2004 .

CHAPTER II

FISHING OPPORTUNITIES AND ASSOCIATED CONDITIONS FOR COMMUNITY VESSELS*Article 5***Catch limits and allocations**

1. The catch limits for Community vessels in Community waters or in certain non-Community waters and the allocation of such catch limits among Member States and additional conditions in accordance with Article 2 of Regulation (EC) No 847/96 are set out in Annex I.
2. Community vessels are hereby authorised to make catches, within the quota limits set out in Annex I, in waters falling within the fisheries

⁽¹⁾ OJ L 270, 13.11.1995, p. 1. Regulation as last amended by Regulation (EC) No 1882/2003 of the European Parliament and of the Council (OJ L 284, 31.10.2003, p. 1).

⁽²⁾ OJ L 186, 28.7.1993, p. 1. Regulation as last amended by Regulation (EC) No 1882/2003.

▼B

jurisdiction of the Faroe Islands, Greenland, Iceland and Norway, and the fishing zone around Jan Mayen, subject to the conditions set out in Articles 10, 17 and 18.

3. The Commission shall immediately stop fishing activities concerning anchovy in subarea VIII if STECF advises that the spawning stock biomass at spawning time in 2006 is less than 28 000 tonnes.

4. The Commission shall fix the final catch limits for the fisheries on sandeel in ICES Divisions IIa (EC waters), IIIa, and Subarea IV (EC waters) according to the rules laid down in point 6 of Annex IID

5. The Commission shall fix catch limits for capelin in zones V, XIV (Greenland waters) available to the Community at 7,7% of the capelin TAC as soon as the TAC has been established.

6. Catch limits for the stocks of anglerfish in zones IIa (EC waters) and IV (EC waters) and in zones Vb (EC waters), VI, XII, and XIV may be revised by the Commission in accordance with the procedure referred to in Article 30(2) of Regulation (EC) No 2371/2002 following analysis by the STECF of observed catch-per-unit-effort data collected during the first quarter of 2006.

7. Catch limits for the stock of Norway pout in zones IIa (EC waters), IIIa and IV (EC waters) and for the stock of sprat in zones IIa (EC waters) and IV (EC waters) may be revised by the Commission in accordance with the procedure referred to in Article 30(2) of Regulation (EC) No 2371/2002 in the light of scientific information collected during the first half of 2006.

▼M8

8. It shall be prohibited for Community vessels to fish for, to retain on board, to tranship and to land the following species in all Community and non-Community waters:

- Basking shark (*Cetorhinus maximus*),
- White shark (*Carcharodon carcharias*).

▼B*Article 6***Special provisions on allocations**

1. The allocation of fishing opportunities among Member States as set out in Annex I shall be without prejudice to:

- (a) exchanges made pursuant to Article 20(5) of Regulation (EC) No 2371/2002;
- (b) reallocations made pursuant to Articles 21(4), 23(1) and 32(2) of Regulation (EEC) No 2847/93;
- (c) additional landings allowed under Article 3 of Regulation (EC) No 847/96;
- (d) quantities withheld in accordance with Article 4 of Regulation (EC) No 847/96;
- (e) deductions made pursuant to Article 5 of Regulation (EC) No 847/96.

▼ B

2. For the purpose of withholding quotas to be transferred to 2007, Article 4(2) of Regulation (EC) No 847/96 shall apply, by way of derogation from that Regulation, to all stocks subject to analytical TAC.

*Article 7***Fishing effort limits and associated conditions for the management of stocks**

1. From 1 February 2006 to 31 January 2007, the fishing effort limitations and associated conditions laid down in:

— Annex IIA shall apply for the management of certain stocks in the Kattegat, the Skagerrak, Subarea IV, and ICES Divisions IIa (EC waters), IIIa, VIa, VIIa and VIIId;

▼ M8

— Annex IIB shall apply for the management of hake and nephrops in ICES Divisions VIIIc and IXa with the exception of Gulf of Cadiz;

▼ B

— Annex IIC shall apply for the management of sole stocks in the ICES Division VIIe;

▼ M8

— Annex IID shall apply for the management of sandeel stocks in ICES Divisions IIa (EC waters), IIIa and Subarea IV.

▼ B

2. For the period 1 January 2006 to 31 January 2006 for the stocks mentioned in paragraph 1, the fishing effort and associated conditions laid down in Annexes IVa, IVb, IVc and V to Regulation (EC) No 27/2005 shall continue to apply.

3. Vessels using gear types identified in point 4 of Annex IIA and in point 3 of Annexes IIB and IIC respectively and fishing in areas defined in point 2 of Annex IIA and in point 1 of Annexes IIB and IIC respectively shall hold a special fishing permit issued in accordance with Article 7 of Regulation (EC) No 1627/94, as provided for in these Annexes.

4. The Commission shall fix the final fishing effort for 2006 for the fisheries on sandeel in ICES Divisions IIa (EC waters), IIIa, and Subarea IV based on the rules laid down in point 6 of Annex IId.

5. Member States shall ensure that for 2006 the fishing effort levels, measured in kilowatt days absent from port, by vessels holding deep-sea fishing permits do not exceed 80% of the average annual fishing effort deployed by the vessels of the Member State concerned in 2003 on trips when deep-sea fishing permits were held and deep-sea species, ► **C1** as listed in Annexes I and II to Regulation (EC) No 2347/2002 ◀, were caught. This paragraph shall apply only to fishing trips on which more than 100 kg of deep sea species, other than greater silver smelt, were caught.

*Article 8***Conditions for landing catches and by-catches**

1. Fish from stocks for which catch limits are fixed shall be retained on board or landed only if:

▼B

- (a) the catches have been taken by vessels of a Member State having a quota and that quota is not exhausted; or
- (b) the catches consist of a part of a Community share which has not been allocated by quota among Member States, and that share has not been exhausted.

2. By way of derogation from paragraph 1, the following fish may be retained on board and landed even if a Member State has no quotas or the quotas or shares are exhausted:

- (a) species, other than herring and mackerel, where
 - (i) they are caught mixed with other species with nets whose mesh size is less than 32 mm in accordance with Article 4 of Regulation (EC) No 850/98, and;
 - (ii) the catches are not sorted either on board or on landing;
 or
- (b) mackerel, where
 - (i) they are caught mixed with horse mackerel or pilchard;
 - (ii) they do not exceed 10 % of the total weight of mackerel, horse mackerel and pilchard on board and;
 - (iii) the catches are not sorted either on board or on landing.

3. Article 2(1) of Regulation (EC) No 1434/98, shall not apply to herring caught in ICES Subarea IV and ICES Divisions IIa (EC waters), IIIa and VIId.

4. All landings shall count against the quota or, if the Community share has not been allocated between Member States by quotas, against the Community share, except for catches made under the provisions of paragraph 2.

5. When catch limits of a Member State for herring in ICES Subareas II (EC waters), IV and Subdivisions IIIa and VIId are exhausted, flying the flag of that Member State, registered in the Community and operating within the fisheries to which the relevant catch limitations apply, shall be prohibited from landing catches which are unsorted and which contain herring.

6. The determination of the percentage of by-catches and their disposal shall be made in accordance with Articles 4 and 11 of Regulation (EC) No 850/98.

Article 9

Unsorted landings in ICES Subarea IV and ICES Divisions IIa (EC waters), IIIa and VIId

1. Member States shall ensure that an adequate sampling programme is in place allowing an efficient monitoring of unsorted landings by species caught in ICES Subarea IV and ICES Divisions IIa (EC waters), IIIa and VIId.

2. Unsorted catches in ICES Subarea IV and ICES Divisions IIa (EC waters), IIIa and VIId shall be landed only at ports and landing locations where a sampling programme as referred to in paragraph 1 is in place.

▼B*Article 10***Access limits**

No fishing by Community vessels shall take place in the Skagerrak within 12 nautical miles from the baselines of Norway. However, vessels flying the flag of Denmark or Sweden shall be allowed to fish up to four nautical miles from the baselines of Norway

▼M8

Fishing by Community vessels in waters under the jurisdiction of Iceland shall be limited to the area defined by straight lines sequentially connecting the following coordinates:

South Western Area

1. 63° 12' N and 23° 05' W through 62° 00' N and 26° 00' W,
2. 62° 58' N and 22° 25' W,
3. 63° 06' N and 21° 30' W,
4. 63° 03' N and 21° 00' W from there 180° 00' S;

South Eastern Area

1. 63° 14' N and 10° 40' W,
2. 63° 14' N and 11° 23' W,
3. 63° 35' N and 12° 21' W,
4. 64° 00' N and 12° 30' W,
5. 63° 53' N and 13° 30' W,
6. 63° 36' N and 14° 30' W,
7. 63° 10' N and 17° 00' W from there 180° 00' S.

▼B*Article 11***Transitional technical and control measures**

Transitional technical and control measures for Community vessels shall be as set out in Annex III.

CHAPTER III

CATCH LIMITS AND ASSOCIATED CONDITIONS FOR THIRD-COUNTRY FISHING VESSELS*Article 12***Transitional technical and control measures**

Transitional technical and control measures for third-country fishing vessels shall be as set out in Annex III.

▼ **M8***Article 13***Authorisation**

1. Fishing vessels flying the flag of Barbados, Guyana, Japan, South Korea, Norway, Suriname, Trinidad and Tobago or Venezuela and fishing vessels registered in the Faroe Islands shall be authorised to make catches in Community waters, within the catch limits set out in Annex I and subject to the conditions provided for in Articles 14, 15 and 16 and 19 to 25.

2. It shall be prohibited for third-country fishing vessels to fish for, to retain on board, to tranship and to land the following species in all Community waters:

- Basking shark (*Cetorhinus maximus*),
- White shark (*Carcharodon carcharias*).

▼ **B***Article 14***Geographical restrictions**

1. Fishing by fishing vessels flying the flag of Norway or registered in the Faroe Islands shall be limited to those parts of the 200 nautical mile zone lying seawards of 12 nautical miles from the baselines of Member States in ICES Subarea IV, the Kattegat and the Atlantic Ocean north of 43°00'N, except the area referred to in Article 18 of Regulation (EC) No 2371/2002.

2. Fishing in the Skagerrak by fishing vessels flying the flag of Norway shall be allowed seawards of four nautical miles from the baselines of Denmark and Sweden.

3. Fishing by fishing vessels flying the flag of Barbados, Guyana, Japan, South Korea, Suriname, Trinidad and Tobago, and Venezuela shall be limited to those parts of the 200-nautical-mile zone lying seawards of 12 nautical miles from the baselines of the Department of French Guyana.

*Article 15***Transit through Community waters**

Third-country fishing vessels that transit through Community waters shall stow their nets so that they may not readily be used, in accordance with the following conditions:

- (a) nets, weights and similar gear shall be disconnected from their trawl boards and towing and hauling wires and ropes,
- (b) nets which are on or above deck shall be securely lashed to some part of the superstructure.

*Article 16***Conditions for landing catches and by-catches**

Fish from stocks for which catch limits are fixed shall not be retained on board or landed unless the catches have been taken by fishing vessels of a third-country having a quota and that quota is not exhausted.



CHAPTER IV

LICENSING ARRANGEMENTS FOR COMMUNITY VESSELS

*Article 17***Licences and associated conditions**

1. Notwithstanding the general rules on fishing licences and special fishing permits provided for in Regulation (EC) No 1627/94, fishing by Community vessels in waters of a third country shall be subject to the holding of a licence issued by the authorities of that third country.
2. However, paragraph 1 shall not apply to the following Community vessels, when fishing in Norwegian waters of the North Sea:
 - (a) vessels of a tonnage equal to or less than 200 GT; or
 - (b) vessels carrying out fisheries for human consumption for species other than mackerel; or
 - (c) vessels flying the flag of Sweden, in line with established practice.
3. The maximum number of licences and other associated conditions shall be fixed as set out in Part I of Annex IV. Requests for licences shall indicate the types of fishing and the name and characteristics of the Community vessels for which licences are to be issued and shall be addressed by the authorities of the Member States to the Commission. The Commission shall submit these requests to the authorities of the third country concerned.
4. If one Member State transfers quota to another Member State (swap) in the fishing areas set out in Part I of Annex IV, the transfer shall include an appropriate transfer of licences and shall be notified to the Commission. However, the total number of licences for each fishing area, as set out in Part I of Annex IV, shall not be exceeded.
5. Community vessels shall comply with the conservation and control measures and all other provisions governing the zone in which they operate.

*Article 18***Faroe Islands**

Community vessels licensed to conduct a directed fishery for one species in waters of the Faroe Islands may conduct directed fishery for another species provided that they give prior notification to the Faroese authorities.

CHAPTER V

LICENSING ARRANGEMENTS FOR THIRD-COUNTRY FISHING VESSELS

*Article 19***Obligation to have a licence and a special fishing permit**

1. Notwithstanding Article 28b of Regulation (EEC) No 2847/93, fishing vessels of less than 200 GT flying the flag of Norway shall be exempt from the obligation to have a licence and a special fishing permit.

▼B

2. The licence and special fishing permit shall be kept on board. However, fishing vessels registered in the Faroe Islands or Norway shall be exempt from that obligation.

3. Fishing vessels from third countries authorised to fish on 31 December 2005 may continue to fish as from 1 January 2006 until the list of fishing vessels authorised to fish is submitted to, and approved by, the Commission.

*Article 20***Application for a licence and special fishing permit**

An application to the Commission for a licence and special fishing permit from an authority of a third-country shall be accompanied by the following information:

- (a) name of the vessel;
- (b) registration number;
- (c) external identification letters and numbers;
- (d) port of registration;
- (e) name and address of the owner or charterer;
- (f) gross tonnage and overall length;
- (g) engine power;
- (h) call sign and radio frequency;
- (i) intended method of fishing;
- (j) intended area of fishing;
- (k) species for which it is intended to fish;
- (l) period for which a licence is applied for.

*Article 21***Number of licences**

The number of licences and special associated conditions shall be fixed as set out in Part II of Annex IV.

*Article 22***Cancellation and withdrawal**

1. Licences and special fishing permits may be cancelled with a view to the issue of new licences and special fishing permits. Such cancellations shall take effect on the day preceding the date of issue of the new licences and special fishing permits by the Commission. New licences and special fishing permits shall take effect from their date of issue.

2. Licences and special fishing permits shall be wholly or partially withdrawn before their date of expiry if the quota for the stock in question as set out in Annex I has been exhausted.

▼B

3. Licences and special fishing permits shall be withdrawn in the event of any failure to meet the obligations laid down in this Regulation.

*Article 23***Failure to comply with relevant rules**

1. For a period not exceeding 12 months, no licence or special fishing permit shall be issued for any third-country fishing vessel in respect of which the obligations laid down in this Regulation have not been fulfilled.

2. The Commission shall submit to the authorities of the third-country concerned the names and characteristics of the third-country fishing vessels which will not be authorised to fish in the Community fishing zone for the following month or months as a consequence of an infringement of the relevant rules.

*Article 24***Obligations of the licence holder**

1. Third-country fishing vessels shall comply with the conservation and control measures and other provisions governing fishing by Community vessels in the zone in which they operate, in particular ►**M3** Regulations (EEC) No 1381/87, (EEC) No 2847/93, (EC) No 1627/94, (EC) No 850/98, (EC) No 1434/98 and (EC) No 2187/2005 ⁽¹⁾. ◀

2. The third-country fishing vessels referred to in paragraph 1 shall keep a logbook in which the information set out in Part I of Annex V, shall be entered.

3. Third-country fishing vessels, except vessels flying the flag of Norway fishing in ICES Division IIIa, shall transmit the information set out in Annex VI to the Commission, in accordance with the rules laid down in that Annex.

*Article 25***Specific provisions concerning the Department of French Guyana**

1. The granting of licences to fish in the waters of the Department of French Guyana shall be subject to an undertaking by the owner of the third-country fishing vessel concerned to permit an observer to come on board at the Commission's request.

2. The master of each third-country fishing vessel in possession of a licence for finfish or tuna fishing in the waters of the Department of French Guyana shall, on landing the catch after each trip, submit a declaration to the French authorities stating the quantities of shrimp caught and kept on board since the last declaration. This declaration shall be in accordance with the model set out in Part III of Annex IV. The master shall be responsible for the accuracy of the declaration. The French authorities shall take all appropriate measures to verify the accuracy of the declarations, by checking them in particular against the logbook referred to in Article 24(2). The declaration shall be signed by the competent official after it has been verified. Before the

⁽¹⁾ Council Regulation (EC) No 2187/2005 of 21 December 2005 for the conservation of fishery resources through technical measures in the Baltic Sea, the Belts and the Sound (OJ L 349 31.12.2005, p. 1).

▼B

end of each month, the French authorities shall send to the Commission all the declarations relating to the preceding month.

3. Third-country fishing vessels fishing in the waters of the Department of French Guyana shall keep a logbook corresponding to the model appearing in Part II of Annex V. A copy of this logbook shall be sent to the Commission within 30 days of the last day of each fishing trip, via the French authorities.

4. If, for a period of one month, the Commission receives no communication concerning a third-country fishing vessel in possession of a licence to fish in waters of the Department of French Guyana, the licence of that vessel shall be withdrawn.

CHAPTER VI

SPECIAL PROVISIONS FOR COMMUNITY VESSELS FISHING IN THE NAFO REGULATORY AREA*SECTION 1***Community participation***Article 26***List of vessels**

1. Only Community vessels of more than 50 gross tonnes which have been issued a special fishing permits by their flag Member State and are included in the NAFO vessel register shall be authorised, on the conditions set out in their permits, to fish, keep on board, trans-ship and land fishery resources from the NAFO Regulatory Area.

2. Each Member State shall inform the Commission in computer readable form, at least 15 days before the new vessel enters the NAFO Regulatory Area, of any amendment to its list of vessels flying its flag and registered in the Community that are authorised to fish in the NAFO Regulatory Area. The Commission shall forward this information promptly to the NAFO Secretariat.

3. The information referred to in paragraph 2 shall include the following:

- (a) the internal number of the vessel, as defined in Annex I to Commission Regulation (EC) No 26/2004 of 30 December 2003 on the Community fishing fleet register ⁽¹⁾;
- (b) the international radio call sign;
- (c) the vessel charterer, where applicable;
- (d) the vessel type.

4. For vessels temporarily flying the flag of a Member State (bare boat charter), the information forwarded shall furthermore include:

- (a) the date from which the vessel has been authorised to fly the flag of the Member State;
- (b) the date from which the vessel has been authorised by the Member State to engage in fishing in the NAFO Regulatory Area;

⁽¹⁾ OJ L 5, 9.1.2004, p. 25.

▼B

- (c) the name of the State where the vessel is registered or has been previously registered and the date as from which it ceased flying the flag of that State;
- (d) the name of the vessel;
- (e) the official registration number of the vessel assigned by the competent national authorities;
- (f) the home port of the vessel after the transfer;
- (g) the name of owner or charterer of the vessel;
- (h) a declaration that the master has been provided with a copy of the regulations in force in the NAFO Regulatory Area;
- (i) the principal species which can be fished by the vessel in the NAFO Regulatory Area;
- (j) the Subareas where the vessel may be expected to fish.

*SECTION 2***Technical measures***Article 27***Mesh sizes**

1. The use of trawl net having in any section thereof net meshes of dimensions less than 130 mm shall be prohibited for direct fishing of the groundfish species referred to in Annex VII. This mesh size may be reduced to a minimum of 60 mm for direct fishing of short-finned squid (*Illex illecebrosus*). For direct fishing of skates (*Rajidae*) this mesh size shall be increased to a minimum of 280 mm in the cod-end and 220 mm in all other parts of the trawl.
2. Vessels fishing for shrimp (*Pandalus borealis*) shall use nets with a minimum mesh size of 40 mm.

*Article 28***Attachments to nets**

1. The use of any means or device other than those described in this Article which obstructs the meshes of a net or which diminishes their size shall be prohibited.
2. Canvas, netting or any other material may be attached to the underside of the cod-end in order to reduce or prevent damage.
3. Devices may be attached to the upper side of the cod-end provided that they do not obstruct the meshes of the cod-end. The use of top-side chafers shall be limited to those listed in Annex VIII.
4. Vessels fishing for shrimp (*Pandalus borealis*) shall use sorting grids or grates with a maximum spacing between bars of 22 mm. Vessels fishing for shrimp in Division 3L shall also be equipped with toggle chains of a minimum of 72 cm in length as described in Annex IX.

▼B*Article 29***By-catches**

1. Fishing vessels may not conduct directed fisheries for species for which by-catch limits apply. A directed fishery for a species is conducted when that species comprises the largest percentage by weight of the catch in any one haul.
2. By-catches of the species for which no quotas have been fixed by the Community for a part of the NAFO Regulatory Area and taken in that part when fishing directly for any species may not exceed for each species 2 500 kg or 10 % by weight of the total catch retained on board, whichever is the greater. However, in a part of the NAFO Regulatory Area where directed fishing of certain species is banned or an 'others' quota has been fully utilised, by-catches of each of the species listed in Annex ID shall not exceed 1 250 kg or 5 % respectively.
3. Whenever the total amounts of species subject to by-catch limits in any haul exceed the limits laid down in paragraph 2, whichever is applicable, vessels shall immediately move a minimum of five nautical miles from the previous haul position. Whenever the total amounts of species subject to by-catch limits in any subsequent haul exceed those limits, vessels shall again immediately move a minimum of five nautical miles from the previous haul position and shall not return to the area for at least 48 hours.
4. Whenever total by-catches of all species in any haul exceed 5 % by weight in Division 3M and 2,5 % in Division 3L, vessels fishing for shrimp (*Pandalus borealis*) shall immediately move a minimum of five nautical miles from the position of the previous haul.
5. Catches of shrimp shall not be used in the calculation of by-catch level of groundfish species.

*Article 30***Minimum size of fish**

1. Fish from the NAFO Regulatory Area which do not have the size required as set out in Annex X may not be processed, retained on board, trans-shipped, landed, transported, stored, sold, displayed or offered for sale, but shall be returned immediately to the sea.
2. Where the quantity of caught fish not having the size required as set out in Annex X exceeds 10 % of the total quantity, the vessel shall move away to a distance of at least five nautical miles from any position of the previous haul before continuing fishing. Any processed fish for which minimum fish size requirements apply which is below a length equivalent in Annex X, shall be deemed to originate from fish that is below the minimum fish size.

*SECTION 3***Control measures***Article 31***Product labelling and separate stowage**

1. All processed fish harvested in the NAFO Regulatory Area shall be labelled in such a way that each species and product category as referred to in Article 1 of Council Regulation (EC) No 104/2000 of 17 December 1999 on the common organisation of the markets in fishery

▼B

and aquaculture products⁽¹⁾ is identifiable. It shall also be marked as having been caught in the NAFO Regulatory Area.

2. All shrimp harvested in Division 3L and all Greenland halibut harvested in Subarea 2 and Divisions 3KLMNO shall be marked as having been caught in these respective zones.

3. Taking into consideration the legitimate safety and navigational responsibility of the master of the vessel, the following shall apply:

— catch of the same species shall be stowed clearly separate from catches of other species. All catches taken within the NAFO Regulatory Area shall be stowed separately from catches taken outside this area.

— catches may be stowed in more than one part of the hold, but in each part of the hold where they are stowed, they shall be kept clearly separate, by the use of plastic, plywood, netting, etc. from catches of other species.

Article 32

Fishing and production logbooks and stowage plan

1. In addition to complying with Articles 6, 8, 11 and 12 of Regulation (EEC) No 2847/93, masters of vessels shall enter in the logbook the information listed in Annex XI.

2. Before the 15th of each month, each Member State shall, in computer -readable form, notify the Commission of the quantities of stocks specified in Annex XIII landed during the preceding month and communicate any information received under Articles 11 and 12 of Regulation (EEC) No 2847/93.

3. The masters of a Community vessel shall, in respect of catches of the species listed in Annex IC, keep:

- (a) a production logbook stating their cumulative production, by species on board in product weight stated in kilograms;
- (b) a stowage plan that shows the location of the different species in the holds.

4. The production logbook and stowage plan referred to in paragraph 3 shall be updated on a daily basis for the preceding day reckoned from 00.00 hrs (UTC) until 24.00 hrs (UTC) and shall be kept on board until the vessel has unloaded completely.

5. The master shall provide the necessary assistance to enable the quantities declared in the production logbook and the processed products stored on board to be verified.

6. Every two years Member States shall certify the accuracy of the capacity plans for all Community vessels authorised to fish pursuant to Article 26(1). The master shall ensure that a copy of such certification remains onboard to be shown to an inspector upon request.

⁽¹⁾ OJ L 17, 21.1.2000, p. 22. Regulation as amended by the 2003 Act of Accession.

▼B*Article 33***Carrying of nets**

1. When fishing directly for one or more of the species listed in Annex VII, Community vessels shall not carry nets with a mesh size smaller than that laid down in Article 27.
2. However, Community vessels fishing in the course of the same voyage in areas other than the NAFO Regulatory Area may keep on board nets with a smaller mesh size than that laid down in Article 27 provided they are securely lashed and stowed and are not available for immediate use. Such nets must:
 - (a) be unshackled from their boards and their hauling or trawling cables and ropes; and
 - (b) if they are carried on or above the deck, be lashed securely to a part of the superstructure.

*Article 34***Trans-shipment**

1. Community vessels shall not engage in trans-shipment operations in the NAFO Regulatory Area unless they have received prior authorisation to do so from their competent authorities.
2. Community vessels shall not engage in trans-shipment operations of fish from or to a non-contracting party vessel which has been sighted or otherwise identified as having engaged in fishing activities in the NAFO Regulatory Area.
3. Community vessels shall report each trans-shipment in the NAFO Regulatory Area to their competent authorities. Donor vessels shall make that report at least twenty-four hours in advance and receiving vessels not later than one hour after the trans-shipment.
4. The report referred to in paragraph 3 shall include the time, the geographical position, the total round weight by species to be off-loaded or on loaded in kilograms as well as the call sign of vessels involved in the trans-shipment.
5. The receiving vessel shall report, in addition to the total catch on board and the total weight to be landed, the name of the port and the expected time of landing at least 24 hours in advance of any landing.
6. Member States shall promptly transmit the reports referred to in paragraph 3 and 5 to the Commission, which shall promptly forward them to the NAFO Secretariat.

*Article 35***Chartering of Community vessels**

1. Member States may assent that a fishing vessel flying their flag and authorised to fish in the NAFO Regulatory Area be subject to a chartering arrangement for the utilisation in part or in full of a quota and/or fishing days allocated to another Contracting Party of NAFO. Chartering arrangements involving vessels identified by NAFO or any other Regional fisheries Organisation as having been involved in Illegal, Unreported and Unregulated (IUU) fishing activities shall, however, not be permitted.

▼B

2. On the date of the conclusion of a chartering arrangement, the flag Member State shall send the following information to the Commission, which shall forward this information to the Executive Secretary of NAFO:

- (a) its assent to the charter arrangement;
- (b) species covered by the charter and fishing opportunities allocated by the charter contract;
- (c) length of the charter arrangement;
- (d) name of the charterer;
- (e) contracting party which chartered the vessel;
- (f) the action the Member State has taken to ensure that the chartered vessels flying its flag comply with the NAFO conservation and enforcement measures for the duration of the chartering period.

3. When the charter arrangement ends, the flag Member State shall inform the Commission, which shall promptly forward this information to the Executive Secretary of NAFO.

4. The flag Member State shall act to ensure that:

- (a) the vessel is not authorised to fish during the charter period against the fishing opportunities allocated to the flag Member State;
- (b) the vessel is not authorised to fish under more than one charter arrangement during the same period;
- (c) the vessel complies with the NAFO conservation and enforcement measures for the duration of the chartering period;
- (d) all catches and by-catches under notified chartering arrangements are recorded in the fishing logbook by the chartered vessel separate from other catch data.

5. Member States shall report all catches and by-catches as referred to in paragraph 4 (d) to the Commission separately from other national catch data. The Commission shall promptly forward those data to the Executive Secretary of NAFO.

*Article 36***Monitoring of fishing effort**

1. Each Member State shall take the necessary measures to ensure that the fishing effort of its vessels is commensurate with the fishing opportunities available to that Member State in the NAFO Regulatory Area.

2. Member States shall transmit to the Commission the fishing plan for their vessels fishing for species in the NAFO Regulatory Area no later than 31 January 2006 or, thereafter, at least 30 days before the commencement of such activity. The fishing plan shall identify, inter alia, the vessel or vessels that will engage in these fisheries and the intended number of fishing days those vessels will spend in the NAFO Regulatory Area.

3. Member States shall, on an indicative basis, inform the Commission of the intended activities of their vessels in other areas.

▼B

4. The fishing plan shall represent the total fishing effort to be deployed in the NAFO Regulatory Area in relation to the fishing opportunities available to the Member State making the notification.

5. No later than 31 December 2006, Member States shall report to the Commission on the implementation of their fishing plans. Those reports shall include the number of vessels actually engaged in fishing activities in the NAFO Regulatory Area, the catches of each vessel and the total number of days each vessel fished in the that Area. Activities of vessels fishing for shrimp in Divisions 3M and 3L shall be reported separately for each *Division*.

*SECTION 4***Special requirements for data collection***Article 37***Data collection**

1. Member States shall implement, where possible, special requirements for data collection for their vessels fishing in the following areas:

Area	Coordinate 1	Coordinate 2	Coordinate 3	Coordinate 4
Orphan Knoll	50.00.30	51.00.30	51.00.30	50.00.30
	47.00.30	45.00.30	47.00.30	45.00.30
Corner Seamounts	35.00.00	36.00.00	36.00.00	35.00.00
	48.00.00	48.00.00	52.00.00	52.00.00
Newfoundland Seamounts	43.29.00	44.00.00	44.00.00	43.29.00
	43.20.00	43.20.00	46.40.00	46.40.00
New England Seamounts	35.00.00	39.00.00	39.00.00	35.00.00
	57.00.00	57.00.00	64.00.00	64.00.00

2. Data to be collected in accordance with paragraph 1 shall be collected on a set-by-set basis and should, to the extent possible, include:

- (a) Species composition in numbers and weight;
- (b) Length frequencies;
- (c) Otoliths;
- (d) Set location, latitudes and longitudes;
- (e) Fishing gear;
- (f) Depth fished;
- (g) Time of day;
- (h) Duration of set;
- (i) Tow opened (for mobile gear);
- (j) Other biological sampling, such as concerning maturity where possible.

3. The data collected in accordance with paragraph 1 shall be reported to the competent authorities of Member States for onward

▼B

transmission to the NAFO Secretariat as soon as possible after the end of each fishing trip.

*SECTION 5***Special provisions for Northern prawns***Article 38***Northern prawn fisheries**

Each Member State shall report to the Commission daily on the quantities of Northern prawns (*Pandalus borealis*) caught in Division 3L of the NAFO Regulatory Area by vessels flying its flag and registered in the Community. All fishing activities shall take place at depths greater than 200 metres and shall be limited to one vessel per each Member State allocation at any one time.

*SECTION 6***Special provisions for redfish***Article 39***Redfish fishery**

1. Every second Monday, the master of a Community vessel fishing for redfish in Division Subarea 2 and Divisions IF, 3K and 3M of the NAFO Regulatory Area, shall notify the competent authorities of the Member State whose flag the vessel is flying or in which the vessel is registered of the quantities of redfish caught in those zones in the two-week period ending at 12 midnight on the previous Sunday.

When accumulated catches reach 50 % of the TAC, the notification shall be made weekly each Monday.

2. Member States shall report to the Commission every second Tuesday before 12 noon for the fortnight ending at 12 midnight on the previous Sunday the quantities of redfish caught in Subarea 2 and Divisions IF, 3K and 3M of the NAFO Regulatory Area by vessels flying their flag and registered in their territory.

When accumulated catches have reached 50 % of the TAC, reports shall be sent on a weekly basis.

CHAPTER VII

SPECIAL PROVISIONS FOR COMMUNITY VESSELS FISHING IN THE AREA OF CCAMLR*SECTION 1***Restrictions and vessel information requirements***Article 40***Prohibitions and catch limitations**

1. Direct fishing of the species set out in Annex XIII shall be prohibited in the zones and during the periods set out in that Annex.

▼B

2. For new and exploratory fisheries, the catch and by-catch limits set out in Annex XIV shall apply in the Subareas set out in that Annex.

*Article 41***Information requirements relating to vessels authorised to fish in the Area of CCAMLR**

1. As from 1 August 2006, Member States shall communicate to the Commission, in addition to the information requirements relating to authorised vessels set forth in Article 3(2) of Regulation (EC) No 601/2004, the following in respect of such vessels:

- (a) vessel IMO number (if issued);
- (b) previous flag, if any;
- (c) international Radio Call Sign;
- (d) name and address of vessel's owner(s), and any beneficial owner(s), if known;
- (e) type of vessel;
- (f) where and when it was built;
- (g) length;
- (h) colour photograph of the vessel, which shall consist of:
 - (i) one photograph not smaller than 12 x 7 cm showing the starboard side of the vessel, displaying its full overall length and complete structural features;
 - (ii) one photograph not smaller than 12 x 7 cm showing the port side of the vessel, displaying its full overall length and complete structural features;
 - (iii) one photograph not smaller than 12 x 7 cm showing the stern, taken directly from astern;
- (i) measures taken to ensure tamper-proof operation of the satellite monitoring device installed on board.

2. As from 1 August 2006, Member States shall, to the extent practicable, also communicate to the Commission the following information relating to vessels authorised to fish in the Area of CCAMLR:

- (a) name and address of operator, if different from vessel owner(s);
- (b) names and nationality of master and, where relevant, of fishing master;
- (c) type of fishing method or methods;
- (d) beam (m);
- (e) gross registered tonnage;
- (f) vessel communication types and numbers (INMARSAT A, B and C numbers);
- (g) normal crew complement;
- (h) power of main engine or engines (kW);

▼B

- (i) carrying capacity (tonnes), number of fish holds and their capacity (m³);
- (j) any other information (e.g. ice classification) considered appropriate.

*SECTION 2***Exploratory fisheries***Article 42***Participation in exploratory fisheries**

1. Fishing vessels flying the flag of, and registered in Spain that have been notified to CCAMLR in accordance with the provisions of Article 7 of Regulation (EC) No 601/2004 may participate in long-line exploratory fisheries for *Dissostichus* spp. in Subareas FAO 88.1 and 88.2 as well as in Divisions 58.4.1, 58.4.2, 58.4.3a) outside Areas of national jurisdiction and 58.4.3b) outside Areas of national jurisdiction.
2. No more than one fishing vessel shall fish in Divisions 58.4.3a) and 58.4.3b) at any one time.
3. With regard to Subareas 88.1 and 88.2 as well as Divisions 58.4.1 and 58.4.2, total catch and by-catch limits per Subarea and Division, and their distribution among Small Scale Research Units (SSRUs) within each of them shall be as set out in Annex XIV. Fishing in any SSRU shall cease when the reported catch reaches the specified catch limit, and that SSRU shall be closed to fishing for the remainder of the season.
4. Fishing shall take place over as large a geographical and bathymetric range as possible to obtain the information necessary to determine fishery potential and to avoid over-concentration of catch and fishing effort. However, fishing in Divisions 58.4.1 and 58.4.2 shall be prohibited in depths less than 550 m.

*Article 43***Reporting systems**

Fishing vessels participating in the exploratory fisheries as referred to in Article 42 shall be subject to the following catch and effort reporting systems:

- (a) the Five-day Catch and Effort Reporting System set out in Article 12 of Regulation (EC) No 601/2004, with the exception that Member States shall submit to the Commission catch and effort reports not later than two working days after the end of each reporting period, for immediate transmission to CCAMLR. In Subareas 88.1 and 88.2 as well as in Divisions 58.4.1 and 58.4.2, reporting shall be made by Small Scale Research Units;
- (b) the Monthly fine-scale Catch and Effort Reporting System set out in Article 13 of Regulation (EC) No 601/2004;
- (c) the total number and weight of *Dissostichus eleginoides* and *Dissostichus mawsoni* discarded, including those with the 'jellymeat' condition, shall be reported.

*Article 44***Special requirements**

1. The exploratory fisheries as referred to in Article 42 shall be carried out in accordance with Article 8 of Council Regulation (EC) No 600/2004 of 22 March 2004 laying down certain technical measures applicable to fishing activities in the area covered by the Convention on the conservation of Antarctic marine living resources⁽¹⁾ with regard to applicable measures to reduce the incidental mortality of seabirds in the course of long-line fisheries. In addition to these measures:

- (a) the discharge of offal shall be prohibited in these fisheries;
- (b) vessels participating in exploratory fisheries in Divisions 58.4.1 and 58.4.2 which comply with CCAMLR Protocols (A, B or C) for longline weighting shall be exempted from the night-setting requirement; however, vessels which catch a total of three (3) seabirds shall immediately revert to night setting in accordance with Article 8 of Regulation (EC) No 601/2004;
- (c) vessels participating in exploratory fisheries in Subareas 88.1 and 88.2 as well as Divisions 58.4.3a) and 58.4.3b) which catch a total of three (3) seabirds shall cease fishing immediately and shall not be permitted to fish outside the normal fishing season for the remainder of the 2005/06 season.

2. Fishing vessels participating in exploratory fisheries in FAO Subareas 88.1 and 88.2 shall be subject to the following additional requirements:

- (a) vessels shall be prohibited from discharging:
 - (i) oil or fuel products or oily residues into the sea, except as permitted in Annex I to MARPOL 73/78 (International Convention for the Prevention of Pollution from Ships);
 - (ii) garbage;
 - (iii) food wastes not capable of passing through a screen with openings no greater than 25 mm;
 - (iv) poultry or parts thereof (including egg shells);
 - (v) sewage within 12 nautical miles of land or ice shelves, or sewage while the ship is travelling at a speed of less than 4 knots; or
 - (vi) incineration ash.
- (b) no live poultry or other living birds shall be brought into Subareas 88.1 and 88.2 and any dressed poultry not consumed shall be removed from Subareas 88.1 and 88.2;
- (c) fishing for *Dissostichus* spp. in Subareas 88.1 and 88.2 shall be prohibited within 10 nautical miles of the coast of the Balleny Islands.

⁽¹⁾ OJ L 97, 1.4.2004, p. 1.

▼B*Article 45***Definition of hauls**

1. For the purposes of this Section, a haul shall comprise the setting of one or more lines in a single location. The precise geographic position of a haul shall be determined by the centre-point of the line or lines deployed for the purposes of catch and effort reporting.
2. To be designated as a research haul:
 - (a) each research haul shall be separated by no less than five nautical miles from any other research haul, distance to be measured from the geographical mid-point of each research haul;
 - (b) each haul shall comprise at least 3 500 hooks and no more than 10 000 hooks; this may comprise a number of separate lines set in the same location;
 - (c) each haul of a longline shall have a soak time of not less than six hours, measured from the time of completion of the setting process to the beginning of the hauling process.

*Article 46***Research plans**

Fishing vessels participating in the exploratory fisheries referred to in Article 42 shall implement Research Plans, in each and all SSRUs in which FAO Subareas 88.1 and 88.2 as well as Divisions 58.4.1 and 58.4.2 are divided. The Research Plan shall be implemented in the following manner:

- (a) on first entry into a SSRU, the first 10 hauls, designated 'first series', shall be designated 'research hauls' and must satisfy the criteria set out in Article 45(2);
- (b) the next 10 hauls, or 10 tonnes of catch, whichever trigger level is achieved first, shall be designated the 'second series'. Hauls in the second series may, at the discretion of the master, be fished as part of normal exploratory fishing. However, provided they satisfy the requirements of Article 45(2), these hauls may also be designated as research hauls;
- (c) on completion of the first and second series of hauls, if the master wishes to continue to fish within the SSRU, the vessel shall undertake a 'third series' which shall result in a total of 20 research hauls being made in all three series. The third series of hauls shall be completed during the same visit as the first and the second series in a SSRU;
- (d) on completion of 20 research hauls of the third series, the vessel may continue to fish within the SSRU;
- (e) in SSRUs A, B, C, E and G in Subareas 88.1 and 88.2 where fishable seabed area is less than 15 000 km², points (b), (c) and (d) shall not apply and on completion of 10 research hauls the vessel may continue to fish within the SSRU.

▼B*Article 47***Data collection plans**

1. Fishing vessels participating in the exploratory fisheries referred to in Article 42 shall implement data collection plans, in each and all SSRUs in which FAO Subareas 88.1 and 88.2 as well as Divisions 58.4.1 and 58.4.2 are divided. The Data Collection Plan shall comprise the following data:

- (a) the position and sea depth at each end of every line in a haul;
- (b) the setting, soak, and hauling times;
- (c) the number and species of fish lost at surface;
- (d) the number of hooks set;
- (e) the bait type;
- (f) the baiting success (%);
- (g) the hook type; and
- (h) the sea and cloud conditions and phase of the moon at the time of setting the lines.

2. All data referred to under paragraph 1 shall be collected for every research haul; in particular, all fish in a research haul up to 100 fish are to be measured and at least 30 fish sampled for biological studies. Where more than 100 fish are caught, a method for randomly subsampling the fish shall be applied.

*Article 48***Tagging programme**

Each fishing vessel participating in the exploratory fisheries as referred to in Article 42 shall implement a tagging programme as follows:

- (a) *Dissostichus* spp. individuals shall be tagged and released at a rate of one individual per tonne of green weight catch throughout the season in accordance with the CCAMLR Tagging Protocol. Vessels shall only discontinue tagging after they have tagged 500 individuals, or leave the fishery having tagged one individual per tonne of green weight caught;
- (b) the programme shall target individuals of all sizes in order to meet the tagging requirement of one individual per one tonne of green weight catch. All released individuals shall be double-tagged and releases shall cover as broad a geographical area as possible;
- (c) all tags shall be clearly imprinted with a unique serial number and a return address so that the origin of tags can be retraced in the case of recapture of the tagged individual;
- (d) all recaptured tagged individuals (i.e. fish caught that have a previously inserted tag) shall not be re-released, even if it was at liberty for only a short period;
- (e) all recaptured tagged individuals shall be biologically sampled (length, weight, sex, gonad stage), an electronic photograph taken if possible, the otoliths recovered and the tag removed;

▼B

- (f) all relevant tag data and any data recording tag recaptures shall be reported electronically in the CCAMLR format to CCAMLR within three months of the vessel departing these fisheries;
- (g) all relevant tag data, any data recording tag recaptures, and specimens from recaptures shall also be reported electronically in the CCAMLR format to the relevant regional tag data repository as detailed in the CCAMLR Tagging Protocol.

*Article 49***Scientific observers**

Each fishing vessel participating in the exploratory fisheries referred to in Article 42 shall have at least two scientific observers, one of which shall be an observer appointed in accordance with the CCAMLR Scheme of International Scientific Observation, on board throughout all fishing activities within the fishing period.

CHAPTER VIII

FINAL PROVISIONS*Article 50***Data transmission**

When pursuant to Articles 15(1) and 18(1) of Regulation (EEC) No 2847/93, Member States send data to the Commission relating to landings of quantities of stocks caught, they shall use the stock codes set out in Annex I to this Regulation.

*Article 51***Entry into force**

This Regulation shall enter into force on the day of its publication in the *Official Journal of the European Union*.

It shall apply from 1 January 2006.

Where the TACs of the CCAMLR area are set for periods starting before 1 January 2006, Article 40 shall apply with effect from the beginning of the respective periods of application of the TACs.

This Regulation shall be binding in its entirety and directly applicable in all Member States.



ANNEX I

CATCH LIMITS APPLICABLE TO COMMUNITY VESSELS IN AREAS WHERE CATCH LIMITS EXIST AND FOR THIRD COUNTRIES FISHING VESSELS IN EC WATERS, BY SPECIES AND BY AREA (IN TONNES LIVE WEIGHT, EXCEPT WHERE OTHERWISE SPECIFIED)

All catch limits set out in this Annex shall be considered as quotas for the purposes of Article 5 of this Regulation, and shall, therefore, be subject to the rules set out in Regulation (EC) No 2847/93, and in particular Articles 14 and 15 thereof.

Within each area, fish stocks are referred to following the alphabetical order of the Latin names of the species. The following table of correspondences of Latin names and common names is given for the purposes of this Regulation:

<i>Scientific name</i>	<i>Alpha-3 code</i>	<i>Common name</i>
<i>Ammodytidae</i>	SAN	Sandeel
<i>Anarhichas lupus</i>	CAT	Atlantic catfish
<i>Aphanopus carbo</i>	BSF	Black scabbardfish
<i>Argentina silus</i>	ARU	Greater silver smelt
<i>Beryx</i> spp.	ALF	Alfonsinos
<i>Boreogadus saida</i>	POC	Polar cod
<i>Brosme brosme</i>	USK	Tusk
<i>Centrophorus squamosus</i>	GUQ	Leafscale gulper shark
<i>Centroscymnus coelolepis</i>	CYO	Portuguese dogfish
<i>Cetorhinus maximus</i>	BSK	Basking shark
<i>Chaenocephalus aceratus</i>	SSI	Blackfin icefish
<i>Champscephalus gunnari</i>	ANI	Antarctic icefish
<i>Channichthys rhinoceratus</i>	LIC	Unicorn icefish
<i>Chionoecetes</i> spp.	PCR	Snow crab
<i>Clupea harengus</i>	HER	Herring
<i>Coryphaenoides rupestris</i>	RNG	Roundnose grenadier
<i>Dalatias licha</i>	SCK	Kitefin shark
<i>Deania calcea</i>	DCA	Birdbeak dogfish
<i>Dissostichus eleginoides</i>	TOP	Antarctic toothfish
<i>Engraulis encrasicolus</i>	ANE	Anchovy
<i>Etmopterus princeps</i>	ETR	Great lantern shark
<i>Etmopterus pusillus</i>	ETP	Smooth lantern shark
<i>Etmopterus spinax</i>	ETX	Velvet belly
<i>Euphausia superba</i>	KRI	Krill
<i>Gadus morhua</i>	COD	Cod
<i>Galeorhinus galeus</i>	GAG	Tope shark
<i>Germo alalunga</i>	ALB	Albacore tunna
<i>Glyptocephalus cynoglossus</i>	WIT	Witch flounder
<i>Gobionotothen gibberifrons</i>	NOG	Humped rockcod
<i>Hippoglossoides platessoides</i>	PLA	American plaice
<i>Hippoglossus hippoglossus</i>	HAL	Atlantic halibut
<i>Hoplostethus atlanticus</i>	ORY	Orange roughy
<i>Illex illecebrosus</i>	SQI	Short fin squid
<i>Lamna nasus</i>	POR	Porbeagle
<i>Lampanyctus achirus</i>	LAC	Lantern fish
<i>Lepidonotothen squamifrons</i>	NOS	Grey rockcod
<i>Lepidorhombus</i> spp.	LEZ	Megrims
<i>Limanda ferruginea</i>	YEL	Yellowtail flounder
<i>Limanda limanda</i>	DAB	Dab
<i>Lophiidae</i>	ANF	Anglerfish
<i>Macrourus berglax</i>	RHG	Roughhead grenadier
<i>Macrourus</i> spp.	GRV	Grenadier

▼B

<i>Scientific name</i>	<i>Alpha-3 code</i>	<i>Common name</i>
<i>Makaira nigricans</i>	BUM	Blue marlin
<i>Mallotus villosus</i>	CAP	Capelin
<i>Martialia hyadesi</i>	SQS	Squid
<i>Melanogrammus aeglefinus</i>	HAD	Haddock
<i>Merlangius merlangus</i>	WHG	Whiting
<i>Merluccius merluccius</i>	HKE	Hake
<i>Micromesistius poutassou</i>	WHB	Blue whiting
<i>Microstomus kitt</i>	LEM	Lemon sole
<i>Molva dypterygia</i>	BLI	Blue ling
<i>Molva macrophthalmus</i>	SLI	Spanish ling
<i>Molva molva</i>	LIN	Ling
<i>Nephrops norvegicus</i>	NEP	Norway lobster
<i>Notothenia rossii</i>	NOR	Marbled rockcod
<i>Pagellus bogaraveo</i>	SBR	Red Seabream
<i>Pandalus borealis</i>	PRA	Northern prawn
<i>Paralomis</i> spp.	PAI	Crab
<i>Penaeus</i> spp.	PEN	'Penaeus' shrimps
<i>Phycis</i> spp.	FOX	Forkbeards
<i>Platichthys flesus</i>	FLX	Flounder
<i>Pleuronectes platessa</i>	PLE	Plaice
<i>Pleuronectiformes</i>	FLX	Flatfish
<i>Pollachius pollachius</i>	POL	Pollack
<i>Pollachius virens</i>	POK	Saithe
<i>Psetta maxima</i>	TUR	Turbot
<i>Pseudochaenichthys georgianus</i>	SGI	South Georgian icefish
<i>Rajidae</i>	SRX-RAJ	Skates and rays
<i>Reinhardtius hippoglossoides</i>	GHL	Greenland halibut
<i>Salmo salar</i>	SAL	Atlantic salmon
<i>Scomber scombrus</i>	MAC	Mackerel
<i>Scophthalmus rhombus</i>	BLL	Brill
<i>Sebastes</i> spp.	RED	Redfish
<i>Solea solea</i>	SOL	Common sole
<i>Solea</i> spp.	SOX	Sole
<i>Squalus acanthias</i>	DGS	Spurdog/dogfish
<i>Tetrapturus alba</i>	WHM	White marlin
<i>Thunnus alalunga</i>	ALB	Albacore
<i>Thunnus albacares</i>	YFT	Yellowfin tuna
<i>Thunnus obesus</i>	BET	Bigeye tuna
<i>Thunnus thynnus</i>	BFT	Bluefin tuna
<i>Trachurus</i> spp.	JAX	Horse mackerel
<i>Trisopterus esmarki</i>	NOP	Norway pout
<i>Urophycis tenuis</i>	HKW	White hake
<i>Xiphias gladius</i>	SWO	Swordfish

▼ B*ANNEX IA***SKAGERRAK, KATTEGAT, NORTH SEA AND WESTERN
COMMUNITY WATERS ICES areas Vb (EC waters), VI, VII, VIII, IX,
X, CEEAF (EC waters), and French Guyana**

Species: Sandeel <i>Ammodytidae</i>		Zone: IV (Norwegian waters) SAN/04-N.
Denmark	0 ⁽¹⁾	<div style="border: 1px solid black; padding: 5px;"> <p>Article 3 of Regulation (EC) No 847/96 does not apply. Article 4 of Regulation (EC) No 847/96 does not apply. Article 5(2) of Regulation (EC) No 847/96 applies.</p> </div>
United Kingdom	0 ⁽¹⁾	
EC	0 ⁽¹⁾	
TAC	Not relevant	

⁽¹⁾ Subject to review during 2006.

▼ M1

Species: Sandeel <i>Ammodytidae</i>		Zone: IIa (EC waters) ⁽¹⁾ , IIIa, IV (EC waters) ⁽¹⁾ SAN/2A3A4
Denmark	282 989	<div style="border: 1px solid black; padding: 5px;"> <p>Analytical TAC. Article 3 of Regulation (EC) No 847/96 applies. Article 4 of Regulation (EC) No 847/96 applies. Article 5(2) of Regulation (EC) No 847/96 applies.</p> </div>
United Kingdom	6 186	
All Member States	10 825 ⁽²⁾	
EC	300 000	
Norway	0 ⁽³⁾ ⁽⁴⁾	
TAC	300 000	

⁽¹⁾ Excluding waters within six miles of UK baselines at Shetland, Fair Isle and Foula.

⁽²⁾ Except Denmark and the United Kingdom.

⁽³⁾ To be taken in the North Sea.

⁽⁴⁾ Subject to review during 2006.

▼B

Species: Greater silver smelt <i>Argentina silus</i>		Zone: EC and international waters of I and II ARU/1/2.
Germany	31	<div style="border: 1px solid black; padding: 5px;"> Precautionary TAC. Article 3 of Regulation (EC) No 847/96 applies. Article 4 of Regulation (EC) No 847/96 applies. Article 5(2) of Regulation (EC) No 847/96 applies. </div>
France	10	
The Netherlands	25	
United Kingdom	50	
EC	116	
Species: Greater silver smelt <i>Argentina silus</i>		Zone: EC and international waters of III and IV ARU/3/4.
Denmark	1 180	<div style="border: 1px solid black; padding: 5px;"> Precautionary TAC. Article 3 of Regulation (EC) No 847/96 applies. Article 4 of Regulation (EC) No 847/96 applies. Article 5(2) of Regulation (EC) No 847/96 applies. </div>
Germany	12	
France	8	
Ireland	8	
The Netherlands	55	
Sweden	46	
United Kingdom	21	
EC	1 331	
Species: Greater silver smelt <i>Argentina silus</i>		
Germany	405	<div style="border: 1px solid black; padding: 5px;"> Precautionary TAC. Article 3 of Regulation (EC) No 847/96 applies. Article 4 of Regulation (EC) No 847/96 applies. Article 5(2) of Regulation (EC) No 847/96 applies. </div>
France	9	
Ireland	375	
The Netherlands	4 225	
United Kingdom	297	
EC	5 310	

▼ **B**

Species: Tusk <i>Brosme brosme</i>	Zone: EC waters of zones IIa, IV, Vb, VI, VII USK/2A47-C
--	--

EC	Not relevant ⁽¹⁾
Norway	4 000 ⁽²⁾ ⁽³⁾
TAC	Not relevant

Article 3 of Regulation (EC) No 847/96 does not apply.
Article 4 of Regulation (EC) No 847/96 does not apply.
Article 5(2) of Regulation (EC) No 847/96 applies.

⁽¹⁾ Specified in Regulation (EC) No 2270/2004.

⁽²⁾ Of which an incidental catch of other species of 25 % per ship, at any moment, is authorised in Division Vb, and Subareas VI and VII. However, this percentage may be exceeded in the first 24 hours following the beginning of the fishing on a specific ground. The total incidental catch of other species in Division Vb, and Subareas VI and VII shall not exceed 3 000 tonnes.

⁽³⁾ Including ling. The quotas for Norway are ling 6 800 tonnes, and tusk 4 000 tonnes and are interchangeable of up to 2 000 tonnes and may only be fished with long-lines in Division Vb and Subareas VI and VII.

Species: Tusk <i>Brosme brosme</i>	Zone: IV (Norwegian waters) USK/04-N.
--	---

Belgium	1
Denmark	191
Germany	1
France	1
The Netherlands	1
United Kingdom	5
EC	200
TAC	Not relevant

Precautionary TAC.
Article 3 of Regulation (EC) No 847/96 does not apply.
Article 4 of Regulation (EC) No 847/96 does not apply.
Article 5(2) of Regulation (EC) No 847/96 applies.

▼ **M8**

▼ **B**

Species: Herring ⁽¹⁾ <i>Clupea harengus</i>		Zone: IIIa HER/03A.
Denmark	34 052	
Germany	545	
Sweden	35 620	
EC	70 217	
Faroe Islands	500 ⁽²⁾	
TAC	81 600	

Analytical TAC.
Article 3 of Regulation (EC) No 847/96 does not apply.
Article 4 of Regulation (EC) No 847/96 does not apply.
Article 5(2) of Regulation (EC) No 847/96 applies.

⁽¹⁾ Landings of herring taken in fisheries using nets with mesh sizes equal to or larger than 32 mm.

⁽²⁾ To be taken in Skagerrak. Limited in the West by a line from the lighthouse of Hanstholm to the lighthouse of Lindesnes and in the South by a line from the lighthouse of Skagen to the lighthouse of Tistlarna and from there to the nearest coast of Sweden.

Species: Herring ⁽¹⁾ <i>Clupea harengus</i>		Zone: IV north of 53°30' N HER/04A., HER/04B.
Denmark	76 348	
Germany	47 836	
France	22 769	
The Netherlands	57 938	
Sweden	4 627	
United Kingdom	63 333	
EC	272 851	
Norway	50 000 ⁽²⁾	
TAC	454 751	

Analytical TAC.
Article 3 of Regulation (EC) No 847/96 does not apply.
Article 4 of Regulation (EC) No 847/96 does not apply.
Article 5(2) of Regulation (EC) No 847/96 applies.

⁽¹⁾ Landings of herring taken in fisheries using nets with mesh sizes equal to or larger than 32 mm. Member States must inform the Commission of their landings of herring distinguishing between ICES Divisions IVa and IVb.

⁽²⁾ May be taken in EC waters. Catches taken within this quota are to be deducted from Norway's share of the TAC.

Special conditions:

Within the limits of the abovementioned quotas, no more than the quantities given below may be taken in the zones specified:

	Norwegian waters south of 62° N (HER/*04N-)
EC	50 000

▼ B

Species: Herring <i>Clupea harengus</i>	Zone: Norwegian waters south of 62° N HER/04-N.
Sweden	963 ⁽¹⁾
EC	963
TAC	Not relevant

⁽¹⁾ By-catches of cod, haddock, pollack and whiting and saithe shall be counted against the quota for these species.

Species: Herring ⁽¹⁾ <i>Clupea harengus</i>	Zone: IIIa (by-catches) HER/03A-BC
Denmark	17 547
Germany	156
Sweden	2 825
EC	20 528
TAC	20 528

Analytical TAC.
Article 3 of Regulation (EC) No 847/96 does not apply.
Article 4 of Regulation (EC) No 847/96 does not apply.
Article 5(2) of Regulation (EC) No 847/96 applies.

⁽¹⁾ Landings of herring taken in fisheries using nets with mesh sizes smaller than 32 mm.

Species: Herring ⁽¹⁾ <i>Clupea harengus</i>	Zone: IIa (EC waters), IV, VIId (by-catches) HER/2A47DX
Belgium	211
Denmark	40 684
Germany	211
France	211
The Netherlands	211
Sweden	199
United Kingdom	773
EC	42 500
TAC	42 500

Analytical TAC.
Article 3 of Regulation (EC) No 847/96 does not apply.
Article 4 of Regulation (EC) No 847/96 does not apply.
Article 5(2) of Regulation (EC) No 847/96 applies.

⁽¹⁾ Landings of herring taken in fisheries using nets with mesh sizes smaller than 32 mm.

▼ **B**

Species: Herring ⁽¹⁾ <i>Clupea harengus</i>		Zone: IVc ⁽²⁾ , VIId HER/4CXB7D
Belgium	9 122 ⁽³⁾	
Denmark	1 088 ⁽³⁾	
Germany	682 ⁽³⁾	
France	12 347 ⁽³⁾	
The Netherlands	21 998 ⁽³⁾	
United Kingdom	4 786 ⁽³⁾	
EC	50 023	
TAC	454 751	

Analytical TAC.
Article 3 of Regulation (EC) No 847/96 does not apply.
Article 4 of Regulation (EC) No 847/96 does not apply.
Article 5(2) of Regulation (EC) No 847/96 applies.

⁽¹⁾ Landings of herring taken in fisheries using nets with mesh sizes equal to or larger than 32 mm.

⁽²⁾ Except Blackwater stock: reference is to the herring stock in the maritime region of the Thames estuary within a zone delimited by a line running due south from Landguard Point (51°56' N, 1°19.1' E) to latitude 51°33' N and hence due west to a point on the coast of the United Kingdom.

⁽³⁾ Transfers of up to 50% of this quota may be affected to ICES Division IVb. However, such transfers must be notified in advance to the Commission (HER/*04B).

Species: Herring <i>Clupea harengus</i>		Zone: Vb, VIaN ⁽¹⁾ (EC waters), VIb HER/5B6ANB
Germany	3 727	
France	705	
Ireland	5 036	
The Netherlands	3 727	
United Kingdom	20 145	
EC	33 340	
Faroe Islands	660 ⁽²⁾	
TAC	34 000	

Analytical TAC.
Article 3 of Regulation (EC) No 847/96 applies.
Article 4 of Regulation (EC) No 847/96 applies.
Article 5(2) of Regulation (EC) No 847/96 applies.

⁽¹⁾ Reference is to the herring stock in Division VIa, north of 56° 00' N and in that part of VIa which is situated east of 07° 00' W and north of 55° 00' N, excluding the Clyde.

⁽²⁾ This quota may only be taken in Division VIa north of 56° 30' N.

▼B

Species: Herring <i>Clupea harengus</i>		Zone: VIaS ⁽¹⁾ ,VIIbc HER/6AS7BC
Ireland	14 000	<div style="border: 1px solid black; padding: 5px;"> Analytical TAC. Article 3 of Regulation (EC) No 847/96 applies. Article 4 of Regulation (EC) No 847/96 applies. Article 5(2) of Regulation (EC) No 847/96 applies. </div>
The Netherlands	1 400	
EC	15 400	
TAC	15 400	

⁽¹⁾ Reference is to the herring stock in ICES Division VIa, south of 56°00' N and west of 07°00' W.

Species: Herring <i>Clupea harengus</i>		Zone: VIa Clyde ⁽¹⁾ HER/06ACL.
United Kingdom	800	<div style="border: 1px solid black; padding: 5px;"> Precautionary TAC. Article 3 of Regulation (EC) No 847/96 applies. Article 4 of Regulation (EC) No 847/96 applies. Article 5(2) of Regulation (EC) No 847/96 applies. </div>
EC	800	
TAC		

⁽¹⁾ Clyde stock: reference is to the herring stock in the maritime area situated to the north-east of a rhumb line drawn between the Mull of Kintyre and Corsewall Point.

Species: Herring <i>Clupea harengus</i>		Zone: VIIa ⁽¹⁾ HER/07A/MM
Ireland	1 250	<div style="border: 1px solid black; padding: 5px;"> Analytical TAC. Article 3 of Regulation (EC) No 847/96 applies. Article 4 of Regulation (EC) No 847/96 applies. Article 5(2) of Regulation (EC) No 847/96 applies. </div>
United Kingdom	3 550	
EC	4 800	
TAC	4 800	

⁽¹⁾ Division VIIa is reduced by the area added to the Divisions VIIg,h,j,k bounded:

- to the north by latitude 52° 30'N
- to the south by latitude 52° 00'N
- to the west by the coast of Ireland
- to the east by the coast of the United Kingdom

▼ **B**

Species: Herring <i>Clupea harengus</i>		Zone: VIIe,f HER/7EF.
France	500	<div style="border: 1px solid black; padding: 5px;"> Precautionary TAC Article 3 of Regulation (EC) No 847/96 applies. Article 4 of Regulation (EC) No 847/96 applies. Article 5(2) of Regulation (EC) No 847/96 applies. </div>
United Kingdom	500	
EC	1 000	
TAC	1 000	

Species: Herring <i>Clupea harengus</i>		Zone: VIIg,h,j,k ⁽¹⁾ HER/7G-K.
Germany	123	<div style="border: 1px solid black; padding: 5px;"> Analytical TAC. Article 3 of Regulation (EC) No 847/96 applies. Article 4 of Regulation (EC) No 847/96 applies. Article 5(2) of Regulation (EC) No 847/96 applies. </div>
France	682	
Ireland	9 549	
The Netherlands	682	
United Kingdom	14	
EC	11 050	
TAC	11 050	

⁽¹⁾ Divisions VIIg,h,j,k are increased by the area bounded:

- to the north by latitude 52° 30'N,
- to the south by latitude 52° 00'N,
- to the west by the coast of Ireland,
- to the east by the coast of the United Kingdom.

Species: Anchovy <i>Engraulis encrasicolus</i>		Zone: VIII ANE/08.
Spain	4 500 ⁽¹⁾	<div style="border: 1px solid black; padding: 5px;"> Precautionary TAC. Article 3 of Regulation (EC) No 847/96 does not apply. Article 4 of Regulation (EC) No 847/96 does not apply. Article 5(2) of Regulation (EC) No 847/96 applies. </div>
France	500 ⁽¹⁾	
EC	5 000 ⁽¹⁾	
TAC	5 000 ⁽¹⁾	

⁽¹⁾ May not be fished before 1 March 2006. The TAC may be revised in the light of new scientific advice in 2006

▼ **B**

Species: Anchovy <i>Engraulis encrasicolus</i>		Zone: IX, X, CECAF 34.1.1 (EC waters) ANE/9/3411
Spain	3 826	<div style="border: 1px solid black; padding: 5px;"> Precautionary TAC. Article 3 of Regulation (EC) No 847/96 does not apply. Article 4 of Regulation (EC) No 847/96 does not apply. Article 5(2) of Regulation (EC) No 847/96 applies. </div>
Portugal	4 174	
EC	8 000	
TAC	8 000	
Species: Cod <i>Gadus morhua</i>		Zone: Skagerrak COD/03AN.
Belgium	8	<div style="border: 1px solid black; padding: 5px;"> Analytical TAC. Article 3 of Regulation (EC) No 847/96 does not apply. Article 4 of Regulation (EC) No 847/96 does not apply. Article 5(2) of Regulation (EC) No 847/96 applies. </div>
Denmark	2 652	
Germany	66	
The Netherlands	17	
Sweden	464	
EC	3 207	
TAC	3 315	
Species: Cod <i>Gadus morhua</i>		Zone: Kattegat COD/03AS.
Denmark	524	<div style="border: 1px solid black; padding: 5px;"> Analytical TAC. Article 3 of Regulation (EC) No 847/96 does not apply. Article 4 of Regulation (EC) No 847/96 does not apply. Article 5(2) of Regulation (EC) No 847/96 applies. </div>
Germany	11	
Sweden	315	
EC	850	
TAC	850	

▼B

Species: Cod <i>Gadus morhua</i>	Zone: IIa (EC waters), IV COD/2AC4.
Belgium	686
Denmark	3 940
Germany	2 498
France	847
The Netherlands	2 226
Sweden	26
United Kingdom	9 037
EC	19 260
Norway	3 945 ⁽¹⁾
TAC	23 205

Analytical TAC.
Article 3 of Regulation (EC) No 847/96 does not apply.
Article 4 of Regulation (EC) No 847/96 does not apply.
Article 5(2) of Regulation (EC) No 847/96 applies.

⁽¹⁾ May be taken in EC waters. Catches taken within this quota are to be deducted from Norway's share of the TAC.

Special conditions:

Within the limits of the abovementioned quotas, no more than the quantities given below may be taken in the zones specified:

	Norwegian waters (COD/*04N-)
EC	16 740

Species: Cod <i>Gadus morhua</i>	Zone: Norwegian waters south of 62° N COD/04-N.
Sweden	382
EC	382
TAC	Not relevant

Analytical TAC
Article 3 of Regulation (EC) No 847/96 does not apply.
Article 4 of Regulation (EC) No 847/96 does not apply.
Article 5(2) of Regulation (EC) No 847/96 applies.

▼ B

Species: Cod <i>Gadus morhua</i>	Zone: Vb (EC waters), VI, XII, XIV COD/561214
Belgium	1
Germany	9
France	97
Ireland	138
United Kingdom	368
EC	613
TAC	613

Analytical TAC.
Article 3 of Regulation (EC) No 847/96 applies.
Article 4 of Regulation (EC) No 847/96 applies.
Article 5(2) of Regulation (EC) No 847/96 applies.

Special conditions:

Within the limits of the abovementioned quotas, no more than the quantities given below may be taken in the zones specified:

	Vb (EC zone), VIa (COD/*5BC6A)
Belgium	1
Germany	9
France	93
Ireland	132
United Kingdom	353
EC	588

Species: Cod <i>Gadus morhua</i>	Zone: VIIa COD/07A.
Belgium	24
France	67
Ireland	1 204
The Netherlands	6
United Kingdom	527
EC	1 828
TAC	1 828

Analytical TAC.
Article 3 of Regulation (EC) No 847/96 applies.
Article 4 of Regulation (EC) No 847/96 applies.
Article 5(2) of Regulation (EC) No 847/96 applies.

▼ **B**

Species: Cod <i>Gadus morhua</i>	Zone: VIIb-k, VIII, IX, X, CECAF 34.1.1 (EC waters) COD/7X7A34
Belgium	236
France	4 053
Ireland	818
The Netherlands	34
United Kingdom	439
EC	5 580
TAC	5 580
<div style="border: 1px solid black; padding: 5px;"> Analytical TAC. Article 3 of Regulation (EC) No 847/96 applies. Article 4 of Regulation (EC) No 847/96 applies. Article 5(2) of Regulation (EC) No 847/96 applies. </div>	
Species: Megrims <i>Lepidorhombus</i> spp.	Zone: IIa (EC waters), IV (EC waters) LEZ/2AC4-C
Belgium	5
Denmark	4
Germany	4
France	28
The Netherlands	22
United Kingdom	1 677
EC	1 740
TAC	1 740
<div style="border: 1px solid black; padding: 5px;"> Precautionary TAC. Article 3 of Regulation (EC) No 847/96 applies. Article 4 of Regulation (EC) No 847/96 applies. Article 5(2) of Regulation (EC) No 847/96 applies. </div>	
Species: Megrims <i>Lepidorhombus</i> spp.	Zone: Vb (EC waters), VI, XII, XIV LEZ/561214
Spain	327
France	1 277
Ireland	373
United Kingdom	903
EC	2 880
TAC	2 880
<div style="border: 1px solid black; padding: 5px;"> Precautionary TAC. Article 3 of Regulation (EC) No 847/96 applies. Article 4 of Regulation (EC) No 847/96 applies. Article 5(2) of Regulation (EC) No 847/96 applies. </div>	

▼ B

Species: Megrim <i>Lepidorhombus</i> spp.		Zone: VII LEZ/07.
Belgium	494	<div style="border: 1px solid black; padding: 5px;"> Analytical TAC. Article 3 of Regulation (EC) No 847/96 applies. Article 4 of Regulation (EC) No 847/96 applies. Article 5(2) of Regulation (EC) No 847/96 applies. </div>
Spain	5 490	
France	6 663	
Ireland	3 029	
United Kingdom	2 624	
EC	18 300	
TAC	18 300	
Species: Megrim <i>Lepidorhombus</i> spp.		Zone: VIIIabde LEZ/8ABDE.
Spain	1 176	<div style="border: 1px solid black; padding: 5px;"> Analytical TAC. Article 3 of Regulation (EC) No 847/96 applies. Article 4 of Regulation (EC) No 847/96 applies. Article 5(2) of Regulation (EC) No 847/96 applies. </div>
France	949	
EC	2 125	
TAC	2 125	
Species: Megrim <i>Lepidorhombus</i> spp.		Zone: VIIIc, IX, X, CEEAF 34.1.1 (EC waters) LEZ/8C3411
Spain	1 171	<div style="border: 1px solid black; padding: 5px;"> Analytical TAC. Article 3 of Regulation (EC) No 847/96 applies. Article 4 of Regulation (EC) No 847/96 applies. Article 5(2) of Regulation (EC) No 847/96 applies. </div>
France	59	
Portugal	39	
EC	1 269	
TAC	1 269	

▼ B

Species: Dab and flounder <i>Limanda limanda</i> and <i>Platichthys flesus</i>		Zone: IIa (EC waters), IV (EC waters) D/F/2AC4-C
Belgium	466	<div style="border: 1px solid black; padding: 5px;"> Precautionary TAC. Article 3 of Regulation (EC) No 847/96 applies. Article 4 of Regulation (EC) No 847/96 applies. Article 5(2) of Regulation (EC) No 847/96 applies. </div>
Denmark	1 752	
Germany	2 627	
France	182	
The Netherlands	10 594	
Sweden	6	
United Kingdom	1 473	
EC	17 100	
TAC	17 100	

Species: Anglerfish <i>Lophiidae</i>		Zone: IIa (EC waters), IV (EC waters) ANF/2AC4-C
Belgium	365	<div style="border: 1px solid black; padding: 5px;"> Precautionary TAC. Article 3 of Regulation (EC) No 847/96 applies. Article 4 of Regulation (EC) No 847/96 applies. Article 5(2) of Regulation (EC) No 847/96 applies. </div>
Denmark	804	
Germany	393	
France	75	
The Netherlands	276	
Sweden	9	
United Kingdom	8 392	
EC	10 314 ⁽¹⁾	
TAC	10 314 ⁽¹⁾	

⁽¹⁾ Preliminary TAC. The final TAC will be established in the light of new scientific advice during the first half of 2006.

▼ B

Species: Anglerfish <i>Lophiidae</i>		Zone: IV (Norwegian waters) ANF/04-N.
Belgium	53	
Denmark	1 343	
Germany	21	
The Netherlands	19	
United Kingdom	314	
EC	1 750	
TAC	Not relevant	

► **C1** Article 3 of Regulation (EC) No 847/96 does not apply.
Article 4 of Regulation (EC) No 847/96 does not apply.
Article 5(2) of Regulation (EC) No 847/96 applies. ◀

Species: Anglerfish <i>Lophiidae</i>		Zone: ► C1 Vb (EC waters), VI, XII, XIV ANF/561214 ◀
Belgium	168	
Germany	192	
Spain	180	
France	2 073	
Ireland	469	
The Netherlands	162	
United Kingdom	1 442	
EC	4 686 ⁽¹⁾	
TAC	4 686 ⁽¹⁾	

Analytical TAC.
Article 3 of Regulation (EC) No 847/96 applies.
Article 4 of Regulation (EC) No 847/96 applies.
Article 5(2) of Regulation (EC) No 847/96 applies.

⁽¹⁾ Preliminary TAC. The final TAC will be established in the light of new scientific advice during the first half of 2006.

▼ **B**

Species: Anglerfish <i>Lophiidae</i>	Zone: VII ANF/07.
Belgium	2 445 ⁽¹⁾
Germany	273 ⁽¹⁾
Spain	971 ⁽¹⁾
France	15 688 ⁽¹⁾
Ireland	2 005 ⁽¹⁾
The Netherlands	317 ⁽¹⁾
United Kingdom	4 757 ⁽¹⁾
EC	26 456 ⁽¹⁾
TAC	26 456 ⁽¹⁾

Analytical TAC.
Article 3 of Regulation (EC) No 847/96 applies.
Article 4 of Regulation (EC) No 847/96 applies.
Article 5(2) of Regulation (EC) No 847/96 applies.

⁽¹⁾ Of which up to 5% may be fished in Zone VIII a,b,d,e

Species: Anglerfish <i>Lophiidae</i>	Zone: VIIIa,b,d,e ANF/8ABDE.
Spain	1 137
France	6 325
EC	7 462
TAC	7 462

Analytical TAC.
Article 3 of Regulation (EC) No 847/96 applies.
Article 4 of Regulation (EC) No 847/96 applies.
Article 5(2) of Regulation (EC) No 847/96 applies.

Species: Anglerfish <i>Lophiidae</i>	Zone: VIIIc, IX, X, CECAF 34.1.1 (EC waters) ANF/8C3411
Spain	1 629
France	2
Portugal	324
EC	1 955
TAC	1 955

Analytical TAC.
► **C1** Article 3 of Regulation (EC) No 847/96 applies.
Article 4 of Regulation (EC) No 847/96 applies.
Article 5(2) of Regulation (EC) No 847/96 applies. ◀

▼ **B**

Species: Haddock <i>Melanogrammus aeglefinus</i>		Zone: IIIa, IIIbcd (EC waters) HAD/3A/BCD
Belgium	15	
Denmark	2 468	
Germany	157	
The Netherlands	3	
Sweden	292	
EC	2 935 ⁽¹⁾	
TAC	3 189	

Analytical TAC.
 ► **C1** Article 3 of Regulation (EC) No 847/96 does not apply.
 Article 4 of Regulation (EC) No 847/96 does not apply.
 Article 5(2) of Regulation (EC) No 847/96 applies. ◀

⁽¹⁾ Excluding an estimated 120 tonnes of industrial by-catch.

Species: Haddock <i>Melanogrammus aeglefinus</i>		Zone: IIa (EC waters), IV HAD/2AC4.
Belgium	472	
Denmark	3 248	
Germany	2 067	
France	3 602	
The Netherlands	354	
Sweden	229	
United Kingdom	34 574	
EC	44 546 ⁽¹⁾	
Norway	7 016	
TAC	51 850	

Analytical TAC.
 Article 3 of Regulation (EC) No 847/96 does not apply.
 Article 4 of Regulation (EC) No 847/96 does not apply.
 Article 5(2) of Regulation (EC) No 847/96 applies.

⁽¹⁾ Excluding an estimate of 289 tonnes of industrial by-catch. **Special conditions:**

Within the limits of the abovementioned quotas, no more than the quantities given below may be taken in the zones specified:

	Norwegian waters (HAD/*04N-)
EC	33 350

▼ B

Species: Haddock <i>Melanogrammus aeglefinus</i>		Zone: Norwegian waters, south of 62° N HAD/04-N.
Sweden	707	<div style="border: 1px solid black; padding: 5px;"> Analytical TAC. Article 3 of Regulation (EC) No 847/96 does not apply. Article 4 of Regulation (EC) No 847/96 does not apply. Article 5(2) of Regulation (EC) No 847/96 applies. </div>
EC	707	
TAC	Not relevant	
Species: Haddock <i>Melanogrammus aeglefinus</i>		Zone: Vlb, XII, XIV HAD/6B1214
Belgium	1	<div style="border: 1px solid black; padding: 5px;"> Analytical TAC. Article 3 of Regulation (EC) No 847/96 applies. Article 4 of Regulation (EC) No 847/96 applies. Article 5(2) of Regulation (EC) No 847/96 applies. </div>
Germany	2	
France	66	
Ireland	47	
United Kingdom	481	
EC	597	
TAC	597	
Species: Haddock <i>Melanogrammus aeglefinus</i>		Zone: Vb, VIa (EC waters) HAD/5BC6A.
Belgium	18	<div style="border: 1px solid black; padding: 5px;"> Analytical TAC. Article 3 of Regulation (EC) No 847/96 applies. Article 4 of Regulation (EC) No 847/96 applies. Article 5(2) of Regulation (EC) No 847/96 applies. </div>
Germany	21	
France	862	
Ireland	615	
United Kingdom	6 294	
EC	7 810	
TAC	7 810	

▼ B

Species: Haddock <i>Melanogrammus aeglefinus</i>	Zone: VII , VIII, IX, X, CECAF 34.1.1 (EC waters) HAD/7/3411
Belgium	128
France	7 680
Ireland	2 560
United Kingdom	1 152
EC	11 520
TAC	11 520

Precautionary TAC.
Article 3 of Regulation (EC) No 847/96 applies.
Article 4 of Regulation (EC) No 847/96 applies.
Article 5(2) of Regulation (EC) No 847/96 applies.

Special conditions:

Within the limits of the abovementioned quotas, no more than the quantities given below may be taken in division:

	VIIa (HAD/*07A.)
Belgium	20
France	92
Ireland	552
United Kingdom	611
EC	1 275

When reporting to the Commission the uptake of their quotas, Member States shall specify quantities taken in VIIa. Landings of haddock caught in Division VIIa shall be prohibited when the totality of such landings exceeds 1 275 tonnes.

Species: Whiting <i>Merlangius merlangus</i>	Zone: IIIa WHG/03A.
Denmark	819
The Netherlands	3
Sweden	88
EC	910 ⁽¹⁾
TAC	1 500

Precautionary TAC.
Article 3 of Regulation (EC) No 847/96 does not apply.
Article 4 of Regulation (EC) No 847/96 does not apply.
Article 5(2) of Regulation (EC) No 847/96 applies.

⁽¹⁾ Excluding an estimated 563 tonnes of industrial by-catch.

▼ **M8**

Species:	whiting <i>Merlangius merlangus</i>	Zone:	Ia (EC waters), IV WHG/2AC4.
Belgium	594	Precautionary TAC. Article 3 of Regulation (EC) No 847/96 does not apply. Article 4 of Regulation (EC) No 847/96 does not apply. Article 5(2) of Regulation (EC) No 847/96 applies.	
Denmark	2 568		
Germany	668		
France	3 860		
The Netherlands	1 484		
Sweden	3		
United Kingdom	10 243		
EC	19 420 ⁽¹⁾		
Norway	2 380 ⁽²⁾		
TAC	23 800		

⁽¹⁾ Excluding an estimated 2 000 tonnes of industrial by-catch.

⁽²⁾ May be taken in EC waters. Catches taken within this quota are to be deducted from Norway's share of the TAC.

Special conditions:

Within the limits of the abovementioned quotas, no more than the quantities given below may be taken in the zones specified.

	Norwegian waters (WHG/*04N-)
EC	14 512

▼ **B**

Species: Whiting <i>Merlangius merlangus</i>	Zone: Vb (EC waters), VI, XII, XIV WHG/561214	
Germany	8	Analytical TAC. Article 3 of Regulation (EC) No 847/96 applies. Article 4 of Regulation (EC) No 847/96 applies. Article 5(2) of Regulation (EC) No 847/96 applies.
France	166	
Ireland	406	
United Kingdom	780	
EC	1 360	
TAC	1 360	

▼ B

Species: Whiting <i>Merlangius merlangus</i>		Zone: VIIa WHG/07A.
Belgium	1	<div style="border: 1px solid black; padding: 5px;"> Analytical TAC. Article 3 of Regulation (EC) No 847/96 applies. Article 4 of Regulation (EC) No 847/96 applies. Article 5(2) of Regulation (EC) No 847/96 applies. </div>
France	15	
Ireland	252	
The Netherlands	0	
United Kingdom	169	
EC	437	
TAC	437	
Species: Whiting <i>Merlangius merlangus</i>		Zone: VIIb-k WHG/7X7A.
Belgium	195	<div style="border: 1px solid black; padding: 5px;"> Analytical TAC. Article 3 of Regulation (EC) No 847/96 applies. Article 4 of Regulation (EC) No 847/96 applies. Article 5(2) of Regulation (EC) No 847/96 applies. </div>
France	11 964	
Ireland	5 544	
The Netherlands	97	
United Kingdom	2 140	
EC	19 940	
TAC	19 940	
Species: Whiting <i>Merlangius merlangus</i>		Zone: VIII WHG/08.
Spain	1 440	<div style="border: 1px solid black; padding: 5px;"> Precautionary TAC. Article 3 of Regulation (EC) No 847/96 applies. Article 4 of Regulation (EC) No 847/96 applies. Article 5(2) of Regulation (EC) No 847/96 applies. </div>
France	2 160	
EC	3 600	
TAC	3 600	

▼ **B**

Species: Whiting <i>Merlangius merlangus</i>		Zone: IX, X, CECAF 34.1.1 (EC waters) WHG/9/3411
Portugal	653	<div style="border: 1px solid black; padding: 5px;"> Precautionary TAC. Article 3 of Regulation (EC) No 847/96 applies. Article 4 of Regulation (EC) No 847/96 applies. Article 5(2) of Regulation (EC) No 847/96 applies. </div>
EC	653	
TAC	653	
Species: Whiting and Pollack <i>Merlangius merlangus</i> and <i>Pollachius pollachius</i>		Zone: Norwegian waters, south of 62° N W/P/04-N.
Sweden	190	<div style="border: 1px solid black; padding: 5px;"> Article 3 of Regulation (EC) No 847/96 does not apply. Article 4 of Regulation (EC) No 847/96 does not apply. Article 5(2) of Regulation (EC) No 847/96 applies. </div>
EC	190	
TAC	Not relevant	
Species: Hake <i>Merluccius merluccius</i>		Zone: IIIa, IIIbcd (EC waters) HKE/3A/BCD
Denmark	1 219	<div style="border: 1px solid black; padding: 5px;"> Analytical TAC. Article 3 of Regulation (EC) No 847/96 applies. Article 4 of Regulation (EC) No 847/96 applies. Article 5(2) of Regulation (EC) No 847/96 applies. </div>
Sweden	104	
EC	1 323	
TAC	1 323 ⁽¹⁾	

⁽¹⁾ Within an overall TAC of 43 900 tonnes for the northern stock of hake.

▼ **B**

Species: Hake <i>Merluccius merluccius</i>	Zone: IIa (EC waters), IV (EC waters) HKE/2AC4-C
Belgium	22
Denmark	891
Germany	102
France	197
The Netherlands	51
United Kingdom	278
EC	1 541
TAC	1 541 ⁽¹⁾

Analytical TAC.
Article 3 of Regulation (EC) No 847/96 applies.
Article 4 of Regulation (EC) No 847/96 applies.
Article 5(2) of Regulation (EC) No 847/96 applies.

⁽¹⁾ Within an overall TAC of 43 900 tonnes for the northern stock of hake.

Species: Hake <i>Merluccius merluccius</i>	Zone: Vb (EC waters), VI, VII, XII, XIV HKE/571214
Belgium	226
Spain	7 257
France	11 206
Ireland	1 358
The Netherlands	146
United Kingdom	4 424
EC	24 617
TAC	24 617 ⁽¹⁾

Analytical TAC.
Article 3 of Regulation (EC) No 847/96 applies.
Article 4 of Regulation (EC) No 847/96 applies.
Article 5(2) of Regulation (EC) No 847/96 applies.

⁽¹⁾ Within an overall TAC of 43 900 tonnes for the northern stock of hake.

Special conditions:

Within the limits of the abovementioned quotas, no more than the quantities given below may be taken in the zones specified:

	VIIIabde (HKE/ *8ABDE)
Belgium	29
Spain	1 171
France	1 171
Ireland	146
The Netherlands	15
United Kingdom	658
EC	3 190

▼ B

Species: Hake <i>Merluccius merluccius</i>	Zone: VIIIa,b,d,e HKE/8ABDE.
Belgium	7
Spain	5 052
France	11 345
The Netherlands	15
EC	16 419
TAC	16 419 ⁽¹⁾

Analytical TAC.
Article 3 of Regulation (EC) No 847/96 applies.
Article 4 of Regulation (EC) No 847/96 applies.
Article 5(2) of Regulation (EC) No 847/96 applies.

⁽¹⁾ Within an overall TAC of 43 900 tonnes for the northern stock of hake.

Special conditions:

Within the limits of the abovementioned quotas, no more than the quantities given below may be taken in the zones specified:

	Vb (EC waters), VI, VII, XII, XIV (HKE/ *57-14)
Belgium	1
Spain	1 463
France	2 635
The Netherlands	4
EC	4 103

Species: Hake <i>Merluccius merluccius</i>	Zone: VIIIc, IX, X, CEECAF 34.1.1 (EC waters) HKE/8C3411
Spain	4 263
France	409
Portugal	1 989
EC	6 661
TAC	6 661

Analytical TAC.
Article 3 of Regulation (EC) No 847/96 applies.
Article 4 of Regulation (EC) No 847/96 applies.
Article 5(2) of Regulation (EC) No 847/96 applies.

▼ **B**

Species: Blue whiting <i>Micromesistius poutassou</i>		Zone: IV (Norwegian waters) WHB/04-N.
Denmark	18 050	Analytical TAC. ► C1 Article 3 of Regulation (EC) No 847/96 does not apply. Article 4 of Regulation (EC) No 847/96 does not apply. Article 5(2) of Regulation (EC) No 847/96 applies. ◀
United Kingdom	950	
EC	19 000	
TAC	2 000 000	

▼ **M2**

Species: Blue whiting <i>Micromesistius poutassou</i>		Zone: I, II, III, IV, V, VI, VII, VIIIabde, XII and XIV (EC and international waters) WHB/1 X 14
Denmark	52 529 ⁽⁵⁾ ⁽⁶⁾	Analytical TAC. Article 3 of Regulation (EC) No 847/96 applies. Article 4 of Regulation (EC) No 847/96 applies. Article 5(2) of Regulation (EC) No 847/96 applies.
Germany	20 424 ⁽⁵⁾ ⁽⁶⁾	
Spain	44 533 ⁽⁵⁾ ⁽⁶⁾	
France	36 556 ⁽⁵⁾ ⁽⁶⁾	
Ireland	40 677 ⁽⁵⁾ ⁽⁶⁾	
The Netherlands	64 053 ⁽⁵⁾ ⁽⁶⁾	
Portugal	4 137 ⁽⁵⁾ ⁽⁶⁾	
Sweden	12 994 ⁽⁵⁾ ⁽⁶⁾	
United Kingdom	68 161 ⁽⁵⁾ ⁽⁶⁾	
EC	344 063 ⁽⁵⁾ ⁽⁶⁾	
Norway	152 442 ⁽¹⁾ ⁽²⁾	
Faeroe Islands	45 000 ⁽³⁾ ⁽⁴⁾	
TAC	2 000 000	

⁽¹⁾ May be fished in EC waters in areas II, IVa, VIa north of 56° 30' N, VIb, VII west of 12° W.

⁽²⁾ Of which up to 500 tonnes may consist of argentine (*Argentina spp.*).

⁽³⁾ Catches of blue whiting may include unavoidable catches of argentine (*Argentina spp.*).

⁽⁴⁾ May be fished in EC waters in areas VIa north of 56° 30' N, VIb, VII west of 12° W.

⁽⁵⁾ Of which up to 61 % may be fished in Norwegian Economic Zone or in the fishery zone around Jan Mayen.

⁽⁶⁾ Of which up to 2,9 % may be fished in Faeroese waters, zone Vb.

Species: Blue whiting <i>Micromesistius poutassou</i>		Zone: EC waters of II, IVa ⁽²⁾ , VIa ⁽³⁾ , VIb, VII ⁽⁴⁾ WHB/24A567
Faeroe Islands	10 000 ⁽¹⁾	
TAC	2 000 000	

⁽¹⁾ To be counted against Faeroe Islands' catch limits established under the Coastal States arrangement.

⁽²⁾ The catch in zone IVa shall be no more than 2 500 tonnes.

⁽³⁾ North of 56° 30' N.

⁽⁴⁾ West of 12° W.

▼**B**

Species: Blue whiting <i>Micromesistius poutassou</i>		Zone: VIIIc, IX, X, CEEAF 34.1.1 (EC waters) WHB/8C3411
Spain	46 795 ⁽¹⁾	
Portugal	11 699 ⁽¹⁾	
EC	58 494 ⁽¹⁾	
TAC	2 000 000	

Analytical TAC.
Article 3 of Regulation (EC) No 847/96 applies.
Article 4 of Regulation (EC) No 847/96 applies.
Article 5(2) of Regulation (EC) No 847/96 applies.

⁽¹⁾ Of which up to 61% may be fished in Norwegian Economic Zone or in the fishery zone around Jan Mayen

Species: Blue whiting <i>Micromesistius poutassou</i>		Zone: EC waters of II, IVa ⁽²⁾ , V, VI ⁽³⁾ , VII ⁽⁴⁾ WHB/24A567
Norway	320 189 ⁽¹⁾	
TAC	2 000 000	

⁽¹⁾ To be counted against Norway's catch limits established under the Coastal States arrangement.

⁽²⁾ The catch in zone IVa shall be no more than 80 047 tonnes.

⁽³⁾ North of 56°30'N

⁽⁴⁾ West of 12°W

Species: Lemon sole and witch <i>Microstomus kitt</i> and <i>Glyptocephalus cynoglossus</i>		Zone: IIa (EC waters), IV (EC waters) L/W/2AC4-C
Belgium	334	
Denmark	921	
Germany	118	
France	252	
The Netherlands	767	
Sweden	10	
United Kingdom	3 773	
EC	6 175	
TAC	6 175	

Precautionary TAC.
Article 3 of Regulation (EC) No 847/96 applies.
Article 4 of Regulation (EC) No 847/96 applies.
Article 5(2) of Regulation (EC) No 847/96 applies.

▼ **B**

Species: Blue ling <i>Molva dypterygia</i>	Zone: IIa, IV, Vb, VI, VII (EC waters) BLI/2A47-C
--	---

EC	Not relevant ⁽¹⁾
Norway	200
TAC	Not relevant

⁽¹⁾ Specified in Regulation (EC) No 2270/2004.

Species: Blue ling <i>Molva dypterygia</i>	Zone: EC waters of zones VIa (north of 56°30' N), VIb BLI/6AN6B.
--	---

Faroe Islands	400 ⁽¹⁾
TAC	Not relevant

⁽¹⁾ To be fished by trawl, by-catches of roundnose grenadier and black scabbard fish to be counted against this quota.

Species: Ling <i>Molva molva</i>	Zone: EC and international waters of I and II LIN/1/2.
--	--

Denmark	10
Germany	10
France	10
United Kingdom	10
Others ⁽¹⁾	5
EC	45

Precautionary TAC.
Article 3 of Regulation (EC) No 847/96 applies.
Article 4 of Regulation (EC) No 847/96 applies.
Article 5(2) of Regulation (EC) No 847/96 applies.

⁽¹⁾ Exclusively for by-catches. No directed fisheries are permitted under this quota.

Species: Ling <i>Molva molva</i>	Zone: III (EC waters) LIN/03.
--	---

Belgium	10
Denmark	76
Germany	10
Sweden	30
United Kingdom	10
EC	136

Precautionary TAC.
Article 3 of Regulation (EC) No 847/96 applies.
Article 4 of Regulation (EC) No 847/96 applies.
Article 5(2) of Regulation (EC) No 847/96 applies.

▼ **B**

Species: Ling <i>Molva molva</i>	Zone: IV (EC waters) LIN/04.
Belgium	25
Denmark	397
Germany	246
France	221
The Netherlands	8
Sweden	17
United Kingdom	3 052
EC	3 966
<div style="border: 1px solid black; padding: 5px; width: fit-content; margin: 0 auto;"> Precautionary TAC. Article 3 of Regulation (EC) No 847/96 applies. Article 4 of Regulation (EC) No 847/96 applies. Article 5(2) of Regulation (EC) No 847/96 applies. </div>	
Species: Ling <i>Molva molva</i>	Zone: V(EC and international waters) LIN/05.
Belgium	12
Denmark	9
Germany	9
France	9
United Kingdom	9
EC	48
<div style="border: 1px solid black; padding: 5px; width: fit-content; margin: 0 auto;"> Precautionary TAC. Article 3 of Regulation (EC) No 847/96 applies. Article 4 of Regulation (EC) No 847/96 applies. Article 5(2) of Regulation (EC) No 847/96 applies. </div>	
Species: Ling <i>Molva molva</i>	Zone: EC and international waters of VI, VII,VIII,IX, X, XII, XIV LIN/6X14.
Belgium	56
Denmark	10
Germany	204
Spain	4 124
France	4 397
Ireland	1 102
Portugal	10
United Kingdom	5 063
EC	14 966
<div style="border: 1px solid black; padding: 5px; width: fit-content; margin: 0 auto;"> Precautionary TAC. Article 3 of Regulation (EC) No 847/96 applies. Article 4 of Regulation (EC) No 847/96 applies. Article 5(2) of Regulation (EC) No 847/96 applies. </div>	

▼ B

Species: Ling <i>Molva molva</i>	Zone: EC waters of zones IIa, IV, Vb, VI, VII LIN/2A47-C
EC	Not relevant ⁽¹⁾
Norway	6 800 ⁽²⁾ ⁽³⁾
Faroe Islands	300 ⁽⁴⁾ ⁽⁵⁾
TAC	Not relevant

Precautionary TAC.
Article 3 of Regulation (EC) No 847/96 applies.
Article 4 of Regulation (EC) No 847/96 applies.
Article 5(2) of Regulation (EC) No 847/96 applies.

⁽¹⁾ Specified in Regulation (EC) No 2270/2004.

⁽²⁾ Of which an incidental catch of other species of 25% per ship, at any moment, is authorised in Subareas Vb, VI and VII. However, this percentage may be exceeded in the first 24 hours following the beginning of the fishing on a specific ground. The total incidental catch of other species in Subareas Vb, VI and VII shall not exceed 3 000 tonnes.

⁽³⁾ Including tusk. The quotas for Norway are ling 6 800 tonnes, and tusk 4 000 tonnes and are interchangeable of up to 2 000 tonnes and may only be fished with longlines in ICES Division Vb and Subareas VI and VII.

⁽⁴⁾ Including blue ling and tusk. Only to be taken by long lines in VIa (north of 56°30' N) and VIIb.

⁽⁵⁾ Of which an incidental catch of other species of 20% per ship, at any moment, is authorised in Subarea VI. However, this percentage may be exceeded in the first 24 hours following the beginning of the fishing on a specific ground. The total incidental catch of other species in Subarea VI shall not exceed 75 tonnes.

Species: Ling <i>Molva molva</i>	Zone: IV (Norwegian waters) LIN/04-N.
Belgium	7
Denmark	878
Germany	25
France	10
The Netherlands	1
United Kingdom	79
EC	1 000
TAC	Not relevant

Precautionary TAC.
Article 3 of Regulation (EC) No 847/96 applies.
Article 4 of Regulation (EC) No 847/96 applies.
Article 5(2) of Regulation (EC) No 847/96 applies.

▼ B

Species: Norway lobster <i>Nephrops norvegicus</i>		Zone: IIIa (EC waters), IIIbcd (EC waters) NEP/3A/BCD
Denmark	3 800	<div style="border: 1px solid black; padding: 5px;"> Analytical TAC Article 3 of Regulation (EC) No 847/96 applies. Article 4 of Regulation (EC) No 847/96 applies. Article 5(2) of Regulation (EC) No 847/96 applies. </div>
Germany	11	
Sweden	1 359	
EC	5 170	
TAC	5 170	
Species: Norway lobster <i>Nephrops norvegicus</i>		Zone: IIa (EC waters), IV (EC waters) NEP/2AC4-C
Belgium	1 472	<div style="border: 1px solid black; padding: 5px;"> Analytical TAC. Article 3 of Regulation (EC) No 847/96 applies. Article 4 of Regulation (EC) No 847/96 applies. Article 5(2) of Regulation (EC) No 847/96 applies. </div>
Denmark	1 472	
Germany	22	
France	43	
The Netherlands	758	
United Kingdom	24 380	
EC	28 147	
TAC	28 147	
Species: Norway lobster <i>Nephrops norvegicus</i>		Zone: IV (Norwegian waters) NEP/04-N.
Denmark	1 230	<div style="border: 1px solid black; padding: 5px;"> Analytical TAC Article 3 of Regulation (EC) No 847/96 does not apply. Article 4 of Regulation (EC) No 847/96 does not apply. Article 5(2) of Regulation (EC) No 847/96 applies. </div>
Germany	1	
United Kingdom	69	
EC	1 300	
TAC	Not relevant	

▼ **B**

Species: Norway lobster <i>Nephrops norvegicus</i>		Zone: Vb (EC waters), VI NEP/5BC6.
Spain	36	<div style="border: 1px solid black; padding: 5px;"> Analytical TAC Article 3 of Regulation (EC) No 847/96 applies. Article 4 of Regulation (EC) No 847/96 applies. Article 5(2) of Regulation (EC) No 847/96 applies. </div>
France	143	
Ireland	239	
United Kingdom	17 257	
EC	17 675	
TAC	17 675	
Species: Norway lobster <i>Nephrops norvegicus</i>		Zone: VII NEP/07.
Spain	1 290	<div style="border: 1px solid black; padding: 5px;"> Analytical TAC. Article 3 of Regulation (EC) No 847/96 applies. Article 4 of Regulation (EC) No 847/96 applies. Article 5(2) of Regulation (EC) No 847/96 applies. </div>
France	5 228	
Ireland	7 928	
United Kingdom	7 052	
EC	21 498	
TAC	21 498	
Species: Norway lobster <i>Nephrops norvegicus</i>		Zone: VIIIa,b,d,e NEP/8ABDE.
Spain	242	<div style="border: 1px solid black; padding: 5px;"> Analytical TAC. Article 3 of Regulation (EC) No 847/96 applies. Article 4 of Regulation (EC) No 847/96 applies. Article 5(2) of Regulation (EC) No 847/96 applies. </div>
France	3 788	
EC	4 030	
TAC	4 030	

▼ B

Species: Norway lobster <i>Nephrops norvegicus</i>		Zone: VIIIc NEP/08C.
Spain	140	<div style="border: 1px solid black; padding: 5px;"> Analytical TAC. Article 3 of Regulation (EC) No 847/96 applies. Article 4 of Regulation (EC) No 847/96 applies. Article 5(2) of Regulation (EC) No 847/96 applies. </div>
France	6	
EC	146	
TAC	146	
Species: Norway lobster <i>Nephrops norvegicus</i>		Zone: IX, X, CECAF 34.1.1 (EC waters) NEP/9/3411
Spain	122	<div style="border: 1px solid black; padding: 5px;"> Analytical TAC. Article 3 of Regulation (EC) No 847/96 applies. Article 4 of Regulation (EC) No 847/96 applies. Article 5(2) of Regulation (EC) No 847/96 applies. </div>
Portugal	364	
EC	486	
TAC	486	
Species: Northern prawn <i>Pandalus borealis</i>		Zone: IIIa PRA/03A.
Denmark	3 887	<div style="border: 1px solid black; padding: 5px;"> Analytical TAC. Article 3 of Regulation (EC) No 847/96 does not apply. Article 4 of Regulation (EC) No 847/96 does not apply. Article 5(2) of Regulation (EC) No 847/96 applies. </div>
Sweden	2 094	
EC	5 981	
TAC	11 200	

▼ **B**

Species: Northern prawn <i>Pandalus borealis</i>		Zone: IIa (EC waters), IV (EC waters) PRA/2AC4-C
Denmark	3 700	
The Netherlands	35	
Sweden	149	
United Kingdom	1 096	
EC	4 980	
TAC	4 980	
<div style="border: 1px solid black; padding: 5px;"> Precautionary TAC. Article 3 of Regulation (EC) No 847/96 applies. Article 4 of Regulation (EC) No 847/96 applies. Article 5(2) of Regulation (EC) No 847/96 applies. </div>		

Species: Northern prawn <i>Pandalus borealis</i>		Zone: Norwegian waters, south of 62° N PRA/04-N.
Denmark	900	
Sweden	158 ⁽¹⁾	
EC	1 058	
TAC	Not relevant	
<div style="border: 1px solid black; padding: 5px;"> Precautionary TAC. Article 3 of Regulation (EC) No 847/96 does not apply. Article 4 of Regulation (EC) No 847/96 does not apply. Article 5(2) of Regulation (EC) No 847/96 applies. </div>		

⁽¹⁾ By-catches of cod, haddock, pollack, whiting and saithe shall be counted against the quotas for these species.

Species: 'Penaeus' shrimps <i>Penaeus</i> spp		Zone: French Guyana PEN/FGU.
France	4 000 ⁽¹⁾	
EC	4 000 ⁽¹⁾	
Barbados	24 ⁽¹⁾	
Guyana	24 ⁽¹⁾	
Suriname	0 ⁽¹⁾	
Trinidad and Tobago	60 ⁽¹⁾	
TAC	4 108 ⁽¹⁾	
<div style="border: 1px solid black; padding: 5px;"> Precautionary TAC. Article 3 of Regulation (EC) No 847/96 does not apply. Article 4 of Regulation (EC) No 847/96 does not apply. Article 5(2) of Regulation (EC) No 847/96 applies. </div>		

⁽¹⁾ Fishing for shrimps *Penaeus subtilis* and *Penaeus brasiliensis* is prohibited in waters less than 30 m deep.

▼ B

Species: Plaice <i>Pleuronectes platessa</i>		Zone: Skagerrak PLE/03AN.
Belgium	46	<div style="border: 1px solid black; padding: 5px;"> Analytical TAC. Article 3 of Regulation (EC) No 847/96 does not apply. Article 4 of Regulation (EC) No 847/96 does not apply. Article 5(2) of Regulation (EC) No 847/96 applies. </div>
Denmark	5 979	
Germany	31	
The Netherlands	1 150	
Sweden	320	
EC	7 526	
TAC	7 680	

Species: Plaice <i>Pleuronectes platessa</i>		Zone: Kattegat PLE/03AS.
Denmark	1 709	<div style="border: 1px solid black; padding: 5px;"> Analytical TAC. Article 3 of Regulation (EC) No 847/96 applies. Article 4 of Regulation (EC) No 847/96 applies. Article 5(2) of Regulation (EC) No 847/96 applies. </div>
Germany	19	
Sweden	192	
EC	1 920	
TAC	1 920	

▼ B

Species: Plaice <i>Pleuronectes platessa</i>		Zone: IIa (EC waters), IV PLE/2AC4.
Belgium	3 435	
Denmark	11 164	
Germany	3 220	
France	644	
The Netherlands	21 470	
United Kingdom	15 887	
EC	55 820	
Norway	1 621	
TAC	57 441	

Analytical TAC.

► **C1** Article 3 of Regulation (EC) No 847/96 does not apply.
Article 4 of Regulation (EC) No 847/96 does not apply.
Article 5(2) of Regulation (EC) No 847/96 applies. ◀

Special conditions:

Within the limits of the abovementioned quotas, no more than the quantities given below may be taken in the zones specified:

Norwegian waters (PLE/ *04N-)	
EC	22 905

Species: Plaice <i>Pleuronectes platessa</i>		Zone: Vb (EC waters), VI, XII, XIV PLE/561214
France	22	
Ireland	287	
United Kingdom	477	
EC	786	
TAC	786	

Precautionary TAC

Article 3 of Regulation (EC) No 847/96 applies.
Article 4 of Regulation (EC) No 847/96 applies.
Article 5(2) of Regulation (EC) No 847/96 applies.

▼B

Species: Plaice <i>Pleuronectes platessa</i>		Zone: VIIa PLE/07A.
Belgium	41 ⁽¹⁾	
France	18 ⁽¹⁾	
Ireland	1 051 ⁽¹⁾	
The Netherlands	13 ⁽¹⁾	
United Kingdom	485 ⁽¹⁾	
EC	1 608 ⁽¹⁾	
TAC	1 608 ⁽¹⁾	

Analytical TAC.
Article 3 of Regulation (EC) No 847/96 applies.
Article 4 of Regulation (EC) No 847/96 applies.
Article 5(2) of Regulation (EC) No 847/96 applies.

⁽¹⁾ An additional 15% may be fished between 1 June and 30 September.

Species: Plaice <i>Pleuronectes platessa</i>		Zone: VIIb,c PLE/7BC.
France	29	
Ireland	115	
EC	144	
TAC	144	

Precautionary TAC.
Article 3 of Regulation (EC) No 847/96 applies.
Article 4 of Regulation (EC) No 847/96 applies.
Article 5(2) of Regulation (EC) No 847/96 applies.

Species: Plaice <i>Pleuronectes platessa</i>		Zone: VIId,e PLE/7DE.
Belgium	843	
France	2 810	
United Kingdom	1 498	
EC	5 151	
TAC	5 151	

Analytical TAC.
Article 3 of Regulation (EC) No 847/96 applies.
Article 4 of Regulation (EC) No 847/96 applies.
Article 5(2) of Regulation (EC) No 847/96 applies.

▼ **B**

Species: Plaice <i>Pleuronectes platessa</i>		Zone: VII,f,g PLE/7FG.
Belgium	118	<div style="border: 1px solid black; padding: 5px;"> Analytical TAC. Article 3 of Regulation (EC) No 847/96 applies. Article 4 of Regulation (EC) No 847/96 applies. Article 5(2) of Regulation (EC) No 847/96 applies. </div>
France	213	
Ireland	33	
United Kingdom	112	
EC	476	
TAC	476	
Species: Plaice <i>Pleuronectes platessa</i>		
Belgium	25	<div style="border: 1px solid black; padding: 5px;"> Precautionary TAC. Article 3 of Regulation (EC) No 847/96 applies. Article 4 of Regulation (EC) No 847/96 applies. Article 5(2) of Regulation (EC) No 847/96 applies. </div>
France	50	
Ireland	172	
The Netherlands	99	
United Kingdom	50	
EC	396	
TAC	396	
Species: Plaice <i>Pleuronectes platessa</i>		Zone: VIII, IX, X, CEECAF 34.1.1 (EC waters) PLE/8/3411
Spain	75	<div style="border: 1px solid black; padding: 5px;"> Precautionary TAC. Article 3 of Regulation (EC) No 847/96 applies. Article 4 of Regulation (EC) No 847/96 applies. Article 5(2) of Regulation (EC) No 847/96 applies. </div>
France	298	
Portugal	75	
EC	448	
TAC	448	

▼B

Species: Pollack <i>Pollachius pollachius</i>		Zone: Vb (EC waters), VI, XII, XIV POL/561214
Spain	6	<div style="border: 1px solid black; padding: 5px;"> Precautionary TAC. Article 3 of Regulation (EC) No 847/96 applies. Article 4 of Regulation (EC) No 847/96 applies. Article 5(2) of Regulation (EC) No 847/96 applies. </div>
France	216	
Ireland	63	
United Kingdom	165	
EC	450	
TAC	450	
Species: Pollack <i>Pollachius pollachius</i>		Zone: VII POL/07.
Belgium	476	<div style="border: 1px solid black; padding: 5px;"> Precautionary TAC. Article 3 of Regulation (EC) No 847/96 applies. Article 4 of Regulation (EC) No 847/96 applies. Article 5(2) of Regulation (EC) No 847/96 applies. </div>
Spain	29	
France	10 959	
Ireland	1 168	
United Kingdom	2 668	
EC	15 300	
TAC	15 300	
Species: Pollack <i>Pollachius pollachius</i>		Zone: VIIIa,b,d,e POL/8ABDE.
Spain	286	<div style="border: 1px solid black; padding: 5px;"> Precautionary TAC. Article 3 of Regulation (EC) No 847/96 applies. Article 4 of Regulation (EC) No 847/96 applies. Article 5(2) of Regulation (EC) No 847/96 applies. </div>
France	1 394	
EC	1 680	
TAC	1 680	

▼ **B**

Species: Pollack <i>Pollachius pollachius</i>		Zone: VIIIc POL/08C.
Spain	236	<div style="border: 1px solid black; padding: 5px;"> Precautionary TAC. Article 3 of Regulation (EC) No 847/96 applies. Article 4 of Regulation (EC) No 847/96 applies. Article 5(2) of Regulation (EC) No 847/96 applies. </div>
France	26	
EC	262	
TAC	262	
Species: Pollack <i>Pollachius pollachius</i>		Zone: IX, X, CECAF 34.1.1 (EC waters) POL/9/3411
Spain	278	<div style="border: 1px solid black; padding: 5px;"> Precautionary TAC. Article 3 of Regulation (EC) No 847/96 applies. Article 4 of Regulation (EC) No 847/96 applies. Article 5(2) of Regulation (EC) No 847/96 applies. </div>
Portugal	10	
EC	288	
TAC	288	
Species: Saithe <i>Pollachius virens</i>		Zone: IIa (EC waters), IIIa, IIIbcd (EC waters), IV POK/2A34.
Belgium	43	<div style="border: 1px solid black; padding: 5px;"> Analytical TAC. Article 3 of Regulation (EC) No 847/96 does not apply. Article 4 of Regulation (EC) No 847/96 does not apply. Article 5(2) of Regulation (EC) No 847/96 applies. </div>
Denmark	5 111	
Germany	12 906	
France	30 374	
The Netherlands	129	
Sweden	702	
United Kingdom	9 895	
EC	59 160	
Norway	64 090 ⁽¹⁾	
TAC	123 250	

⁽¹⁾ May only be taken in IV (EC waters) and IIIa. Catches taken within this quota are to be deducted from Norway's share of the TAC.

▼ M3

Species: Saithe <i>Pollachius virens</i>		Zone: Norwegian waters south of 62°N POK/04-N.
Sweden	880	<div style="border: 1px solid black; padding: 5px;"> Analytical TAC. Article 3 of Regulation (EC) No 847/96 does not apply. Article 4 of Regulation (EC) No 847/96 does not apply. Article 5(2) of Regulation (EC) No 847/96 applies. </div>
EC	880	
TAC	Not relevant	

▼ B

Species: Saithe <i>Pollachius virens</i>		Zone: Vb (EC waters), VI, XII, XIV POK/561214
Germany	798	<div style="border: 1px solid black; padding: 5px;"> Analytical TAC. Article 3 of Regulation (EC) No 847/96 applies. Article 4 of Regulation (EC) No 847/96 applies. Article 5(2) of Regulation (EC) No 847/96 applies. </div>
France	7 930	
Ireland	467	
United Kingdom	3 592	
EC	12 787	
TAC	12 787	

Species: Saithe <i>Pollachius virens</i>		Zone: VII, VIII, IX, X, CECAF 34.1.1 (EC waters) POK/7X1034
Belgium	12	<div style="border: 1px solid black; padding: 5px;"> Precautionary TAC. Article 3 of Regulation (EC) No 847/96 applies. Article 4 of Regulation (EC) No 847/96 applies. Article 5(2) of Regulation (EC) No 847/96 applies. </div>
France	2 666	
Ireland	1 333	
United Kingdom	727	
EC	4 738	
TAC	4 738	

▼B

Species: Turbot and brill <i>Psetta maxima</i> and <i>Scophthalmus rhombus</i>	Zone: IIa (EC waters), IV (EC waters) T/B/2AC4-C
Belgium	317
Denmark	677
Germany	173
France	82
The Netherlands	2 401
Sweden	5
United Kingdom	668
EC	4 323
TAC	4 323

Precautionary TAC.
Article 3 of Regulation (EC) No 847/96 applies.
Article 4 of Regulation (EC) No 847/96 applies.
Article 5(2) of Regulation (EC) No 847/96 applies.

Species: Skates and rays <i>Rajidae</i>	Zone: IIa (EC waters), IV (EC waters) SRX/2AC4-C
Belgium	461
Denmark	18
Germany	23
France	72
The Netherlands	393
United Kingdom	1 770
EC	2 737
TAC	2 737

Precautionary TAC.
Article 3 of Regulation (EC) No 847/96 applies.
Article 4 of Regulation (EC) No 847/96 applies.
Article 5(2) of Regulation (EC) No 847/96 applies.

▼ B

Species: Greenland Halibut <i>Reinhardtius hippoglossoides</i>	Zone: Ila (EC waters) IV, VI (EC and international waters) GHL/2A-C46
Denmark	8
Germany	14
Estonia	8
Spain	8
France	130
Ireland	8
Lithuania	8
Poland	8
United Kingdom	510
EC	1 052 ⁽¹⁾
TAC	Not relevant

Precautionary TAC.
 Article 3 of Regulation (EC) No 847/96 applies.
 Article 4 of Regulation (EC) No 847/96 applies.
 Article 5(2) of Regulation (EC) No 847/96 applies.

⁽¹⁾ Of which 350 tonnes are allocated to Norway and are to be taken in the EC waters of Division Ila and Subarea VI. In Sub-area VI this quantity may only be fished with longlines.

▼ **B**

Species: Mackerel <i>Scomber scombrus</i>	Zone: IIa (EC waters), IIIa, IIIb,c,d (EC waters), IV MAC/2A34.
Belgium	154
Denmark	12 287
Germany	160
France	483
The Netherlands	487
Sweden	3 599 ⁽¹⁾ ⁽²⁾
United Kingdom	451
EC	17 621 ⁽¹⁾
Norway	30 178 ⁽³⁾
TAC	415 824 ⁽⁴⁾

Analytical TAC.
Article 3 of Regulation (EC) No 847/96 does not apply.
Article 4 of Regulation (EC) No 847/96 does not apply.
Article 5(2) of Regulation (EC) No 847/96 applies.

⁽¹⁾ Including 275 tonnes to be taken in Norwegian waters of ICES Subarea IV (MAC/*04N-).

⁽²⁾ When fishing in Norwegian waters, by-catches of cod, haddock, pollack and whiting and saithe shall be counted against the quotas for these species.

⁽³⁾ To be deducted from Norway's share of the TAC (access quota). This quota may be fished in Division IVa only, except for 3 000 tonnes that may be fished in Division IIIa.

⁽⁴⁾ TAC agreed by the EC, Norway and Faroe Islands for the northern area.

Special conditions:

Within the limits of the abovementioned quotas, no more than the quantities given below may be taken in the zones specified:

	IIIa MAC/*03A.	IIIa, IVb,cMAC/ *3A4BC.	IVb MAC/*04B.	IVc MAC/*04C.	IIa (non-EC waters), VI, from 1 January to 31 March 2006MAC/*2A6.
Denmark	4 130				4 020
France	467				
The Netherlands	470				
Sweden			390	10	
United Kingdom	435				
Norway	3 000				

▼ **B**

Species: Mackerel <i>Scomber scombrus</i>	Zone: ► C1 IIa (non-EC waters), Vb (EC waters and international waters), VI, VII, VIIIa, b, d, e, XII, XIV MAC/2CX14 ◀
Germany	14 369
Spain	20
Estonia	119
France	9 580
Ireland	47 894
Latvia	88
Lithuania	88
The Netherlands	20 954
Poland	1 012
United Kingdom	131 713
EC	225 837
Norway	9 000 ⁽¹⁾
Faroe Islands	3 496 ⁽²⁾
TAC	415 824 ⁽³⁾

Analytical TAC.
Article 3 of Regulation (EC) No 847/96 does not apply.
Article 4 of Regulation (EC) No 847/96 does not apply.
Article 5(2) of Regulation (EC) No 847/96 applies.

⁽¹⁾ May be fished only in IIa, VIa (north of 56°30' N), IVa, VIIId, e, f, h.

⁽²⁾ Of which 1 055 tonnes may be fished in ICES Division IVa north of 59°N (EC zone) from 1 January to 15 February and from 1 October to 31 December. A quantity of 2 908 tonnes of the Faroe Islands' own quota may be fished in ICES Division VIa (north of 56°30'N) throughout the year and/or in ICES Divisions VIIe, f, h, and/or ICES Division IVa.

⁽³⁾ TAC agreed by the EC, Norway and Faroe Islands for the northern area.

Special conditions:

Within the limits of the abovementioned quotas, no more than the quantities given below may be taken in the zones specified, and only during the periods 1 January to 15 February and 1 October to 31 December.

	IVa (EC waters)MAC/*04A-C
Germany	4 336
France	2 891
Ireland	14 453
The Netherlands	6 323
United Kingdom	39 748
EC	67 751
Faroe Islands	9 000
Norway	1 055 ⁽¹⁾

⁽¹⁾ North of 59° N (EC zone) from 1 January to 15 February and from 1 October to 31 December.

▼ B

Species: Mackerel <i>Scomber scombrus</i>	Zone: VIIIc, IX, X, CECAF 34.1.1 (EC waters) MAC/8C3411
Spain	21 574 ⁽¹⁾
France	143 ⁽¹⁾
Portugal	4 459 ⁽¹⁾
EC	26 176
TAC	26 176

Analytical TAC.
Article 3 of Regulation (EC) No 847/96 does not apply.
Article 4 of Regulation (EC) No 847/96 does not apply.
Article 5(2) of Regulation (EC) No 847/96 applies.

⁽¹⁾ The quantities subject to exchange with other Member States may be taken, up to a limit of 25% of the quota of the donor Member State, in ICES area VIIIa,b,d (MAC/*8ABD.).

Special conditions:

Within the limits of the abovementioned quotas, no more than the quantities given below may be taken in the zones specified.

	VIIIb(MAC/*08B.)
Spain	1 812
France	12
Portugal	374

Species: Common sole <i>Solea solea</i>	Zone: IIIa, IIIbcd (EC waters) SOL/3A/BCD
Denmark	755
Germany	44
The Netherlands	73
Sweden	28
EC	900
TAC	900

Analytical TAC.
Article 3 of Regulation (EC) No 847/96 applies.
Article 4 of Regulation (EC) No 847/96 applies.
Article 5(2) of Regulation (EC) No 847/96 applies.

▼ **B**

Species: Common sole <i>Solea solea</i>		Zone: II, IV (EC waters) SOL/24.
Belgium	1 456	<div style="border: 1px solid black; padding: 5px;"> Analytical TAC. Article 3 of Regulation (EC) No 847/96 applies. Article 4 of Regulation (EC) No 847/96 applies. Article 5(2) of Regulation (EC) No 847/96 applies. </div>
Denmark	666	
Germany	1 165	
France	291	
The Netherlands	13 143	
United Kingdom	749	
EC	17 470	
Norway	200	
TAC	17 670	
Species: Common sole <i>Solea solea</i>		
Ireland	54	<div style="border: 1px solid black; padding: 5px;"> Precautionary TAC. Article 3 of Regulation (EC) No 847/96 applies. Article 4 of Regulation (EC) No 847/96 applies. Article 5(2) of Regulation (EC) No 847/96 applies. </div>
United Kingdom	14	
EC	68	
TAC	68	
Species: Common sole <i>Solea solea</i>		Zone: VIIa SOL/07A.
Belgium	474	<div style="border: 1px solid black; padding: 5px;"> Analytical TAC. Article 3 of Regulation (EC) No 847/96 applies. Article 4 of Regulation (EC) No 847/96 applies. Article 5(2) of Regulation (EC) No 847/96 applies. </div>
France	6	
Ireland	117	
The Netherlands	150	
United Kingdom	213	
EC	960	
TAC	960	

▼B

Species: Common sole <i>Solea solea</i>		Zone: VIIb,c SOL/7BC.
France	10	<div style="border: 1px solid black; padding: 5px;"> Precautionary TAC. Article 3 of Regulation (EC) No 847/96 applies. Article 4 of Regulation (EC) No 847/96 applies. Article 5(2) of Regulation (EC) No 847/96 applies. </div>
Ireland	54	
EC	64	
TAC	64	
Species: Common sole <i>Solea solea</i>		Zone: VIId SOL/07D.
Belgium	1 540	<div style="border: 1px solid black; padding: 5px;"> ► C1 Analytical TAC. ◀ Article 3 of Regulation (EC) No 847/96 applies. Article 4 of Regulation (EC) No 847/96 applies. Article 5(2) of Regulation (EC) No 847/96 applies. </div>
France	3 080	
United Kingdom	1 100	
EC	5 720	
TAC	5 720	
Species: Common sole <i>Solea solea</i>		Zone: VIIe SOL/07E.
Belgium	33	<div style="border: 1px solid black; padding: 5px;"> Precautionary TAC. Article 3 of Regulation (EC) No 847/96 applies. Article 4 of Regulation (EC) No 847/96 applies. Article 5(2) of Regulation (EC) No 847/96 applies. </div>
France	354	
United Kingdom	553	
EC	940	
TAC	940	

▼ B

Species: Common sole <i>Solea solea</i>		Zone: VIIf,g SOL/7FG.
Belgium	594	<div style="border: 1px solid black; padding: 5px;"> Analytical TAC. Article 3 of Regulation (EC) No 847/96 applies. Article 4 of Regulation (EC) No 847/96 applies. Article 5(2) of Regulation (EC) No 847/96 applies. </div>
France	59	
Ireland	30	
United Kingdom	267	
EC	950	
TAC	950	

Species: Common sole <i>Solea solea</i>		Zone: VIIh,j,k SOL/7HJK.
Belgium	54	<div style="border: 1px solid black; padding: 5px;"> Precautionary TAC. Article 3 of Regulation (EC) No 847/96 applies. Article 4 of Regulation (EC) No 847/96 applies. Article 5(2) of Regulation (EC) No 847/96 applies. </div>
France	108	
Ireland	293	
The Netherlands	87	
United Kingdom	108	
EC	650	
TAC	650	

▼ M3

Species: Common sole <i>Solea solea</i>		Zone: VIIIa, b SOL/8AB.
Belgium	50	<div style="border: 1px solid black; padding: 5px;"> Analytical TAC. Article 3 of Regulation (EC) No 847/96 applies. Article 4 of Regulation (EC) No 847/96 applies. Article 5(2) of Regulation (EC) No 847/96 applies. </div>
Spain	9	
France	3 722	
The Netherlands	279	
EC	4 060	
TAC	4 060	

▼ M3

Species: Sole <i>Solea</i> spp.		Zone: VIIIc,d,e, IX, X, CECAF 34.1.1 (EC waters) SOX/8CDE34
Spain	458	<div style="border: 1px solid black; padding: 5px;"> Precautionary TAC. Article 3 of Regulation (EC) No 847/96 applies. Article 4 of Regulation (EC) No 847/96 applies. Article 5(2) of Regulation (EC) No 847/96 applies. </div>
Portugal	758	
EC	1 216	
TAC	1 216	

▼ B

Species: Sprat <i>Sprattus sprattus</i>		Zone: IIIa SPR/03A.
Denmark	34 843	<div style="border: 1px solid black; padding: 5px;"> Precautionary TAC. Article 3 of Regulation (EC) No 847/96 does not apply. Article 4 of Regulation (EC) No 847/96 does not apply. Article 5(2) of Regulation (EC) No 847/96 applies. </div>
Germany	73	
Sweden	13 184	
EC	48 100	
TAC	52 000	

▼ **M7**

Species: Sprat <i>Sprattus sprattus</i>		Zone: IIa (EC waters), IV (EC waters) SPR/2AC4-C
Belgium	1 787	Precautionary TAC. Article 3 of Regulation (EC) No 847/96 applies. Article 4 of Regulation (EC) No 847/96 applies. Article 5(2) of Regulation (EC) No 847/96 applies.
Denmark	141 464	
Germany	1 787	
France	1 787	
Netherlands	1 787	
Sweden	1 330 ⁽¹⁾	
United Kingdom	5 898	
EC	155 840	
Norway	10 000 ⁽²⁾	
Faeroe Islands	9 160 ⁽³⁾	
TAC	175 000	

⁽¹⁾ Including sand eel.

⁽²⁾ May only be fished in Subarea IV (EC waters).

⁽³⁾ This quantity may be fished in IV and VIa north of 56° 30' N. The quota includes a maximum by-catch of 1 832 tonnes of herring. If this by-catch quota is exhausted then fisheries by the Faeroe Islands using nets with mesh sizes less than 32 mm is prohibited in Community waters. Any by-catch of blue whiting shall be counted against the blue whiting quota established for fishing areas VIa, VIb and VII.

▼ **B**

Species: Sprat <i>Sprattus sprattus</i>		Zone: VIIde SPR/7DE.
Belgium	31	Precautionary TAC. Article 3 of Regulation (EC) No 847/96 applies. Article 4 of Regulation (EC) No 847/96 applies. Article 5(2) of Regulation (EC) No 847/96 applies.
Denmark	1 997	
Germany	31	
France	430	
The Netherlands	430	
United Kingdom	3 226	
EC	6 144	
TAC	6 144	

▼ **B**

Species: Spurdog/dogfish <i>Squalus acanthias</i>	Zone: IIa (EC waters), IV (EC waters) DGS/2AC4-C
Belgium	16
Denmark	93
Germany	17
France	30
The Netherlands	26
Sweden	1
United Kingdom	778
EC	691
Norway	90 ⁽¹⁾
TAC	1 051

Precautionary TAC.
Article 3 of Regulation (EC) No 847/96 applies.
Article 4 of Regulation (EC) No 847/96 applies.
Article 5(2) of Regulation (EC) No 847/96 applies.

⁽¹⁾ Including catches taken with long lines of tope shark and velvet belly, bird beak dogfish, leafscale gulper shark, greater lantern shark, smooth lantern shark and Portuguese dogfish. This quota may only be taken in ICES Subareas IV, VI and VII.

Species: Horse mackerel <i>Trachurus spp.</i>	Zone: IIa (EC waters), IV (EC waters) JAX/2AC4-C
Belgium	64
Denmark	27 784
Germany	2 095
France	44
Ireland	1 612
The Netherlands	4 507
Sweden	750
United Kingdom	4 101
EC	40 957
Norway	1 600 ⁽¹⁾
Faroe Islands	713 ⁽²⁾
TAC	42 727

Precautionary TAC.
Article 3 of Regulation (EC) No 847/96 applies.
Article 4 of Regulation (EC) No 847/96 applies.
Article 5(2) of Regulation (EC) No 847/96 applies.

⁽¹⁾ May only be fished in Subarea IV (EC waters).

⁽²⁾ Within a total quota of 3 000 tonnes for ICES Subareas IV, VIa (north of 56°30'N) and VII e,f,h.

▼ **B**

Species: Horse mackerel <i>Trachurus</i> spp.		Zone: ► C1 Vb (EC waters and international waters), VI, VII, ◀ VIIIa,b,d,e, XII,XIV JAX/578/14
Denmark	12 273	
Germany	9 809	
Spain	13 396	
France	6 482	
Ireland	31 934	
The Netherlands	46 801	
Portugal	1 296	
United Kingdom	13 266	
EC	135 257	
Faroe Islands	2 287 ⁽¹⁾ ⁽²⁾	
TAC	137 000	

Analytical TAC.
Article 3 of Regulation (EC) No 847/96 applies.
Article 4 of Regulation (EC) No 847/96 applies.
Article 5(2) of Regulation (EC) No 847/96 applies.

⁽¹⁾ This quota may only be fished in ICES areas IV, VIa (north of 56°30'N) and VIIe, f, h.

⁽²⁾ Within a total quota of 3 000 tonnes for ICES Subareas IV, VIa (north of 56°30'N) and VIIe,f,h.

Species: Horse mackerel <i>Trachurus</i> spp.		Zone: VIIIc, IX JAX/8C9.
Spain	29 587 ⁽¹⁾	
France	377 ⁽¹⁾	
Portugal	25 036 ⁽¹⁾	
EC	55 000	
TAC	55 000	

Analytical TAC.
Article 3 of Regulation (EC) No 847/96 applies.
Article 4 of Regulation (EC) No 847/96 applies.
Article 5(2) of Regulation (EC) No 847/96 applies.

⁽¹⁾ Of which no more than 5% may consist of horse mackerel between 12 and 14 cm, notwithstanding Article 19 of Council Regulation (EC) No 850/98. For the purposes of the control of this quantity, the weight of the landings shall be affected by a coefficient of 1,2.

▼ **B**

Species: Horse mackerel <i>Trachurus</i> spp.	Zone: X, CECAF ⁽¹⁾ JAX/X34PRT
---	--

Portugal	3 200 ⁽²⁾
EC	3 200
TAC	3 200

Precautionary TAC.
Article 3 of Regulation (EC) No 847/96 applies.
Article 4 of Regulation (EC) No 847/96 applies.
Article 5(2) of Regulation (EC) No 847/96 applies.

⁽¹⁾ Waters adjacent to the Azores under the sovereignty or jurisdiction of Portugal.

⁽²⁾ Of which no more than 5% may consist of horse mackerel between 12 and 14 cm, notwithstanding Article 19 of Council Regulation (EC) No 850/98. For the purposes of the control of this quantity, the weight of the landings shall be affected by a coefficient of 1,2.

Species: Horse mackerel <i>Trachurus</i> spp.	Zone: CECAF (EC waters) ⁽¹⁾ JAX/341PRT
---	---

Portugal	1 280 ⁽²⁾
EC	1 280
TAC	1 280

Precautionary TAC.
Article 3 of Regulation (EC) No 847/96 applies.
Article 4 of Regulation (EC) No 847/96 applies.
Article 5(2) of Regulation (EC) No 847/96 applies.

⁽¹⁾ Waters adjacent to Madeira under the sovereignty or jurisdiction of Portugal.

⁽²⁾ Of which no more than 5% may consist of horse mackerel between 12 and 14 cm, notwithstanding Article 19 of Council Regulation (EC) No 850/98. For the purposes of the control of this quantity, the weight of the landings shall be affected by a coefficient of 1,2.

Species: Horse mackerel <i>Trachurus</i> spp.	Zone: CECAF (EC waters) ⁽¹⁾ JAX/341SPN
---	---

Spain	1 280
EC	1 280
TAC	1 280

Precautionary TAC.
Article 3 of Regulation (EC) No 847/96 applies.
Article 4 of Regulation (EC) No 847/96 applies.
Article 5(2) of Regulation (EC) No 847/96 applies.

⁽¹⁾ Waters adjacent to the Canary Islands under the sovereignty or jurisdiction of Spain.

▼ **M9**

Species: Norway pout <i>Trisopterus esmarki</i>		Zone: IIa (EC waters), IIIa, IV (EC waters) NOP/2A3A4.
Denmark	70 185	Analytical TAC. Article 3 of Regulation (EC) No 847/96 does not apply. Article 4 of Regulation (EC) No 847/96 does not apply. Article 5(2) of Regulation (EC) No 847/96 applies.
Germany	13	
The Netherlands	52	
EC	70 250	
Norway	1 000 ⁽¹⁾	
TAC	Not relevant	

⁽¹⁾ This quota may be fished in Division VIa, North of 56° 30' N.

▼ **B**

Species: Norway pout <i>Trisopterus esmarki</i>		Zone: IV (Norwegian waters) NOP/04-N.
Denmark	4 750 ⁽¹⁾ ⁽²⁾	<div style="border: 1px solid black; padding: 5px;"> <p>Article 3 of Regulation (EC) No 847/96 does not apply. Article 4 of Regulation (EC) No 847/96 does not apply. Article 5(2) of Regulation (EC) No 847/96 applies.</p> </div>
United Kingdom	250 ⁽¹⁾ ⁽²⁾	
EC	5 000 ⁽¹⁾ ⁽²⁾	
TAC	Not relevant	

⁽¹⁾ Including inextricably mixed horse mackerel.

⁽²⁾ Only as by-catches..

Species: Industrial fish		Zone: IV (Norwegian waters) I/F/04-N.
Sweden	800 ⁽¹⁾ ⁽²⁾	
EC	800	
TAC	Not relevant	

⁽¹⁾ By-catches of cod, haddock, pollack and whiting and saithe to be counted against the quotas for these species.

⁽²⁾ Of which no more than 400 tonnes of horse mackerel.

Species: Combined quota		Zone: EC waters of zones Vb, VI, VII R/G/5B67-C
EC	Not relevant	
Norway	140 ⁽¹⁾	
TAC	Not relevant	

⁽¹⁾ Taken with long lines only, including rat tails, *Mora mora* and greater fork beard.

▼ B

Species: Other species	Zone: IV (Norwegian waters) OTH/04-N.
Belgium	38
Denmark	3 500
Germany	395
France	162
Netherlands	280
The Sweden	Not relevant ⁽¹⁾
United Kingdom	2 625
EC	7 000 ⁽²⁾
TAC	Not relevant

Precautionary TAC.
Article 3 of Regulation (EC) No 847/96 does not apply.
Article 4 of Regulation (EC) No 847/96 does not apply.
Article 5(2) of Regulation (EC) No 847/96 applies.

⁽¹⁾ Quota allocated by Norway to Sweden of 'other species' at a traditional level.

⁽²⁾ Including fisheries not specifically mentioned, exceptions may be introduced after consultations as appropriate.

Species: Other species	Zone: EC waters of zones IIa, IV, VIa north of 56° 30'N OTH/2A46AN
EC	Not relevant
Norway	4 720 ⁽¹⁾ ⁽²⁾
Faroe Islands	400 ⁽³⁾
TAC	Not relevant

⁽¹⁾ Limited to IIa and IV. Includes fisheries not specifically mentioned.

⁽²⁾ Limited to by-catches of whitefish in IV and VIa.

⁽³⁾ Including fisheries not specifically mentioned, exceptions may be introduced after consultations as appropriate.



ANNEX IB

NORTH EAST ATLANTIC AND GREENLAND

ICES areas I, II, IIIa, IV, V, XII, XIV and NAFO 0, 1 (Greenland waters)

Species: Snow crab <i>Chionoecetes</i> spp.		Zone: NAFO 0, 1 (Greenland waters) PCR/ N01GRN
Ireland	125	
Spain	875	
EC	1 000	
TAC	Not relevant	

Precautionary TAC.
Article 3 of Regulation (EC) No 847/96 does not apply.
Article 4 of Regulation (EC) No 847/96 does not apply.
Article 5(2) of Regulation (EC) No 847/96 applies.

Species: Roundnose grenadier <i>Coryphaenoides rupestris</i>		Zone: NAFO 0, 1 (Greenland waters) RNG/N01GRN
Germany	0	
EC	192 ⁽¹⁾	
TAC	Not relevant	

Precautionary TAC.
Article 3 of Regulation (EC) No 847/96 does not apply.
Article 4 of Regulation (EC) No 847/96 does not apply.
Article 5(2) of Regulation (EC) No 847/96 applies.

⁽¹⁾ Of which 192 tonnes are allocated to Norway.

Species: Roundnose grenadier <i>Coryphaenoides rupestris</i>		Zone: V, XIV (Greenland waters) RNG/514GRN
Germany	0	
United Kingdom	0	
EC	285 ⁽¹⁾	
TAC	Not relevant	

Precautionary TAC.
Article 3 of Regulation (EC) No 847/96 does not apply.
Article 4 of Regulation (EC) No 847/96 does not apply.
Article 5(2) of Regulation (EC) No 847/96 applies.

⁽¹⁾ Of which 285 tonnes are allocated to Norway.

▼ **M2**

Species: Herring <i>Clupea harengus</i>	Zone: EC, Norwegian and International waters of I and II HER/1/2.
Belgium	22
Denmark	21 243
Germany	3 720
Spain	70
France	917
Ireland	5 499
The Netherlands	7 602
Poland	1 075
Portugal	70
Finland	329
Sweden	7 872
United Kingdom	13 581
EC	62 000
TAC	not relevant

Article 3 of Regulation (EC) No 847/96 does not apply.
Article 4 of Regulation (EC) No 847/96 does not apply.
Article 5(2) of Regulation (EC) No 847/96 applies.

▼ **B**

Species: Cod <i>Gadus morhua</i>	Zone: I, II (Norwegian waters) COD/IN2AB.
Germany	2 286
Greece	283
Spain	2 550
Ireland	283
France	2 098
Portugal	2 550
United Kingdom	8 869
EC	18 920
TAC	457 000

Article 3 of Regulation (EC) No 847/96 does not apply.
Article 4 of Regulation (EC) No 847/96 does not apply.
Article 5(2) of Regulation (EC) No 847/96 applies.

▼ **B**

Species: Cod <i>Gadus morhua</i>		Zone: NAFO 0, 1 (incl.V, XIV (Greenland waters)) COD/N01514
Germany	0	<div style="border: 1px solid black; padding: 5px;"> <p>Article 3 of Regulation (EC) No 847/96 does not apply. Article 4 of Regulation (EC) No 847/96 does not apply. Article 5(2) of Regulation (EC) No 847/96 applies.</p> </div>
United Kingdom	0	
EC	0	
TAC	0	

Species: Cod <i>Gadus morhua</i>		Zone: I, II b COD/1/2B.
Germany	3 023	<div style="border: 1px solid black; padding: 5px;"> <p>Article 3 of Regulation (EC) No 847/96 does not apply. Article 4 of Regulation (EC) No 847/96 does not apply. Article 5(2) of Regulation (EC) No 847/96 applies.</p> </div>
Spain	7 814	
France	1 290	
Poland	1 417	
Portugal	1 650	
United Kingdom	1 936	
All Member States	100 ⁽¹⁾	
EC	17 229 ⁽²⁾	
TAC	457 000	

⁽¹⁾ Except Germany, Spain, France, Poland, Portugal and the United Kingdom.

⁽²⁾ The allocation of the share of the cod stock available to the Community in the zone Spitzbergen and Bear Island is entirely without prejudice to the rights and obligations deriving from the 1920 Treaty of Paris.

Species: Cod and haddock <i>Gadus morhua</i> and <i>Melanogrammus aeglefinus</i>		Zone: Vb (Faroese waters) C/H/05B-F.
Germany	10	<div style="border: 1px solid black; padding: 5px;"> <p>Article 3 of Regulation (EC) No 847/96 does not apply. Article 4 of Regulation (EC) No 847/96 does not apply. Article 5(2) of Regulation (EC) No 847/96 applies.</p> </div>
France	60	
United Kingdom	430	
EC	500	
TAC	Not relevant	

▼ B

Species: Atlantic halibut <i>Hippoglossus hippoglossus</i>	Zone: V, XIV (Greenland waters) HAL/514GRN
--	--

Portugal	800
EC	1 000 ⁽¹⁾ ⁽²⁾
TAC	Not relevant

Article 3 of Regulation (EC) No 847/96 does not apply.
Article 4 of Regulation (EC) No 847/96 does not apply.
Article 5(2) of Regulation (EC) No 847/96 applies.

⁽¹⁾ Of which 200 tonnes to be fished only with long lines, are allocated to Norway.

⁽²⁾ If by-catches of Atlantic halibut in trawl cod and redfish fisheries imply over-runs of this quota, the Greenland authorities will provide solutions to the effect that Community cod and redfish fisheries can nevertheless continue until the respective quotas have been exhausted.

Species: Atlantic halibut <i>Hippoglossus hippoglossus</i>	Zone: NAFO 0, 1 (Greenland waters) HAL/N01GRN
--	---

EC	200 ⁽¹⁾ ⁽²⁾
TAC	Not relevant

⁽¹⁾ Of which 200 tonnes, to be fished only with long lines, are allocated to Norway.

⁽²⁾ If by-catches of Atlantic halibut in trawl cod and redfish fisheries imply over-runs of this quota, the Greenland authorities will provide solutions to the effect that Community cod and redfish fisheries can nevertheless continue until the respective quotas have been exhausted.

Species: Capelin <i>Mallotus villosus</i>	Zone: IIb CAP/02B.
---	------------------------------

EC	0
TAC	0

▼ M8

Species: Capelin <i>Mallotus villosus</i>	Zone: V, XIV (Greenland waters) CAP/514GRN
---	--

All Member States	0
EC	16 170 ⁽¹⁾ ⁽²⁾
TAC	Not relevant

⁽¹⁾ Of which 16 170 tonnes are allocated to Iceland.

⁽²⁾ To be fished before 30 April 2006.

▼B

Species: Haddock <i>Melanogrammus aeglefinus</i>		Zone: I, II (Norwegian waters) HAD/1N2AB.
Germany	591	<div style="border: 1px solid black; padding: 5px;"> <p>Article 3 of Regulation (EC) No 847/96 does not apply. Article 4 of Regulation (EC) No 847/96 does not apply. Article 5(2) of Regulation (EC) No 847/96 applies.</p> </div>
France	355	
United Kingdom	1 814	
EC	2 760	
TAC	Not relevant	
Species: Blue whiting <i>Micromesistius poutassou</i>		Zone: I, II (Norwegian waters) WHB/1/2-N.
Germany	500	<div style="border: 1px solid black; padding: 5px;"> <p>Article 3 of Regulation (EC) No 847/96 does not apply. Article 4 of Regulation (EC) No 847/96 does not apply. Article 5(2) of Regulation (EC) No 847/96 applies.</p> </div>
France	500	
EC	1 000	
TAC	2 000 000	
Species: Blue whiting <i>Micromesistius poutassou</i>		
Denmark	7 040	<div style="border: 1px solid black; padding: 5px;"> <p>Article 3 of Regulation (EC) No 847/96 does not apply. Article 4 of Regulation (EC) No 847/96 does not apply. Article 5(2) of Regulation (EC) No 847/96 applies.</p> </div>
Germany	480	
France	768	
The Netherlands	672	
United Kingdom	7 040	
EC	16 000	
TAC	Not relevant	

▼ **B**

Species: Ling and Blue Ling <i>Molva molva</i> and <i>Molva dypterigia</i>		Zone: Vb (Faroese waters) B/L/05B-F.
Germany	898 ⁽¹⁾	
France	1 992 ⁽¹⁾	
United Kingdom	175 ⁽¹⁾	
EC	3 065 ⁽¹⁾	
TAC	Not relevant	

Article 3 of Regulation (EC) No 847/96 does not apply.
Article 4 of Regulation (EC) No 847/96 does not apply.
Article 5(2) of Regulation (EC) No 847/96 applies.

⁽¹⁾ By-catches up to 1 080 tonnes of roundnose grenadier and black scabbard fish to be counted against this quota.

Species: Northern prawn <i>Pandalus borealis</i>		Zone: V, XIV (Greenland waters) PRA/514GRN
Denmark	887	
France	887	
EC	5 675 ⁽¹⁾	
TAC	Not relevant	

Article 3 of Regulation (EC) No 847/96 does not apply.
Article 4 of Regulation (EC) No 847/96 does not apply.
Article 5(2) of Regulation (EC) No 847/96 applies.

⁽¹⁾ Of which 2 750 tonnes are allocated to Norway and 1 150 tonnes to Faroe Islands.

Species: Northern prawn <i>Pandalus borealis</i>		Zone: NAFO 0, 1 (Greenland waters) PRA/ N01GRN
Denmark	2 000	
France	2 000	
EC	4 000	
TAC	Not relevant	

Article 3 of Regulation (EC) No 847/96 does not apply.
Article 4 of Regulation (EC) No 847/96 does not apply.
Article 5(2) of Regulation (EC) No 847/96 applies.

▼ B

Species: Saithe <i>Pollachius virens</i>		Zone: I, II (Norwegian waters) POK/1N2AB.
Germany	2 880	
France	463	
United Kingdom	257	
EC	3 600	
TAC	Not relevant	
<div style="border: 1px solid black; padding: 5px;"> <p>Article 3 of Regulation (EC) No 847/96 does not apply. Article 4 of Regulation (EC) No 847/96 does not apply. Article 5(2) of Regulation (EC) No 847/96 applies.</p> </div>		
Species: Saithe <i>Pollachius virens</i>		Zone: I, II (International waters) POK/1/2INT
EC	0	
TAC	Not relevant	
Species: Saithe <i>Pollachius virens</i>		Zone: Vb (Faroese waters) POK/05B-F.
Belgium	56	
Germany	347	
France	1 691	
The Netherlands	56	
United Kingdom	650	
EC	2 800	
TAC	Not relevant	
<div style="border: 1px solid black; padding: 5px;"> <p>Article 3 of Regulation (EC) No 847/96 does not apply. Article 4 of Regulation (EC) No 847/96 does not apply. Article 5(2) of Regulation (EC) No 847/96 applies.</p> </div>		
Species: Greenland halibut <i>Reinhardtius hippoglossoides</i>		Zone: I, II (Norwegian waters) GHL/1N2AB.
Germany	37	
United Kingdom	37	
EC	75	
TAC	Not relevant	
<div style="border: 1px solid black; padding: 5px;"> <p>Article 3 of Regulation (EC) No 847/96 does not apply. Article 4 of Regulation (EC) No 847/96 does not apply. Article 5(2) of Regulation (EC) No 847/96 applies.</p> </div>		

▼ B

Species: Greenland halibut <i>Reinhardtius hippoglossoides</i>	Zone: I, II (International waters) GHL/1/2INT
EC	0
TAC	Not relevant

Species: Greenland halibut <i>Reinhardtius hippoglossoides</i>	Zone: V, XIV (Greenland waters) GHL/514GRN
Germany	5 154
United Kingdom	271
EC	6 300 ⁽¹⁾
TAC	Not relevant

Article 3 of Regulation (EC) No 847/96 does not apply.
Article 4 of Regulation (EC) No 847/96 does not apply.
Article 5(2) of Regulation (EC) No 847/96 applies.

⁽¹⁾ Of which 800 tonnes are allocated to Norway and 75 tonnes are allocated to the Faroe Islands.

Species: Greenland halibut <i>Reinhardtius hippoglossoides</i>	Zone: NAFO 0,1 (Greenland waters) GHL/N01GRN
Germany	550
EC	1 500 ⁽¹⁾
TAC	Not relevant

Article 3 of Regulation (EC) No 847/96 does not apply.
Article 4 of Regulation (EC) No 847/96 does not apply.
Article 5(2) of Regulation (EC) No 847/96 applies.

⁽¹⁾ Of which 800 tonnes are allocated to Norway and 150 tonnes are allocated to the Faroe Islands.

Species: Mackerel <i>Scomber scombrus</i>	Zone: IIa (Norwegian waters) MAC/02A-N.
Denmark	9 000 ⁽¹⁾
EC	9 000 ⁽¹⁾
TAC	Not relevant

Article 3 of Regulation (EC) No 847/96 does not apply.
Article 4 of Regulation (EC) No 847/96 does not apply.
Article 5(2) of Regulation (EC) No 847/96 applies.

⁽¹⁾ May also be fished in Subarea IV (Norwegian waters) and in Division IIa (international waters) (MAC/*4N-2A).

▼ B

Species: Mackerel <i>Scomber scombrus</i>	Zone: Vb (Faroese waters) MAC/05B-F.
Denmark	2 908 ⁽¹⁾
EC	2 908
TAC	Not relevant

Article 3 of Regulation (EC) No 847/96 does not apply.
Article 4 of Regulation (EC) No 847/96 does not apply.
Article 5(2) of Regulation (EC) No 847/96 applies.

⁽¹⁾ May be fished in IVa (EC waters) (MAC/*04A.).

Species: Redfish <i>Sebastes</i> spp.	Zone: V, XII, XIV ⁽¹⁾ ⁽²⁾ RED/51214.
Estonia	284 ⁽²⁾ ⁽³⁾
Germany	5 772 ⁽²⁾ ⁽³⁾
Spain	1 014 ⁽²⁾ ⁽³⁾
France	539 ⁽²⁾ ⁽³⁾
Ireland	2 ⁽²⁾ ⁽³⁾
Latvia	103 ⁽²⁾ ⁽³⁾
The Netherlands	3 ⁽²⁾ ⁽³⁾
Poland	520 ⁽²⁾ ⁽³⁾
Portugal	1 212 ⁽²⁾ ⁽³⁾
United Kingdom	14 ⁽²⁾ ⁽³⁾
EC	9 463 ⁽²⁾
TAC	62 416

Article 3 of Regulation (EC) No 847/96 does not apply.
Article 4 of Regulation (EC) No 847/96 does not apply.
Article 5(2) of Regulation (EC) No 847/96 applies.

⁽¹⁾ EC waters and international waters.

⁽²⁾ May be taken in the NAFO Regulatory Area Subarea 2, Divisions IF and 3K but shall be counted against the quota for V, XII, XIV within a total quota of 15 675 tonnes (RED/*N1F3K).

⁽³⁾ No more than 80% of the quota may be taken before 1 July 2006.

▼ **B**

Species: Redfish <i>Sebastes</i> spp.		Zone: I, II (Norwegian waters) RED/IN2AB.
Germany	766 ⁽¹⁾	<div style="border: 1px solid black; padding: 5px;"> Article 3 of Regulation (EC) No 847/96 does not apply. Article 4 of Regulation (EC) No 847/96 does not apply. Article 5(2) of Regulation (EC) No 847/96 applies. </div>
Spain	95 ⁽¹⁾	
France	84 ⁽¹⁾	
Portugal	405 ⁽¹⁾	
United Kingdom	150 ⁽¹⁾	
EC	1 500 ⁽¹⁾	
TAC	Not relevant	

⁽¹⁾ Only as by-catch.

Species: Redfish <i>Sebastes</i> spp.		Zone: V, XIV (Greenland waters) RED/514GRN
Germany	9 356	<div style="border: 1px solid black; padding: 5px;"> Article 3 of Regulation (EC) No 847/96 does not apply. Article 4 of Regulation (EC) No 847/96 does not apply. Article 5(2) of Regulation (EC) No 847/96 applies. </div>
France	47	
United Kingdom	66	
EC	13 229 ⁽¹⁾ ⁽²⁾ ⁽³⁾	
TAC	Not relevant	

⁽¹⁾ May be fished by pelagic trawl. Catches from the bottom trawl fishery and the pelagic trawl fishery shall be reported separately. May be fished East or West.

⁽²⁾ 3 500 tonnes to be fished with pelagic trawl are allocated to Norway.

⁽³⁾ 260 tonnes are allocated to the Faroe Islands. Catches from the bottom trawl and pelagic trawl fisheries shall be reported separately.

▼ **M8**

Species:	Redfish Sebastes spp.	Zone:	Va (Icelandic waters) RED/05A-IS
Belgium	100	(¹) (²)	
Germany	1 690	(¹) (²)	
France	50	(¹) (²)	
United Kingdom	1 160	(¹) (²)	
EC	3 000	(¹) (²)	
TAC	Not relevant		

(¹) Including unavoidable by-catches (cod not allowed).

(²) To be fished between July and December.

▼ **B**

Species:	Redfish <i>Sebastes</i> spp.	Zone:	Vb (Faroese waters) RED/05B-F.
Belgium	21		
Germany	2 761		
France	186		
United Kingdom	32		
EC	3 000		
TAC	Not relevant		

Article 3 of Regulation (EC) No 847/96 does not apply.
Article 4 of Regulation (EC) No 847/96 does not apply.
Article 5(2) of Regulation (EC) No 847/96 applies.

Species:	By-catches	Zone:	NAFO 0, 1 (Greenland waters) XBC/ N01GRN
EC	2 000	(¹)	
TAC	Not relevant		

(¹) Refers to the combined by-catch of cod, catfish, skate, ling and tusk. The by-catch quantities of cod shall not exceed 100 tonnes. May be fished East or West.

▼ B

Species: Other species ⁽¹⁾		Zone: I, II (Norwegian waters) OTH/IN2AB.
Germany	150 ⁽¹⁾	
France	60 ⁽¹⁾	
United Kingdom	240 ⁽¹⁾	
EC	450 ⁽¹⁾	
TAC	Not relevant	

Article 3 of Regulation (EC) No 847/96 does not apply.
Article 4 of Regulation (EC) No 847/96 does not apply.
Article 5(2) of Regulation (EC) No 847/96 applies.

⁽¹⁾ Only as by-catch.

Species: Other species ⁽¹⁾		Zone: Vb (Faroese waters) OTH/05B-F.
Germany	305	
France	275	
United Kingdom	180	
EC	760	
TAC	Not relevant	

Article 3 of Regulation (EC) No 847/96 does not apply.
Article 4 of Regulation (EC) No 847/96 does not apply.
Article 5(2) of Regulation (EC) No 847/96 applies.

⁽¹⁾ Excluding fish species of no commercial value.

Species: Flatfish		Zone: Vb (Faroese waters) FLX/05B-F.
Germany	81	
France	63	
United Kingdom	306	
EC	450	
TAC	Not relevant	

Article 3 of Regulation (EC) No 847/96 does not apply.
Article 4 of Regulation (EC) No 847/96 does not apply.
Article 5(2) of Regulation (EC) No 847/96 applies.

▼B

ANNEX IC
NORTH WEST ATLANTIC
Area of NAFO

All TACs and associate conditions are adopted in the framework of NAFO.

Species: Cod <i>Gadus morhua</i>	Zone: NAFO 2J3KL COD/N2J3KL
--	---------------------------------------

EC 0 ⁽¹⁾

TAC 0 ⁽¹⁾

⁽¹⁾ There will be no direct fishing on this species, which will be caught only as by-catch within the rules set out in Article 29.

Species: Cod <i>Gadus morhua</i>	Zone: NAFO 3NO COD/N3NO.
--	------------------------------------

EC 0 ⁽¹⁾

TAC 0 ⁽¹⁾

⁽¹⁾ There will be no direct fishing on this species, which will be caught only as by-catch within the rules set out in Article 29.

Species: Cod <i>Gadus morhua</i>	Zone: NAFO 3M COD/N3M.
--	----------------------------------

EC 0 ⁽¹⁾

TAC 0 ⁽¹⁾

⁽¹⁾ There will be no direct fishing on this species, which will be caught only as by-catch within the rules set out in Article 29.

Species: Witch flounder <i>Glyptocephalus cynoglossus</i>	Zone: NAFO 2J3KL WIT/N2J3KL
---	---------------------------------------

EC 0 ⁽¹⁾

TAC 0 ⁽¹⁾

⁽¹⁾ There will be no direct fishing on this species, which will be caught only as by-catch within the rules set out in Article 29.

Species: Witch flounder <i>Glyptocephalus cynoglossus</i>	Zone: NAFO 3NO WIT/N3NO.
---	------------------------------------

EC 0 ⁽¹⁾

TAC 0 ⁽¹⁾

⁽¹⁾ There will be no direct fishing on this species, which will be caught only as by-catch within the rules set out in Article 29.

▼ **B**

Species: American plaice <i>Hippoglossoides platessoides</i>	Zone: NAFO 3M PLA/N3M.
--	----------------------------------

EC	0 ⁽¹⁾
TAC	0 ⁽¹⁾

⁽¹⁾ There will be no direct fishing on this species, which will be caught only as by-catch within the rules set out in Article 29.

Species: American plaice <i>Hippoglossoides platessoides</i>	Zone: NAFO 3LNO PLA/N3LNO.
--	--------------------------------------

EC	0 ⁽¹⁾
TAC	0 ⁽¹⁾

⁽¹⁾ There will be no direct fishing on this species, which will be caught only as by-catch within the rules set out in Article 29.

Species: Short fin squid <i>Illex illecebrosus</i>	Zone: NAFO sub-zones 3 and 4 SQL/N34.
--	---

Estonia	128 ⁽²⁾
Latvia	128 ⁽²⁾
Lithuania	128 ⁽²⁾
Poland	227 ⁽²⁾
EC	⁽¹⁾ ⁽²⁾
TAC	34 000

Article 3 of Regulation (EC) No 847/96 does not apply.
Article 4 of Regulation (EC) No 847/96 does not apply.
Article 5(2) of Regulation (EC) No 847/96 applies.

⁽¹⁾ No specified Community share, an amount of 29 467 tonnes is available to Canada and the EC Member States except Estonia, Latvia, Lithuania and Poland.

⁽²⁾ To be fished between 1 July and 31 December.

Species: Yellowtail flounder <i>Limanda ferruginea</i>	Zone: NAFO 3LNO YEL/N3LNO.
--	--------------------------------------

Estonia	pm
Latvia	pm
Lithuania	pm
Poland	pm
EC	0 ⁽¹⁾ ⁽²⁾
TAC	15 000

⁽¹⁾ Despite having access to a shared quota of 76 tonnes for the Community, it is decided to set this amount to 0. There will be no directed fishing on this species, which will be caught only as by-catches within the rules set out in Article 29.

⁽²⁾ Catches taken by vessels under this quota shall be reported to the Flag Member State and forwarded to the Executive Secretary of NAFO via the Commission at 48 hour intervals.

▼ B

Species: Capelin <i>Mallotus villosus</i>	Zone: NAFO 3NO CAP/N3NO.
---	------------------------------------

EC	0 ⁽¹⁾
TAC	0 ⁽¹⁾

⁽¹⁾ There will be no direct fishing on this species, which will be caught only as by-catch within the rules set out in Article 29.

Species: Northern prawn <i>Pandalus borealis</i>	Zone: NAFO 3L ⁽¹⁾ PRA/N3L.
--	---

Estonia	245 ⁽²⁾
Latvia	245 ⁽²⁾
Lithuania	245 ⁽²⁾
Poland	245 ⁽²⁾
EC	245 ⁽²⁾ ⁽³⁾
TAC	22 000

Article 3 of Regulation (EC) No 847/96 does not apply.
Article 4 of Regulation (EC) No 847/96 does not apply.
Article 5(2) of Regulation (EC) No 847/96 applies.

⁽¹⁾ Not including the box bounded by the following coordinates:

Point No	Latitude N	Longitude W
1	47°20'0	46°40'0
2	47°20'0	46°30'0
3	46°00'0	46°30'0
4	46°00'0	46°40'0

⁽²⁾ To be fished from 1 January to 31 March, 1 July to 14 September and 1 December to 31 December.

⁽³⁾ All Member States except Estonia, Latvia, Lithuania and Poland.

▼B

Species: Northern prawn <i>Pandalus borealis</i>	Zone: NAFO 3M ⁽¹⁾ PRA/N3M.
--	---

TAC pm ⁽¹⁾⁽¹⁾ Vessels may also fish this stock in Division 3L in the box bounded by the following coordinates:

Point No	Latitude N	Longitude W
1	47°20'0	46°40'0
2	47°20'0	46°30'0
3	46°00'0	46°30'0
4	46°00'0	46°40'0

When conducting a fishery for shrimp in this box, vessels shall, whether or not crossing the line separating NAFO Divisions 3L and 3M, report in accordance with point 1.3 of the Annex to Council Regulation (EEC) No 189/92 of 27 January 1992 adopting provisions for the application of control measures adopted by the Northwest Atlantic Fisheries Organisation (OJ L 21, 30.1.1992, p. 4, Regulation as last amended by Regulation (EC) No 1048/97 (OJ L 154, 12.6.1997, p. 1)). Moreover, fishing for shrimp shall be prohibited from 1 June to 31 December 2006 in the area bounded by the following coordinates:

Point No	Latitude N	Longitude W
1	47°55'0	45°00'0
2	47°30'0	44°15'0
3	46°55'0	44°15'0
4	46°35'0	44°30'0
5	46°35'0	45°40'0
6	47°30'0	45°40'0
7	47°55'0	45°00'0

⁽²⁾ Not relevant. Fishery managed by limitations in fishing effort. The Member States concerned shall issue special fishing permits for their fishing vessels engaging in this fishery, and shall notify those permits to the Commission prior to the commencement of the vessel's activity, in accordance with Regulation (EC) No 1627/94. By way of derogation from Article 8 of that Regulation, permits will only become valid if the Commission has not objected within five working days following the notification.

The maximum number of vessels and fishing time allowed shall be:

Member State	Maximum number of vessels	Maximum number of fishing days
Denmark	2	131
Estonia	8	1667
Spain	10	257
Latvia	4	490
Lithuania	7	579
Poland	1	100
Portugal	1	69

Each Member State shall, within 25 days following the calendar month in which the catches are made, report monthly to the Commission the fishing days spent in Division 3M and in the area defined in footnote (1).

▼**B**

Species: Greenland halibut <i>Reinhardtius hippoglossoides</i>		Zone: NAFO 3LMNO GHL/N3LMNO
Estonia	371	
Germany	378	
Latvia	52	
Lithuania	26	
Spain	5 072	
Portugal	2 139	
EC	8 038	
TAC	13 079	
<div style="border: 1px solid black; padding: 5px;"> <p>Article 3 of Regulation (EC) No 847/96 does not apply. Article 4 of Regulation (EC) No 847/96 does not apply. Article 5(2) of Regulation (EC) No 847/96 applies.</p> </div>		

Species: Skate <i>Rajidae</i>		Zone: NAFO 3LNO SRX/N3LNO.
Spain	6 561	
Portugal	1 274	
Estonia	546	
Lithuania	119	
EC	8 500	
TAC	13 500	
<div style="border: 1px solid black; padding: 5px;"> <p>Article 3 of Regulation (EC) No 847/96 does not apply. Article 4 of Regulation (EC) No 847/96 does not apply. Article 5(2) of Regulation (EC) No 847/96 applies.</p> </div>		

Species: Redfish <i>Sebastes</i> spp.		Zone: NAFO 3LN RED/N3LN.
EC	0 ⁽¹⁾	
TAC	0 ⁽¹⁾	

⁽¹⁾ There will be no direct fishing on this species, which will be caught only as by-catch within the rules set out in Article 29.

▼ **B**

Species: Redfish <i>Sebastes</i> spp.		Zone: NAFO 3M RED/N3M.
Estonia	1 571 ⁽¹⁾	
Germany	513 ⁽¹⁾	
Spain	233 ⁽¹⁾	
Latvia	1 571 ⁽¹⁾	
Lithuania	1 571 ⁽¹⁾	
Portugal	2 354 ⁽¹⁾	
EC	7 813 ⁽¹⁾	
TAC	5 000 ⁽¹⁾	

Article 3 of Regulation (EC) No 847/96 does not apply.
Article 4 of Regulation (EC) No 847/96 does not apply.
Article 5(2) of Regulation (EC) No 847/96 applies.

⁽¹⁾ This quota is subject to compliance with the TAC of 5 000 tonnes established for this stock. Upon exhaustion of the TAC, the directed fishery for this stock shall be stopped irrespective of the level of catches.

Species: Redfish <i>Sebastes</i> spp.		Zone: NAFO 3O RED/N3O.
Spain	1 771	
Portugal	5 229	
EC	7 000	
TAC	20 000	

Article 3 of Regulation (EC) No 847/96 does not apply.
Article 4 of Regulation (EC) No 847/96 does not apply.
Article 5(2) of Regulation (EC) No 847/96 applies.

Species: Redfish <i>Sebastes</i> spp.		Zone: NAFO Subarea 2, Divisions IF and 3K RED/N1F3K.
Latvia	364	
Lithuania	3 019	
TAC	3 383	

Species: White hake <i>Urophycis tenuis</i>		Zone: NAFO 3NO HKW/N3NO.
Spain	2 165	
Portugal	2 835	
EC	5 000	
TAC	8 500	

Article 3 of Regulation (EC) No 847/96 does not apply.
Article 4 of Regulation (EC) No 847/96 does not apply.
Article 5(2) of Regulation (EC) No 847/96 applies.



ANNEX ID

HIGHLY MIGRATORY FISH — All Areas

TACS in this area are adopted in the framework of international fisheries organisations on tuna fisheries, such as ICCAT and IATTC.

Species: Bluefin tuna <i>Thunnus thynnus</i>	Zone: Atlantic Ocean, east of longitude 45° W, and Mediterranean BFT/AE045W
Cyprus	(¹)
Greece	323
Spain	6 266
France	6 182
Italy	4 880
Malta	(¹)
Portugal	590
All Member States	60 (²)
EC	18 301
TAC	32 000

Article 3 of Regulation (EC) No 847/96 applies.
Article 4 of Regulation (EC) No 847/96 does not apply.
Article 5(2) of Regulation (EC) No 847/96 applies.

(¹) Cyprus and Malta may fish under the ICCAT 'Others' quota in accordance with the ICCAT Compliance Tables adopted at 2003 ICCAT annual meeting.

(²) Except Cyprus, Greece, Spain, France, Italy, Malta and Portugal, and only as by-catch.

Species: Swordfish <i>Xiphias gladius</i>	Zone: Atlantic Ocean, north of latitude 5° N SWO/AN05N
Spain	5 565
Portugal	1 010
All Member States	185,5 (¹)
EC	6 760,5
TAC	14 000

Article 3 of Regulation (EC) No 847/96 applies.
Article 4 of Regulation (EC) No 847/96 does not apply.
Article 5(2) of Regulation (EC) No 847/96 applies.

(¹) Except Spain and Portugal, and only as by-catch.

▼ **B**

Species: Swordfish <i>Xiphias gladius</i>		Zone: Atlantic Ocean, south of latitude 5° N SWO/AS05N
Spain	5 422,8	<div style="border: 1px solid black; padding: 5px;"> <p>Article 3 of Regulation (EC) No 847/96 applies. Article 4 of Regulation (EC) No 847/96 does not apply. Article 5(2) of Regulation (EC) No 847/96 applies.</p> </div>
Portugal	357,2	
EC	5 780	
TAC	16 055	

Species: Northern Albacore <i>Germo alalunga</i>		Zone: Atlantic Ocean, north of latitude 5°N ALB/AN05N
Ireland	5 678,7 ⁽¹⁾ ⁽²⁾	<div style="border: 1px solid black; padding: 5px;"> <p>Article 3 of Regulation (EC) No 847/96 applies. Article 4 of Regulation (EC) No 847/96 does not apply. Article 5(2) of Regulation (EC) No 847/96 applies.</p> </div>
Spain	24 282,5 ⁽¹⁾ ⁽²⁾	
France	7 784,9 ⁽¹⁾ ⁽²⁾	
United Kingdom	402,1 ⁽¹⁾ ⁽²⁾	
Portugal	2 672,3 ⁽¹⁾ ⁽²⁾	
EC	40 820,5 ⁽¹⁾ ⁽²⁾	
TAC	34 500	

⁽¹⁾ It is prohibited to use any gill net, bottom set gill net, trammel net and entangling net.

⁽²⁾ The number of Community vessels fishing for Northern Albacore as a target species is fixed to 1 253 vessels in accordance with Article 10(1) of Regulation (EC) No 973/2001.

⁽³⁾ The distribution between the Member States of the maximum number of fishing vessels flying the flag of a Member State authorised to fish for Northern Albacore as a target species in accordance with Article 10(4) of Regulation (EC) No 973/2001:

Member State	Maximum number of vessels
Ireland	50
Spain	730
France	151
United Kingdom	12
Portugal	310
EC	1 253

▼ **B**

Species: Southern Albacore <i>Germo alalunga</i>		Zone: Atlantic Ocean, south of latitude 5° N ALB/AS05N
Spain	943,7	<div style="border: 1px solid black; padding: 5px;"> <p>Article 3 of Regulation (EC) No 847/96 applies. Article 4 of Regulation (EC) No 847/96 does not apply. Article 5(2) of Regulation (EC) No 847/96 applies.</p> </div>
France	311	
Portugal	660	
EC	1 914,7	
TAC	30 915	
Species: Bigeye Tuna <i>Thunnus obesus</i>		Zone: Atlantic Ocean BET/ATLANT
Spain	24 616,1	<div style="border: 1px solid black; padding: 5px;"> <p>Article 3 of Regulation (EC) No 847/96 applies. Article 4 of Regulation (EC) No 847/96 does not apply. Article 5(2) of Regulation (EC) No 847/96 applies.</p> </div>
France	11 018,3	
Portugal	10 873,3	
EC	46 507,7	
TAC	90 000	
Species: Blue marlin <i>Makaira nigricans</i>		Zone: Atlantic Ocean BUM/ATLANT
EC	103	
TAC	Not relevant	
Species: White marlin <i>Tetrapturus alba</i>		Zone: Atlantic Ocean WHM/ATLANT
EC	46,5	
TAC	Not relevant	



ANNEX IE
ANTARCTIC

Area of CCAMLR

These TACs, adopted by CCAMLR, are not allocated to the members of CCAMLR and hence the Community share is undetermined. Catches are monitored by the Secretariat of CCAMLR, who will communicate when fishing must cease due to TAC exhaustion.

Species: Blackfin icefish <i>Chaenocephalus aceratus</i>	Zone: FAO 48.3 Antarctic SSI/F483.
--	--

TAC 2 200 ⁽¹⁾

⁽¹⁾ TAC to cover by-catches in any directed fishery. Wherever this by-catch TAC is exhausted, the directed fishery shall be closed.

Species: Unicorn icefish <i>Channichthys rhinoceratus</i>	Zone: FAO 58.5.2 Antarctic LIC/F5852.
---	---

TAC 150 ⁽¹⁾

⁽¹⁾ TAC to cover by-catches in the fisheries for *Dissostichus eleginoides* and *Champsocephalus gunnari*. Wherever this by-catch TAC is exhausted, the corresponding fisheries shall be closed.

Species: Antarctic icefish <i>Champsocephalus gunnari</i>	Zone: FAO 48.3 Antarctic ANI/F483.
---	--

TAC 2 244 ⁽¹⁾

⁽¹⁾ This TAC is applicable for the period 15 November 2005 to 14 November 2006. Fishing for this stock during the period 1 March to 31 May 2006 shall be limited to 561 tonnes.

Species: Antarctic icefish <i>Champsocephalus gunnari</i>	Zone: FAO 58.5.2 Antarctic ⁽¹⁾ ANI/F5852.
---	--

TAC 1 210 ⁽²⁾

⁽¹⁾ For the purpose of this TAC, the area open to the fishery is defined as that portion of FAO statistical division 58.5.2 that lies within the area enclosed by a line:

- (a) starting at the point where the meridian of longitude 72°15'E intersects the Australia–France Maritime Delimitation Agreement Boundary then south along the meridian to its intersection with the parallel of latitude 53°25'S;
- (b) then east along that parallel to its intersection with the meridian of longitude 74°E;
- (c) then northeasterly along the geodesic to the intersection of the parallel of latitude 52°40'S and the meridian of longitude 76°E;
- (d) then north along the meridian to its intersection with the parallel of latitude 52°S;
- (e) then northwesterly along the geodesic to the intersection of the parallel of latitude 51°S with the meridian of longitude 74°30'E; and
- (f) then southwesterly along the geodesic to the point of commencement.

⁽²⁾ This TAC shall be applicable for the period 1 December 2005 to 30 November 2006.

▼ B

Species: Antarctic toothfish <i>Dissostichus eleginoides</i>	Zone: FAO 48.3 Antarctic TOP/F483.
--	--

TAC 3 556 ⁽¹⁾ ⁽²⁾

Special conditions:

Within the limits of the abovementioned quota, no more than the quantities given below may be taken in the Subarea specified:

Management Area A: 48 0
W to 43 30 W – 52 30
S to 56 S (TOP/
*F483A)

Management Area B: 43 1 067
30 W to 40 W – 52 30
S to 56 S (TOP/
*F483B)

Management Area C: 40 2 489
W to 33 30 W – 52 30
S to 56 S (TOP/
*F483C)

⁽¹⁾ This TAC shall be applicable for long-line fishery in the period 1 May to 31 August 2006 and for pot fishery 1 December 2005 to 30 November 2006.

⁽²⁾ Including 177 tonnes of skates and rays and 177 tonnes of *Macrurus* spp. as by-catch.

Species: Antarctic toothfish <i>Dissostichus eleginoides</i>	Zone: FAO 48.4 Antarctic TOP/F484.
--	--

TAC 100 ⁽¹⁾ ⁽²⁾ ⁽³⁾

⁽¹⁾ To be fished only with long-lines.

⁽²⁾ This TAC shall be applicable during a fishing season defined as that applied in Subarea 48.3, or until the catch limit for *Dissostichus eleginoides* in Subarea 48.4 is reached, or until the catch limit for *Dissostichus eleginoides* in Subarea 48.3, as specified above, is reached, whichever is sooner.

⁽³⁾ Each vessel taking part in this fishery shall undertake a tagging program in accordance with the CCAMLR tagging protocol.

Species: Antarctic toothfish <i>Dissostichus eleginoides</i>	Zone: FAO 58.5.2 Antarctic TOP/F5852.
--	---

TAC 2 584 ⁽¹⁾ ⁽²⁾

⁽¹⁾ This TAC shall be applicable for trawl and pot fisheries in the period 1 December 2005 to 30 November 2006 and for the long-line fishery in the period 1 May to 31 August 2006.

⁽²⁾ This TAC is applicable for West of 79°20'E only. Fishing east of this meridian within this zone is prohibited (see Annex XIII).

Species: Krill <i>Euphausia superba</i>	Zone: FAO 48 KRI/F48.
---	---------------------------------

TAC 4 000 000 ⁽¹⁾

Special conditions:

Within the limits of the abovementioned quotas, no more than the quantities given below may be taken in the Subareas specified:

Subarea 48.1 (KRI/
*F481.) 1 008 000

Subarea 48.2 (KRI/
*F482.) 1 104 000

Subarea 48.3 (KRI/
*F483.) 1 056 000

Subarea 48.4 (KRI/
*F484.) 832 000

⁽¹⁾ This TAC shall be applicable for the period 1 December 2005 to 30 November 2006.

▼B

Species: Krill <i>Euphausia superba</i>	Zone: FAO 58.4.1 Antarctic KRI/F5841.
---	---

TAC 440 000 ⁽¹⁾

Special conditions:

Within the limits of the abovementioned quotas, no more than the quantities given below may be taken in the areas specified:

Division 58.4.1 West of 115° E (KRI/*F-41W) 277 000

Division 58.4.1 East of 115° E (KRI/*F-41E) 163 000

⁽¹⁾ This TAC shall be applicable for the period 1 December 2005 to 30 November 2006.

Species: Krill <i>Euphausia superba</i>	Zone: FAO 58.4.2 Antarctic KRI/F5842.
---	---

TAC 450 000 ⁽¹⁾

⁽¹⁾ This TAC shall be applicable for the period 1 December 2005 to 30 November 2006.

Species: Humped rockcod <i>Gobionotothen gibberifrons</i>	Zone: FAO 48.3 Antarctic NOG/F483.
---	--

TAC 1 470 ⁽¹⁾

⁽¹⁾ TAC to cover by-catches in any directed fishery. Wherever this by-catch TAC is exhausted, the directed fishery shall be closed.

Species: Grey rockcod <i>Lepidonotothen squamifrons</i>	Zone: FAO 48.3 Antarctic NOS/F483.
---	--

TAC 300 ⁽¹⁾

⁽¹⁾ TAC to cover by-catches in any directed fishery. Wherever this by-catch TAC is exhausted, the directed fishery shall be closed.

Species: Grey rockcod <i>Lepidonotothen squamifrons</i>	Zone: FAO 58.5.2 Antarctic NOS/F5852.
---	---

TAC 80 ⁽¹⁾

⁽¹⁾ TAC to cover by-catches in any directed fishery. Wherever this by-catch TAC is exhausted, the directed fishery shall be closed.

Species: Marbled rockcod <i>Notothenia rossii</i>	Zone: FAO 48.3 Antarctic NOR/F483.
---	--

TAC 300 ⁽¹⁾

⁽¹⁾ TAC to cover by-catches in any directed fishery. Wherever this by-catch TAC is exhausted, the directed fishery shall be closed.

Species: Crab <i>Paralomis</i> spp.	Zone: FAO 48.3 Antarctic PAI/F483.
---	--

TAC 1 600 ⁽¹⁾

⁽¹⁾ This TAC shall be applicable for the period 1 December 2005 to 30 November 2006.

▼B

Species: South Georgia icefish <i>Pseudochaenichthys georgianus</i>	Zone: FAO 48.3 Antarctic SGI/F483.
---	--

TAC 300 ⁽¹⁾

⁽¹⁾ TAC to cover by-catches in any directed fishery. Wherever this by-catch TAC is exhausted, the directed fishery shall be closed.

Species: Grenadier <i>Macrourus</i> spp.	Zone: FAO 58.5.2 Antarctic GRV/F5852.
--	---

TAC 360 ⁽¹⁾

⁽¹⁾ TAC to cover by-catches in the fisheries for *Dissostichus eleginoides* and *Champocephalus gunnari*. Wherever this by-catch TAC is exhausted, the corresponding fisheries shall be closed.

Species: Other species	Zone: FAO 58.5.2 Antarctic OTH/F5852.
-------------------------------	---

TAC 50 ⁽¹⁾

⁽¹⁾ TAC to cover by-catches in the fisheries for *Dissostichus eleginoides* and *Champocephalus gunnari*. Wherever this by-catch TAC is exhausted, the corresponding fisheries shall be closed.

Species: Skates and rays <i>Rajidae</i>	Zone: FAO 58.5.2 Antarctic SRX/F5852.
---	---

TAC 120 ⁽¹⁾ ⁽²⁾

⁽¹⁾ TAC to cover by-catches in the fisheries for *Dissostichus eleginoides* and *Champocephalus gunnari*. Wherever this by-catch TAC is exhausted, the corresponding fisheries shall be closed.

⁽²⁾ For the purposes of this TAC, skates and rays to be counted as one single species.

Species: Squid <i>Martialia hyadesi</i>	Zone: FAO 48.3 Antarctic SQS/F483.
---	--

TAC 2 500 ⁽¹⁾

⁽¹⁾ This TAC is applicable for the period 1 December 2005 to 30 November 2006.

▼B*ANNEX II**ANNEX IIA***FISHING EFFORT FOR VESSELS IN THE CONTEXT OF THE RECOVERY OF CERTAIN STOCKS****1. Scope**

The conditions laid down in this Annex shall apply to Community vessels of length overall equal to or greater than 10 metres, carrying on board any of the gears defined in point 4 and present in Area IV and Divisions IIa (EC waters) , IIIa, VIa, VIIa and VIIId. For the purposes of this Annex, a reference to the year 2006 means the period from 1 February 2006 to 31 January 2007.

2. Definitions of geographical areas

2.1. For the purposes of this Annex, the geographical area, representing all of following areas, shall apply:

- (a) Kattegat
- (b) Skagerrak, Area IV, and Divisions IIa (EC waters), and VIIId
- (c) Division VIIa
- (d) Division VIa

2.2. For vessels notified to the Commission as being equipped with vessel monitoring systems in accordance with Articles 5 and 6 of Regulation (EC) No 2244/2003, the following definition of ICES Division VIa shall apply:

Division VIa excluding that part of Division VIa that lies to the west of a line drawn by sequentially joining with rhumb lines the following positions, which shall be measured according to the WGS84 coordinate system:

60°00'N, 04°00'W
 59°45'N, 05°00'W
 59°30'N, 06°00'W
 59°00'N, 07°00'W
 58°30'N, 08°00'W
 58°00'N, 08°00'W
 58°00'N, 08°30'W
 56°00'N, 08°30'W
 56°00'N, 09°00'W
 55°00'N, 09°00'W
 55°00'N, 10°00'W
 54°30'N, 10°00'W

▼M8**3. Definition of days present within an area**

For the purpose of this Annex, a day present within an area shall be any continuous period of 24 hours (or part thereof) during which a vessel is present within the geographical area defined in point 2 and absent from port. The time from which the continuous period is measured is at the discretion of the Member State whose flag is flown by the vessel concerned.

▼B**4. Definition of fishing gear**

For the purpose of this Annex, the following groupings of fishing gears shall apply:

- (a) Trawls, Danish seines and similar gears, except beam trawls, of mesh size:

▼B

- (i) equal to or larger than 16 mm and less than 32 mm;
 - (ii) equal to or larger than 70 mm and less than 90 mm;
 - (iii) equal to or larger than 90 mm and less than 100 mm;
 - (iv) equal to or larger than 100 mm and less than 120 mm;
 - (v) equal to or larger than 120 mm;
- (b) Beam trawls of mesh size:
- (i) equal to or larger than 80 mm and less than 90 mm;
 - (ii) equal to or larger than 90 mm and less than 100 mm;
 - (iii) equal to or larger than 100 mm and less than 120 mm;
 - (iv) equal to or larger than 120 mm;
- c. Gillnets, entangling nets with mesh size, except trammel nets:
- (i) less than 110 mm;
 - (ii) equal to or larger than 110 mm and less than 220 mm;
 - (iii) equal to or larger than 220 mm;
- (d) Trammel nets.
- (e) Longlines.

IMPLEMENTATION OF FISHING EFFORT LIMITATIONS**5. Obligations of the Member States**

Each Member State shall ensure that, when carrying on board any of the fishing gears referred to in point 4, fishing vessels flying its flag and registered in the Community shall be present within an area defined in point 2 for no more than the number of days set out in point 8.

6. Levels of fishing effort

- 6.1. A Member State shall not permit fishing with a gear defined in point 4 in any areas defined in point 2 by any vessels flying its flag which have no record of such fishing activity in the years 2001, 2002, 2003, 2004 or 2005 in that area excluding the record of fishing activities as a result of transfer of days between fishing vessels unless it ensures that equivalent capacity, measured in kilowatts, is prevented from fishing in the area in question.

However, a vessel with a track record of using a gear defined in point 4 may be authorised to use a different gear defined in point 4, provided that the number of days allocated to this latter gear is greater than or equal to the number of days allocated to the first gear.

- 6.2. A vessel flying the flag of a Member State having no quotas in an area defined in point 2 shall not be permitted to fish with a gear defined in point 4 in that area, unless the vessel is allocated a quota after a transfer as permitted according to Article 20(5) of Regulation (EC) No 2371/2002 and is allocated days at sea according to point 15 of this Annex.

7. Calculation of fishing effort

A Member State shall not count against the days present within an area allocated to any of vessels flying its flag under this Annex any days when the vessel was present within an area but unable to fish because it was assisting another vessel in need of emergency aid nor any days when the vessel has been present within an area but unable to fish because it is transporting an injured person for emergency medical aid. The Member State shall provide justification to the Commission within one month of any decisions taken on this basis with associated evidence of the emergency from competent authorities.

8. Maximum number of days

- 8.1. For the purpose of fixing the maximum number of days a fishing vessel may be present within the area, the following special conditions shall apply in accordance with Table I:
- (a) The vessel must comply with the conditions laid down in Appendix 1

▼B

- (b) The vessel must comply with the conditions laid down in Appendix 2
- (c) The total landings of cod in 2002 made by the vessel, or by the vessel or vessels using similar gears and qualifying for this special condition, *mutatis mutandis*, that it has replaced in accordance with Community law, must represent less than 5% of the total landings of all species made by the vessel in 2002 according to the landings in live weight consigned in the Community logbook.
- (d) The total landings of cod, sole and plaice in 2002 made by the vessel, or by the vessel or vessels using similar gears and qualifying for this special condition, *mutatis mutandis*, that it has replaced in accordance with Community law, must represent less than 5% of the total landings of all species made by the vessel in 2002 according to the landings in live weight consigned in the Community logbook.
- (e) The total landings in 2002 made by the vessel, or by the vessel or vessels using similar gears and qualifying for this special condition, *mutatis mutandis*, that it has replaced in accordance with Community law, must represent less than 5% cod and more than 60% plaice of the total landings of all species made by the vessel in 2002 according to the landings in live weight consigned in the Community logbook.
- (f) The total landings in 2002 made by the vessel, or by the vessel or vessels using similar gears and qualifying for this special condition, *mutatis mutandis*, that it has replaced in accordance with Community law, must represent less than 5% cod and more than 5% turbot and lump sucker of the total landings of all species made by the vessel in 2002 according to the landings in live weight consigned in the Community logbook.
- (g) The vessel must be equipped with a trammel net of mesh size ≤ 110 mm and must be absent from port for no more than 24 hours at a time.
- (h) The vessel must fly the flag and be registered in a Member State having developed a system, approved by the Commission, of automatic suspension of fishing licences in respect of infringements by vessels qualifying for this special condition.

▼M8

- (i) The vessel shall have been present in the area in the year 2003, 2004 or 2005 with fishing gear on board referred to in point 4.b. In 2006 the quantities of cod retained on board shall represent less than 5 % of the total landings of all species made by the vessel according to the landings in live weight recorded in the Community logbook. During a management period when a vessel is making use of this provision the vessel may not at any time carry on board fishing gear other than that specified in points 4.b.iii or 4.b.iv.

▼B

- (j) The vessel must comply with conditions laid down in Appendix 3.
 - (k) The total landings in 2002 made by the vessel or by the vessels using similar gears and qualifying for this special condition *mutatis mutandis* that it has replaced in accordance with Community law, must represent less than 5% cod and more than 60% plaice of the total landings in live weight consigned in the Community logbook during the May - October period. At least 55% of the maximum number of days available under this special condition shall apply in the area east of 4°30'W in the months of May to October inclusive.
- 8.2. The maximum number of days per year for which a vessel may be present within any one of the areas defined as in point 2 having carried on board any one of the fishing gears referred to in point 4 is shown in Table I.
- 8.3. The maximum number of days per year for which a vessel may be present within any combination of areas defined in point 2 may not be higher than the highest number of days allocated for one of the areas composing it.
- 8.4. A day present within an area defined in point 2 of this Annex shall also count against the total number of days present within the area defined in

▼B

point 1 of Annex IIC for a vessel operating with the same gear categories.

- 8.5. Where a vessel crosses between two or more areas on a fishing trip the day shall be counted against the area in which the largest proportion of time was spent during that day.

9. Management periods

- 9.1. A Member State may divide the days within an area given in Table I into management periods of durations of one or more calendar months.
- 9.2. The number of days for which a vessel may be present within any of the areas defined in point 2 during a management period shall be fixed at the discretion of the Member State concerned.
- 9.3. In any given management period a vessel that has used the number of days present within the area for which it is eligible shall remain in port or out of any area referred to in point 2 for the remainder of the management period unless using only unregulated gear as described in point 18.

10. Allocation of additional days for permanent cessation of fishing activities

- 10.1. An additional number of days on which a vessel may be present within the area when carrying on board any of the gears referred to in point 4 may be allocated to Member States by the Commission on the basis of permanent cessations of fishing activities that have taken place since 1 January 2002 either in accordance with Article 7 of Council Regulation (EC) No 2792/1999 of 17 December 1999 laying down the detailed rules and arrangements regarding Community structural assistance in the fisheries sector⁽¹⁾ or resulting from other circumstances duly motivated by Member States. The effort expended in 2001 measured in kilowatt days of the withdrawn vessels using the gear in question shall be compared to comparable level of effort expended by all vessels using that gear during 2001. Any part of a day resulting from this calculation shall be rounded to the nearest whole day. This point shall not apply where a vessel has been replaced in accordance with point 6.2.
- 10.2. Member States wishing to benefit from the allocations referred to in point 10.1. shall submit a request to the Commission with reports containing the details of the permanent cessations of fishing activities in question.
- 10.3. On the basis of such a request the Commission may amend the number of days defined in point 8.2. for that Member State in accordance with the procedure laid down in Article 30(2) of Regulation (EC) No 2371/2002.
- 10.4. Any additional number of days resulting from permanent cessation of activity previously allocated by the Commission remains allocated in 2006.

11. Allocation of additional days for enhanced observer coverage

- 11.1. Three additional days on which a vessel may be present within the area when carrying onboard any of the gears referred to in point 4 may be allocated in 2006 to Member States by the Commission on the basis of an enhanced programme of observer coverage in partnership between scientists and the fishing industry. Such a programme shall focus in particular on levels of discarding and on catch composition.
- 11.2. Member States wishing to benefit from the allocations referred to in point 11.1 shall submit a description of their enhanced observer coverage programme.
- 11.3. On the basis of this description, and after consultation with STECF, the Commission may amend the number of days defined in point 8.2 for that Member State and for the area and gear grouping concerned in accordance with the procedure laid down in Article 30(2) of Regulation (EC) No 2371/2002.

⁽¹⁾ OJ L 337, 30.12.1999, p. 10. Regulation as last amended by Regulation (EC) No 485/2005 (OJ L 81, 30.3.2005, p. 1).

▼B

12. **Conditions for derogations from the normal allocation of days**
- 12.1 The special fishing permit referred to in Article 7(3) for any vessel benefiting of any special conditions listed in point 8.1. shall identify such conditions.
- 12.2 If an additional number of days is allocated to a vessel resulting from compliance with any of the special conditions listed in points 8.1.(b), (c), (d), (e), (f) or (k), the catches taken by that vessel and retained on board shall consist of no more than the percentage of those species referred to in these points. The vessel shall not tranship any fish to another vessel. When either of these conditions is not met by a vessel, ►C1 that vessel shall with immediate effect no longer be entitled to the additional days. ◀
- 13.

▼M8

TABLE I

Maximum days a vessel may be present in 2006 within an area by fishing gear

Gear group Point 4	Special condition Point 8	Denomination ⁽¹⁾	2.1.a Kattegat	Areas as defined in point:				
				2.1.b 1 — Skaggerak 2 — II, IVa,b,c 3 — VIId			2.1.c VIIa	2.1.d VIa
				1	2	3		
4.a.i		Trawls or Danish seines with mesh size ≥ 16 and < 32 mm	228 ⁽²⁾	228 ⁽²⁾			228	228
4.a.ii		Trawls or Danish seines with mesh size ≥ 70 and < 90 mm	n.r.	n.r.	227	227	227	
4.a.iii		Trawls or Danish seines with mesh size ≥ 90 and < 100 mm	103	103	227	227	227	
4.a.iv		Trawls or Danish seines with mesh size ≥ 100 and < 120 mm	103	103			114	91
4.a.v		Trawls or Danish seines with mesh size ≥ 120 mm	103	103			114	91
4.a.iii	8.1.a	Trawls or Danish seines with mesh size ≥ 90 and < 100 mm with a 120 mm square mesh window	137	137	227	227	227	
4.a.iv	8.1.a	Trawls or Danish seines with mesh size ≥ 100 and < 120 mm with a 120 mm square mesh window	137	137	103	114	91	
4.a.v	8.1.a	Trawls or Danish seines with mesh size ≥ 120 mm with a 120 mm square mesh window	137	137	103	114	91	
4.a.v	8.1.j	Trawls or Danish seines with mesh size ≥ 120 mm with a 140 mm square mesh window	149	149	115	126	103	
4.a.ii	8.1.b	Trawls or Danish seines with mesh size ≥ 70 and < 90 mm complying with the conditions laid down in Appendix 2	Unlimited	Unlimited			Unl.	Unl.

▼M8

			Areas as defined in point:					
Gear group Point 4	Special condition Point 8	Denomination (1)	2.1.a Kattegat	2.1.b 1 — Skaggeak 2 — II, IVa,b,c 3 — VIIId			2.1.c VIIa	2.1.d VIa
				1	2	3		
4.a.iii	8.1.b	Trawls or Danish seines with mesh size ≥ 90 and < 100 mm complying with the conditions laid down in Appendix 2	Unlimited	Unlimited			Unl.	Unl.
4.a.iv	8.1.c	Trawls or Danish seines with mesh size ≥ 100 and < 120 mm track records shall represent less than 5 % of cod	148	148			148	148
4.a.v	8.1.c	Trawls or Danish seines with mesh size ≥ 120 mm track records shall represent less than 5 % of cod	160	160			160	160
4.a.iv	8.1.k	Trawls or Danish seines with mesh size ≥ 100 and < 120 mm track records shall represent less than 5 % of cod and more than 60 % of plaice	n.r.	n.r.			166	n.r.
4.a.v	8.1.k	Trawls or Danish seines with mesh size ≥ 120 mm track records shall represent less than 5 % of cod and more than 60 % of plaice	n.r.	n.r.			178	n.r.
4.a.v	8.1.h	Trawls or Danish seines with mesh size ≥ 120 mm operating under a system of automatic suspension of fishing licences	115	115			126	103
4.a.ii	8.1.d	Trawls or Danish seines with mesh size ≥ 70 and < 90 mm track records represent less than 5 % of cod, sole and plaice	280	280			280	280
4.a.iii	8.1.d	Trawls or Danish seines with mesh size ≥ 90 and < 100 mm track records represent less than 5 % of cod, sole and plaice	Unlimited	Unl.	280		280	280
4.a.iv	8.1.d	Trawls or Danish seines with mesh size ≥ 100 and < 120 mm track records represent less than 5 % of cod, sole and plaice	Unlimited	Unlimited			Unl.	Unl.
4.a.v	8.1.d	Trawls or Danish seines with mesh size > 120 mm track records represent less than 5 % of cod, sole and plaice	Unlimited	Unlimited			Unl.	Unl.
4.a.v	8.1.h 8.1.j	Trawls or Danish seines with mesh size > 120 mm with a 140 mm square mesh window and operating under a system of automatic suspension of fishing licenses	n.r.	n.r.	127		138	115

▼M8

			Areas as defined in point:						
Gear group Point 4	Special condition Point 8	Denomination ⁽¹⁾	2.1.a Kattegat	2.1.b 1 — Skaggeak 2 — II, IVa,b,c 3 — VIIId			2.1.c VIIa	2.1.d VIa	
				1	2	3			
4.b.i		Beam trawls with mesh size ≥ 80 and < 90 mm	n.r.	143 ⁽²⁾			Unl.	143	143 ⁽²⁾
4.b.ii		Beam trawls with mesh size ≥ 90 and < 100 mm	n.r.	143 ⁽²⁾			Unl.	143	143 ⁽²⁾
4.b.iii		Beam trawls with mesh size ≥ 100 and < 120 mm	n.r.	143			Unl.	143	143
4.b.iv		Beam trawls with mesh size ≥ 120 mm	n.r.	143			Unl.	143	143
4.b.iii	8.1.c	Beam trawls with mesh size ≥ 100 and < 120 mm track records shall represent less than 5 % of cod	n.r.	155			Unl.	155	155
4.b.iii	8.1.i	Beam trawls with mesh size ≥ 100 and < 120 mm for vessels having used beam trawls in 2003, 2004 or 2005	n.r.	155			Unl.	155	155
4.b.iv	8.1.c	Beam trawls with mesh size ≥ 120 mm track records shall represent less than 5 % of cod	n.r.	155			Unl.	155	155
4.b.iv	8.1.i	Beam trawls with mesh size ≥ 120 mm for vessels having used beam in 2003, 2004 or 2005	n.r.	155			Unl.	155	155
4.b.iv	8.1.e	Beam trawls with mesh size ≥ 120 mm track records shall represent less than 5 % of cod and more than 60 % of plaice	n.r.	155			Unl.	155	155
4.c.i 4.c.ii 4.c.iii 4.d		Gillnets and entangling nets with mesh sizes: — < 110 mm — ≥ 110 mm and < 220 mm — ≥ 220 mm and trammel nets	140	140			140	140	
4.c.iii	8.1.f	Gillnets and entangling nets with mesh size ≥ 220 mm track records shall represent less than 5 % of cod and more than 5 % of turbot and lumpsucker	162	140	162	140	140	140	
4.d	8.1.g	Trammel nets with mesh size < 110 mm. The vessel shall be absent from the port no more than 24 h	140	140			205	140	140
4.e		Long-lines	173	173			173	173	

(¹) Only the denominations in points 4 and 8 are used.
(²) Application of Regulation (EC) No 850/98 where restrictions exist.
n.r. means non relevant.

▼B**EXCHANGES OF FISHING EFFORT ALLOCATIONS AND DAYS PRESENT WITHIN AN AREA****14. Transfer of days between fishing vessels flying the flag of a Member State**

14.1. According to provisions laid down in point 6, a Member State may permit any fishing vessels flying its flag to transfer days present within an area referred to in point 2 for which it is eligible to another vessel flying its flag provided that the product of the days received by a vessel and its engine power in kilowatts (kilowatt days) is equal to or less than the product of the days transferred by the donor vessel and the engine power in kilowatts of that vessel. The engine power in kilowatts of the vessels shall be that recorded for each vessel in the Community fishing fleet register.

14.2. The total number of days present within an area referred to in point 2 under point 14.1. multiplied by the engine power in kilowatts of the donor vessel shall not be higher than the donor vessel's average annual days track record excluding transfers from other vessels in that area as verified by the Community logbook in the years 2001, 2002, 2003 and 2004 multiplied by the engine power in kilowatts of that vessel. When a donor vessel uses the area definition of West of Scotland as defined in point 2.2 its track record calculation will be based on this area definition.

For the purposes of this point, the recipient vessel is deemed to use its own allocated days before any days transferred to it. Transferred days used by the recipient vessel are counted towards the track record of the donor vessel.

▼M8

14.3. For the purposes of this Annex and referring to the areas defined in point 2 and the groupings of fishing gears defined in point 4, the following transfer groups shall be defined:

- (a) grouping of fishing gears 4.a.i within any area;
- (b) groupings of fishing gears 4.a.ii within any area and 4.a.iii in Area IV, Divisions IIa (EC waters) VIa, VIIa and VIId;
- (c) groupings of fishing gears 4.a.iii in Kattegat and Skagerak, 4.a.iv and 4.a.v within any area;
- (d) groupings of fishing gears 4.b.i, 4.b.ii, 4.b.iii, and 4.b.iv within any area;
- (e) groupings of fishing gears 4.c.i, 4.c.ii, 4.c.iii and 4.d within any area;
- (f) grouping of fishing gears 4.e within any area.

▼B

14.4. The transfer of days as described in point 14.1. shall only be permitted between vessels operating within the same transfer group and during the same management period. A Member State may allow a transfer of days when a licensed donor vessel has temporarily ceased its activity without public aid.

14.5. No transfer of days from vessels benefiting from the allocation under conditions referred to in points 8.1. and 17 is permitted.

▼M8

14.6. On request from the Commission, Member States shall provide information on the transfers that have taken place. With the purpose of making this information available to the Commission, a detailed format of spreadsheet may be adopted, in accordance with the procedure referred to in Article 30(2) of Regulation (EC) No 2371/2002.

▼B**15. Transfer of days between fishing vessels flying the flag of different Member States**

Different Member States may permit transfer of days present within an area for the same management period and within the same area between any fishing vessels flying their flags provided the same provisions as laid down in points 6.1, 6.2, 7 and 14 apply. Where Member States decide to authorise such a transfer, they shall notify the Commission before such transfers take place of the transfer expressed in number of days and in fishing effort and the quotas relating thereto.

▼B**USE OF FISHING GEAR****16. Notification of fishing gear**

Before the first day of each management period the master of a vessel or his representative shall notify to the authorities of the flag Member State which gear or gears he intends to use during the forthcoming management period. Until such notification is provided the vessel shall not be entitled to fish within the areas defined in point 2 with any of the gears referred to in point 4.

17. Use of more than one grouping of fishing gear

17.1. A vessel may use gears belonging to more than one grouping of fishing gears defined under point 4 during one management period.

▼M8

17.2. Whenever the master of a vessel or his representative notifies the use of more than one of the groupings of fishing gears defined under point 4, the total number of days available during the year shall be no more than the arithmetic mean of the days corresponding to each gear grouping in accordance with Table I, rounded down to the nearest whole day.

17.2.a. If one of the gear groupings notified has no limitation in number of days, then the total number of days available during the year for this particular gear grouping shall remain unlimited.

17.2.b. At any moment, a vessel may use one of the gear groupings notified, which have a limited number of days, subject to the condition that the total number of days spent fishing with whichever gear grouping since the beginning of the year shall be:

(a) no more than the number of days available under point 17.2;

and

(b) no more than the number of days that would be allocated if that gear was used in isolation in accordance with Table I.

17.2.c. Whenever a Member State chooses to divide the days into management periods in accordance with point 9, the conditions of points 17.2, 17.2.a. and 17.2.b. shall apply *mutatis mutandis* for each future management period. If a Member State has chosen one management period of the duration of a year, the conditions of points 17.2.a. and 17.2.b. shall not apply.

▼B

17.3. The option to use more than one gear shall only be available if the following additional monitoring arrangements are met:

(a) during a given trip the fishing vessel may carry on board or use only one of the fishing gears referred to in point 4, except as provided for in point 19.2;

(b) before any trip the master of a vessel or his representative shall give prior notice to the competent authorities of the type of fishing gear that is to be carried on board or used unless the type of fishing gear has not changed from the one notified for the previous trip.

▼M8

17.4. Inspection and surveillance at sea and in port by the competent authorities shall be undertaken for verification of compliance with the requirements referred to in point 17.3. Any vessel found not to be complying with these requirements shall with immediate effect no longer be permitted to use more than one grouping of fishing gears.

▼B**18. Combined use of regulated and unregulated fishing gear**

A vessel wishing to combine the use of one or more of the fishing gears referred to in point 4 (regulated gears) with any other fishing gears not referred to in point 4 (unregulated gears) shall not be restricted in their use of the unregulated gear. Such vessels must pre-notify when the regulated gear is to be used. When no such notification has been given no gear referred to in point 4 may be carried on board. Such vessels must be authorised and equipped to undertake the alternative fishing activity.

▼B**19. Prohibition of carrying on board more than one regulated fishing gear**

- 19.1. A vessel which is present within any of the areas defined in point 2 and carrying on board a fishing gear belonging to one of the groupings of fishing gears referred to in point 4 may not simultaneously carry on board any gear belonging to one of the other groupings of fishing gears referred to in point 4.
- 19.2. By way of derogation from point 19.1 a vessel may carry on board in an area referred to in point 2 fishing gears belonging to different groupings of fishing gears if the number of days allocated to these gear groups in that area is identical.

NON-FISHING RELATED ACTIVITIES AND TRANSIT**20. Non-fishing related activities**

In any given management period a vessel may undertake non-fishing related activities, without that time being counted against its days allocated under point 8, provided that the vessel first notifies its flag Member State of its intention to do so, the nature of its activity and that it surrenders its fishing licence for this time. Such vessels shall not carry any fishing gear or fish on board during that time.

21. Transit

A vessel is allowed to transit across the area provided that it has no fishing permit to operate in the area or that it has first notified its authorities of its intention to do so. While that vessel is within the area any fishing gears carried on board must be lashed and stowed in accordance with conditions laid down in Article 20(1) of Regulation (EEC) No 2847/93.

VESSEL MONITORING SYSTEMS OBLIGATIONS**22. Recording of relevant data**

Member States shall ensure that the following data received pursuant to Articles 8, 10(1) and 11(1) of Commission Regulation (EC) No 2244/2003 are recorded in a computer-readable form:

- (a) entry into, and exit from port;
- (b) each entry into, and exit from maritime areas where specific rules on access to waters and resources apply.

23. Cross-checks

Member States shall verify the submission of logbooks and relevant information recorded in the logbook by using VMS data. Such cross-checks shall be recorded and made available to the Commission on request.

REPORTING OBLIGATIONS**24. Collection of relevant data**

Member States, on the basis of information used for the management of fishing days absent from port and present within the areas as set out in this Annex, shall collect for each quarter the information about total fishing effort deployed in the areas defined in point 2 for towed gears, static gears and demersal longlines and effort deployed by vessels using different types of gear in the areas concerned by this Annex.

▼M8**25. Communication of relevant data**

- 25.1. On request from the Commission, Member States shall make available to it a spreadsheet with the data referred to in point 24 in the format specified in Tables II and III by sending it to the appropriate electronic mailbox address, which shall be communicated to the Member States by the Commission.
- 25.2. A new format of spreadsheet for making the data referred to in point 24 available to the Commission may be adopted in accordance with the procedure referred to in Article 30(2) of Regulation (EC) No 2371/2002.

▼B*Appendix 1 to Annex IIA*

1. A copy of the special permits referred to in point 12.1. of this Annex shall be kept on board the fishing vessel.
2. When holding the special fishing permit the vessel shall only keep on board and use a towed net with an exit window ►**C1** as specified in point 3 of this appendix. ◀ The gear shall be approved by the national inspectors before commencing fishing.
3. Escape window
 - 3.1. The window shall be inserted in the untapered section with a minimum of 80 open meshes in the circumference. ►**C1** The window shall be inserted into the top panel. ◀ There shall be no more than two open diamond meshes between the posterior row of meshes in the side of the window and the adjacent selvedge. The window shall terminate no more than six metres from cod-line. The joining rate shall be two diamond meshes to one square mesh.
 - 3.2. The window shall be at least three meters in length. The meshes shall have a minimum opening of 120 mm. The meshes shall be square meshes, i.e. all four sides of the window netting will be cut bars. The netting shall be mounted such that the bars run parallel and perpendicular to the length of the cod-end.
 - 3.3. The netting of square-meshed panel shall be knotless single twine. The window shall be inserted in such a way that the meshes remain fully open at all times when fishing. The window shall not be obstructed in any way by either internal or external attachments.

▼B*Appendix 2 to Annex IIA*

1. A copy of the special permits referred to in point 12.1. of this Annex shall be kept on board the fishing vessel.
2. When holding the special fishing permit the vessel shall only keep on board and use a towed net with grid designated ► **C1** to separate Norway lobster from round fish as specified in point 3 of this appendix ◀ or any other devices with similar proven selective properties. The gear shall be approved by the national inspectors before commencing fishing.
3. Grid
 - 3.1. The grid shall be rectangular. The bars of the grid shall be parallel to the longitudinal axis of the grid. The bar spacing of the grid shall not exceed 35 mm. It shall be permitted to use one or more hinges in order to facilitate the storage on the net drum.
 - 3.2. The grid shall be mounted diagonally in the trawl, upwards backwards, anywhere from just in front of the codend to 10 metres up in the extension piece. All sides of the grid shall be attached to the trawl.
 - 3.3. In the upper panel of the trawl there shall be an unblocked fish outlet in immediate connection to the upper side of the grid. The opening of the fish outlet shall have the same width in the posterior side as the width of the grid and shall be cut out to a tip in the anterior direction along mesh bars from both sides of the grid.
 - 3.4. It shall be permitted to attach in front of the grid a funnel to lead the fish towards the trawl floor and grid. The minimum mesh size of the funnel shall be the minimum mesh size of the codend. The minimum vertical opening of the guiding funnel towards the grid shall be 30 centimetres. The width of the guiding funnel towards the grid shall be the grid width.
4. For vessels holding a special fishing permit referred to in point 12.1. of this annex the catch retained onboard shall consist of less than 5 % of cod and more than 70 % of Norway lobster.

▼B*Appendix 3 to Annex IIA*

1. A copy of the special permits referred to in point 12.1. of this Annex shall be kept on board the fishing vessel.
2. When holding the special fishing permit the vessel shall only keep on board and use a towed net with an exit window ► **C1** as specified in point 3 of this appendix. ◀ The gear shall be approved by the national inspectors before commencing fishing.
3. Escape window
 - 3.1. The window shall be inserted in the untapered section with a minimum of 80 open meshes in the circumference. The window shall be inserted into the top panel. There shall be no more than two open diamond meshes between the posterior row of meshes in the side of the window and the adjacent selvedge. The window shall terminate no more than 6 metres from cod-line. The joining rate shall be two diamond meshes to one square mesh.
 - 3.2. The window shall be at least three meters in length. The meshes shall have a minimum opening of 140 mm. The meshes shall be square meshes i.e. all four sides of the window netting will be cut bars. The netting shall be mounted such that the bars run parallel and perpendicular to the length of the codend.
 - 3.3. The netting of square-meshed panel shall be knotless single twine. The window shall be inserted in such a way that the meshes remain fully open at all times when fishing. The window shall not be obstructed in any way by either internal or external attachments.

▼B*ANNEX IIB***FISHING EFFORT FOR VESSELS IN THE CONTEXT OF THE RECOVERY OF CERTAIN SOUTHERN HAKE AND NEPHROPS STOCKS****1. Scope**

The conditions laid down in this Annex shall apply to Community vessels of length overall equal to or greater than 10 metres, carrying on board towed and static gears defined in point 3 and present in Divisions VIIIc and IXa excluding the Gulf of Cadiz. For the purposes of this Annex, a reference to the year 2006 means the period from 1 February 2006 to 31 January 2007

▼M8**2. Definition of days present within an area**

For the purpose of this Annex, a day present within an area shall be any continuous period of 24 hours (or part thereof) during which a vessel is present within the geographical area defined in point 1 and absent from port. The time from which the continuous period is measured is at the discretion of the Member State whose flag is flown by the vessel concerned.

▼B**3. Definition of fishing gear**

For the purpose of this Annex, the following groupings of fishing gears shall apply:

- (a) Trawls, Danish seines and similar gears of mesh size:
 - (i) equal to or larger than 32 mm and less than 55 mm;
 - (ii) equal to or larger than 55 mm;
- (b) Gill-nets of mesh size:
 - (i) equal to or larger than 60 mm and less than 80 mm;
 - (ii) equal to or larger than 80 mm;
- (c) Bottom long-lines.

IMPLEMENTATION OF FISHING EFFORT LIMITATIONS**4. Obligations of the Member States**

Each Member State shall ensure that, when carrying on board any of the fishing gears referred to in point 3, fishing vessels flying its flag and registered in the Community shall be present within the area for no more than the number of days specified in point 7.

5. Levels of fishing effort

- 5.1. A Member State shall not permit fishing with a gear defined in point 3 in the area by any of its vessels which have no record of such fishing activity in the years 2002, 2003, 2004 or 2005 in the area, excluding the record of fishing activities as a result of transfer of days between fishing vessels, unless it ensures that equivalent capacity, measured in kilowatts, is prevented from fishing in the regulated area.

However, a vessel with a track record of using a gear defined in point 3 may be authorised to use a different gear defined in point 3, provided that the number of days allocated to this latter gear is greater than or equal to the number of days allocated to the first gear.

- 5.2. A vessel flying the flag of a Member State having no quotas in the area defined in point 1 shall not be permitted to fish with a gear defined in point 3 in that area, unless the vessel is allocated a quota after a transfer as permitted according to the Article 20 (5) of Regulation (EC) No 2371/2002 and is allocated days at sea according to point 13 of this Annex.

6. Calculation of fishing effort

A Member State shall not count against the days allocated to any of its vessels under this Annex either any days when the vessel has been present within the area but unable to fish because it was assisting

▼B

another vessel in need of emergency aid or any days when a vessel has been present within the area but unable to fish because it is transporting an injured person for emergency medical aid. The Member State shall provide justification to the Commission within one month of any decisions taken on this basis with associated evidence of the emergency from the competent authorities.

NUMBER OF DAYS PRESENT WITHIN THE AREA ALLOCATED TO FISHING VESSELS

7. Maximum number of days

7.1. For the purposes of fixing the maximum number of days a fishing vessel may be present within the area, the following special conditions shall apply in accordance with Table I:

(a) The total landings of hake in any of the years 2001, 2002 and 2003 made by the vessel, or by the vessel or vessels using similar gears and qualifying for this special condition, *mutatis mutandis*, that it has replaced in accordance with Community law, shall represent less than 5 tonnes according to the landings in live weight consigned in the Community logbook, and;

(b) The total landings of Norway lobster in any of the years 2001, 2002 and 2003 made by the vessel, or by the vessel or vessels using similar gears and qualifying for this special condition, *mutatis mutandis*, that it has replaced in accordance with Community law, shall represent less than 2,5 tonnes according to the landings in live weight consigned in the Community logbook.

7.2. The maximum number of days 2006per year for which a vessel may be present within the area having carried on board any one of the fishing gears referred to in point 3 is shown in Table I.

8. Management periods

8.1. A Member State may divide the days present within the area given in Table I into management periods of durations one or more calendar month.

8.2. The number of days for which a vessel may be present within the area during a management period shall be fixed at the discretion of the Member State concerned

8.3. In any given management period a vessel may undertake non-fishing related activities, without that time being counted against its days allocated under point 7, provided that the vessel first notifies its flag Member State of its intention to do so, the nature of its activity and that it surrenders its fishing licence for this time. Such vessels shall not carry any fishing gear or fish on board during that time.

9. Allocation of additional days for permanent cessations of fishing activities

9.1. An additional number of days on which a vessel may be present within the area when carrying on board any of the gears referred to in point 3 may be allocated to Member States by the Commission on the basis of permanent cessations of fishing activities that have taken place since 1 January 2004 either in accordance with Article 7 of Regulation (EC) No 2792/1999 or resulting from other circumstances duly motivated by Member States. Any vessels that can be shown to have been definitively withdrawn from the area may also be considered. The additional number of days allocated to vessels in a given gear category will be directly proportional to the fishing effort expended in 2003 measured in kilowatt days of the withdrawn vessels using the gear in question compared to the comparable level of effort expended by all vessels using that gear during 2003. Any part of a day resulting from this calculation shall be rounded to the nearest whole day. . This point shall not apply where a vessel has been replaced in accordance with point 5.2.

9.2. Member States wishing to benefit from the allocations referred to in point 9.1. shall submit a request to the Commission with reports containing the details of permanent cessations of fishing activities in question.

9.3. On the basis of such a request the Commission may amend the number of days defined in point 7.2. for that Member State in accordance with the procedure laid down in Article 30(2) of Regulation (EC) No 2371/2002.

▼B**10. Allocation of additional days for enhanced observer coverage**

- 10.1. Three additional days on which a vessel may be present within the area when carrying onboard any of the gears referred to in point 4 may be allocated in 2006 to Member States by the Commission on the basis of an enhanced programme of observer coverage in partnership between scientists and the fishing industry. Such a programme shall focus in particular on levels of discarding and on catch composition.
- 10.2. Member States wishing to benefit from the allocations referred to in point 10.1 shall submit a description of their enhanced observer coverage programme.
- 10.3. On the basis of this description, and after consultation with STECF, the Commission may amend the number of days defined in point 8.2 for that Member State and for the area and gear grouping concerned in accordance with the procedure laid down in Article 30(2) of Regulation (EC) No 2371/2002.

11. Conditions for derogations from the normal allocation of days

- 11.1. If a vessel has received an additional number of days resulting from compliance with the special conditions listed in points 7.1(a) and 7.1(b) the vessel's landings shall not in 2006 exceed 5 tonnes live weight of hake and 2,5 tonnes live weight of Norway lobster.
- 11.2. The vessel shall not tranship any fish at sea to another vessel.
- 11.3. When either of these conditions is not met by a vessel, that vessel shall with immediate effect no longer be entitled to the additional days.

Table I Maximum number of days a vessel may be present within the area by fishing gear per year

Gear group point 3	Special conditions point 7	Denomination ⁽¹⁾	Maximum number of days
3.a.i		Bottom trawls of mesh size ≥ 32 and < 55 mm	240
3.a.ii		Bottom trawls of mesh size equal or larger than 55 mm	240
3.b.i		Gill-nets of mesh size ≥ 60 and < 80 mm	240
3.c		Bottom long-lines	240
3.a.i	7.1(a) and 7.1(b)	Bottom trawls of mesh size ≥ 32 and < 55 mm	Unlimited
3.a.ii	7.1(a) and 7.1(b)	Bottom trawls of mesh size ≥ 55 mm	unlimited
3.b.i	7.1(a)	Gill-nets of mesh size ≥ 60 and < 80 mm	Unlimited
3.c	7.1(a)	Bottom long-lines	Unlimited

⁽¹⁾ Only the denominations in points 3 and 7 are used.

EXCHANGES OF FISHING EFFORT ALLOCATIONS AND DAYS PRESENT WITHIN THE AREA

12. Transfer of days between vessels flying the flag of a Member State

- 12.1. According to provisions laid down in point 5, a Member State may permit any fishing vessel flying its flag to transfer days present within the area for which it is eligible to another vessel flying its flag within the area provided that the product of the days received by a vessel multiplied by its engine power in kilowatts (kilowatt days) is equal to or less than the product of the days transferred by the donor vessel and the engine power in kilowatts of that vessel. The engine power in kilowatts of the vessels shall be that recorded for each vessel in the Community fishing fleet register.
- 12.2. The total number of days present within the area transferred under point 12.1. multiplied by the engine power in kilowatts of the donor vessel shall not be higher than the donor vessel's average annual days track record in the area as verified by the Community logbook in the years 2001, 2002 and 2003 and 2004, multiplied by the engine power in kilowatts of that vessel.

▼B

- 12.3. The transfer of days as described in 12.1. shall be permitted only between vessels operating within the same gear group and during the same management period.

▼M8

- 12.4. No transfer of days from vessels benefiting from the allocation referred to in point 7.1 shall be permitted.
- 12.5. On request from the Commission, Member States shall provide information on the transfers that have taken place. Formats of spreadsheet for the collection and transmission of information referred to in the present point may be adopted in accordance with the procedure referred to in Article 30(2) of Regulation (EC) No 2371/2002.

▼B

13. **Transfer of days between fishing vessels flying the flag of different Member States**

Member States may permit transfer of days present within the area referred to in point 1 for the same management period and within the area between any fishing vessels flying their flags provided the same provisions as laid down in points 5.1., 5.2., 6 and 12. Where Member States decide to authorize such a transfer, as a preliminary they shall notify the Commission not only of that transfer expressed in number of days and in fishing effort but also expressed in fishing quotas relating thereto, as agreed between them.

USE OF FISHING GEAR

14. **Notification of fishing gear**

14.1. Before the first day of each management period the master of a vessel or his representative shall notify to the authorities of the flag Member State which gear or gears he intends to use during the forthcoming management period. Until such notification is provided the vessel will not be entitled to fish within the area with any of the gears referred to in point 3.

14.2. Point 14.1 shall not apply to fishing vessels authorised by a Member State to use only one of the gear types defined in point 3.

15. **Combined use of regulated and unregulated fishing gear**

A vessel wishing to combine the use of one or more of the fishing gears referred to in point 3 (regulated gears) with any other fishing gears not referred to in point 3 (unregulated gears) will not be restricted in their use of the unregulated gear. Such vessels must pre notify when the regulated gear is to be used. When no such notification has been given, no gear referred to in point 3 may be carried on board. Such vessels must be authorised and equipped to undertake the alternative fishing activity.

16. **Transit**

A vessel is allowed to transit across the area provided that it has no fishing permit to operate in the area or that it has first notified its authorities of its intention to do so. While that vessel is within the area any fishing gears carried on board must be lashed and stowed in accordance with conditions laid down in Article 20(1) of Regulation (EEC) No 2847/93.

MONITORING, INSPECTION AND SURVEILLANCE

17. **Recording of relevant data**

Member States shall ensure that the following data received pursuant to Articles 8, 10(1) and 11(1) of Commission Regulation (EC) No 2244/2003 are recorded in a computer-readable form:

- (a) entry into, and exit from port;
- (b) each entry into, and exit from maritime areas where specific rules on access to waters and resources apply.

18. **Cross-checks**

Member States shall verify the submission of logbooks and relevant information recorded in the logbook by using VMS data. Such cross-

▼B

checks shall be recorded and made available to the Commission on request

REPORTING OBLIGATIONS**19. Collection of relevant data**

Member States, on the basis of information used for the management of fishing days present within the area as set out in this Annex, shall collect, for each quarter the information about total fishing effort deployed within the area defined in point 1 for towed gears, static gears and longlines and effort deployed by vessels using different types of gear in the area concerned by this Annex.

▼M8**20. Communication of relevant data**

20.1. On request of the Commission, Member States shall make available to the Commission a spreadsheet with the data referred to in point 19 in the format specified in Tables II and III by sending it to the appropriate electronic mailbox address, which shall be communicated to the Member States by the Commission.

20.2. A new format of spreadsheet for making the data referred to in point 19 available to the Commission may be adopted in accordance with the procedure referred to laid down in Article 30(2) of Regulation (EC) No 2371/2002.

▼B*ANNEX IIC***FISHING EFFORT FOR VESSELS IN THE CONTEXT OF THE RECOVERY OF WESTERN CHANNEL SOLE STOCKS****▼M8****1. Scope**

- 1.1. The conditions laid down in this Annex shall apply to Community vessels of length overall equal to or greater than 10 metres carrying on board any of the gears defined in point 3, and present in Division VIIe. For the purposes of this Annex, a reference to the year 2006 means the period from 1 February 2006 to 31 January 2007.
- 1.2. Vessels fishing with static nets greater than 120 mm and with track records of less than 300 kg live weight of sole according to the EC logbook in 2004 shall be exempt from the provisions of this Annex on the conditions that:
 - (a) such vessels catch less than 300 kg live weight of sole in 2006, and
 - (b) such vessels do not tranship any fish at sea to another vessel, and
 - (c) each Member State concerned submit a report to the Commission by 31 July 2006 and 31 January 2007 on these vessels' track records for sole in 2004 and catches of sole in 2006.

When either of these conditions is not met, the concerned vessels shall with immediate effect no longer be exempted from the provisions of this Annex.

2. Definition of days present within an area

For the purpose of this Annex, a day present within an area shall be any continuous period of 24 hours (or part thereof) during which a vessel is present within the Division VIIe and absent from port. The time from which the continuous period is measured is at the discretion of the Member State whose flag is flown by the vessel concerned.

▼B**3. Definition of fishing gear**

For the purposes of this Annex, the following groupings of fishing gears shall apply:

- (a) Beam trawls of mesh size equal to or greater than 80 mm;
- (b) Static nets including gill-nets, trammel-nets and tangle-nets with mesh size less than 220 mm.

IMPLEMENTATION OF FISHING EFFORT LIMITATIONS**4. Obligations of the member States**

Each Member State shall ensure that, when carrying on board any of the fishing gears referred to in point 3, fishing vessels flying its flag and registered in the Community shall be present within the area for no more than the number of days set out in point 7.

5. Levels of fishing effort

- 5.1. A Member State shall not permit fishing with a gear defined in point 3 in the area by any of its vessels which have no record of such fishing activity ►C1 in the years 2002, 2003, 2004 or 2005 in that area ◀ unless it ensures that equivalent capacity, measured in kilowatts, is prevented from fishing in the regulated area.

However, a vessel with a track record of using a gear defined in point 3 may be authorised to use a different gear defined in point 3, provided that the number of days allocated to this latter gear is greater than or equal to the number of days allocated to the first gear.

- 5.2. A vessel flying the flag of a Member State having no quotas in the area defined in point 1 shall not be permitted to fish with a gear defined in point 3 in that area, unless the vessel is allocated a quota after a transfer

▼B

as permitted according to the Article 20(5) of Regulation (EC) No 2371/2002 and is allocated days at sea ►C1 according to point 13 of this Annex. ◀

6. Calculation of the fishing effort

A Member State shall not count against the days allocated to any of its vessels under this Annex either any days when the vessel has been present within the area but unable to fish because it was assisting another vessel in need of emergency aid or any days when a vessel has been present within the area but unable to fish because it is transporting an injured person for emergency medical aid. The Member State shall provide justification to the Commission within one month of any decisions taken on this basis with associated evidence of the emergency from the competent authorities.

NUMBER OF DAYS PRESENT WITHIN THE AREA ALLOCATED TO FISHING VESSELS**▼M8****7. Maximum number of days**

- 7.1. The maximum number of days per year for which a vessel may be present within the area having carried on board and used any one of the fishing gears referred to in point 3 is shown in Table I.
- 7.2. The number of days per year for which a vessel is present within the total area covered by this Annex and Annex IIA shall not exceed the number shown in Table I of this Annex. However the number of days in which the vessel is present in the areas covered in Annex IIA shall comply with the maximum number fixed in accordance with Annex IIA.

▼B**8. Management periods**

- 8.1. Member States may divide the days present within the area given in Table I into management periods of durations of one or more calendar months.
- 8.2. The number of days for which a vessel may be present within the area during a management period shall be fixed at the discretion of Member States concerned.
- 8.3. In any given management period a vessel that has used the number of days present within the area for which it is eligible shall remain in port or out of the area for the remainder of the management period unless using a gear for which no maximum number of days has been fixed

9. Allocation of additional days for permanent cessations of fishing activities

- 9.1. An additional number of days on which a vessel may be present within the area when carrying on board any of the gears referred to in point 3 may be allocated to Member States by the Commission on the basis of permanent cessations of fishing activities that have taken place since 1 January 2004 either in accordance with Article 7 of Regulation (EC) No 2792/1999 or resulting from other circumstances duly motivated by Member States. The additional number of days allocated to vessels in a given gear category will be directly proportional to the fishing effort expended in 2003 measured in kilowatt days of the withdrawn vessels using the gear in question compared to the comparable level of effort expended by all vessels using that gear during 2003. Any part of a day resulting from this calculation shall be rounded to the nearest whole day. This point shall not apply where a vessel has been replaced in accordance with point 5.2
- 9.2. Member States wishing to benefit from such allocations shall submit a request to the Commission with reports containing the details the permanent cessations of fishing activities in question.
- 9.3. On the basis of such a request the Commission may amend the number of days defined in point 7.1 for that Member State in accordance with the procedure laid down in Article 30(2) of Regulation (EC) No 2371/2002.

10. Allocation of additional days for enhanced observer coverage

- 10.1 Three additional days on which a vessel may be present within the area when ►C1 carrying on board any of the gears referred to in point 3 ◀

▼ B

may be allocated in 2006 to Member States by the Commission on the basis of an enhanced programme of observer coverage in partnership between scientists and the fishing industry. Such a programme shall focus in particular on levels of discarding and on catch composition.

- 10.2 Member States wishing to benefit from the allocations referred to in point 10.1 shall submit a description of their enhanced observer coverage programme.
- 10.3 On the basis of this description, and after consultation with STECF, the Commission ►C1 may amend the number of days defined in point 7 ◀ for the Member State concerned and for the area and gear grouping concerned in accordance with the procedure laid down in Article 30(2) of Regulation (EC) No 2371/2002.

▼ M8

TABLE I

Maximum number of days a vessel may be present within the area by fishing gear per year

Gear group point 3	Denomination ⁽¹⁾	Western Channel
3.a	Beam trawls of mesh size \geq 80 mm	216
3.b	Static nets with mesh size < 220 mm	216

⁽¹⁾ Only the denominations in point 3.

▼ B

EXCHANGES OF FISHING EFFORT ALLOCATIONS AND DAYS PRESENT WITHIN THE AREA

12. **Transfer of days between fishing vessels flying the flag of a Member State**
- 12.1. In accordance with the provisions laid down in point 5, a Member State may permit any of its fishing vessels flying its flag to transfer days present within the area for which it is eligible to another of its vessels flying its flag within the area provided that the product of the days received by a vessel and its engine power in kilowatts (kilowatt days) is equal to or less than the product of the days transferred by the donor vessel and the engine power in kilowatts of that vessel. The engine power in kilowatts of the vessels shall be that recorded for each vessel in the Community fishing fleet register.
- 12.2. The total number of days present within the area transferred under point 12.1. multiplied by the engine power in kilowatts of the donor vessel shall not be higher than the donor vessel's average annual days track record in the area as verified by the Community logbook in the years 2001, 2002, 2003 and 2004, multiplied by the engine power in kilowatts of that vessel.
- 12.3. The transfer of days as described in point 12.1. shall be permitted only between vessels operating within the same gear grouping referred to in point 3. and during the same management period.

▼ M8

- 12.4. On request from the Commission, Member States shall provide reports on the transfers that have taken place. A detailed format of spreadsheet for making these reports available to the Commission may be adopted in accordance with the procedure laid down in Article 30(2) of Regulation (EC) No 2371/2002.

▼ B

13. **Transfer of days between fishing vessels flying the flag of different Member States**

Member States may permit transfer of days present within the area for the same management period and within the area between any fishing vessels flying their flags provided the same provisions as laid down in points 5.1., 5.2, 6 and 12. Where Member States decide to authorize such a transfer, as a preliminary they shall notify the Commission not only of

▼B

that transfer expressed in number of days and in fishing effort but also expressed in fishing quotas relating thereto, as agreed between them.

USE OF FISHING GEAR**14. Notification of fishing gear**

Before the first day of each management period the master of a vessel or his representative shall notify to the authorities of the flag Member State which gear or gears he intends to use during the forthcoming management period. Until such notification is provided the vessel shall not be entitled to fish within the area defined in point 1 with any of the gears referred to in point 3.

15. Non-fishing related activities.

In any given management period a vessel may undertake non-fishing related activities, without that time being counted against its days allocated under point 7, provided that the vessel first notifies its flag Member State of its intention to do so, the nature of its activity and that it surrenders its fishing licence for that time. Such vessels shall not carry any fishing gear or fish on board during that time.

16. Transit

A vessel shall be allowed to transit across the area provided that it has no fishing permit to operate in the area or it has first notified its authorities of its intention to do so. While that vessel is within the area any fishing gears carried on board must be lashed and stowed in accordance with conditions laid down in Article 20(1) of Regulation (EEC) No 2847/93.

MONITORING, INSPECTION AND SURVEILLANCE**▼M8****17. Fishing effort messages**

Articles 19b, 19c, 19d, 19e and 19k of Regulation (EEC) No 2847/93 shall apply to vessels carrying on board the fishing gears defined in point 3 and operating in the area defined in point 1. Vessels equipped with vessel monitoring systems in accordance with Article 5 and 6 of Regulation (EC) No 2244/2003 shall be excluded from these hailing requirements.

▼B**18. Recording of relevant data**

Member States shall ensure that the following data received pursuant to Articles 8, 10(1) and 11(1) of Regulation (EC) No 2244/2003 are recorded in a computer-readable form:

- (a) entry into, and exit from port;
- (b) each entry into, and exit from maritime areas where specific rules on access to waters and resources apply.

19. Cross-checks

Member States shall verify the submission of logbooks and relevant information recorded in the logbook by using VMS data. Such cross-checks shall be recorded and made available to the Commission on request.

20. Alternative control measures

Member States may implement alternative control measures to ensure compliance with the obligations referred in point 17 of this Annex which are as effective and transparent as these reporting obligations. Such alternative measures shall be notified to the Commission before being implemented.

21. Prior notification of transshipments and landings

The master of a Community vessel or his representative wishing to tranship any quantity retained on board or to land in a port or landing location of a third-country shall inform the competent authorities of the flag Member State at least 24 hours prior to transshipping or to landing in a third-country the information referred to in Article 19b of Regulation (EEC) No 2847/93.

▼B**22. Margin of tolerance in the estimation of quantities reported in the logbook**

By way of derogation from Article 5(2) of Commission Regulation (EEC) No 2807/83, the permitted margin of tolerance, when estimating quantities, in kilograms retained on board of vessels referred to in point 17 shall be 8 % of the logbook figure. ►C1 Where no conversion factors ◀ are laid down in Community legislation, the conversion factors adopted by the Member states whose flag the vessel is flying shall apply.

23. Separate stowage

When quantities of sole greater than 50 kg are stowed on board a vessel, it shall be prohibited to retain on board a fishing vessel in any container any quantity of Sole mixed with any other species of marine organism. The masters of Community vessels shall give inspectors of Member States such assistance as will enable the quantities declared in the logbook and the catches of sole retained on board to be cross checked.

24. Weighing

24.1. The competent authorities of a Member State shall ensure that any quantity of sole exceeding 300 kg caught in the area shall be weighed using auction room scales before sale.

24.2. The competent authorities of a Member State may require that any quantity of sole exceeding 300 kg caught in the area and first landed in that Member State is weighed in the presence of controllers before being transported from the port of first landing.

25. Transport

By way of derogation from Article 13 of Regulation (EEC) No 2847/93, quantities greater than 50 kg of any species in fisheries referred to in Article 7 of this Regulation which are transported to a place other than that of landing or import shall be accompanied by a copy of one of the declarations provided for in Article 8(1) of Regulation (EEC) No 2847/93 pertaining to the quantities of these species transported. The exemption provided for in Article 13(4)(b) of Regulation (EEC) No 2847/93 shall not apply.

26. Specific monitoring programme

By way of derogation from Article 34c(1) of Regulation (EEC) No 2847/93, the specific monitoring programme for any of the stocks in fisheries referred to in Article 7 may last more than two years from their date of entry into force.

REPORTING OBLIGATIONS**27. Collection of relevant data**

Member States, on the basis of information used for the management of fishing days present within the area as set out in this Annex, shall collect for each quarter the information about total fishing effort deployed within the area for towed gears and static gears and effort deployed by vessels using different types of gear in the area concerned by this Annex.

▼M8**28. Communication of relevant data**

28.1. On request of the Commission, Members States shall make available to it a spreadsheet with the data referred to in point 27 in the format specified in Tables II and III by sending it to the appropriate electronic mailbox address, which shall be communicated to the Member States by the Commission.

28.2. A new format of spreadsheet may be adopted for the purpose of making the data referred to in point 27 available to the Commission may be adopted in accordance with the procedure laid down in Article 30(2) of Regulation (EC) No 2371/2002.

▼B*ANNEX III***FISHING EFFORT FOR VESSELS FISHING FOR SANDEEL IN SUBAREA IV AND DIVISIONS IIA, AND IIIA**

1. The conditions laid down in this Annex shall apply to Community vessels fishing in Division IIIa, Division Iia (EC waters) and Subarea IV with demersal trawl, seine or similar towed gears with a mesh size of less than 16 mm.
2. For the purposes of this Annex a day present within the area shall be:
 - (a) the 24-hour period between 00:00 hours of a calendar day and 24:00 hours of the same calendar day or any part of such a period or;
 - (b) any continuous period of 24 hours as recorded in the Community logbook between the date and time of departure and the date and time of arrival or any part of any such time period.
3. Each Member State concerned shall, not later than 1 March 2006, establish a data base containing for Subarea IV and Division IIIa, for each of the years 2002, 2003 and 2004 and for each vessel flying its flag or registered within the Community which have been fishing with demersal trawl, seine or similar towed gears with a mesh size of less than 16 mm, the following information:
 - (a) the name and internal registration number of the vessel;
 - (b) the installed engine power of the vessel in kilowatts measured in accordance with Article 5 of Regulation (EEC) No 2930/86;
 - (c) the number of days present within the area when fishing with demersal trawl, seine or similar towed gear with a mesh size of less than 16 mm;
 - (d) the kilowatt-days as the product of the number of days present within the area and the installed engine power in kilowatts.
4. The following quantities shall be calculated by each Member State:
 - (a) the total kilowatt-days for each year as the sum of the kilowatt-days calculated in point 3(d);
 - (b) the average kilowatt-days for the period 2002 to 2004.

▼M1

5. Each Member State shall ensure that the number of kilowatt-days in 2006 for vessels flying its flag or registered in the Community does not exceed the level in 2003 as calculated in point 4(a).

▼B

6. The maximum number of kilowatt-days referred to in point 5 and the TAC and quotas for sandeel in zones Iia (EC waters), IIIa, and IV (EC waters) as laid down in Annex I to this Regulation shall be revised by the Commission as early as possible based on advice from the STECF on the size of the 2005 year class of North Sea sandeel, in accordance with the following rules:
 - (a) where STECF estimates the size of the 2005 year class of North Sea sandeel to be at or above 500 000 million individuals at age 0, no restrictions in kilowatt-days shall apply for the remaining of 2006 and the TAC for 2006 shall be fixed at 600 000 tonnes;
 - (b) where STECF estimates the size of the 2005 year class of North Sea sandeel to be between 300 000 million and 500 000 million individuals at age 0, the number of kilowatt-days shall not exceed the level in 2003 as calculated in point 4(a) and the TAC for 2006 shall be fixed at 300 000 tonnes;
 - (c) where STECF estimates the size of the 2005 year class of North Sea sandeel to be below 300 000 million individuals at age 0, fishing with demersal trawl, seine or similar towed gears with a mesh size of less than 16 mm shall be prohibited for the remainder of 2006. However, a limited fishery shall be allowed in order to monitor the sandeel stocks in ICES Division IIIa and Subarea IV and the effects of the closure. To this end the Member States concerned shall, in cooperation with the Commission, develop a plan for the monitoring fishery.



ANNEX III

TRANSITIONAL TECHNICAL AND CONTROL MEASURES

Part A

North Atlantic including the North Sea, Skagerrak and Kattegat

1. Landing and weighing procedures for herring, mackerel and horse mackerel

1.1. Scope

1.1.1. The following procedures shall apply to landings in the European Community by Community and third country vessels of quantities per landing exceeding 10 tonnes of herring, mackerel, and horse mackerel, or a combination thereof, taken in:

- (a) for herring, ICES Subareas I, II, IV, VI and VII and Divisions III a, and Vb;
- (b) for mackerel and horse mackerel, in ICES Subareas III, IV, VI and VII and Division IIa.

1.2. Designated ports

1.2.1. Landings referred to in point 1.1 are only permitted in designated ports.

1.2.2. Each Member State concerned shall transmit to the Commission changes in the list, transmitted in 2004, of designated ports in which landings of herring, mackerel and horse mackerel may take place and, changes in inspection and surveillance procedures for those ports including the terms and conditions for recording and reporting the quantities of any of the species and stocks referred to in point 1.1.1. within each landing. Those changes shall be transmitted at least 15 days before they enter into force. The Commission shall transmit this information as well as ports designated by third countries to all Member States concerned

1.3. Entry to port

1.3.1. The master of a fishing vessel referred to in point 1.1.1. or his agent shall inform the competent authorities of the Member State in which the landing is to be made, at least 4 hours in advance of entry to port of landing of the Member State concerned of the following:

- (a) the port he intends to enter, the name of the vessel and its registration number;
- (b) the estimated time of arrival at that port;
- (c) the quantities in kilograms live weight by species retained on board;
- (d) the management area in accordance with Annex I to this Regulation where the catch was taken.

1.4. Discharge

1.4.1. The competent authorities of the Member State concerned shall require that the discharge does not commence until authorised to do so.

1.5. Logbook

1.5.1. By way of derogation from the provisions of point 4.2 of Annex IV to Regulation (EEC) No 2807/83, the master of a fishing vessel shall submit, immediately upon arrival to port, the relevant page or pages of the logbook to the competent authority at the port of landing.

The quantities retained on board, notified prior to landing as referred to in point 1.3.1.(c), shall be equal to the quantities recorded in the logbook after its completion.

▼B

By way of derogation from the provisions of Article 5 (2) of Regulation (EEC) No 2807/83 the permitted margin of tolerance in estimates recorded into the logbook of the quantities in kilograms of fish retained on board of vessels shall be 8 %.

1.6. *Weighing of fresh fish*

1.6.1. All buyers purchasing fresh fish shall ensure that all quantities received are weighed on systems approved by the competent authorities. The weighing shall be carried out prior to the fish being sorted, processed, held in storage and transported from the port of landing or resold. The figure resulting from the weighing shall be used for the completion of landing declarations, sales notes and take-over declarations.

1.6.2. When determining the weight any deduction for water shall not exceed 2 %.

1.7. *Weighing of fresh fish after transport*

1.7.1. By way of derogation from point 1.6.1. Member States may permit fresh fish to be weighed after transport from the port of landing provided that the fish is transported to a destination on the territory of the Member State no more than 100 kilometres from the port of landing and that:

(a) the tanker in which the fish is transported is accompanied by an inspector from the place of landing to the place where the fish is weighed, or

(b) approval is given by the competent authorities at the place of landing to transport the fish subject to the following provisions:

(i) immediately prior to the tanker leaving the port of landing, the buyer or his agent shall provide to the competent authorities a written declaration giving the species of the fish and name of the vessel from which it is to be discharged, the unique identity number of the tanker and details of the destination where the fish will be weighed as well as the estimated time of arrival of the tanker at the destination;

(ii) a copy of the declaration provided for in (i) shall be kept by the driver during the transport of the fish and handed over to the receiver of the fish at the destination.

1.8. *Weighing of frozen fish*

1.8.1. All buyers or holders of frozen fish shall ensure that the quantities landed are weighed prior to the fish being processed, held in storage, transported from the port of landing or resold. Any tare weight equal to the weight of boxes, plastic or other containers in which the fish to be weighed is packed may be deducted from the weight of any quantities landed.

1.8.2. Alternatively, the weight of frozen fish packed in boxes may be determined by multiplying the average weight of a representative sample based on weighing the contents removed from the box and without plastic packaging whether or not after the thawing of any ice on the surface of the fish. Member States shall notify to the Commission for approval any changes in their sampling methodology approved by the Commission during 2004. Changes shall be approved by the Commission. The figure resulting from the weighing shall be used for the completion of landing declarations, sales notes and take-over declarations.

1.9. *Sales note and take-over declaration*

1.9.1. In addition to the provisions of Article 9 (5) of Regulation (EC) No 2847/93 the processor or buyer of all fish landed shall submit a copy of the sales note or take-over declaration to the competent authorities of the Member State concerned on demand but in any event no later than 48 hours after the completion of the weighing.

▼B1.10 *Weighing facilities*

- 1.10.1. In cases where publicly operated weighing facilities are used the party weighing the fish shall issue to the buyer a weighing slip indicating the date and time of the weighing and the identity number of the tanker. A copy of the weighing slip shall be attached to the sales note or take-over declaration.
- 1.10.2. In cases where privately operated weighing facilities are used the system shall be approved, calibrated and sealed by the competent authorities and be subject to the following provisions:
- (a) the party weighing the fish shall keep a paginated weighing logbook indicating:
 - (i) the name and registration number of the vessel from which the fish has been landed,
 - (ii) the identity number of the tankers in cases where fish has been transported from the port of landing before weighing,
 - (iii) the species of fish,
 - (iv) the weight of each landing,
 - (v) the date and time of the beginning and end of the weighing.
 - (b) where the weighing is carried out on a conveyor belt system a visible counter shall be fitted that records the cumulative total of the weight. Such cumulative total shall be recorded in the paginated logbook referred to in point (a);
 - (c) the weighing logbook and the copies of written declarations provided for in point 1.7.1. (b) (ii) shall be kept for three years.

1.11. *Access by competent authorities*

The competent authorities shall have full access at all times to the weighing system, the weighing logbooks, written declarations and all premises where the fish is processed and kept.

1.12. *Cross checks*

- 1.12.1. The competent authorities shall carry out administrative cross checks on all landings between the following:
- (a) quantities by species indicated in the prior notice of landing, referred to in point 1.3.1 and the quantities recorded in the vessel's logbook,
 - (b) quantities by species recorded in the vessel's logbook and the quantities recorded in the landing declaration,
 - (c) quantities by species recorded on the landing declaration and the quantities recorded in the take-over declaration or the sales note.

1.13. *Full inspection*

- 1.13.1. The competent authorities of a Member State shall ensure that at least 15 % of the quantities of fish landed and at least 10 % of the landings of fish are subject to full inspections which shall include at least the following:
- (a) monitoring of the weighing of the catch from the vessel, by species. In the case of vessels pumping catch ashore the weighing of the entire discharge from the vessels selected for inspection shall be monitored. In the case of freezer trawlers, all boxes shall be counted. A representative sample of boxes/pallets shall be weighed in order to arrive at an average weight for the boxes/pallets. Sampling of boxes shall also be undertaken according to an approved methodology in order to arrive at an average net weight for the fish (without packing, ice);
 - (b) in addition to the cross checks referred to in point 1.12 cross verification between the following:

▼B

- (i) quantities by species recorded in the weighing logbook and the quantities by species recorded in the take-over declaration or the sales note;
- (ii) the written declarations received by the competent authorities pursuant to point 1.7.1. (b) (i) and the written declarations held by the receiver of the fish pursuant to point 1.7.1 (b) (ii);
- (iii) identity numbers of tankers that appear in the written declarations provided for in point 1.7.1 (b) (i) and the weighing logbooks;
- (c) if the discharge is interrupted, permission shall be required before the discharge can recommence;
- (d) verification that the vessel is empty of all fish, once the discharge has been completed.

1.14. *Documentation*

1.14.1. All inspection activities covered by point 1 shall be documented. Such documentation shall be kept for 3 years.

2. **Fishing for herring in ICES Division IIa (EC waters)**

It shall be prohibited to land or retain on board herring caught in Division IIa (EC waters) in the periods 1 January to 28 February and 16 May to 31 December.

3. **Technical conservation measures in the Skagerrak and in the Kattegat**

By way of derogation from the provisions set out in Annex IV of Regulation (EC) No 850/98, the provisions in Appendix 1 to this Annex shall apply.

4. **Restrictions on fishing for Cod**4.1. *ICES Division VIa*

Until 31 December 2006, it shall be prohibited to conduct any fishing activity within the areas enclosed by sequentially joining with rhumb lines the following positions, which shall be measured according to the WGS84 coordinate system:

59°05'N, 06°45'W

59°30'N, 06°00'W

59°40'N, 05°00'W

60°00'N, 04°00'W

59°30'N, 04°00'W

59°05'N, 06°45'W.

4.2. *ICES Divisions VII f and g*

From 1 February 2006 until 31 March 2006, it shall be prohibited to conduct any fishing activity in the following ICES rectangles: 30E4, 31E4, 32E3. This prohibition shall not apply within 6 nautical miles from the baseline.

4.3. *By way of derogation from points 4.1. and 4.2. it shall be permitted to conduct fishing activities using pots and creels within the specified areas and time periods, provided that:*

- (i) no fishing gear other than pots and creels are carried on board, and
- (ii) no fish other than shellfish and crustacea are retained on board.

4.4. *By way of derogation from points 4.1. and 4.2., it shall be permitted to conduct fishing activities within the areas referred to in those points using nets of mesh size less than 55 mm, provided that:*

- (i) no net of mesh size greater than or equal to 55 mm is carried on board, and

▼ B

(ii) no fish other than herring, mackerel, pilchard/sardines, sardinelles, horse mackerel, sprat, blue whiting and argentines are retained on board.

5. Closure of an area for sandeel fisheries

5.1. It shall be prohibited to land or retain on board sandeels caught within the geographical area bounded by the east coast of England and Scotland, and enclosed by sequentially joining with rhumb lines the following positions, which shall be measured according to the WGS84 coordinate system:

- the east coast of England at latitude 55°30'N,
- latitude 55°30'N, longitude 1°00'W,
- latitude 58°00'N, longitude 1°00'W,
- latitude 58°00'N, longitude 2°00'W,
- the east coast of Scotland at longitude 2°00'W.

5.2. Fisheries for scientific investigation shall be allowed in order to monitor the sandeel stock in the area and the effects of the closure.

6. Rockall Haddock box

All fishing, except with longlines, shall be prohibited in the areas enclosed by sequentially joining with rhumb lines the following positions, which shall be measured according to the WGS84 coordinate system:

Point No	Latitude	Longitude
1	57°00'N	15°00'W
2	57°00'N	14°00'W
3	56°30'N	14°00'W
4	56°30'N	15°00'W

7. Technical conservation measures in the Irish Sea

The technical conservation measures referred to in Articles 2, 3 and 4 of Council Regulation (EC) No 254/2002 of 12 February 2002 establishing measures to be applicable in 2002 for the recovery of the stock of cod in the Irish Sea (ICES division VIIa) ⁽¹⁾ shall temporarily apply in 2006.

8. Use of gillnets in ICES Divisions VIa, b and VIIb, c, j, k and Subarea XII

8.1. For the purposes of this Annex, 'Gillnet' and 'Entangling net' means a gear made up of a single piece of net and held vertically in the water by floats and weights. It catches living aquatic resources by entangling or enmeshing.

8.2. For the purposes of this Annex, 'Trammel net' means a gear made up of two or more pieces of net hung jointly in parallel on a single headline and held vertically in the water.

8.3. Community vessels shall not deploy gillnets, entangling nets and trammel nets at any position where the charted depth is greater than 200 metres in:

- (a) ICES Divisions VIa, b and VII b, c, j, k
- (b) ICES Subarea XII east of 27° W.

8.4. All nets referred to in points 8.1 and 8.2. shall be removed from the areas referred to in point 8.3. by 1 February 2006.

▼ M2

8.5. By way of derogation from points 8.3 and 8.4 vessels targeting hake may deploy gill-nets with a mesh size of 120 mm in the areas concerned at any position where the charted depth is less than 600 metres.

⁽¹⁾ OJ L 41, 13.2.2002, p. 1.

▼B**9. Condition for fisheries with certain towed gears authorized in the Bay of Biscay**

By way of derogation of the provisions laid down in Article 5(2) of Commission Regulation (EC) No 494/2002 of 19 March 2002 establishing additional technical measures for recovery of the stock of hake in ICES subareas III, IV, V, VI and VII and ICES Divisions VIII a, b, d, e ⁽¹⁾, it shall be permitted to conduct fishing activity using trawls, Danish seines and similar gears, except beam trawls, of mesh size range 70 to 99 mm in the area defined in Article 5(1)(b) of Regulation (EC) No 494/2002 if the gear is fitted with a square mesh window in accordance with Appendix 3 to this Annex.

10. Fishing effort for deep sea species

By way of derogation from Regulation (EC) No 2347/2002, the following shall apply in 2006:

10.1. Member States shall ensure that fishing activities which lead to catches and retention on board of more than 10 tonnes each calendar year of deep-sea species and of Greenland halibut by vessels flying their flag and registered in their territory shall be subject to a deep-sea fishing permit.

10.2. It shall however be prohibited to catch and retain on board, tranship or to land any aggregate quantity of the deep sea species and of Greenland halibut in excess of 100 kg in each sea trip, unless the vessel in question holds a deep-sea permit.

11. Interim measures for the protection of vulnerable deep-sea habitats

It shall be prohibited to conduct bottom trawling and fishing with static gear, including bottom set gill-nets and long-lines, within the areas enclosed by sequentially joining with rhumb lines the following positions, which shall be measured according to the WGS84 coordinate system:

The Hecate Seamounts:

- 52° 21.2866' N, 31° 09.2688' W
- 52° 20.8167' N, 30° 51.5258' W
- 52° 12.0777' N, 30° 54.3824' W
- 52° 12.4144' N, 31° 14.8168' W
- 52° 21.2866' N, 31° 09.2688' W

The Faraday Seamounts:

- 50° 01.7968' N, 29° 37.8077' W
- 49° 59.1490' N, 29° 29.4580' W
- 49° 52.6429' N, 29° 30.2820' W
- 49° 44.3831' N, 29° 02.8711' W
- 49° 44.4186' N, 28° 52.4340' W
- 49° 36.4557' N, 28° 39.4703' W
- 49° 29.9701' N, 28° 45.0183' W
- 49° 49.4197' N, 29° 42.0923' W
- 50° 01.7968' N, 29° 37.8077' W

Part of the Reykjanes Ridge:

- 55° 04.5327' N, 36° 49.0135' W
- 55° 05.4804' N, 35° 58.9784' W
- 54° 58.9914' N, 34° 41.3634' W
- 54° 41.1841' N, 34° 00.0514' W
- 54° 00.0' N, 34° 00.0' W
- 53° 54.6406' N, 34° 49.9842' W

⁽¹⁾ OJ L 77, 20.3.2002, p. 8.

▼B

— 53° 58.9668' N, 36° 39.1260' W

— 55° 04.5327' N, 36° 49.0135' W

The Altair Seamounts:

— 44° 50.4953' N, 34° 26.9128' W

— 44° 47.2611' N, 33° 48.5158' W

— 44° 31.2006' N, 33° 50.1636' W

— 44° 38.0481' N, 34° 11.9715' W

— 44° 38.9470' N, 34° 27.6819' W

— 44° 50.4953' N, 34° 26.9128' W

The Antialtair Seamounts:

— 43° 43.1307' N, 22° 44.1174' W

— 43° 39.5557' N, 22° 19.2335' W

— 43° 31.2802' N, 22° 08.7964' W

— 43° 27.7335' N, 22° 14.6192' W

— 43° 30.9616' N, 22° 32.0325' W

— 43° 40.6286' N, 22° 47.0288' W

— 43° 43.1307' N, 22° 44.1174' W

12. **CECAF**

The minimum size for octopus (*Octopus vulgaris*) in the maritime waters under the sovereignty or jurisdiction of third countries and situated in the CECAF region shall be 450 g (gutted). Octopus under the minimum size of 450 g (gutted) shall not be retained on board or be transhipped, landed, transported, stored, sold, displayed or offered for sale, but shall be returned immediately to the sea.

▼M613. **Vessels engaged in illegal, unreported and unregulated fisheries in the North-East Atlantic**

13.1. The Commission shall without delay inform Member States of vessels flying flags of non-contracting Parties to the Convention on Future Multilateral Cooperation in North-East Atlantic Fisheries (the Convention) that have been sighted engaging in fishing activities in the Regulatory Area of the Convention and placed by the North-East Atlantic Fisheries Commission (NEAFC) on a provisional list of vessels that are being presumed to be undermining the Recommendations established under the Convention. The following measures shall apply to these vessels:

(a) vessels that enter ports are not authorised to land or tranship therein and shall be inspected by the competent authorities. Such inspections shall include the vessel's documents, log books, fishing gear, catch onboard and any other matter relating to the vessel's activities in the Regulatory Area of the Convention. Information on the result of the inspections shall immediately be transmitted to the Commission;

(b) fishing vessels, support vessels, refuel vessels, mother-ships and cargo vessels flying the flag of a Member State shall not in any way assist the vessels or participate in any transhipment or joint fishing operations with the vessels;

(c) the vessels shall not be supplied in ports with provisions, fuel or other services.

13.2. Vessels that have been placed by the North-East Atlantic Fisheries Commission NEAFC on the list of vessels that have been confirmed as having engaged in illegal, unreported and unregulated fisheries (IUU vessels) are listed in Appendix 4. In addition to the measures referred to in point 13.1 the following measures shall apply to these vessels:

(a) IUU vessels shall be prohibited to enter a Community port;

(b) IUU vessels shall not be authorised to fish in Community waters and be prohibited to be chartered;

▼M6

- (c) imports of fish coming from IUU vessels shall be prohibited;
 - (d) Member States shall refuse the granting of their flag to IUU vessels and encourage importers, transporters and other sectors concerned to refrain from negotiating and from transshipping of fish caught by such vessels.
- 13.3. The Commission shall amend the list of IUU vessels to be in accordance with the NEAFC IUU list as soon as NEAFC adopts a new IUU list.

▼B**14. Electric Fishing**

By way of derogation from Article 31(1) of Regulation (EC) No 850/98 fishing with beam trawl using electrical current shall be allowed under conditions to be established by the Commission in accordance with the procedure referred to in Article 30(2) of Regulation (EC) No 2371/2002 in the light of advice from STECF.

Part B

Mediterranean

15. Temporary measure for mesh size and fishery activities

The fisheries currently operating under the derogations, provided for in Article 3(1) and (1a) and Article 6(1) and (1a) of Regulation (EC) No 1626/94, may temporarily continue their activity in 2006.

16. Dredges and trawl nets in deep-sea fisheries

The use of towed dredges and trawl nets fisheries at depths beyond 1 000 m shall be prohibited.

17. Establishment of GFCM record of vessels over 15 m

- 17.1. Before 1 June 2006 each Member State shall send the Commission, through the accustomed data-processing support, a list of the vessels of more than 15 metres overall length flying its flag and registered in its territory that it authorises to fish in the GFCM area by issue of a fishing permit.
- 17.2. The list indicated in paragraph 17.1. shall include the following information:
- (a) vessel's Community fleet register number, and external marking as defined in Annex I to Regulation (EC) No 26/2004;
 - (b) period authorised for fishing and/or transshipment;
 - (c) fishing gears used.
- 17.3. The Commission shall send the list to the GFCM Executive Secretariat before 1 July 2006 so that these vessels can be entered on the GFCM register of vessels more than 15 metres in overall length authorised to fish in the GFCM Agreement area (hereinafter referred to as the 'GFCM register').
- 17.4. Any change to be made to the list indicated in paragraph 17.1. shall be notified to the Commission for transmission to the GFCM Executive Secretariat, the same procedure applying, at least 10 working days before the vessel begins fishing activity in the GFCM area.
- 17.5. Community fishing vessels more than 15 metres in overall length that are not entered on the list indicated in paragraph 17.1. shall not fish, retain on board, tranship or land any type of fish and shellfish within the GFCM area.
- 17.6. Member States shall take the necessary measures to ensure that:
- (a) only vessels flying their flag that are included in the list indicated in paragraph 17.1. and hold on board a fishing permit issued by them are authorised, on the terms of the permit, to carry out fishing activities in the GFCM area;
 - (b) no fishing permit is issued to vessels that have carried out illegal, unregulated and unreported fishing (IUU fishing) in the GFCM area or elsewhere, unless the new owners provide adequate documentary evidence that the previous owners and operators have no longer any

▼B

- legal, beneficial or financial interest in, or exercise any control over, their vessels, or that their vessels neither take part in nor are associated with IUU fishing;
- (c) to the extent possible, their national legislation prohibits owners and operators of vessels flying their flag that are included in the list indicated in paragraph 17.1. from taking part in or being associated with fishing activities in the GFCM Agreement area by vessels not on the GFCM register;
- (d) to the extent possible, their national legislation requires owners of vessels flying their flag that are included in the list indicated in paragraph 17.1. to be nationals or legal entities within the flag Member State;
- (e) their vessels comply with all the relevant GFCM conservation and management measures.
- 17.7. Member States shall take the necessary measures to prohibit fishing, retention on board, transshipment and landing of fish and shellfish caught in the GFCM area by vessels more than 15 metres in overall length that are not on the GFCM register.
- 17.8. Member States shall without delay pass on to the Commission any information showing that there are strong reasons for suspecting that vessels more than 15 metres in overall length that are not on the GFCM register are fishing for or transshipping fish and shellfish in the GFCM Agreement area.

Part C

Eastern Pacific Ocean

18. **Purse seines in the Regulatory Area of the Inter-American Tropical Tuna Commission (IATTC)**
- 18.1. The fishing by purse-seine vessels for Yellowfin Tuna (*Thunnus albacares*), Bigeye Tuna (*Thunnus obesus*) and Skipjack Tunas (*Katsuwonus pelamis*) shall be prohibited from either, 1 August to 11 September 2006, or, 20 November to 31 December 2006 in the area defined by the following limits:
- the Pacific coastlines of the Americas,
 - longitude 150° W,
 - latitude 40° N,
 - latitude 40° S.
- 18.2. The Member States concerned shall notify the Commission of the selected period of closure before 1 July 2006. All the purse seine vessels of the Member States concerned must stop purse-seine fishing in the defined area during the period selected.
- 18.3. As of the date of entry into force of this Regulation purse seiners fishing for tuna in the Regulatory Area of the IATTC shall retain on board and then land all bigeye, skipjack and yellowfin tuna caught, except fish considered unfit for human consumption for reasons other than size. A single exception shall be the final set of a trip, when there may be insufficient well space remaining to accommodate all the tuna caught in that set.
- 18.4. Purse seine vessels shall promptly release unharmed, to the extent practicable, all sea turtles, sharks, billfishes, rays, dorado, and other non-target species. Fishermen shall be encouraged to develop and use techniques and equipment to facilitate the rapid and safe release of any such animals.
19. **The following specific measures to encircled or entangled sea turtles shall apply:**
- (a) whenever a sea turtle is sighted in the net, all reasonable efforts shall be made to rescue the turtle before it becomes entangled in the net, including, if necessary, the deployment of a speedboat;

▼B

- (b) if a turtle is entangled in the net, net roll should stop as soon as the turtle comes out of the water and should not start again until the turtle has been disentangled and released;
- (c) if a turtle is brought on board a vessel, all appropriate methods to assist in the recovery of the turtle should be made before returning it to the water;
- (d) tuna-fishing vessels shall be prohibited from disposing of salt bags or any other type of plastic rubbish at sea;
- (e) the release, when practicable, of sea turtles entangled in Fish Aggregating Devices (FADs) and other fishing gear is encouraged;
- (f) the recovery of FADs which are not being used in the fishery is also encouraged.

Part D

Highly migratory fish in Eastern Atlantic and the Mediterranean

- 20. **Minimum size for bluefin tuna in the East Atlantic and Mediterranean Sea**
 - 20.1. By way of derogation from the provisions laid down in Article 6 and Annex IV of Regulation (EC) N° 973/2001, the minimum size for bluefin tuna in the Mediterranean Sea shall be 10 kg or 80 cm.
 - 20.2. By way of derogation from the provisions laid down in Article 7(1) of Regulation (EC) No 973/2001, no tolerance limit shall be granted for bluefin tuna fished in the East Atlantic and in the Mediterranean Sea.
- 21. **Minimum size for bigeye tuna**

By way of derogation from the provisions of Article 6 and Annex IV of Regulation (EC) No 973/2001, the minimum size of bigeye tuna is abolished.
- 22. **Restrictions on the use of certain types of vessels and gears**
 - 22.1. In order to protect the bigeye stock, in particular juvenile fish, fishing by purse seiners and baitboats shall be prohibited during the period and in the area specified in points (a) and (b) below;
 - (a) the area is the following:
 - Southern limit: parallel 0° South latitude
 - Northern limit: parallel 5° North latitude
 - Western limit: meridian 20° West longitude
 - Eastern limit: meridian 10° West longitude;
 - (b) the period covered by the prohibition shall be from 1 November to 30 November of each year.
 - 22.2. By way of derogation from the provisions of Article 3 of Regulation (EC) No 973/2001, Community vessels shall be authorised to fish without restriction on the use of certain types of vessels and gears in the area referred to in Article 3(2) and during the period specified in Article 3(1) of that Regulation.
- 23. **Measures concerning sport and recreational fishing activities in the Mediterranean Sea**
 - 23.1. Each Member State shall take the necessary measures to forbid the use, within the framework of sport and recreational fishing of towed nets, encircling nets, seine sliding, dredger, gillnets, trammel nets and longline to fish for tuna and tuna-like species, notably bluefin tuna, in the Mediterranean Sea.
 - 23.2. Each Member State shall ensure that catches of tuna and tuna-like species carried out in the Mediterranean Sea as a result from sport and recreational fishing are not marketed.
- 24. **Sampling plan for bluefin Tuna**

By way of derogation from the provisions laid down in Article 5a of Regulation (EC) No 973/2001, each Member State shall establish a

▼B

sampling programme for the estimation of the numbers-at-size of the bluefin tuna caught; this requires notably that size sampling at cages must be done on one sample (= 100 specimen) for every 100 tonnes of live fish. Size sample will be collected during harvesting⁽¹⁾ at the farm, in accordance with the ICCAT methodology for reporting Task II. The sampling should be conducted during any harvesting, covering all cages. Data must be transmitted to ICCAT by 1 May 2006 for the sampling conducted the previous year.

Part E

South-east Atlantic

25. SEAFO

- 25.1. All Community vessels operating in the South East Atlantic Fisheries Organisation (SEAFO) Convention Area, and targeting species not subject to the conservation and management regimes of other competent regional fisheries organisations, shall carry qualified scientific observers from 1 January 2006.
- 25.2. Member States shall take the necessary steps to appoint scientific observers and ensure that they are placed on board all vessels flying their flag or registered in their territory which are about to undertake fishing activities in the SEAFO Convention Area. Member States shall take the necessary steps to ensure that properly appointed scientific observers remain on board the fishing vessels to which they have been assigned until they are replaced by other scientific observers.
- 25.3. The master of a Community vessels operating in the SEAFO Convention Area from 1 January 2006 shall receive the scientific observer and cooperate with him in the performance of his duties during his stay on board.
- 25.4. Member States shall send to the SEAFO Secretariat by 1 May each year at the latest a comprehensive report in a format to be defined by the Scientific Committee of SEAFO, assessing the content of the reports of the scientific observers assigned to fishing vessels flying their flag. This report shall be forwarded to the Commission at the same time.

⁽¹⁾ For fish farmed more than 1 year, other additional sampling methods should be established.



Appendix 1 to Annex III

TOWED GEARS: Skagerrak and Kattegat

Mesh size ranges, target species and required catch percentages applicable to the use of a single mesh size range

Species	Mesh size range (mm)						Minimum percentage of target species	
	< 16	16-31	32-69	35-69	70-89 (⁵)	≥ 90		
	50 % (⁶)	50 % (⁶)	20 % (⁶)	50 % (⁶)	20 % (⁶)	20 % (⁷)	30 % (⁸)	none
Sandeel (<i>Ammodytidae</i>) (³)	x	x	x	x	X	x	x	x
Sandeel (<i>Ammodytidae</i>) (⁴)		x		x	x	x	x	x
Norway pout (<i>Trisopterus esmarkii</i>)		x		x	x	x	x	x
Blue whiting (<i>Micromesistius poutassou</i>)		x		x	x	x	x	x
Greater weever (<i>Trachinus draco</i>) (¹)		x		x	x	x	x	x
Molluscs (except <i>Sepia</i>) (¹)		x		x	x	x	x	x
Garfish (<i>Belone belone</i>) (¹)		x		x	x	x	x	x
Gray gurnard (<i>Eutrigla gurnardus</i>) (¹)		x		x	x	x	x	x
Argentine (<i>Argentina spp.</i>)				x	x	x	x	x
Sprat (<i>Sprattus sprattus</i>)		x		x	x	x	x	x
Eel (<i>Anguilla, anguilla</i>)			x	x	x	x	x	x
Common shrimp/Baltic shrimp (<i>Crangon spp., Palaemon adspersus</i>) (²)			x	x	x	x	x	x
Mackerel (<i>Scomber spp.</i>)				x			x	x
Horse mackerel (<i>Trachurus spp.</i>)				x			x	x
Herring (<i>Clupea harengus</i>)				x			x	x
Northern shrimp (<i>Pandalus borealis</i>)						x	x	x
Common shrimp/Baltic shrimp (<i>Crangon spp., Palaemon adspersus</i>) (¹)					X		x	x
Whiting (<i>Merlangius merlangus</i>)							x	x
Norway lobster (<i>Nephrops norvegicus</i>)							x	x
All other marine organisms								x

(¹) Only within four miles from the baselines.

(²) Outside four miles from the baselines.

(³) From 1 March to 31 October in Skagerrak and from 1 March to 31 July in Kattegat.

(⁴) From 1 November to the last day of February in Skagerrak and from 1 August to the last day of February in Kattegat.

(⁵) When applying this mesh size range the codend shall be constructed of square meshed netting with a sorting grid in accordance with Appendix 2 to this Annex.

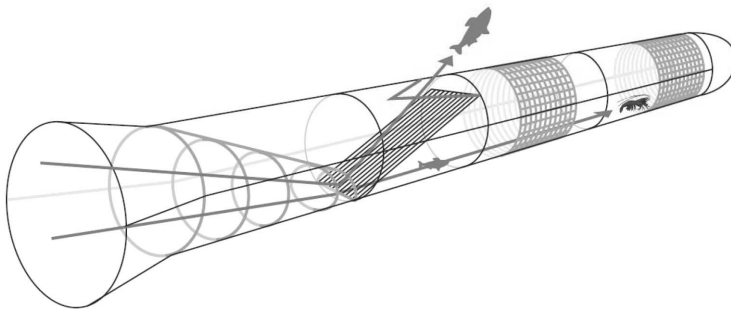
(⁶) The catch retained on board shall consist of no more than 10 % of any mixture of cod, haddock, hake, plaice, witch, lemon sole, sole, turbot, brill, flounder, mackerel, megrim, whiting, dab, saithe, Norway lobster and lobster.

(⁷) The catch retained on board shall consist of no more than 50 % of any mixture of cod, haddock, hake, plaice, witch, lemon sole, sole, turbot, brill, flounder, herring, mackerel, megrim, whiting, dab, saithe, Norway lobster and lobster.

(⁸) The catch retained on board shall consist of no more than 60 % of any mixture of cod, haddock, hake, plaice, witch, lemon sole, sole, turbot, brill, flounder, megrim, whiting, dab, saithe and lobster.

▼B*Appendix 2 to Annex III***Specifications of the Sorting grid for 70 mm trawl fishery in Skagerrak and Kattegat**

- a) The species selective grid shall be attached in trawls with full square mesh codend with a mesh size equal to or larger than 70 mm and smaller than 90 mm. The minimum length of the codend shall be 8 m. It shall be prohibited to use any trawl having more than 100 square meshes in any circumference of the codend, excluding the joining or the selvages.
- b) The grid shall be rectangular. The bars of the grid shall be parallel to the longitudinal axis of the grid. The bar spacing of the grid shall not exceed 35 mm. It shall be permitted to use one or more hinges in order to facilitate its storage on the net drum.
- c) The grid shall be mounted diagonally in the trawl, upwards backwards, anywhere from just in front of the codend to 10 meters up in the extension piece. All sides of the grid shall be attached to the trawl.
- d) In the upper panel of the trawl there shall be an unblocked fish outlet in immediate connection to the upper side of the grid. The opening of the fish outlet shall have the same width in the posterior side as the width of the grid and shall be cut out to a tip in the anterior direction along mesh bars from both sides of the grid.
- e) It shall be permitted to attach in front of the grid a funnel to lead the fish towards the trawl floor and grid. The minimum mesh size of the funnel shall be 70 mm. The minimum vertical opening of the guiding funnel towards the grid shall be 30 cm. The width of the guiding funnel towards the grid shall be the grid width.



Schematic illustration of a size and species selective trawl. Entering fish is led towards the trawl floor and grid via a leading funnel. Larger fish is then led out of the trawl by the grid while smaller fish and Norway lobster pass through the grid and enter the codend. The full square mesh codend enhance escapement of small fish and undersized Norway lobster.

▼B*Appendix 3 to Annex III*

Condition for fisheries with certain towed gears authorized in ICES Subareas III, IV, V, VI and VII ►C1 and ICES divisions VIII a, b, d, e ◄

Specifications of the top square mesh window

Specifications of 100 mm, measured as inner opening, square mesh window in the rear tapered section of the trawl, Danish seine or similar gear with a mesh size equal to or larger than 70 mm and smaller than 100 mm.

The window shall be a rectangular section of netting. There shall be only one window. The window shall not be obstructed in any way by either internal or external attachments.

Location of the window

The window shall be inserted into the middle of the top panel of the rear tapered section of the trawl just in front of the untapered section constituted by the extension piece and the codend.

The window shall terminate not more than 12 meshes from the hand braided row of meshes between the extension piece and the rear tapered section of the trawl.

Size of the window

The length and the width of the window shall be at least 2 m and at least 1 m respectively.

Netting of the window

The meshes shall have a minimum mesh opening of 100 mm. The meshes will be square meshes, i.e. all four sides of the window netting shall be cut all bars.

The netting shall be mounted such that the bars run parallel and perpendicular to the longitudinal axis of the codend.

The netting shall be single twine. The twine thickness shall be not more than 4 mm.

Insertion of the window into the diamond meshes netting

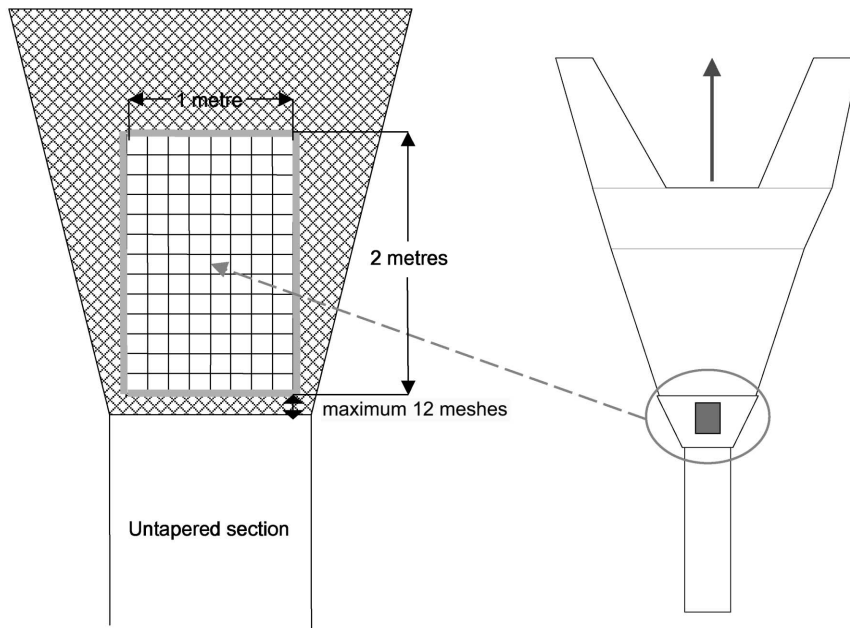
It shall be permitted to attach a selvedge on the four sides of the window. The diameter of this selvedge shall be no more than 12 mm.

The stretched length of the window shall be equal to the strength length of the diamond meshes attached to the longitudinal side of the window.

The number of diamond meshes of the top panel attached to the smallest side of the window (i.e. one metre long side which is perpendicular to the longitudinal axis of the codend) shall be at least the number of full diamond meshes attached to the longitudinal side of the window divided by 0,7.

▼ B**Other**

The insertion of the window into the trawl is illustrated below.



▼ **M5***Appendix 4 to Annex III***List of vessels with the following IMO numbers that have been confirmed by NEAFC as having engaged in illegal, unreported and unregulated fisheries**

IMO ⁽¹⁾ ship identification number	Vessel's name ⁽²⁾	Vessel's name ⁽²⁾
6719419	GRAN SOL	Panama
7321374	FONTE NOVA	Panama
7332218	IANNIS I	Panama
7347407	SUNNY JANE	Belize
7385174	MURTOSA	Togo
7700104	BRIZ	Panama
7803255	KERGUELEN	Guinea Conakry
8028424	ICE BAY	Cambodia
8326319	PAVLOVSK	Georgia
8422838	ISABELLA	Georgia
8422852	DOLPHIN	Georgia
8522030	CARMEN	Georgia
8522042	JUANITA	Georgia
8522119	EVA	Georgia
8522169	ROSITA	Georgia
8606836	ULLA	Georgia

⁽¹⁾ International Maritime Organisation.

⁽²⁾ Any changes of names and flags and additional information on the vessels are available on the NEAFC website: www.neafc.org

▼B

ANNEX IV

▼M8

PART I

Quantitative limitations of licences and fishing permits for Community vessels fishing in third country waters

Area of fishing	Fishery	Number of licences	Allocation of licences amongst Member States	Maximum number of vessels present at any time
Norwegian waters and fishery zone around Jan Mayen	Herring, North of 62° 00' N	77	DK: 26, DE: 5, FR: 1, IRL: 7, NL: 9, SW: 10, UK: 17, PL: 1	55
	Demersal species, North of 62° 00' N	80	FR: 18, PT: 9, DE: 16, ES: 20, UK: 14, IRL: 1	50
	Mackerel, South of 62° 00' N, purse seine fishery	11	DE: 1 ⁽¹⁾ , DK: 26 ⁽¹⁾ , FR: 2 ⁽¹⁾ , NL: 1 ⁽¹⁾	not relevant
	Mackerel, South of 62° 00' N, trawl fishery	19		not relevant
	Mackerel, North of 62° 00' N, purse seine fishery	11 ⁽²⁾	DK: 11	not relevant
Industrial species, South of 62° 00' N	480	DK: 450, UK: 30	150	
Waters of the Faroe Islands	All trawl fisheries with vessels of not more than 180 feet in the zone between 12 and 21 miles from the Faroese baselines	26	BE: 0, DE: 4, FR: 4, UK: 18	13
	Directed fishing for cod and haddock with a minimum mesh of 135 mm, restricted to the area south of 62° 28' N and east of 6° 30' W	8 ⁽³⁾		4
	Trawling outside 21 miles from the Faroese baseline. In the periods 1 March to 31 May and 1 October to 31 December, these vessels may operate in the area between 61° 20' N and 62° 00' N and between 12 and 21 miles from the baselines.	70	BE: 0, DE: 10, FR: 40, UK: 20	26
	Trawl fisheries for blue ling with a minimum mesh of 100 mm in the area south of 61° 30' N and west of 9° 00' W and in the area between 7° 00' W and 9° 00' W south of 60° 30' N and in the area south-west of a line between 60° 30' N, 7° 00' W and 60° 00' N, 6° 00' W.	70	DE: 8 ⁽⁴⁾ , FR: 12 ⁽⁴⁾ , UK: 0 ⁽⁴⁾	20 ⁽⁵⁾
	Directed trawl fishery for saithe with a minimum mesh size of 120 mm and with the possibility to use round-straps around the codend.	70		22 ⁽⁵⁾
	Fisheries for blue whiting. The total number of licences may be increased by four vessels to form pairs, should the Faroese authorities introduce special rules of	34	DE: 3, DK: 19, FR: 2, UK: 5, NL: 5	20

▼M8

Area of fishing	Fishery	Number of licences	Allocation of licences amongst Member States	Maximum number of vessels present at any time
	access to an area called 'main fishing area of blue whiting'			
	Line fishing	10	UK: 10	6
	Fishing for mackerel	12	DK: 12	12
	Herring fisheries north of 62° N	21	DE: 1, DK: 7, FR: 0, UK: 5, IRL: 2, NL: 3, SW: 3	21
Waters of the Russian Federation	All fisheries	pm		pm
	Fisheries for cod	7 ⁽⁶⁾		pm
	Fisheries for sprat	pm		pm

⁽¹⁾ This allocation is valid for purse and trawl fisheries.

⁽²⁾ To be selected from the 11 licences for purse seine fishery for mackerel South of 62° 00' N.

⁽³⁾ Following the Agreed Record of 1999, the figures for the Directed fishing for cod and haddock are included in the figures for all trawl fisheries with vessels of not more than 180 feet in the zone between 12 and 21 miles from the Faroese baselines.

⁽⁴⁾ These figures refer to the maximum number of vessels present at any time.

⁽⁵⁾ These figures are included in the figures for 'Trawling outside 21 miles from the Faroese baselines'.

⁽⁶⁾ Applies only to vessels flying the flag of Latvia.

▼M2

PART II

Quantitative limitations of licences and fishing permits for third country fishing vessels in Community waters

Flag State	Fishery	Number of licences	Maximum number of vessels present at any time
Norway	Herring, north of 62° 00' N	18	18
Faeroe Islands	Mackerel, VIa (north of 56° 30' N), VIIe,f,h, horse mackerel, IV, VIa (north of 56° 30' N), VIIe,f,h; herring, VIa (north of 56° 30' N)	14	14
	Herring north of 62° 00' N	21	21
	Herring, IIIa	4	4
	Industrial fishing for Norway pout and sprat, IV, VIa (north of 56° 30' N): sandeel, IV (including unavoidable by-catches of blue whiting)	15	15
	Ling and tusk	20	10
	Blue whiting, II, IVa, VIa (north of 56° 30' N), VIb, VII (west of 12° 00' W)	20	20
	Blue ling	16	16
Russian Federation	Herring, IIIId (Swedish waters)	pm	pm
	Herring, IIIId (Swedish waters, non-fishing mother ships)	pm	pm
	Sprat	4 ⁽¹⁾	pm
Barbados	<i>Penaeus</i> shrimps ⁽²⁾ (French Guyana waters)	5	pm ⁽³⁾
	Snappers ⁽⁴⁾ (French Guyana waters)	5	pm
Guyana	<i>Penaeus</i> shrimps ►C1 ⁽⁵⁾ ◀ (French Guyana waters)	pm	pm ►C1 ⁽⁶⁾ ◀
Surinam	<i>Penaeus</i> shrimps ►C1 ⁽⁵⁾ ◀ (French Guyana waters)	5	pm ⁽⁷⁾
Trinidad and Tobago	<i>Penaeus</i> shrimps ►C1 ⁽⁵⁾ ◀ (French Guyana waters)	8	pm ►C1 ⁽⁸⁾ ◀
Japan	Tuna ⁽⁹⁾ (French Guyana waters)	pm	
Korea	Tuna ►C1 ⁽¹⁰⁾ ◀ (French Guyana waters)	pm	pm ►C1 ⁽⁵⁾ ◀
Venezuela	Snappers ►C1 ⁽⁵⁾ ◀ (French Guyana waters)	41	pm
	Sharks ►C1 ⁽⁵⁾ ◀ (French Guyana waters)	4	pm

⁽¹⁾ Applies only to the Latvian zone of EC waters.

⁽²⁾ The licences concerning fishing for shrimp in the waters of the French Department of Guyana shall be issued on the basis of a fishing plan submitted by the authorities of the third country concerned, approved by the Commission. The period of validity of each of these licences shall be limited to the fishing period provided for in the fishing plan on the basis of which the licence was issued.

⁽³⁾ The annual number of days at sea is limited to 200.

⁽⁴⁾ To be fished exclusively with long lines or traps (snappers) or long lines or mesh nets having a minimum mesh of 100 mm, at depths greater than 30 m (sharks). To issue these licences, proof must be produced that a valid contract exists between the ship owner applying for the licence and a processing undertaking situated in the French Department of Guyana, and that it includes an obligation to land at least 75 % of all snapper catches, or 50 % of all shark catches from the vessel concerned in that department so that they may be processed in that undertaking's plant.

The contract referred to above must be endorsed by the French authorities, which shall ensure that it is consistent both with the actual capacity of the contracting processing undertaking and with the objectives for the development of the Guyanese economy. A copy of the duly endorsed contract shall be appended to the licence application.

Where the endorsement referred to above is refused, the French authorities shall give notification of this refusal and state their reasons for it to the party concerned and to the Commission.

⁽⁵⁾ Applicable from 1 January to 30 April 2006.

⁽⁶⁾ Pending the conclusion of fisheries consultations with Norway for 2006.

⁽⁷⁾ The annual number of days at sea is limited to pm.

⁽⁸⁾ The annual number of days at sea is limited to 350.

⁽⁹⁾ To be fished exclusively with longlines.

⁽¹⁰⁾ Of which at any given time a maximum of 10 for vessels fishing cod with gill-nets.

▼B**PART III**

Declaration pursuant to Article 25(2)

LANDING DECLARATION ⁽¹⁾

Name of vessel:	<input type="text"/>	Registration No:	<input type="text"/>
Name of master:	<input type="text"/>	Name of agent:	<input type="text"/>
Master's signature:	<input type="text"/>		
Voyage made from the	<input type="text"/>	to the	<input type="text"/>
Port of landing:	<input type="text"/>		

Quantity of shrimps landed (in live-weight)	
"Head-off" shrimps:	kg
or (x 1,6) =	kg (head-on shrimps)
"Head-on" shrimps:	kg
<i>Thunnidae</i> : kg	Snapper (<i>Lutjanidae</i>): kg
Shark: kg	Other: kg

⁽¹⁾ One copy is kept by the master, one copy is kept by the control officer, and one copy is to be sent to the Commission of the European Communities.

*ANNEX V***PART I****Information to be recorded in the logbook**

When fishing is carried out within the 200-nautical-mile zone off the coasts of the Member States of the Community which is covered by Community rules on fisheries, the following details are to be entered in the log-book immediately after the following events:

After each haul:

- 1.1. the quantity (in kilograms live-weight) of each species caught;
- 1.2. the date and the time of the haul;
- 1.3. the geographical position in which the catches were made;
- 1.4. the fishing method used.

After each trans-shipment to or from another vessel:

- 2.1. the indication 'received from' or 'transferred to';
- 2.2. the quantity (in kilograms live-weight) of each species trans-shipped;
- 2.3. the name, external identifications letters and numbers of the vessel to or from which the trans-shipment occurred;
- 2.4. trans-shipment of cod is not allowed.

After each landing in a port of the Community:

- 3.1. name of the port;
- 3.2. the quantity (in kilograms live-weight) of each species landed.

After each transmission of information to the Commission of the European Communities:

- 4.1. date and time of the transmission;
- 4.2. type of message: 'catch on entry', 'catch on exit', 'catch', 'transshipment';
- 4.3. in the case of radio transmission: name of the radio station.



ANNEX VI

**CONTENT AND MODALITIES OF THE TRANSMISSION OF
INFORMATION TO THE COMMISSION**

1. The information to be transmitted to the Commission of the European Communities and the timetable for its transmission is as follows:

- 1.1. On each occasion a vessel commences a fishing trip⁽¹⁾ in Community waters it shall send a 'catch on entry' message specifying the following

SR	m ⁽¹⁾	(= start of record)
AD	m	XEU (= to Commission of the European Communities)
SQ	m	(serial number of message in current year)
TM	m	COE (= 'catch on entry')
RC	m	(international radio call sign)
TN	o ⁽²⁾	(fishing trip serial number in the year)
NA	o	(name of the vessel)
IR	m	(Flag state as ISO-3 country code, where applicable followed by a unique reference number, if any, as applied in the flag state)
XR	m	(external identification letters; side number of the vessel)
LT ⁽³⁾	o ⁽⁴⁾	(latitude position of the vessel at time of transmission)
LG ⁽³⁾	o ⁽⁴⁾	(longitude position of the vessel at time of transmission)
LI	o	(estimated latitude position where the master intends to commence fishing, degrees or decimal presentation)
LN	o	(estimated longitude position where the master intends to commence fishing, degrees or decimal presentation)
RA	m	(relevant ICES area)
OB	m	(quantity by species on board, in the hold, in pairs as needed: FAO code + live weight in kilograms, rounded to the nearest 100 kilograms)
DA	m	(date of transmission in yyymmdd format)
TI	m	(time of transmission in hhmm format)
MA	m	(name of the master of the vessel)
ER	m	(= end of record)

⁽¹⁾ m = mandatory

⁽²⁾ o = optional

⁽³⁾ LT, LG: must be specified as decimal figure, 3 figures after the decimal point; until 31/12/2006 the use of LA and LO, with data in degrees and minutes continues to be supported.

⁽⁴⁾ Optional if a vessel is subject to satellite tracking.

- 1.2. On each occasion a vessel terminates a fishing trip⁽¹⁾ in Community waters it shall send a 'catch on exit' message specifying the following:

SR	m	(= start of record)
AD	m	XEU (= to Commission of the European Communities)
SQ	m	(serial number of message for that vessel in current year)
TM	m	COX (= 'catch on exit')
RC	m	(international radio call sign)

⁽¹⁾ A fishing trip means a voyage commencing when a vessel intending to fish enters the 200-nautical-mile zone off the coasts of the Member States of the Community which is covered by the Community rules on fisheries and terminating when a vessel leaves that zone.

▼B

TN	o	(fishing trip serial number in the year)
NA	o	(name of the vessel)
IR	m	(Flag state as ISO-3 country code, where applicable followed by a unique reference number, if any, as applied in the flag state)
XR	m	(external identification letters; side number of the vessel)
LT ⁽¹⁾	o ⁽²⁾	(latitude position of the vessel at time of transmission)
LG ⁽¹⁾	o ⁽²⁾	(longitude position of the vessel at time of transmission)
RA	m	(relevant ICES area where catches were taken)
CA	m	(catch quantity by species since last report in pairs as needed, : FAO code + live weight in kilograms, rounded to the nearest 100 kilograms)
OB	o	(quantity by species on board, in the hold, in pairs as needed: FAO code + live weight in kilograms, rounded to the nearest 100 kilograms)
DF	o	(days fished since last report)
DA	m	(date of transmission in yyymmdd format)
TI	m	(time of transmission in hhmm format)
MA	m	(name of the master of the vessel)
ER	m	(= end of record)

⁽¹⁾ LT, LG: must be specified as decimal figure, 3 figures after the decimal point; until 31/12/2006 the use of LA and LO, with data in degrees and minutes, continues to be supported

⁽²⁾ Optional if a vessel is subject to satellite tracking.

- 1.3. At three-day intervals, commencing on the third day after the vessel first enters the zones referred to under 1.1 when fishing for herring and mackerel, and in weekly intervals, commencing the seventh day after the vessel first enters the zones referred to under 1.1 when fishing for all species other than herring and mackerel, a 'catch report' message has to be sent, specifying:

SR	m	(= start of record)
AD	m	XEU (= to Commission of the European Communities)
SQ	m	(serial number of message for that vessel in current year)
TM	m	CAT (= 'catch report')
RC	m	(international radio call sign)
TN	o	(fishing trip serial number in the year)
NA	o	(name of the vessel)
IR	m	(Flag state as ISO-3 country code, where applicable followed by a unique reference number, if any, as applied in the flag state)
XR	m	(external identification letters; side number of the vessel)
LT ⁽¹⁾	o ⁽²⁾	(latitude position of the vessel at time of transmission)
LG ⁽¹⁾	o ⁽²⁾	(longitude position of the vessel at time of transmission)
RA	m	(relevant ICES area where catches were taken)
CA	m	(catch quantity by species since last report in pairs as needed, : FAO code + live weight in kilograms, rounded to the nearest 100 kilograms)
OB	o	(quantity by species on board, in the hold, in pairs as needed,: FAO code + live weight in kilograms, rounded to the nearest 100 kilograms)
DF	o	(days fished since last report)
DA	m	(date of transmission in yyymmdd format)
TI	m	(time of transmission in hhmm format)
MA	m	(name of the master of the vessel)

▼B

ER m (= end of record)

1.4. Whenever a trans-shipment is planned between the 'catch on entry' and 'catch on exit' message and apart from the 'catch report' messages, an additional 'trans-shipment' message has to be sent minimum 24 hours in advance, specifying:

SR	m	(= start of record)
AD	m	XEU (= to Commission of the European Communities)
SQ	m	(serial number of message for that vessel in current year)
TM	m	TRA (= 'trans-shipment')
RC	m	(international radio call sign)
TN	o	(fishing trip serial number in the year)
NA	o	(name of the vessel)
IR	m	(Flag state as ISO-3 country code, where applicable followed by a unique reference number, if any, as applied in the flag state)
XR	m	(external identification letters; side number of the vessel)
KG	m	(quantity by species on- or off-loaded in pairs as needed, : FAO code + live weight in kilograms, rounded to the nearest 100 kilograms)
TT	m	(international radio call sign of the receiving vessel)
TF	m	(international radio call sign of the donor vessel)
LT ⁽¹⁾	m/o ⁽²⁾ , ⁽³⁾	(predicted latitude position of the vessel where the trans-shipment is planned)
LG ⁽¹⁾	m/o ⁽²⁾ , ⁽³⁾	(predicted longitude position of the vessel where the trans-shipment is planned)
PD	m	(predicted date when the trans-shipment is planned)
PT	m	(predicted time when the trans-shipment is planned)
DA	m	(date of transmission in yyymmdd format)
TI	m	(time of transmission in hhmm format)
MA	m	(name of the master of the vessel)
ER	m	(= end of record)

⁽¹⁾ LT, LG: must be specified as decimal figure, 3 figures after the decimal point; until 31/12/2006 the use of LA and LO, with data in degrees and minutes, continues to be supported

⁽²⁾ Optional if a vessel is subject to satellite tracking.

⁽³⁾ Optional for the receiving vessel.

2. Form of the communication

Unless point 3.3 is applied (see below), the information specified above under point 1 shall be transmitted respecting the codes and ordering of data as specified above; in particular,

- the text 'VRONT' must be placed in the subject line of the message;
- each data item will be placed on a new line;
- the data itself will be preceded by the indicated code, separated from each-other by a space.

Example (with fictitious data):

SR	
AD	XEU
SQ	1
TM	COE

▼B

RC	IRCS
TN	1
NA	VESSEL NAME EXAMPLE
IR	NOR
XR	PO 12345
LT	+65.321
LO	-21.123
RA	04A.
OB	COD 100 HAD 300
DA	20051004
MA	CAPTAIN NAME EXAMPLE
TI	1315
ER	

3. Communication scheme

- 3.1. The information specified under point 1 shall be transmitted by the vessel to the Commission of the European Communities in Brussels by Telex (SAT COM C 420599543 FISH), electronic mail (FISHERIES-telecom@cec.eu.int) or via one of the radio stations listed under point 4 below and in the form specified under point 2.
- 3.2. If it is impossible for reasons of force majeure for the message to be transmitted by the vessel, it may be transmitted on the vessel's behalf by another vessel.
- 3.3. In the case a Flag State has the technical capability to send all above messages and contents in the so-called NAF-format on behalf of its operating vessels, that Flag State may — after bilateral agreement between the Flag State and the Commission — transmit this information via a secured transmission protocol to the Commission of the European Communities in Brussels. In that case, some extra information will be added — as a kind of envelope — to the transmission (after the AD information)

FR	m	(from; party alfa ISO-3 country code)
RN	m	(serial number of the record for the relevant year)
RD	m	(date of transmission in yyyyymmdd format)
RT	m	(time of transmission in hhmm format)

Example (with data of above)

```
//SR//AD/XEU//FR/NOR//RN/5//RD/20051004//RT/1320//SQ/1//TM/COE//
RC/IRCS//TN/1//NA/VESSEL NAME EXAMPLE//IR/NOR//XR/PO
12345//LT/+65.321//LG/-21.123//RA/04A.//OB/COD 100 HAD 300//
DA/20051004//TI/1315//MA/CAPTAIN NAME EXAMPLE//ER//
```

The Flag State will receive a 'return message' specifying:

SR	m	(= start of record)
AD	m	(ISO-3 country code of Flag State)
FR	m	XEU (= to Commission of the European Communities)
RN	m	(serial number of message in current year for which a 'return message' is sent)
TM	m	RET (= 'return')
SQ	m	(serial number of original message for that vessel in current year)
RC	m	(international radio call sign mentioned in original message)

▼B

RS	m	(return status — ACK or NAK)
RE	m	(return error number)
DA	m	(date of transmission in yyyyymmdd format)
TI	m	(time of transmission in hhmm format)
ER	m	(= end of record)

4. Name of the radio station

Name of radio station	Call sign of radio station
Lyngby	OXZ
Land's End	GLD
Valentia	EJK
Malin Head	EJM
Torshavn	OXJ
Bergen	LGN
Farsund	LGZ
Florø	LGL
Rogaland	LGQ
Tjøme	LGT
Ålesund	LGA
Ørlandet	LFO
Bodø	LPG
Svalbard	LGS

▼C1

Stockholm Radio	STOCKHOLM RADIO
-----------------	-----------------

▼B

Turku	OFK
-------	-----

5. Code to be used to indicate the species

Alfonsinos (<i>Beryx spp.</i>)	ALF
American plaice (<i>Hippoglossoides platessoides</i>)	PLA
Anchovy (<i>Engraulis encrasicolus</i>)	ANE
Angler/ Monk (<i>Lophius spp.</i>)	MNZ
Argentine (<i>Argentina silus</i>)	ARG
Atlantic pomfret (<i>Brama brama</i>)	POA
Basking shark (<i>Cetorhinus maximus</i>)	BSK
Black scabbardfish (<i>Aphanopus carbo</i>)	BSF
Blue ling (<i>Molva dypterygia</i>)	BLI
Blue whiting (<i>Micromesistius poutassou</i>)	WHB
Bob shrimp (<i>Xiphopenaeus kroyeri</i>)	BOB
Cod (<i>Gadus morhua</i>)	COD
Common shrimp (<i>Crangon crangon</i>)	CSH
Common squid (<i>Loligo spp.</i>)	SQC
Dogfish (<i>Squalus acanthias</i>)	DGS

▼B

Forkbeards (<i>Phycis spp.</i>)	FOR
Greenland halibut (<i>Reinhardtius hippoglossoides</i>)	GHL
Haddock (<i>Melanogrammus aeglefinus</i>)	HAD
Hake (<i>Merluccius merluccius</i>)	HKE
Halibut (<i>Hippoglossus hippoglossus</i>)	HAL
Herring (<i>Clupea harengus</i>)	HER
Horse-mackerel (<i>Trachurus trachurus</i>)	HOM
Ling (<i>Molva Molva</i>)	LIN
Mackerel (<i>Scomber Scombrus</i>)	MAC
Megrim (<i>Lepidorhombus spp.</i>)	LEZ
Northern deep-water prawn (<i>Pandalus borealis</i>)	PRA
Norway lobster (<i>Nephrops norvegicus</i>)	NEP
Norway pout (<i>Trisopterus esmarkii</i>)	NOP
Orange roughy (<i>Hoplostethus atlanticus</i>)	ORY
Other	OTH
Plaice (<i>Pleuronectes platessa</i>)	PLE
Pollack (<i>Pollachius pollachius</i>)	POL
Porbeagle (<i>Lamna nasus</i>)	POR
Redfish (<i>Sebastes spp.</i>)	RED
Red seabream (<i>Pagellus bogaraveo</i>)	SBR
Roundnose grenadier (<i>Coryphaenoides rupestris</i>)	RNG
Saithe (<i>Pollachius virens</i>)	POK
Salmon (<i>Salmo salar</i>)	SAL
Sandeel (<i>Ammodytes spp.</i>)	SAN
Sardine (<i>Sardina pilchardus</i>)	PIL
Shark (<i>Selachii, Pleurotremata</i>)	SKH
Shrimp (<i>Penaeidae</i>)	PEZ
Sprat (<i>Sprattus sprattus</i>)	SPR
Squid (<i>Illex spp.</i>)	SQX
Tuna (<i>Thunnidae</i>)	TUN
Tusk (<i>Brosme brosme</i>)	USK
Whiting (<i>Merlangus merlangus</i>)	WHG
Yellowtail flounder (<i>Limanda ferruginea</i>)	YEL

6. Codes to be used to indicate the relevant area

02A.	ICES division IIa — Norwegian Sea
02B.	ICES division IIb — Spitzbergen and Bear Island
03A.	ICES division IIIa — Skagerrak and Kattegat
03B.	ICES division IIIb
03C.	ICES division IIIc
03D.	ICES division IIId — Baltic Sea
04A.	ICES division IVa — Northern North Sea
04B.	ICES division IVb — Central North Sea
04C.	ICES division IVc — Southern North Sea

▼B

- 05A. ICES division Va — Iceland Grounds
- 05B. ICES division Vb — Faroes Grounds
- 06A. ICES division VIa — Northwest coast of Scotland and North Ireland
- 06B. ICES division VIb — Rockall
- 07A. ICES division VIIa — Irish Sea
- 07B. ICES division VIIb — West of Ireland
- 07C. ICES division VIIc — Porcupine Bank
- 07D. ICES division VIId — Eastern Channel
- 07E. ICES division VIIe — Western English Channel
- 07F. ICES division VIIf — Bristol Channel
- 07G. ICES division VIIg — Celtic Sea North
- 07H. ICES division VIIh — Celtic Sea South
- 07J. ICES division VIIj — South-West of Ireland — East
- 07K. ICES division VIIk — South-West of Ireland — West
- 08A. ICES division VIIIa- Bay of Biscay — North
- 08B. ICES division VIIIb — Bay of Biscay — Central
- 08C. ICES division VIIIc — Bay of Biscay — South
- 08D. ICES division VIId — Bay of Biscay — Offshore
- 08E. ICES division VIIIe — Bay of Biscay — West Bay
- 09A. ICES division IXa — Portuguese waters — East
- 09B. ICES division IXb — Portuguese waters — West
- 14A. ICES division XIVa — North-East Greenland
- 14B. ICES division XIVb — South-East Greenland

7. In addition to the provisions laid down in points 1 to 6 the following provisions shall apply to Third-Country vessels intending to fish for blue whiting in Community waters:

- (a) Vessels that already have catch on board may only commence their fishing trip after having received authorisation from the competent authority of the coastal Member State concerned. At least four hours prior to entering Community waters the master of the vessel shall notify as appropriate one of the following Fisheries Monitoring Centres:
 - (i) UK (Edinburgh) by e-mail at the following address: ukfcc@scotland.gsi.gov.uk or by telephone (+44 131 271 9700), or
 - (ii) Ireland (Haulbowline) by e-mail at the following address: nscstaff@eircom.net or by telephone (+353 87 236 5998).

The notification shall specify the name, international radio call sign and port letters and number (PLN) of the vessel, the total quantity by species on board and the position (longitude/latitude) where the master estimates that the vessel will enter Community waters as well as the area where he intends to commence fishing. The vessel shall not commence fishing until it has received acknowledgement of the notification and instructions on whether or not the master is required to present the vessel for inspection. Each acknowledgement shall have a unique authorisation number which the master shall retain until the fishing trip is terminated.

Notwithstanding any inspections that may be carried out at sea the competent authorities may in duly justified circumstances require a master to present his vessel for inspection in port.

- (b) Vessels that enter Community waters with no catch on board shall be exempt from the requirements laid down in paragraph a).

▼B

- (c) By way of derogation from the provisions of paragraph 1.2, the fishing trip shall be considered as being terminated when the vessel leaves Community waters or enters a Community port where its catch is fully discharged.

Vessels shall only leave Community waters after passing through one of the following control routes:

- A. ICES rectangle 48 E2 in Division VIa
- B. ICES rectangle 46 E6 in Division IVa
- C. ICES rectangles 48 E8, 49 E8 or 50 E8 in Division IVa.

The master of the vessel shall give at least four hours prior notification of entering one of the afore mentioned control routes to the Fisheries Monitoring Centre in Edinburgh by e-mail or telephone as provided for in paragraph 1. The notification shall specify the name, international radio call sign and port letters and number (PLN) of the vessel, the total quantity by species on board and the control route through which the vessel intends to pass.

The vessel shall not leave the area within the control route until it has received acknowledgement of the notification and instructions on whether or not the master is required to present the vessel for inspection. Each acknowledgement shall have a unique authorisation number which the master shall retain until the vessel leaves Community waters.

Notwithstanding any inspections that may be carried out at sea the competent authorities may in duly justified circumstances require a master to present his vessel for inspection in the ports of Lerwick or Scrabster.

- (d) Vessels that transit through Community waters must stow their nets so that they may not readily be used in accordance with the following conditions:
- (i) nets, weights and similar gear shall be disconnected from their trawl boards and towing and hauling wires and ropes,
 - (ii) nets which are on or above deck shall be securely lashed to some part of the superstructure.



ANNEX VII

LIST OF SPECIES

Common English Name	Scientific Name	3-Alpha Code
Groundfish		
Atlantic Cod	<i>Gadus morhua</i>	COD
Haddock	<i>Melanogrammus aeglefinus</i>	HAD
Atlantic redfishes	<i>Sebastes sp.</i>	RED
Golden redfish	<i>Sebastes marinus</i>	REG
Beaked redfish (deepwater)	<i>Sebastes mentella</i>	REB
Acadian redfish	<i>Sebastes fasciatus</i>	REN
Silver hake	<i>Merluccius bilinearis</i>	HKS
Red hake (*)	<i>Urophycis chuss</i>	HKR
Pollock (=Saithe)	<i>Pollachius virens</i>	POK
American plaice	<i>Hippoglossoides platessoides</i>	PLA
Witch flounder	<i>Glyptocephalus cynoglossus</i>	WIT
Yellowtail flounder	<i>Limanda ferruginea</i>	YEL
Greenland halibut	<i>Reinhardtius hippoglossoides</i>	GHL
Atlantic halibut	<i>Hippoglossus hippoglossus</i>	HAL
Winter flounder	<i>Pseudopleuronectes americanus</i>	FLW
Summer flounder	<i>Paralichthys dentatus</i>	FLS
Windowpane flounder	<i>Scophthalmus aquosus</i>	FLD
Flatfishes (NS)	<i>Pleuronectiformes</i>	FLX
American angler (=Goosefish)	<i>Lophius americanus</i>	ANG
Atlantic searobins	<i>Prionotus sp.</i>	SRA
Atlantic tomcod	<i>Microgadus tomcod</i>	TOM
Blue antimora	<i>Antimora rostrata</i>	ANT
Blue whiting	<i>Micromesistius poutassou</i>	WHB
Cunner	<i>Tautoglabrus adspersus</i>	CUN
Cusk (=Tusk)	<i>Brosme brosme</i>	USK
Greenland cod	<i>Gadus ogac</i>	GRC
Blue ling	<i>Molva dypterygia</i>	BLI
Ling	<i>Molva molva</i>	LIN
Lumpfish =(Lumpsucker)	<i>Cyclopterus lumpus</i>	LUM
Northern kingfish	<i>Menticirrhus saxatilis</i>	KGF
Northern puffer	<i>Sphoeroides maculatus</i>	PUF
Eelpouts (NS)	<i>Lycodes sp.</i>	ELZ
Ocean pout	<i>Macrozoarces americanus</i>	OPT
Polar cod	<i>Boreogadus saida</i>	POC
Roundnose grenadier	<i>Coryphaenoides rupestris</i>	RNG
Roughhead grenadier	<i>Macrourus berglax</i>	RHG
Sandeels (=Sand Lances)	<i>Ammodytes sp.</i>	SAN
Sculpins	<i>Myoxocephalus sp.</i>	SCU
Scup	<i>Stenotomus chrysops</i>	SCP
Tautog	<i>Tautoga onitis</i>	TAU
Tilefish	<i>Lopholatilus chamaeleonticeps</i>	TIL
White hake (*)	<i>Urophycis tenuis</i>	HKW
Wolffishes (NS)	<i>Anarhicas sp.</i>	CAT
Atlantic wolffish	<i>Anarhichas lupus</i>	CAA
Spotted wolffish	<i>Anarhichas minor</i>	CAS
Groundfish (NS)		GRO
Pelagics		
Atlantic herring	<i>Clupea harengus</i>	HER
Atlantic mackerel	<i>Scomber scombrus</i>	MAC

▼B

Common English Name	Scientific Name	3-Alpha Code
Atlantic butterfish	<i>Peprilus triacanthus</i>	BUT
Atlantic menhaden	<i>Brevoortia tyrannus</i>	MHA
Atlantic saury	<i>Scomberesox saurus</i>	SAU
Bay anchovy	<i>Anchoa mitchilli</i>	ANB
Bluefish	<i>Pomatomus saltatrix</i>	BLU
Crevalle jack	<i>Caranx hippos</i>	CVJ
Frigate tuna	<i>Auxis thazard</i>	FRI
King mackerel	<i>Scomberomourus cavalla</i>	KGM
Atlantic Spanish mackerel	<i>Scomberomourus maculatus</i>	SSM
Sailfish	<i>Istiophorus platypterus</i>	SAI
White marlin	<i>Tetrapturus albidus</i>	WHM
Blue marlin	<i>Makaira nigricans</i>	BUM
Swordfish	<i>Xiphias gladius</i>	SWO
Albacore tuna	<i>Thunnus alalunga</i>	ALB
Atlantic bonito	<i>Sarda sarda</i>	BON
Little tunny	<i>Euthynnus alletteratus</i>	LTA
Bigeye tunny	<i>Thunnus obesus</i>	BET
Northern bluefin tuna	<i>Thunnus thynnus</i>	BFT
Skipjack tuna	<i>Katsuwonus pelamis</i>	SKJ
Yellowfin tuna	<i>Thunnus albacares</i>	YFT
Tunas (NS)	<i>Scombridae</i>	TUN
Pelagic fish (NS)		PEL
Invertebrates		
Long-finned squid (<i>Loligo</i>)	<i>Loligo pealei</i>	SQL
Short-finned squid (<i>Illex</i>)	<i>Illex illecebrosus</i>	SQI
Squids (NS)	Loliginidae, Ommastrephidae	SQU
Atlantic razor clam	<i>Ensis directus</i>	CLR
Hard clam	<i>Mercenaria mercenaria</i>	CLH
Ocean quahog	<i>Arctica islandica</i>	CLQ
Soft clam	<i>Mya arenaria</i>	CLS
Surf clam	<i>Spisula solidissima</i>	CLB
Stimpson's surf clam	<i>Spisula polynyma</i>	CLT
Clams (NS)	Prionodesmacea, Teleodesmacea	CLX
Bay scallop	<i>Argopecten irradians</i>	SCB
Calico scallop	<i>Argopecten gibbus</i>	SCC
Marine worms (NS)	<i>Polycheata</i>	WOR
Horseshoe crab	<i>Limulus polyphemus</i>	HSC
Marine invertebrates (NS)	<i>Invertebrata</i>	INV
Iceland scallop	<i>Chylamys islandica</i>	ISC
Sea scallop	<i>Placopecten magellanicus</i>	SCA
Scallops (NS)	Pectinidae	SCX
American cupped oyster	<i>Crassostrea virginica</i>	OYA
Blue mussel	<i>Mytilus edulis</i>	MUS
Whelks (NS)	<i>Busycon sp.</i>	WHX
Periwinkles (NS)	<i>Littorina sp.</i>	PER
Marine molluscs (NS)	<i>Mollusca</i>	MOL
Atlantic rock crab	<i>Cancer irroratus</i>	CRK
Blue crab	<i>Callinectes sapidus</i>	CRB
Green crab	<i>Carcinus maenas</i>	CRG
Jonah crab	<i>Cancer borealis</i>	CRJ
Queen crab	<i>Chionoecetes opilio</i>	CRQ
Red crab	<i>Geryon quinqueedens</i>	CRR
Stone king crab	<i>Lithodes maia</i>	KCT

▼B

Common English Name	Scientific Name	3-Alpha Code
Marine crabs (NS)	<i>Reptantia</i>	CRA
American lobster	<i>Homarus americanus</i>	LBA
Northern prawn	<i>Pandalus borealis</i>	PRA
Aesop shrimp	<i>Pandalus montagui</i>	AES
Penaeus shrimps (NS)	<i>Penaeus sp.</i>	PEN
Pink (=Pandalid) shrimps	<i>Pandalus sp.</i>	PAN
Marine crustaceans (NS)	<i>Crustacea</i>	CRU
Sea-urchin	<i>Strongylocentrotus sp.</i>	URC
Other Fish		
Alewife	<i>Alosa pseudoharengus</i>	ALE
Amberjacks	<i>Seriola sp.</i>	AMX
American conger	<i>Conger oceanicus</i>	COA
American eel	<i>Anguilla rostrata</i>	ELA
Atlantic hagfish	<i>Myxine glutinosa</i>	MYG
American shad	<i>Alosa sapidissima</i>	SHA
Argentines (NS)	<i>Argentina sp.</i>	ARG
Atlantic croaker	<i>Micropogonias undulatus</i>	CKA
Atlantic needlefish	<i>Strongylura marina</i>	NFA
Atlantic salmon	<i>Salmo salar</i>	SAL
Atlantic silverside	<i>Menidia menidia</i>	SSA
Atlantic thread herring	<i>Opisthonema oglinum</i>	THA
Barid's slickhead	<i>Alepocephalus bairdii</i>	ALC
Black drum	<i>Pogonias cromis</i>	BDM
Black seabass	<i>Centropristis striata</i>	BSB
Blueback herring	<i>Alosa aestivalis</i>	BBH
Capelin	<i>Mallotus villosus</i>	CAP
Chars (NS)	<i>Salvelinus sp.</i>	CHR
Cobia	<i>Rachycentron canadum</i>	CBA
Common (Florida) pompano	<i>Trachinotus carolinus</i>	POM
Gizzard shad	<i>Dorosoma cepedianum</i>	SHG
Grunts (NS)	<i>Pomadasyidae</i>	GRX
Hickory shad	<i>Alosa mediocris</i>	SHH
Lanternfish	<i>Notoscopelus sp.</i>	LAX
Mulletts (NS)	<i>Mugilidae</i>	MUL
North atlantic harvestfish	<i>Peprilus alepidotus (=paru)</i>	HVF
Pigfish	<i>Orthopristis chrysoptera</i>	PIG
Rainbow smelt	<i>Osmerus mordax</i>	SMR
Red drum	<i>Sciaenops ocellatus</i>	RDM
Red porgy	<i>Pagrus pagrus</i>	RPG
Rough scad	<i>Trachurus lathami</i>	RSC
Sand perch	<i>Diplectrum formosum</i>	PES
Sheepshead	<i>Archosargus probatocephalus</i>	SPH
Spot croaker	<i>Leiostomus xanthurus</i>	SPT
Spotted weakfish	<i>Cynoscion nebulosus</i>	SWF
Squeteague (Gray Weakfish)	<i>Cynoscion regalis</i>	STG
Striped bass	<i>Morone saxatilis</i>	STB
Sturgeons (NS)	<i>Acipenseridae</i>	STU
Tarpon	<i>Tarpon (=megalops) atlanticus</i>	TAR
Trouts (NS)	<i>Salmo sp.</i>	TRO
White perch	<i>Morone americana</i>	PEW
Alfonsinos (NS)	<i>Beryx sp.</i>	ALF
Spiny (=picked) dogfish	<i>Squalus acantias</i>	DGS
Dogfishes (NS)	<i>Squalidae</i>	DGX

▼B

Common English Name	Scientific Name	3-Alpha Code
Sand Tiger shark	<i>Odontaspis taurus</i>	CCT
Porbeagle	<i>Lamna nasus</i>	POR
Shortfin mako shark	<i>Isurus oxyrinchus</i>	SMA
Dusky shark	<i>Carcharhinus obscurus</i>	DUS
Great Blue shark	<i>Prionace glauca</i>	BSH
Large sharks (NS)	<i>Squaliformes</i>	SHX
Atlantic Sharpnose shark	<i>Rhizoprionodon terraenovae</i>	RHT
Black Dogfish	<i>Centroscyllium fabricii</i>	CFB
Boreal (Greenland) shark	<i>Somniosus microcephalus</i>	GSK
Basking shark	<i>Cetorhinus maximus</i>	BSK
Skates (NS)	<i>Raja sp.</i>	SKA
Little skate	<i>Leucoraja erinacea</i>	RJD
Arctic skate	<i>Amblyraja hyperborea</i>	RJG
Barndoor skate	<i>Dipturus laevis</i>	RJL
Winter skate	<i>Leucoraja ocellata</i>	RJT
Thorny skate (Starry Ray)	<i>Amblyraja radiata</i>	RJR
Smooth skate	<i>Malcoraja senta</i>	RJS
Spinytail skate (Spinetail Ray)	<i>Bathyraja spinicauda</i>	RJO
Finfishes (NS)		FIN

(*) In accordance with a recommendation adopted by STACRES at the 1970 Annual Meeting (ICNAF Redbook 1970, Part I, Page 67), hakes of the Genus *Urophycis* are designated as follows for statistical reporting: (a) hake reported from Subareas 1, 2, and 3, and Divisions 4R, S, T and V be designated as white hake, *Urophycis tenuis*; (b) hake taken by line gears or any hake greater than 55 cm standard length, regardless of how caught, from Divisions 4W and X, Subarea 5 and Statistical Area 6 be designated as white hake, *Urophycis tenuis*; (c) Except as noted in (b), other hake of the Genus *Urophycis* taken in Divisions 4W and X, Subarea 5 and Statistical Area 6 be designated as red hake, *Urophycis chuss*.



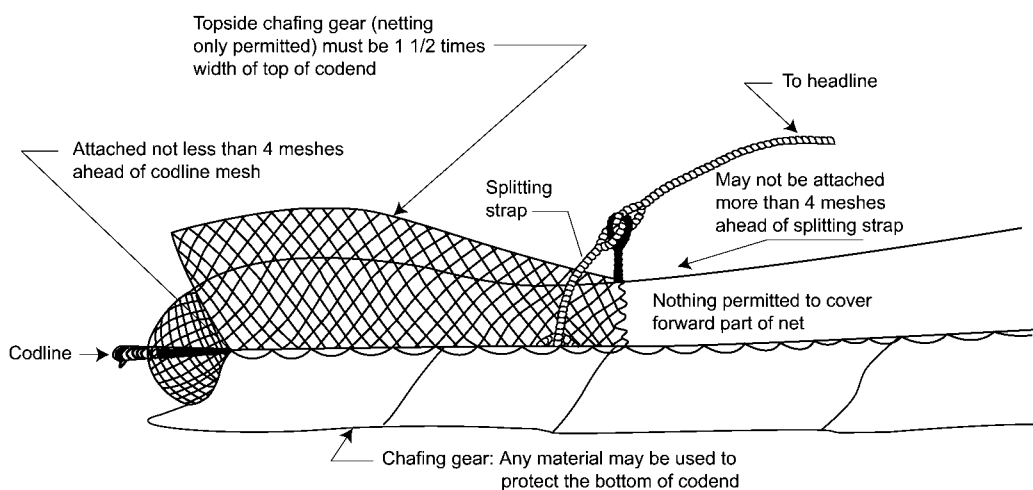
ANNEX VIII

AUTHORISED TOPSIDE CHAFERS

1. ICNAF-type topside chafer

The ICNAF-type topside chafer is a rectangular piece of netting to be attached to the upper side of the codend of the trawl net to reduce and prevent damage so long as such netting conforms to the following conditions:

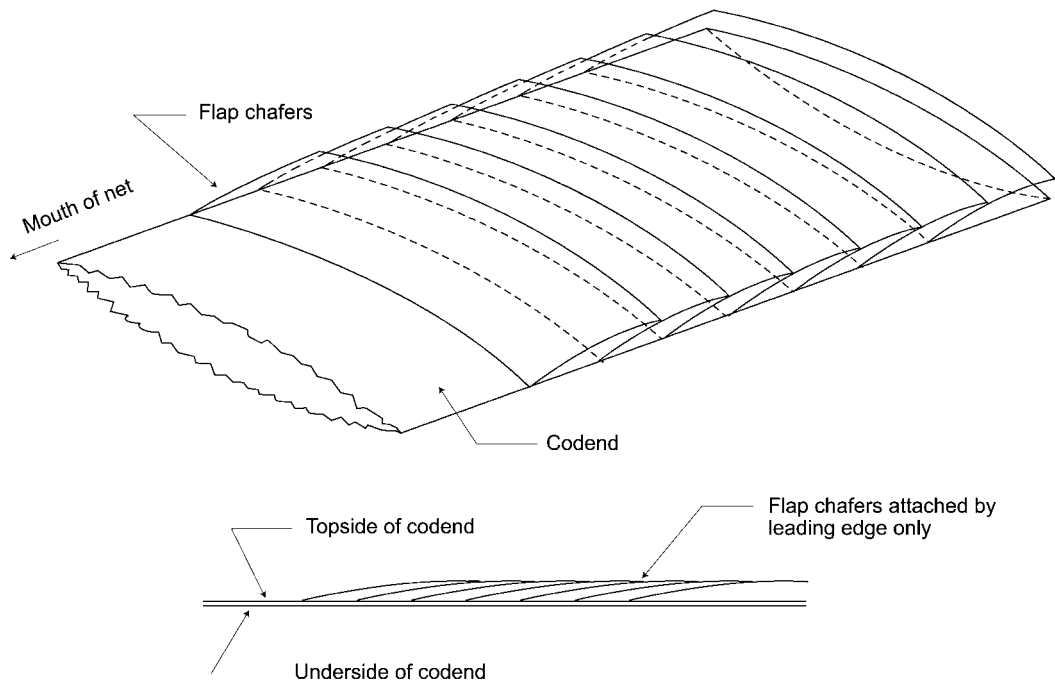
- (a) this netting shall have a mesh size not less than that specified for the codend in Article 27;
- (b) this netting may be fastened to the codend only along the forward and lateral edges of the netting and at no other place in it, and shall be fastened in such a manner that it extends forward of the splitting strap no more than four meshes and ends not less than four meshes in front of the cod line mesh; where a splitting strap is not used, the netting shall not extend to more than one-third of the codend measured from not less than four meshes in front of the cod line mesh;
- (c) the width of this netting shall be at least one and a half times the width of the area of the codend which is covered, such widths to be measured at right angles to the long axis of the codend.



▼ B**2. Multiple flap-type topside chafer**

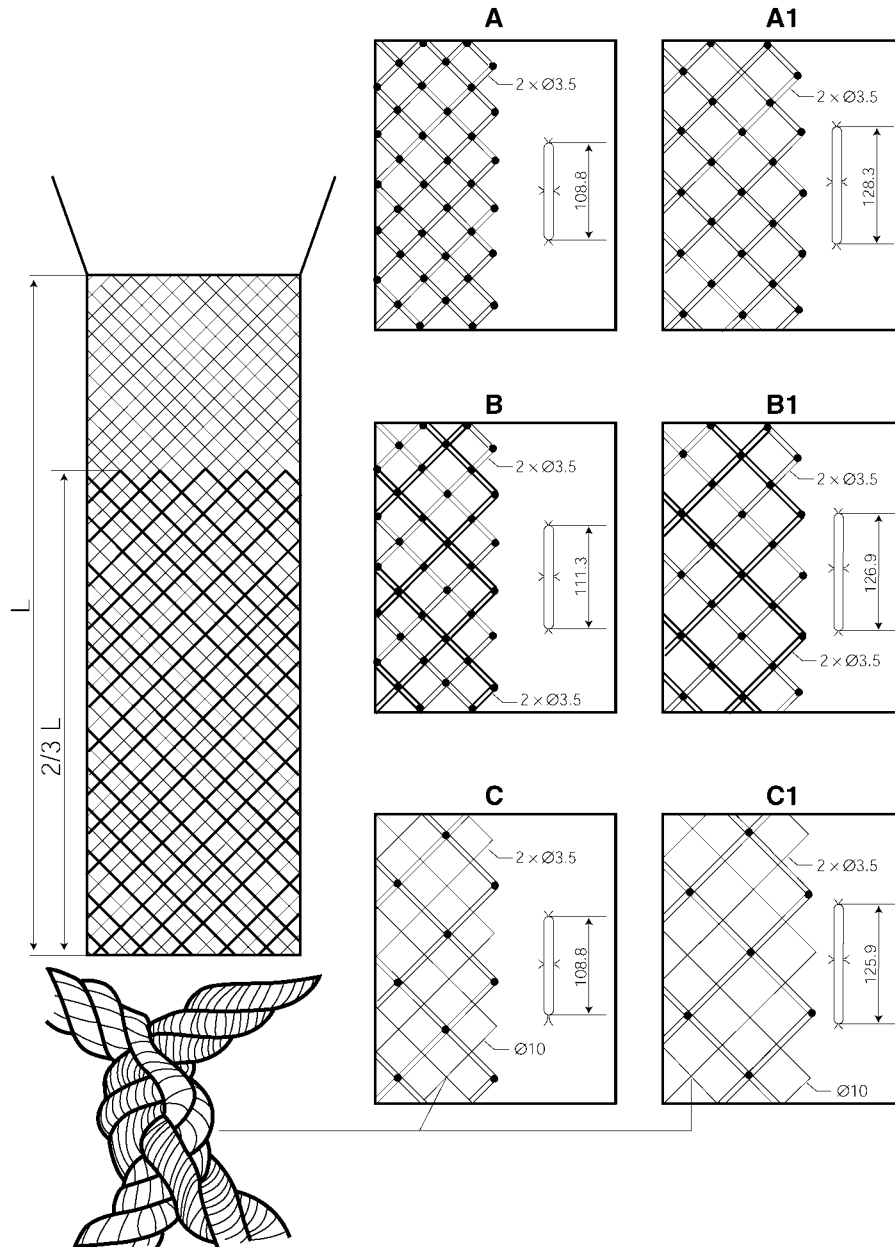
The multiple flap-type topside chafer is defined as pieces of netting having in all their parts meshes the size of which, whether the pieces of netting are wet or dry, is not less than that of the codend, provided that:

- (i) each piece of netting
 - (a) is fastened by its forward edge only across the codend at right angles to its long axis;
 - (b) is of a width of at least the width of the codend (such width being measured at right angles to the long axis of the codend at the point of attachment); and
 - (c) is not more than ten meshes long; and
- (ii) the aggregate length of all the pieces of netting so attached does not exceed two-thirds of the length of the codend.



▼B**POLISH CHAFER****3. Large-mesh (modified Polish-type) topside chafer**

The large-mesh topside chafer consists of a rectangular piece of netting made of the same twine material as the codend, or of a single, thick, knotless twine material, attached to the rear portion of the upper side of the codend and extending over all or any part of the upper side of the codend and having in all its parts a mesh size twice that of the codend when measured wet and fastened to the codend along the forward, lateral and rear edges only of the netting in such a way that each mesh of the netting coincides with four meshes of the codend.



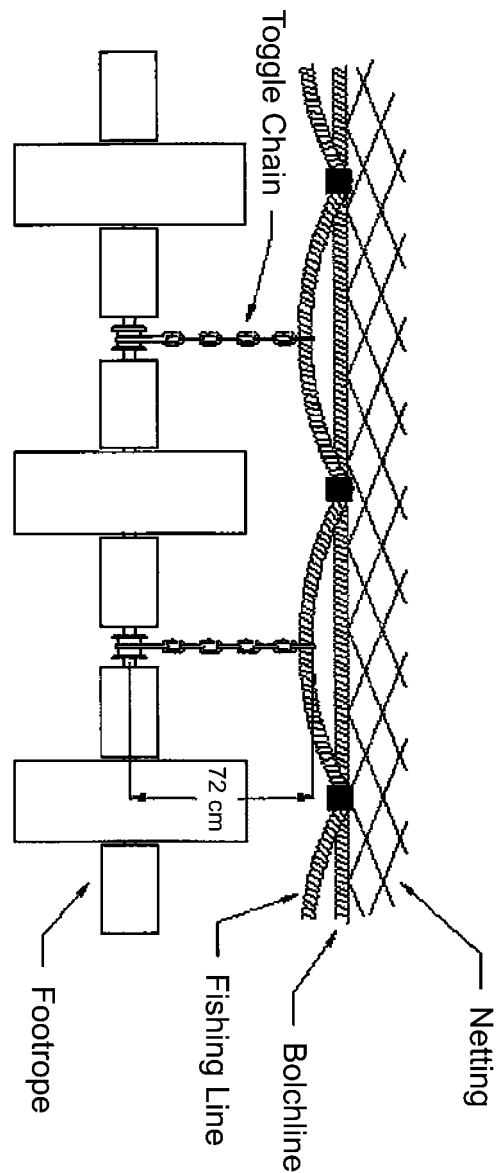
▼B

ANNEX IX

SHRIMP TRAWL TOGGLE CHAINS: NAFO AREA

Toggle chains are chains, ropes, or a combination of both, which attach the footrope to the fishing line or bolchline at varying intervals. The terms 'fishing line' and 'bolchline' are interchangeable. Some vessels use one line only; others use both a fishing line and a bolchline as shown in the sketch. The toggle chain length shall be measured from the center of the chain or wire running through the footrope (center of footrope) to the underside of the fishing line.

The attached sketch shows how to measure the toggle chain length.



▼B*ANNEX X***MINIMUM FISH SIZE (*)**

Species	Gilled and gutted fish whether or not skinned; fresh or chilled, frozen, or salted.			
	Whole	Head off	Head and Tail Off	Head Off and Split
Atlantic Cod	41 cm	27 cm	22 cm	27/25 cm (**)
Greenland halibut	30 cm	N/A	N/A	N/A
American plaice	25 cm	19 cm	15 cm	N/A
Yellowtail flounder	25 cm	19 cm	15 cm	N/A

(*) Fish size refers to fork length for Atlantic cod; whole length for other species.

(**) Lower size for green salted fish.



ANNEX XI

RECORDING OF CATCH (LOGBOOK ENTRIES)

FISHING LOGBOOK ENTRIES

Item of Information	Standard Code
Vessel name	01
Vessel nationality	02
Vessel registration number	03
Registration port	04
Types of gear used (separate record for different gear types)	10
Type of gear	
Date	
— day	20
— month	21
— year	22
Position	
— latitude	31
— longitude	32
— statistical area	33
No. of hauls during the 24-hour period ⁽¹⁾	40
No. of hours gear fished during the 24-hour period ⁽¹⁾	41
Species names (Annex I)	
Daily catch of each species (metric tons round fresh weight)	50
Daily catch of each species for human consumption in the Form of fish	61
Daily catch of each species for reduction	62
Daily discard of each species	63
Place(s) of trans-shipment	70
Date(s) of trans-shipment	71
Master's signature	80

⁽¹⁾ When two or more types of gear are used in the same 24-hour period, records should be separate for the different types.



GEAR CODES

Gear Categories	Standard Abbreviation Code
Surrounding nets	
With purse lines (purse seines)	PS
— One boat operated purse seines	PS1
— Two boat operated purse seines	PS2
Without purse lines (lampara)	LA
Seine nets	SB
Boat or vessel seines	SV
— Danish seines	SDN
— Scottish seines	SSC
— Pair seines	SPR
Seine nets (not specified)	SX
Trawls	
Pots	FPO
Bottom trawls	
— Beam trawls	TBB
— Otter trawls (1)	OTB
— Pair trawls	PTB
— Nephrops trawls	TBN
— Shrimp trawls	TBS
— Bottom trawls (not specified)	TB
Midwater trawls	
— Otter trawls	OTM
— Pair trawls	PTM
— Shrimp trawls	TMS
— Midwater trawls (not specified)	TM
Otter twin trawls	OTT
Otter trawls (not specified)	OT
Pair trawls (not specified)	PT
Other trawls (not specified)	TX
Gillnets and entangling nets	
Set gillnets (anchored)	GNS
Drift nets	GND
Encircling gillnets	GNC
Fixed gillnets (on stakes)	GNF
Trammel nets	GTR
Combined gillnets-Trammel nets	GTN
Gillnets and entangling nets (not specified)	GEN
Gillnets (not specified)	GN
Traps	
Stationary uncovered pound-nets	FPN
Fyke nets	FYK

▼ **B**

Gear Categories	Standard Abbreviation Code
Stow nets	FSN
Barriers, fences, weirs, etc.	FWR
Aerial traps	FAR
Traps (not specified)	FIX
Hooks and lines	
Hand-lines and pole-lines (hand operated) ⁽²⁾	LHP
Hand-lines and pole-lines (mechanized) ⁽²⁾	LHM
Set lines (longlines set)	LLS
Drifting longlines	LLD
Longlines (not specified)	LL
Trolling lines	LTL
Hooks and lines (not specified) ⁽²⁾	LX
Grappling and wounding	
Harpoons	HAR
Dredges	
Boat dredges	DRB
Hand dredges	DRH
Lift nets	
Portable lift nets	LNP
Boat operated lift nets	LNB
Shore operated stationary lift nets	LNS
Lift nets (not specified)	LN
Falling gear	
Cast nets	FCN
Falling Gear (not specified)	FG
Harvesting machines	
Pumps	HMP
Mechanized dredges	HMD
Harvesting machines (not specified)	HMX
Miscellaneous gear ⁽⁴⁾	MIS
Recreational fishing gear	RG
Gear not known or not specified	NK

⁽¹⁾ Fisheries agencies may indicate side and stern bottom and side and stern midwater trawls, as OTB-1 and OTB-2, and OTM-1 and OTM-2, respectively.

⁽²⁾ Including jigging lines.

⁽³⁾ Code LDV for dory operated line gears will be maintained for historical data purposes.

⁽⁴⁾ This item includes: hand and landing nets, drive-in-nets, gathering by hand with simple hand implements with or without diving equipment, poisons and explosives, trained animals, electrical fishing.



FISHING VESSEL CODES

A. Main Vessel Types

FAO Code	Type of vessel
BO	Protection vessel
CO	Fish training vessel
DB	Dredger non continuous
DM	Dredger continuous
DO	Beamer
DOX	Dredger NEI
FO	Fish carrier
FX	Fishing vessel NEI
GO	Gill netter
HOX	Mother ship NEI
HSF	Factory mother ship
KO	Hospital ship
LH	Hand liner
LL	Long liner
LO	Liner
LP	Pole and line vessel
LT	Troller
MO	Multipurpose vessels
MSN	Seiner hand liner
MTG	Trawler drifter
MTS	Trawler purse seiner
NB	Lift netter tender
NO	Lift netter
NOX	Lift netter NEI
PO	Vessel using pumps
SN	Seine netter
SO	Seiner
SOX	Seiner NEI
SP	Purse seiner
SPE	Purse seiner european
SPT	Tuna purse seiner
TO	Trawler
TOX	Trawlers NEI
TS	Side trawler
TSF	Side trawler freezer
TSW	Side trawler wetfish
TT	Stern trawler
TTF	Stern trawler freezer
TTP	Stern trawler factory
TU	Outrigger trawlers
WO	Trap setter

▼B

FAO Code	Type of vessel
WOP	Pot vessels
WOX	Trap setters NEI
ZO	Fish research vessel
DRN	Drifnetter

NEI = Not Elsewhere Identified

B. Main vessel activities

Alfa Code	Category
ANC	Anchoring
DRI	Drifting
FIS	Fishing
HAU	Hauling
PRO	Processing
STE	Steaming
TRX	Trans-shipping on or off loading
OTH	Others — to be specified

▼ BANNEX XII
NAFO AREA

The list that follows is a partial list of stocks that needs to be reported in accordance with Article 29 (2).

ANG/N3NO	<i>Lophius americanus</i>	American angler
CAA/N3LMN	<i>Anarhichas lupus</i>	Atlantic wolffish
CAP/N3LM	<i>Mallotus villosus</i>	Capelin
CAT/N3LMN	<i>Anarhichas</i> spp.	Catfishes (Wolffishes) nei
HAD/N3LNO	<i>Melanogrammus aeglefinus</i>	Haddock
HAL/N23KL	<i>Hippoglossus hippoglossus</i>	Atlantic halibut
HAL/N3M	<i>Hippoglossus hippoglossus</i>	Atlantic halibut
HAL/N3NO	<i>Hippoglossus hippoglossus</i>	Atlantic halibut
HER/N3L	<i>Clupea harengus</i>	Herring
HKR/N2J3KL	<i>Urophycis chuss</i>	Red hake
HKR/N3MNO	<i>Urophycis chuss</i>	Red hake
HKS/N3NLMO	<i>Merluccius bilinearis</i>	Silver hake
RNG/N23	<i>Coryphaenoides rupestris</i>	Roundnose grenadier
HKW/N2J3KL	<i>Urophycis tenuis</i>	White hake
POK/N3O	<i>Pollachius virens</i>	Pollock (=Saithe)
RHG/N23	<i>Macrourus berglax</i>	Roughhead grenadier
SKA/N2J3KL	<i>Raja</i> spp.	Skates
SKA/N3M	<i>Raja</i> spp.	Skates
SQI/N56	<i>Illex illecebrosus</i>	Short fin squid
VFF/N3LMN	—	Fishes unsorted, unidentified
WIT/N3M	<i>Glyptocephalus cynoglossus</i>	Witch flounder
YEL/N3M	<i>Limanda ferruginea</i>	Yellow tail flounder



ANNEX XIII

PROHIBITION OF DIRECTED FISHING IN CCAMLR AREA

Target species	Zone	Period of prohibition
<i>Notothernia rossii</i>	FAO 48.1 Antarctic, in the Peninsula Area FAO 48.2 Antarctic, around the South Orkneys FAO 48.3 Antarctic, around South Georgia	All year
Finfish	FAO 48.1 Antarctic ⁽¹⁾ FAO 48.2 Antarctic ⁽¹⁾	All year
<i>Gobionotothen gibberifrons</i> <i>Chaenocephalus aceratus</i> <i>Pseudochaenichthys georgianus</i> <i>Lepidonotothen squamifrons</i> <i>Patagonotothen guntheri</i>	FAO 48.3	All year
<i>Dissostichus</i> spp	FAO 48.5 Antarctic	1.12.2005 to 30.11.2006
<i>Dissostichus</i> spp	FAO 88.3 Antarctic ⁽¹⁾ FAO 58.5.1 Antarctic ⁽¹⁾ ⁽²⁾ FAO 58.5.2 Antarctic east of 79°20'E and outside the EEZ to the west of 79°20'E ⁽¹⁾ FAO 88.2 Antarctic north of 65°S ⁽¹⁾ FAO 58.4.4 Antarctic ⁽¹⁾ FAO 58.6 Antarctic ⁽¹⁾ FAO 58.7 Antarctic ⁽¹⁾	All year
<i>Lepidonotothen squamifrons</i>	FAO 58.4.4 ⁽¹⁾	All year
All species except <i>Chamsocephalus gunnari</i> and <i>Dissostichus eleginoides</i>	FAO 58.5.2 Antarctic	1.12.2005 to 30.11.2006
<i>Dissostichus mawsoni</i>	FAO 48.4 Antarctic ⁽¹⁾	All year

⁽¹⁾ Except for scientific research purposes.

⁽²⁾ Excluding waters subject to national jurisdiction (EEZs).



ANNEX XIV

CATCH AND BY-CATCH LIMITS FOR NEW AND EXPLORATORY FISHERIES IN THE AREA OF CCAMLR IN 2005/06

Subarea/ Division	Region	Season	SSRU	<i>Dissostichus</i> spp. Catch Limit (tonnes)	By-catch Catch Limit (tonnes)		
					Skates and rays	<i>Macrourus</i> spp.	Other species
58.4.1	All Division	1.12.2005 to 30.11.2006	A B C D E F G H Total Subarea	0 0 200 0 200 0 200 0 600	All Division: 50	All Division: 96	All Division: 20
58.4.2	All Division	1.12.2005 to 30.11.2006	A B C D E Total Subarea	260 0 260 0 260 780	All Division: 50	All Division: 124	All Division: 20
58.4.3a)	All Division outside Areas of National Jurisdiction	1.05 to 31.08.2006	N/A	250	All Division: 50	All Division: 26	All Division: 20
58.4.3b)	All Division outside Areas of National Jurisdiction	1.05 to 31.08.2006	N/A	300	All Division: 50	All Division: 159	All Division: 20
88.1	All Subarea	1.12.2005 to 31.08.2006	A B, C, G D E F H, I, K J L Total Subarea	0 348 ⁽¹⁾ 0 0 0 1 893 ⁽¹⁾ 551 ⁽¹⁾ 172 ⁽¹⁾ 2 964 ⁽¹⁾	0 50 ⁽¹⁾ 0 0 0 95 ⁽¹⁾ 50 ⁽¹⁾ 50 ⁽¹⁾ 148 ⁽¹⁾	0 56 ⁽¹⁾ 0 0 0 303 ⁽¹⁾ 88 ⁽¹⁾ 28 ⁽¹⁾ 474 ⁽¹⁾	0 60 ⁽¹⁾ 0 0 0 60 ⁽¹⁾ 20 ⁽¹⁾ 20 ⁽¹⁾ 0
88.2	All Subarea	1.12.2005 to 31.08.2006	A B C, D, F, G E Total Subarea	0 0 214 ⁽¹⁾ 273 ⁽¹⁾ 487 ⁽¹⁾ Total Subarea	0 0 50 ⁽¹⁾ 50 ⁽¹⁾ 50 ⁽¹⁾ Total Subarea	0 0 34 ⁽¹⁾ 44 ⁽¹⁾ 78 ⁽¹⁾ Total Subarea	0 0 20 ⁽¹⁾ 20 ⁽¹⁾ 0 Total Subarea

⁽¹⁾ Rules for catch limits for by-catch species per SSRU, applicable within total by-catch limits per Subarea:

- Skates and rays: 5 % of the catch limit for *Dissostichus* spp. or 50 tonnes, whichever is greatest
- *Macrourus* spp.: 16 % of the catch limit for *Dissostichus* spp.
- Other species: 20 tonnes per SSRU.