

Council Directive of 24 June 1980 on the approximation of the laws of the Member States relating to the operating space, access to the driving position and the doors and windows of wheeled agricultural or forestry tractors (80/720/EEC) (repealed)

COUNCIL DIRECTIVE

of 24 June 1980

on the approximation of the laws of the Member States relating to the operating space, access to the driving position and the doors and windows of wheeled agricultural or forestry tractors

(80/720/EEC) (repealed)

THE COUNCIL OF THE EUROPEAN COMMUNITIES,

Having regard to the Treaty establishing the European Economic Community, and in particular Article 100 thereof

Having regard to the proposal from the Commission⁽¹⁾,

Having regard to the opinion of the European Parliament⁽²⁾,

Having regard to the opinion of the Economic and Social Committee⁽³⁾,

Whereas the technical requirements which tractors must satisfy pursuant to national laws relate *inter alia* to the operating space, access to the driving position (means of entry and exit), and the doors and windows;

Whereas these requirements differ from one Member State to another; whereas it is therefore necessary that all Member States adopt the same requirements, either in addition to or in place of their existing rules, in order in particular to allow the EEC type-approval procedure which forms the subject of Council Directive 74/150/EEC of 4 March 1974 on the approximation of the laws of the Member States relating to the type-approval of wheeled agricultural or forestry tractors⁽⁴⁾, as amended by Directive 79/694/EEC⁽⁵⁾, to be introduced in the case of each type of tractor,

HAS ADOPTED THIS DIRECTIVE:

[^{F1}Article 1

1 For the purposes of this Directive, 'tractor' means a tractor as defined in Article 2(j) of Directive 2003/37/EC of the European Parliament and of the Council⁽⁶⁾,

For the purposes of this Directive, the tractor categories defined in Annex II to Directive 2003/37/EC shall apply.

2 This Directive shall apply to tractor categories T1, T3 and T4 as defined in Annex II to Directive 2003/37/EC.

This Directive shall not apply to tractors of category T4.3 where the driver's seat index point, as determined in Annex II to Directive 2009/144/EC of the European Parliament and of the Council⁽⁷⁾ is more than 100 mm from the median longitudinal plane of the tractor.]

Status: EU Directives are being published on this site to aid cross referencing from UK legislation. After IP completion day (31 December 2020 11pm) no further amendments will be applied to this version.

Textual Amendments

- F1** Substituted by [Commission Directive 2010/62/EU of 8 September 2010 amending, for the purpose of adapting their technical provisions, Council Directives 80/720/EEC and 86/297/EEC and Directives 2003/37/EC, 2009/60/EC and 2009/144/EC of the European Parliament and of the Council relating to the type-approval of agricultural or forestry tractors \(Text with EEA relevance\).](#)

Article 2

No Member State may refuse EEC type-approval or national type-approval of a tractor or refuse or prohibit the sale, registration, entry into service or use of a tractor on grounds relating to:

- the operating space,
- access to the driving position (means of entry and exit),
- doors and windows,

where these comply with the requirements of Annex I.

Article 3

Any amendments necessary to adapt the requirements of Annex I to technical progress shall be adopted in accordance with the procedure laid down in Article 13 of Directive 74/150/EEC.

Article 4

1 Member States shall bring into force the provisions necessary in order to comply with this Directive within 18 months of its notification and shall forthwith inform the Commission thereof.

2 Member States shall ensure that the texts of the main provisions of national law which they adopt in the field covered by this Directive are communicated to the Commission.

Article 5

This Directive is addressed to the Member States.

ANNEX I

I. Operating space

- I.1. 'Operating space' means the minimum volume of space between any fixed parts of the structure which is available to the driver of the tractor to enable him to operate the tractor from his seat in any way required with complete safety.

'Seat reference point' means the reference point determined by the method described in Appendix 1.

'Reference plane' means the plane parallel to the median longitudinal plane of the tractor passing through the seat reference point.

- [^{F1}I.2. For all tractors with the exception of narrow tractors with track width $\leq 1\ 150$ mm and those that fall within category T4.3, the width of the operating space must be at least 900 mm, from 400 to 900 mm above the reference point and over a length of 450 mm forward of that point (see Figures 1 and 3).

For tractors of category T4.3, the operating space must, over the zone extending to 450 mm in front of the reference point, have at a height of 400 mm above the reference point, a total width of at least 700 mm, and at a height of 900 mm above the reference point, a total width of at least 600 mm.]

- I.3. Vehicle parts and accessories must not hamper the driver when driving the tractor.
- I.4. For all positions of the steering column and the steering wheel [^{F2}with the exception of those intended solely for entry and exit], the clearance between the base of the steering wheel and the fixed parts of the tractor must be at least 50 mm; in all other directions this clearance must be at least 80 mm from the rim of the steering wheel, as measured from outside the area occupied by the steering wheel (see Figure 2).

Textual Amendments

- F2** Inserted by [Commission Directive of 22 June 1988 adapting to technical progress Council Directive 80/720/EEC on the approximation of the laws of the Member States relating to the operating space, access to the driving position and the doors and windows of wheeled agricultural and forestry tractors \(88/414/EEC\)](#).

- I.5. The rear wall of the cab from 300 to 900 mm above the seat reference point must be a minimum of 150 mm behind a vertical plane which is perpendicular to the reference plane and passes through the reference point (see Figures 2 and 3).

This wall must have a width of at least 300 mm on either side of the seat reference plane (see Figure 3).

- I.6. The manual controls must be located in relation to one another and to the other parts of the tractor so that no danger of injury to the operator's hands arises from their operation.

Where the force required to operate a control exceeds 150 N, a clearance of 50 mm will be considered adequate and where the force is between 80 N and 150 N, a clearance of 25 mm will suffice. Any clearance will be accepted in relation to controls where the operating force required is less than 80 N (see Figure 3).

Status: EU Directives are being published on this site to aid cross referencing from UK legislation. After IP completion day (31 December 2020 11pm) no further amendments will be applied to this version.

Alternative locations for the controls which achieve equally satisfactory safety standards are acceptable.

I.7. No [^{F2}rigid] point on the roof must be less than 1 050 mm from the seat reference point in a section situated forward of a vertical plane passing through the reference point and perpendicular to the reference plane (see Figure 2). [^{F2}The padding may extend downwards to 1 000 mm above the seat reference point.]

[^{F2}1.8. The radius of curvature of the surface between the rear panel of the cab and the roof of the cab may extend up to a maximum of 150 mm.]

II. Access to the driving position (means of entry and exit)

II.1. It must be possible to use the means of entry and exit without danger. Wheel hubs, hub caps or wheel rims are not acceptable as steps or rungs.

II.2. The points of access to the driving position and to the passenger seat must be free of any parts liable to cause injury. Where an obstruction such as a clutch pedal is present, a step or footrest must be provided to ensure safe access to the driving position.

II.3. Steps, integral foot recesses and rungs must have the following dimensions:

depth clearance:	150 mm minimum,
width clearance:	250 mm minimum, (Values lower than this minimum width are authorized only where justified as being necessary on technical grounds. Where this is the case, the aim must be to achieve the greatest possible width clearance. It must not, however, be less than 150 mm.)
height clearance:	120 mm minimum,
distance between surface of two steps:	300 mm maximum (see Figure 4).

II.4. The upper step or rung must be easily identifiable and accessible for a person leaving the vehicle. The vertical distance between successive steps or rungs must as far as possible be equal.

II.5. Appropriate handholds must be provided for all the means of entry and exit.

II.6 The lowest foothold must not be more than 550 mm above the ground when the tractor is fitted with the largest tyre size recommended by the manufacturer (see Figure 4). Steps or rungs must be designed and constructed in such a way that feet will not slip on them.

III. Doors, windows and emergency exits

III.1. The devices operating the doors and windows must be designed and installed in such a way that they neither constitute a danger to the driver nor impede him while driving.

III.2. The opening angle of the door must permit entry and exit without danger.

III.3. Ventilation windows [^{F2}if any] must be easily adjustable.

^{F3}III.4.

Textual Amendments

- F3** Deleted by Commission Directive 2010/22/EU of 15 March 2010 amending, for the purposes of their adaptation to technical progress, Council Directives 80/720/EEC, 86/298/EEC, 86/415/EEC and 87/402/EEC and Directives 2000/25/EC and 2003/37/EC of the European Parliament and of the Council relating to the type-approval of agricultural or forestry tractors (Text with EEA relevance).

III.5. Two-door cabs must have one extra exit constituting an emergency exit.

Single-door cabs must have two extra exits constituting emergency exits.

Each of the three exits must be on a different cab wall (the term ‘wall’ may include the roof). Windscreens and side, rear and roof windows may be regarded as emergency exits if provision is made to open them [^{F2}or to move them]quickly from inside the cab.

The surrounds of emergency exits must present no danger on exit.

Emergency exits must have the minimum dimensions required to circumscribe an ellipse with a minor axis of 440 mm and a major axis of 640 mm.

[^{F4}Any window of sufficient size may be designated as an emergency exit if they are made of breakable glass and can be broken with a tool provided in the cab for that purpose. Glass referred to in Appendices 3, 4, 5, 6 and 7 of Annex III B to Council Directive 89/173/EEC⁽⁸⁾ is not considered to be breakable glass for the purpose of this Directive.]

Textual Amendments

- F4** Inserted by Commission Directive 2010/22/EU of 15 March 2010 amending, for the purposes of their adaptation to technical progress, Council Directives 80/720/EEC, 86/298/EEC, 86/415/EEC and 87/402/EEC and Directives 2000/25/EC and 2003/37/EC of the European Parliament and of the Council relating to the type-approval of agricultural or forestry tractors (Text with EEA relevance).

Status: EU Directives are being published on this site to aid cross referencing from UK legislation. After IP completion day (31 December 2020 11pm) no further amendments will be applied to this version.

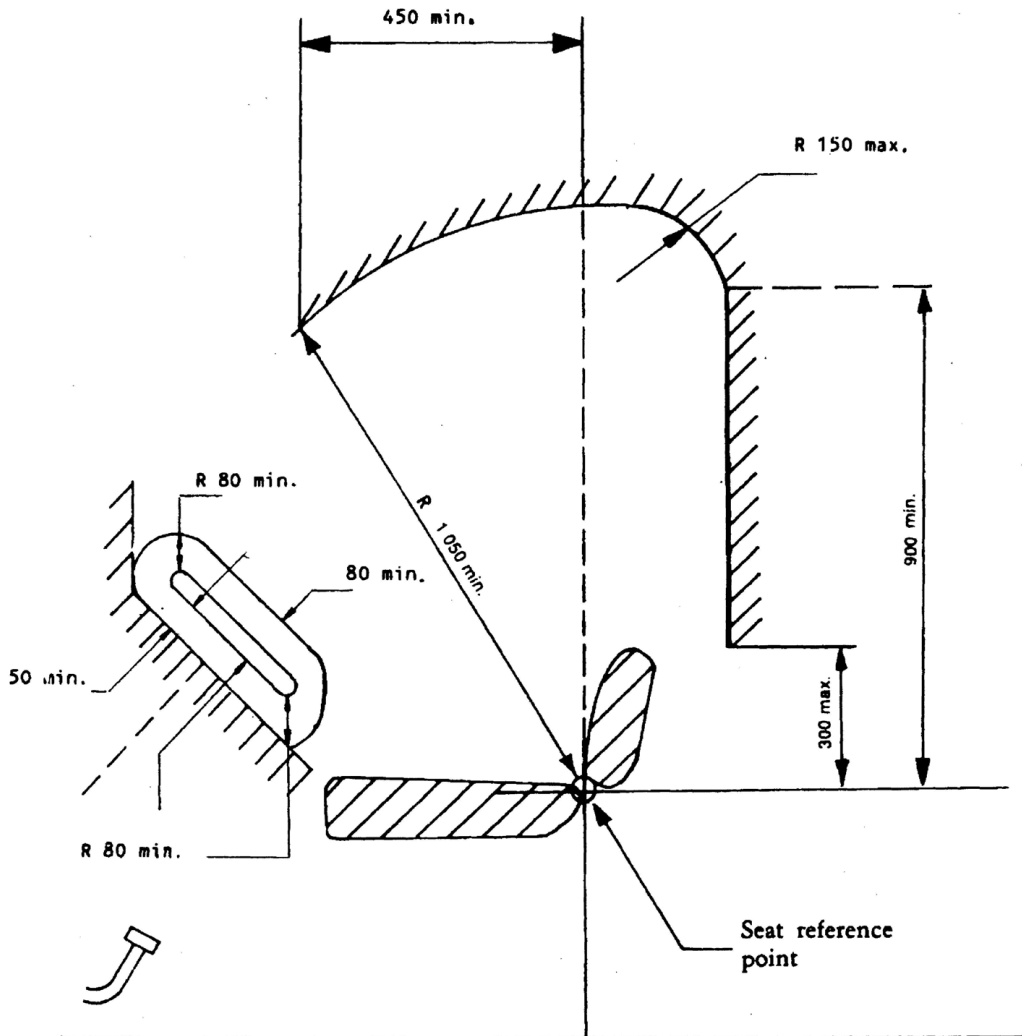
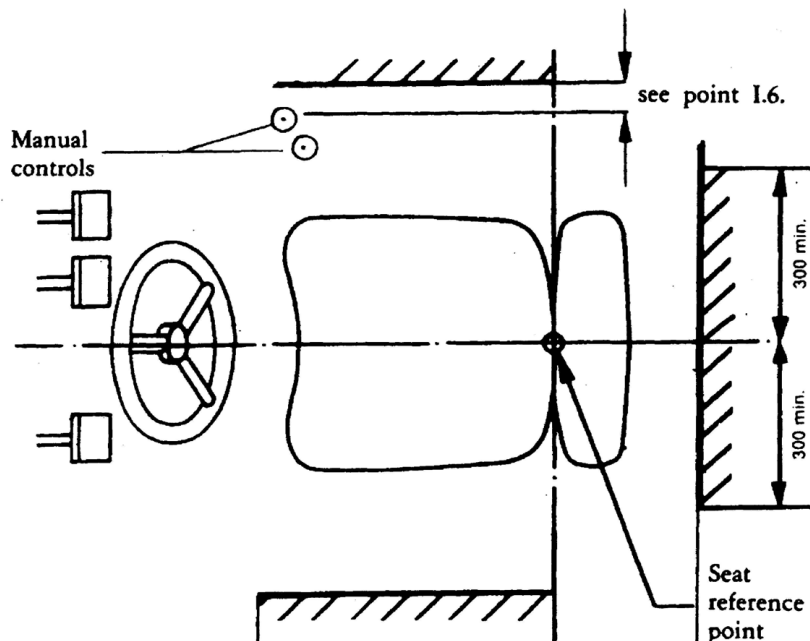


Figure 2
(Dimensions in millimetres)



Status: EU Directives are being published on this site to aid cross referencing from UK legislation. After IP completion day (31 December 2020 11pm) no further amendments will be applied to this version.

.....

Textual Amendments

- F5** Substituted by [Commission Directive of 22 June 1988](#) adapting to technical progress Council Directive 80/720/EEC on the approximation of the laws of the Member States relating to the operating space, access to the driving position and the doors and windows of wheeled agricultural and forestry tractors (88/414/EEC).

Status: EU Directives are being published on this site to aid cross referencing from UK legislation. After IP completion day (31 December 2020 11pm) no further amendments will be applied to this version.

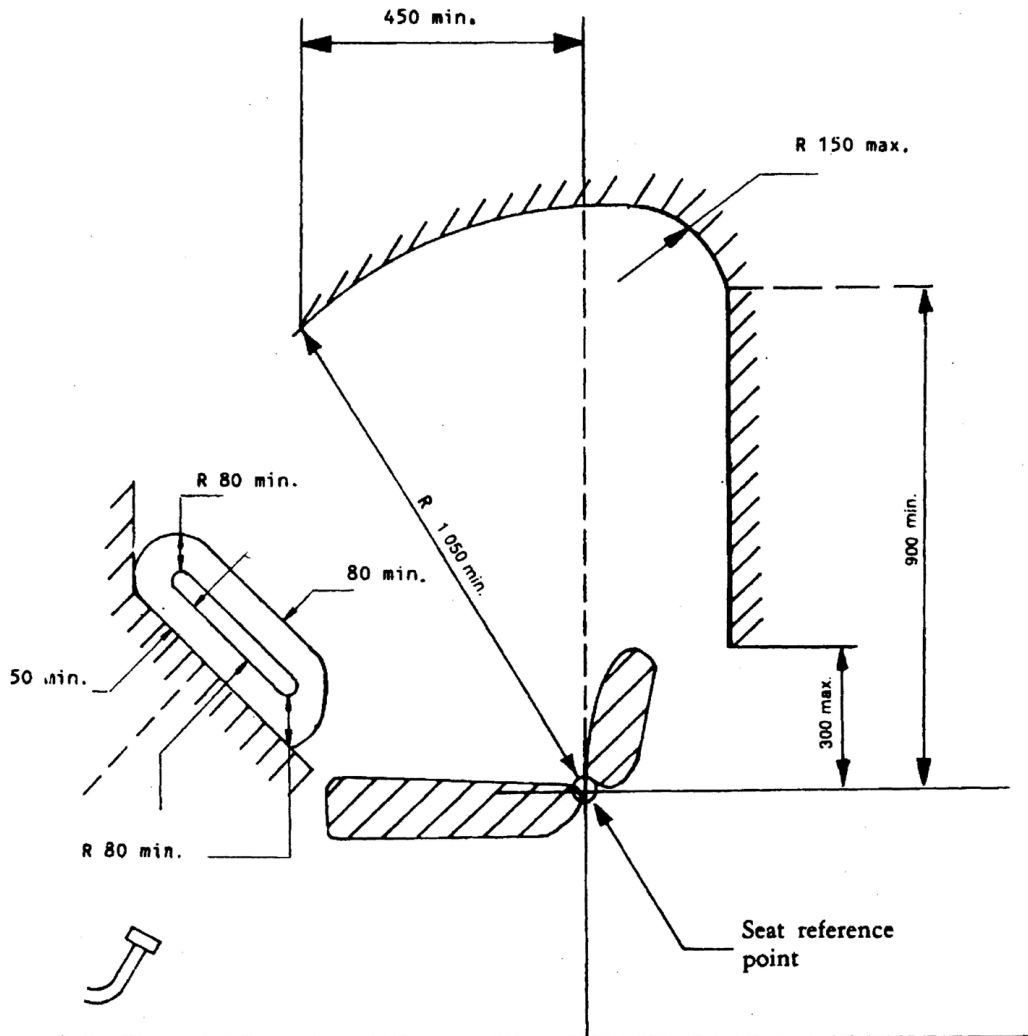
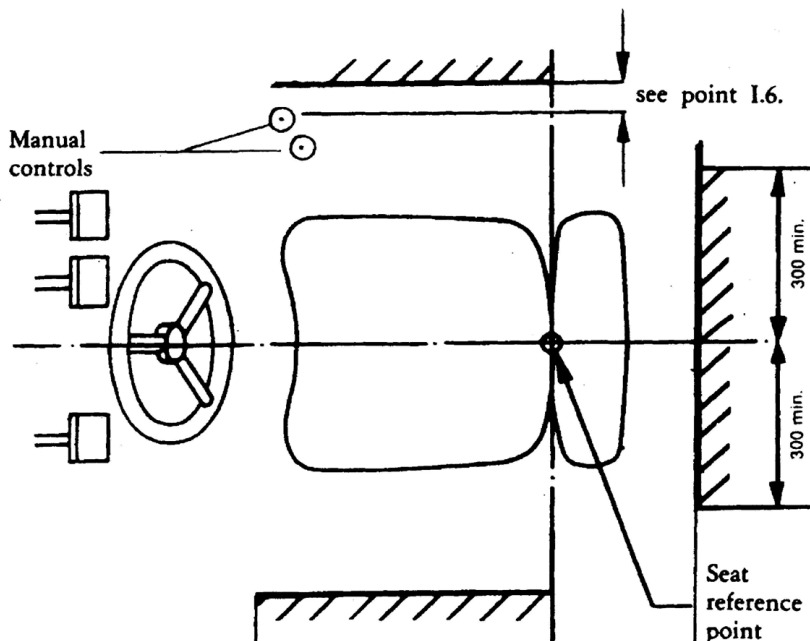


Figure 2
(Dimensions in millimetres)



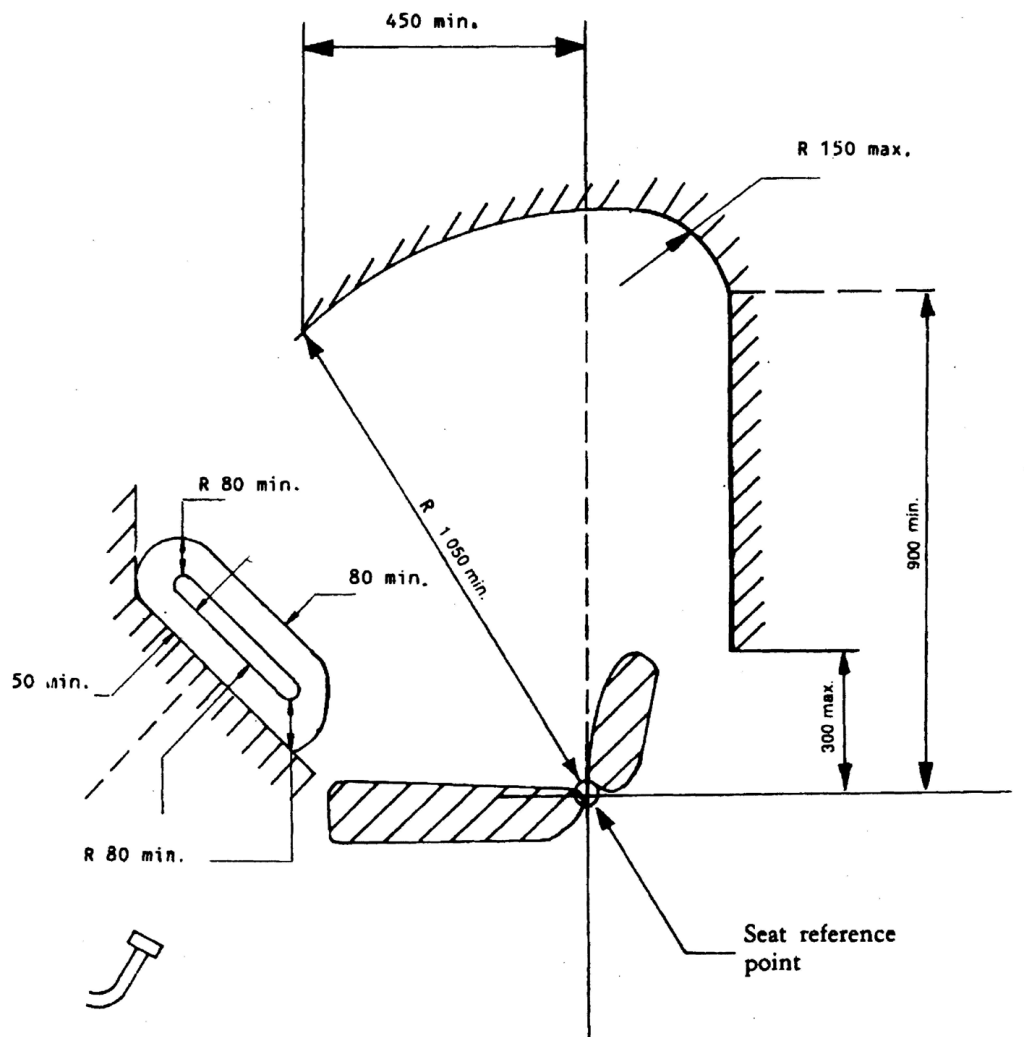
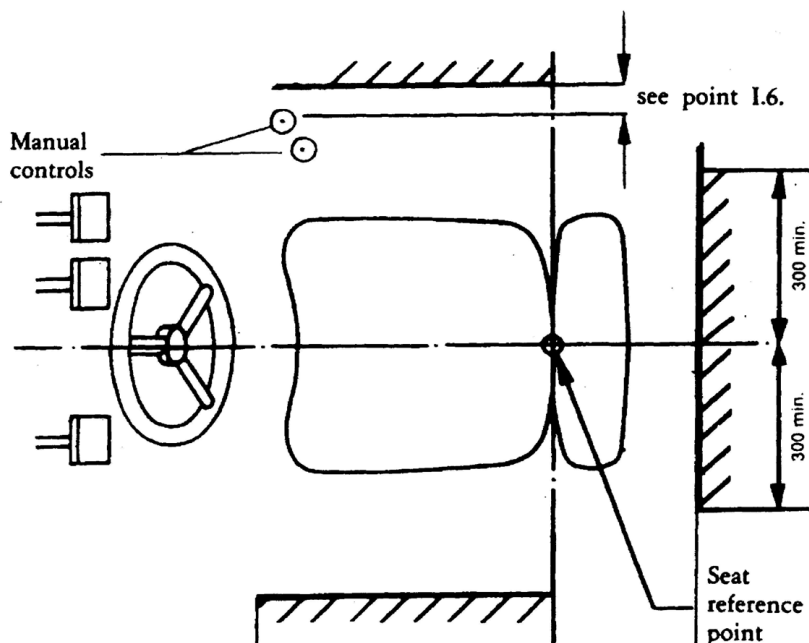


Figure 2
(Dimensions in millimetres)



Appendix 1

METHOD OF DETERMINING THE SEAT REFERENCE POINT (S)

1. Definition of the reference point (S)

‘Seat reference point’ (S) means the point of intersection in the median longitudinal plane of the seat between the tangential plane at the base of the padded backrest and a horizontal plane. This horizontal plane intersects the lower surface of the seat 150 mm in front of the seat reference point (S).

2. Positioning of the seat

The seat must be set in the rearmost longitudinal position and at the mid-point of the height adjustment range. Seats having a suspension system, whether or not adjustable according to the driver's weight, must be set at the mid-point of the suspension travel.

3. Device for determining the seat reference point (S)

The device illustrated in Figure 1 consists of a seat pan board and backrest boards. The lower backrest board must be hinged in the region of the ischium humps (A) and the loin (B), the hinge (B) being adjustable in height.

4. Method of determining the seat reference point (S)

The seat reference point (S) must be obtained by using the device illustrated in Figures 1 and 2, which simulates loading by a human occupant. The device must be positioned on the seat. It must then be loaded with a force of 550 N at a point 50 mm in front of hinge (A) and two parts of the backrest lightly pressed tangentially against the padded backrest.

If it is not possible to determine definite tangents to each area of the padded backrest (below and above the lumbar region) the following procedure must be adopted:

- (a) where there is no possibility of defining the tangent to the lowest possible area, the lower part of the backrest board in a vertical position must be lightly pressed against the padded backrest;
- (b) where there is no possibility of defining the tangent to the highest possible area, if the lower part of the backrest board is vertical, the hinge (B) must be fixed at a height of 230 mm above the seat reference point (S). The two parts of the backrest board in a vertical position must then be lightly pressed tangentially against the padded backrest.

Status: EU Directives are being published on this site to aid cross referencing from UK legislation. After IP completion day (31 December 2020 11pm) no further amendments will be applied to this version.

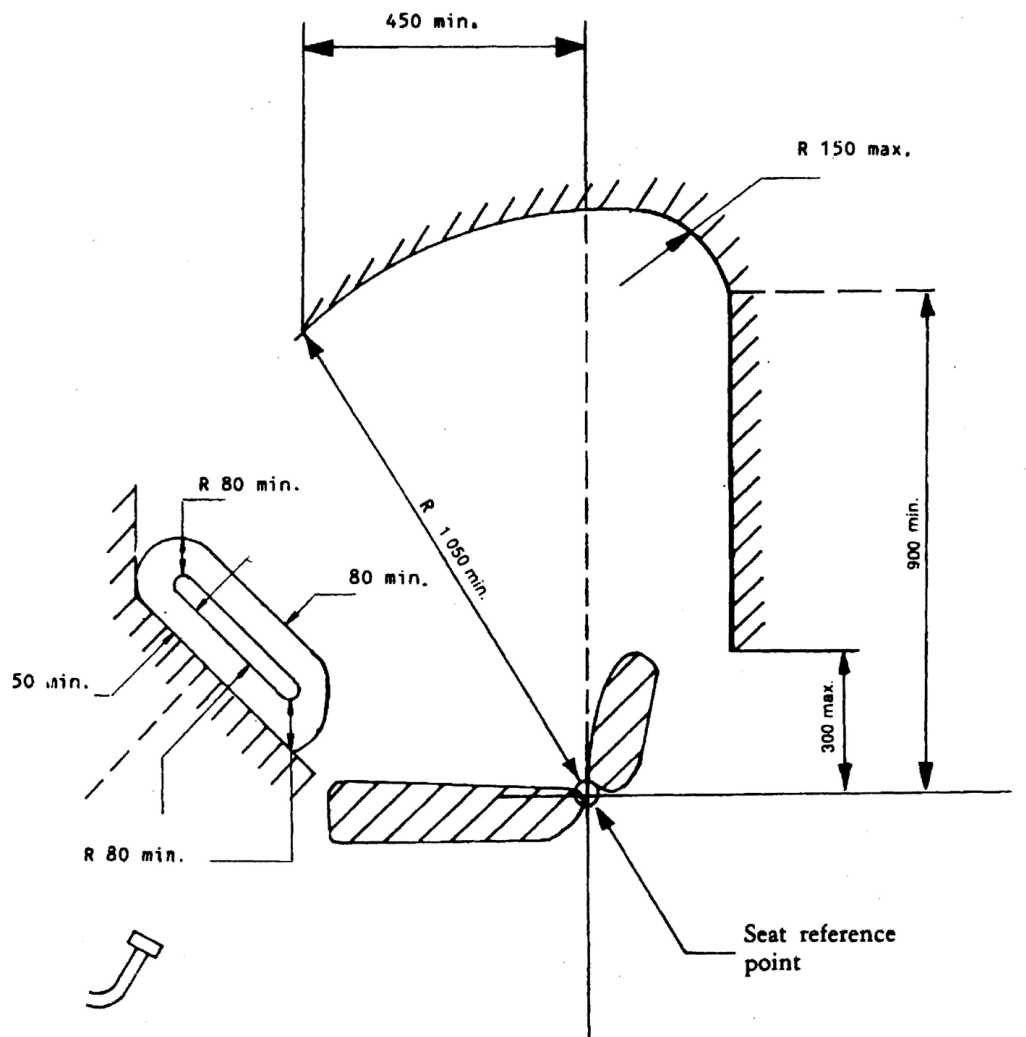
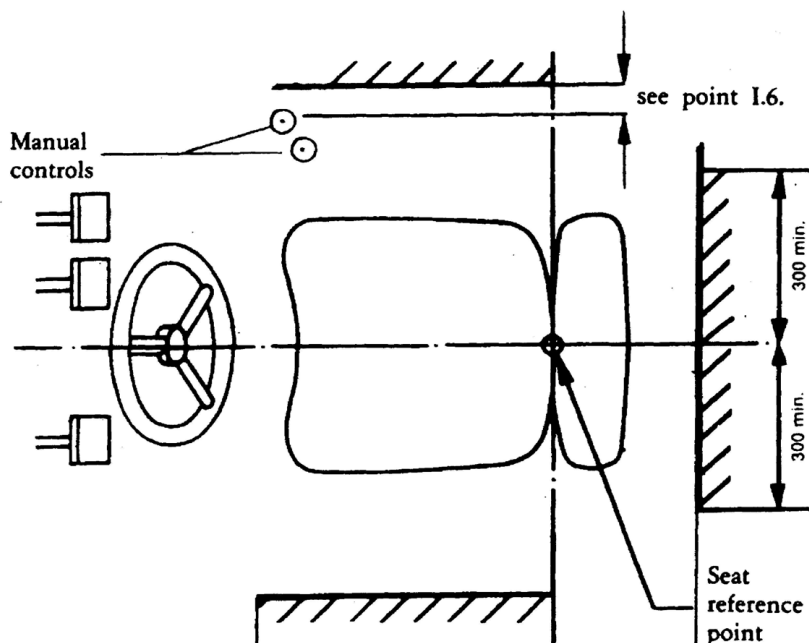


Figure 2
(Dimensions in millimetres)



Status: EU Directives are being published on this site to aid cross referencing from UK legislation. After IP completion day (31 December 2020 11pm) no further amendments will be applied to this version.

ANNEX II

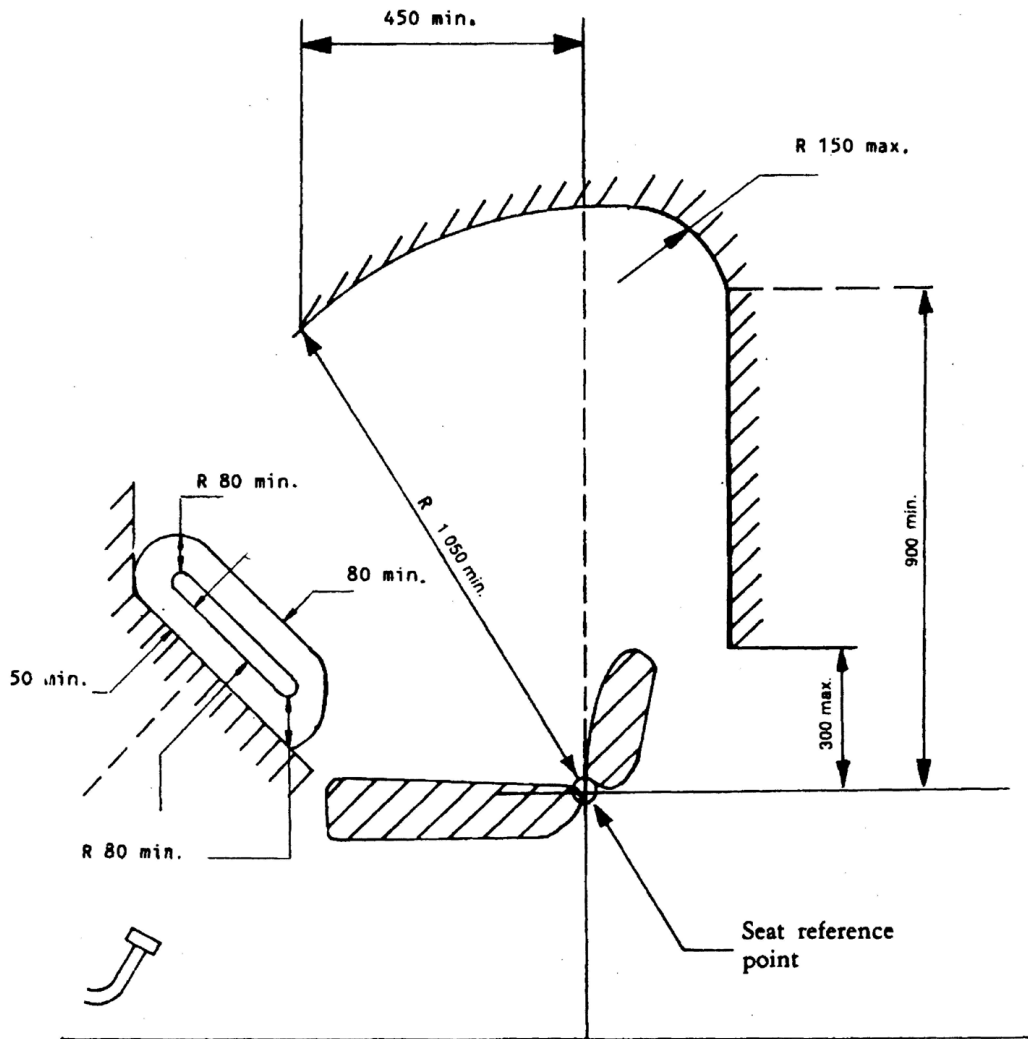
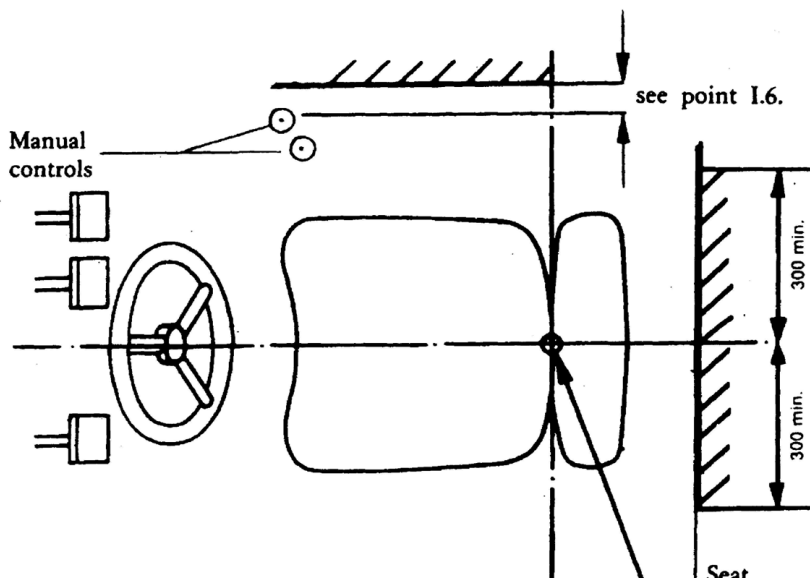


Figure 2
(Dimensions in millimetres)



Status: *EU Directives are being published on this site to aid cross referencing from UK legislation. After IP completion day (31 December 2020 11pm) no further amendments will be applied to this version.*

Status: EU Directives are being published on this site to aid cross referencing from UK legislation. After IP completion day (31 December 2020 11pm) no further amendments will be applied to this version.

- (1) OJ No C 25, 29. 1. 1979, p. 30.
- (2) OJ No C 127, 21. 5. 1979, p. 80.
- (3) OJ No C 227, 10. 9. 1979, p. 34.
- (4) OJ No L 84, 28. 3. 1974, p. 10.
- (5) OJ No L 205, 13. 8. 1979, p. 17.
- (6) [^{F1}OJ L 171, 9.7.2003, p. 1.
- (7) OJ L 27, 30.1.2010, p. 33.]
- (8) [^{F4}OJ L 67, 10.3.1989, p. 1.]

Textual Amendments

- F1** Substituted by Commission Directive 2010/62/EU of 8 September 2010 amending, for the purpose of adapting their technical provisions, Council Directives 80/720/EEC and 86/297/EEC and Directives 2003/37/EC, 2009/60/EC and 2009/144/EC of the European Parliament and of the Council relating to the type-approval of agricultural or forestry tractors (Text with EEA relevance).
- F4** Inserted by Commission Directive 2010/22/EU of 15 March 2010 amending, for the purposes of their adaptation to technical progress, Council Directives 80/720/EEC, 86/298/EEC, 86/415/EEC and 87/402/EEC and Directives 2000/25/EC and 2003/37/EC of the European Parliament and of the Council relating to the type-approval of agricultural or forestry tractors (Text with EEA relevance).